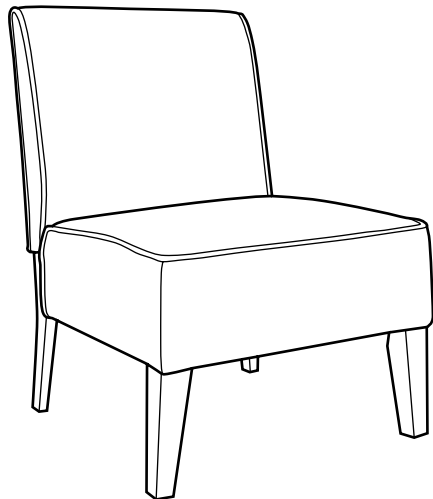
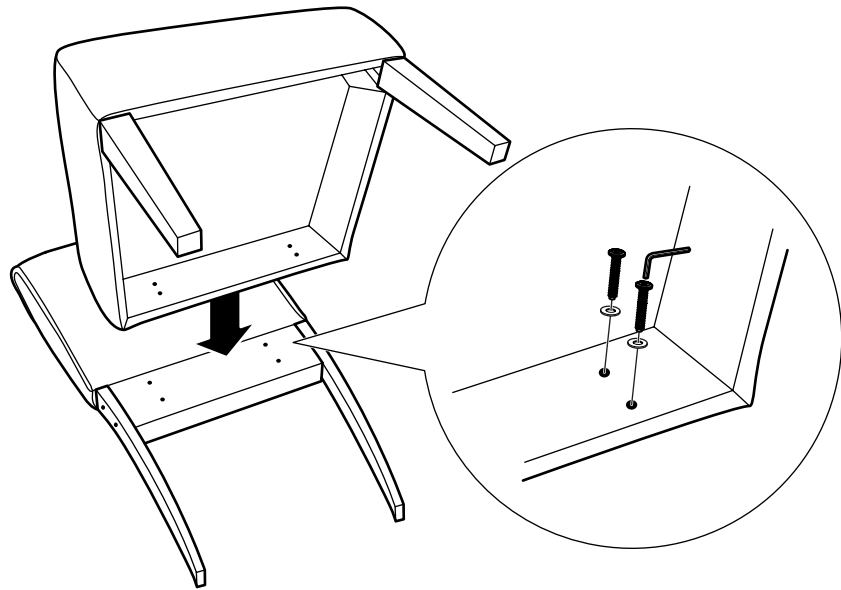


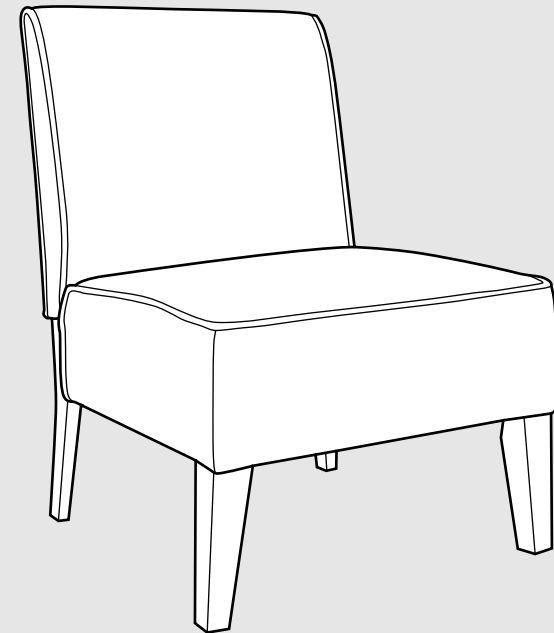
3



Model: \_\_\_\_\_

Lot No: \_\_\_\_\_

Date of Purchased: \_\_\_\_\_



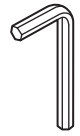
**ADULT ASSEMBLY REQUIRED**

If you are missing any parts or have any questions regarding assembly, do not return this item to the retailers store. Please call our toll-free customer service number and have this assembly manual open to the parts list ready to provide the model name, and part name or number.

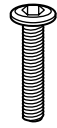


## PARTS AND HARDWARE

Avoid using sharp objects such as a knife to cut open packing as you may accidentally damage the upholstery.



Allen Key  
1x



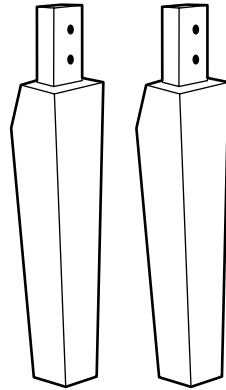
Bolt  
12x



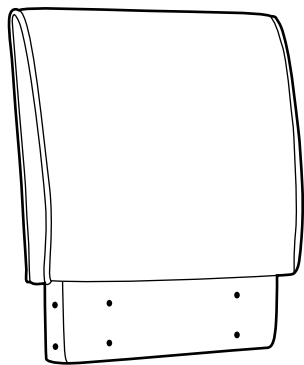
Washer  
12x



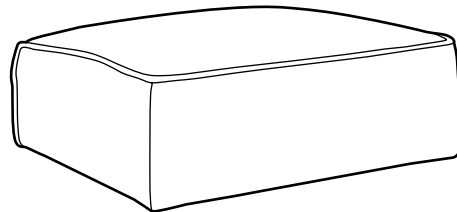
Rear Legs



Front Legs



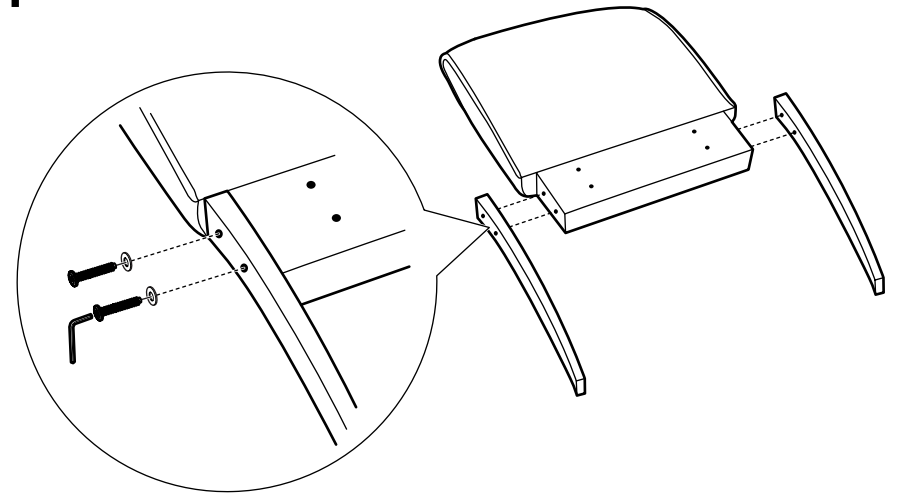
Backrest  
1x



Seat  
1x

## ASSEMBLY INSTRUCTIONS

1



2

