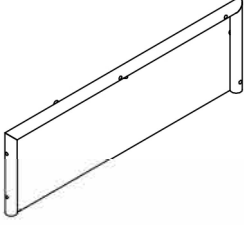
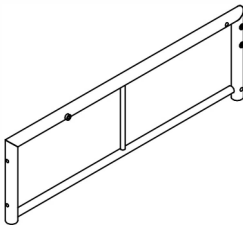
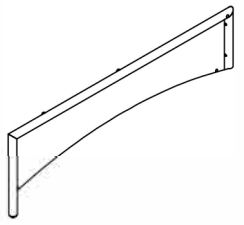
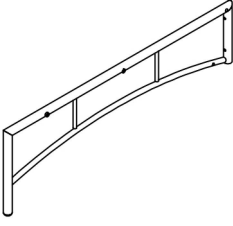
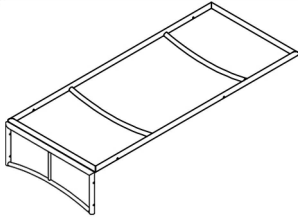
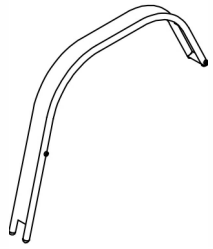
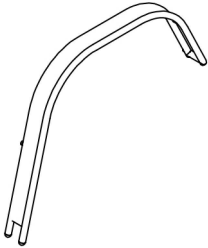
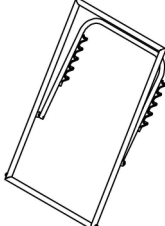
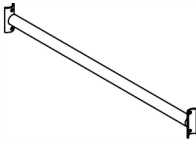

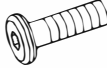
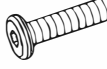
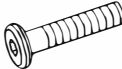
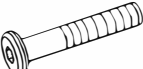
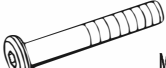
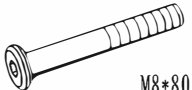



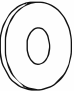
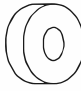
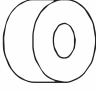





Please read these instructions and warranty information carefully before use and keep them properly for future reference.

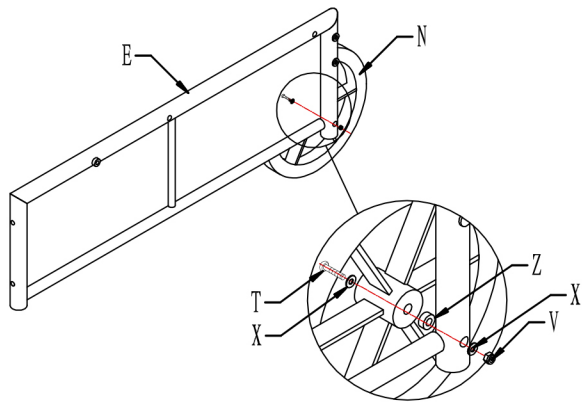
## OPERATING INSTRUCTIONS

# Part List

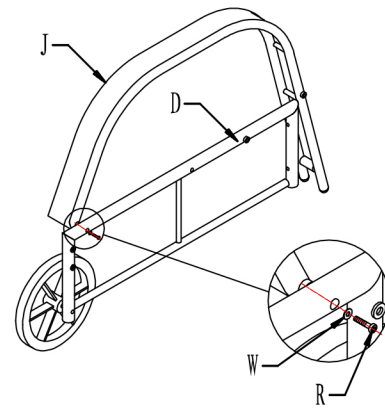
D		1	E		1	F		1
G		1	H		1	I		1
J		1	K		1			
M		1	N		2			
O	 M6*18	8	P	 M6*30	4	Q	 M6*35	12
R	 M6*40	36	S	 M6*65	8	T	 M8*80	4
U	 M6	8	V	 M8	4	W		76
X		8	Y		8	Z		4
BB		2	CC		1	DD		1/1

# Assembly Instructions

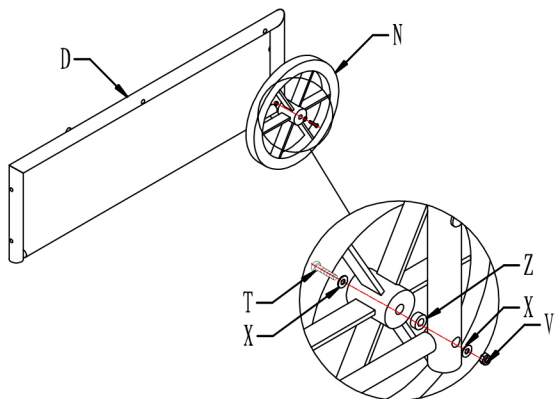
Step 1



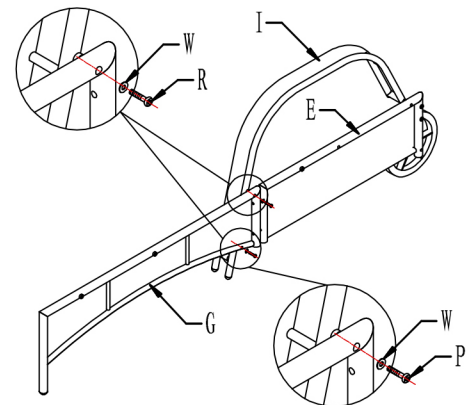
Step 4



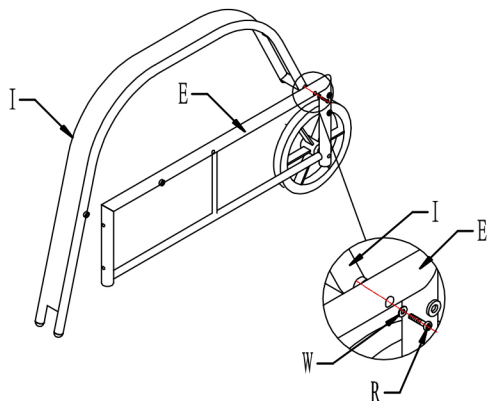
Step 2



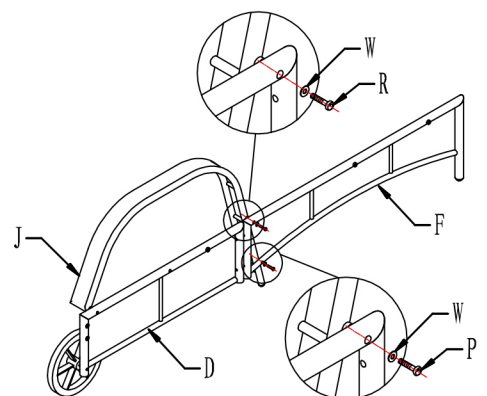
Step 5



Step 3

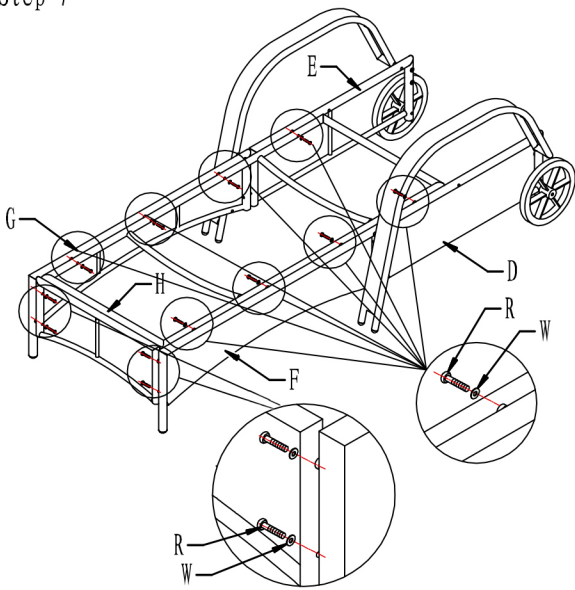


Step 6

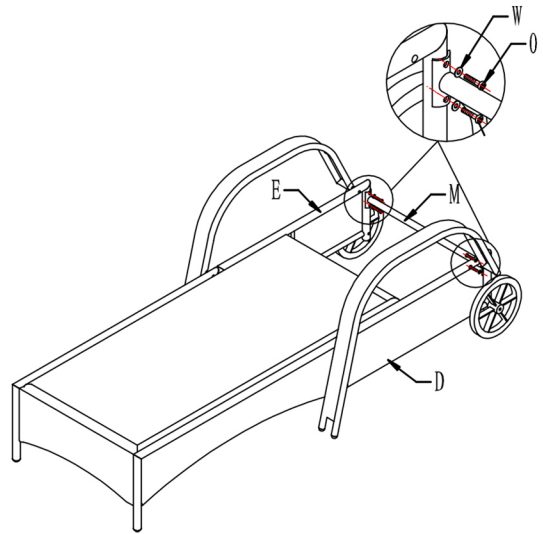


# Assembly Instructions

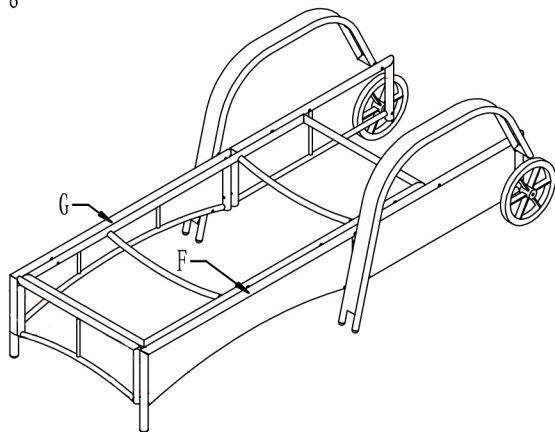
Step 7



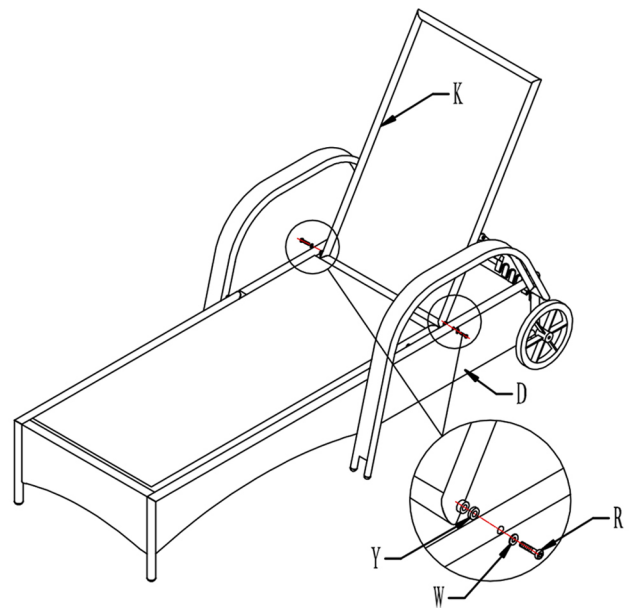
Step 10



Step 8



Step 11



Step 9

