




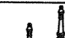

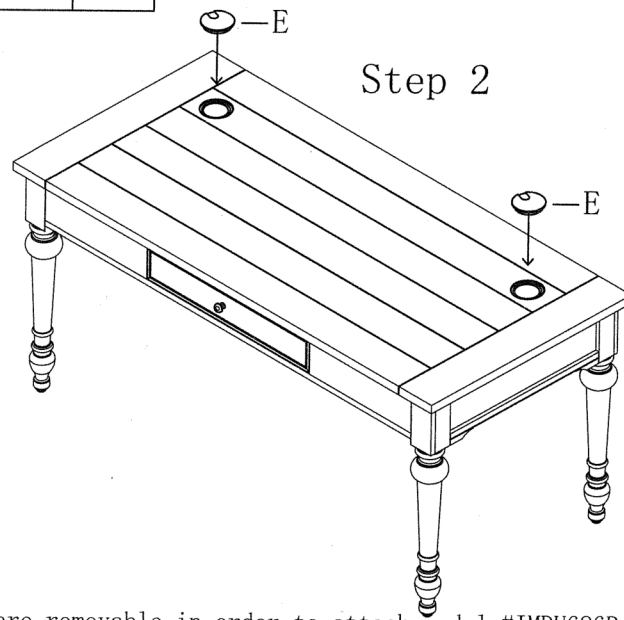
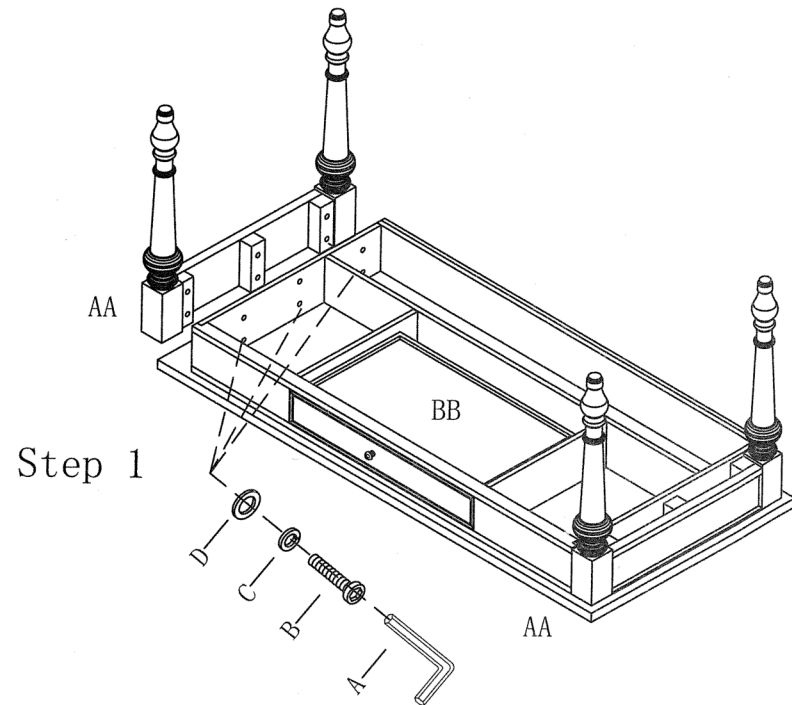


SET UP INSTRUCTIONS FOR IMDU686

NO:	Parts List		Q' TY
A		Allen Wrench	1PC
B		Bolts $\phi 1/4" * 1-3/8"$	12PCS
C		Lock Washers $\phi 1/4"$	12PCS
D		Flat Washers $\phi 1/4" * 16$	12PCS
E		Grommet Cover	2PCS
NO:	Parts List		Q' TY
AA		Side Frame	2PCS
BB		Top	1PC



Notice: Left and right faux fronts are removable in order to attach model #IMDU686R return creating a left or right L-shape desk and return.

08/01/2017