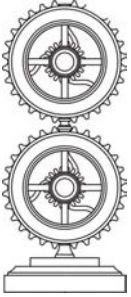


ASSEMBLY INSTRUCTION

POLY GEAR TABLE LAMP

A BASE
*1PC



B SOCKET ASSEMBLY
*1PC



C HARP
*1PC



D SHADE
*1PC



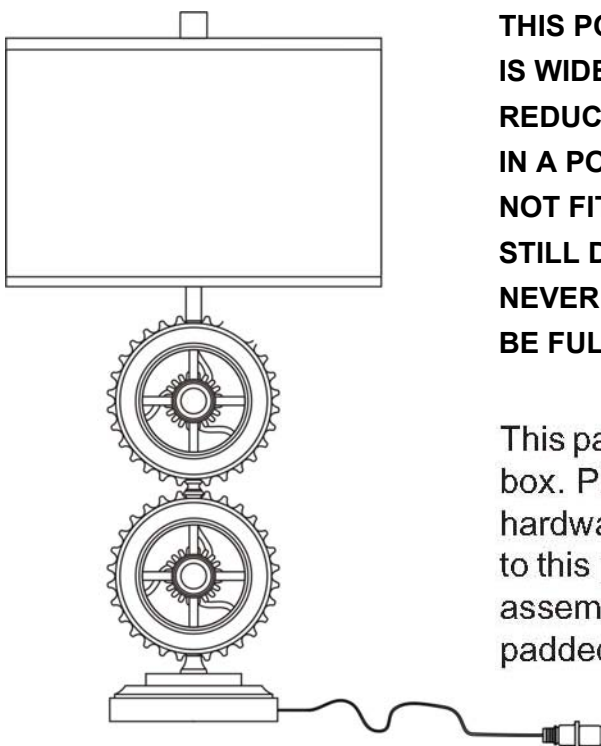
E FINIAL
*1PC



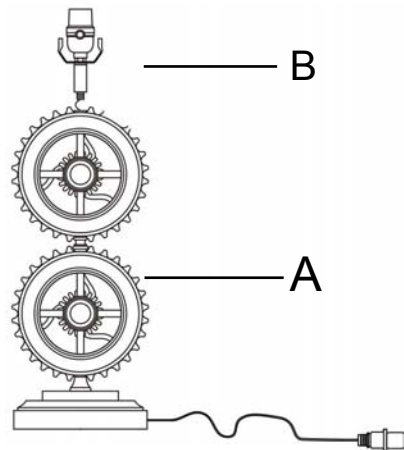
IMPORTANT SAFETY INSTRUCTIONS

THIS PORTABLE LAMP HAS A POLARIZED PLUG (ONE BLADE IS WIDER THAN THE OTHER) AS A SAFETY FEATURE TO REDUCE THE RISK OF ELECTRIC SHOCK. THIS PLUG WILL FIT IN A POLARIZED OUTLET ONLY ONE WAY. IF THE PLUG DOES NOT FIT FULLY IN THE OUTLET, REVERSE THE PLUG. IF IT STILL DOES NOT FIT, CONTACT A QUALIFIED ELECTRICIAN. NEVER USE WITH AN EXTENSION CORD UNLESS PLUG CAN BE FULLY INSERTED. DO NOT ALTER THE PLUG.

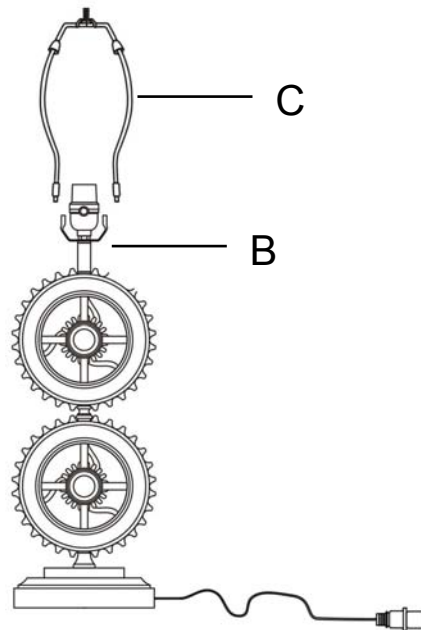
This page lists all the contents included in the box. Please take the time to identify the hardware as well as the individual components to this product. As you unpack and prepare for assembly, place the contents on a carpeted or padded area to protect them from damage.



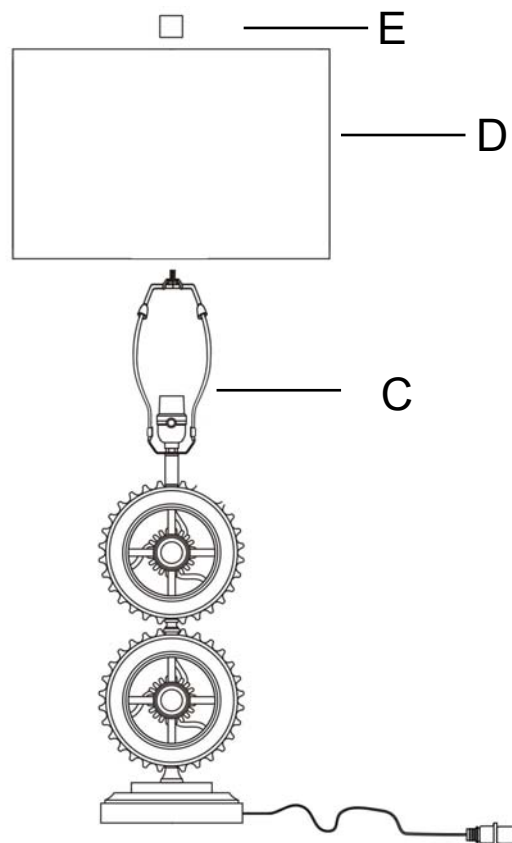
- 1** FASTEN SOCKET ASSEMBLY (B) ONTO BASE (A). BE CAREFUL NOT TO TWIST POWER CORD. TIGHTEN SECURELY.



- 2** INSERT HARP (C) ONTO SOCKET ASSEMBLY (B).



- 3** PLACE SHADE (D) ONTO HARP (C) AND TIGHTEN FINIAL (E).



Cleaning & Care

Treat surface with care. Surface is resistant to scratches but is not scratch resistant. Clean surfaces with a dry or damp soft cloth. Do not use abrasive cleaners. Hardware may loosen over time. Periodically check that all connections are tight.