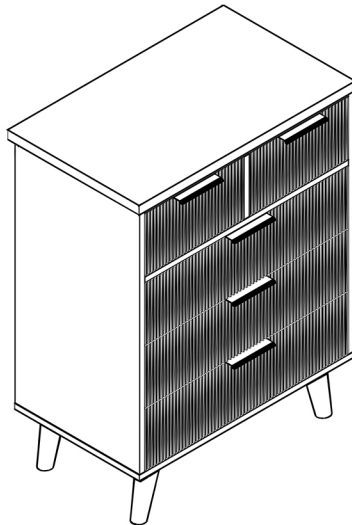
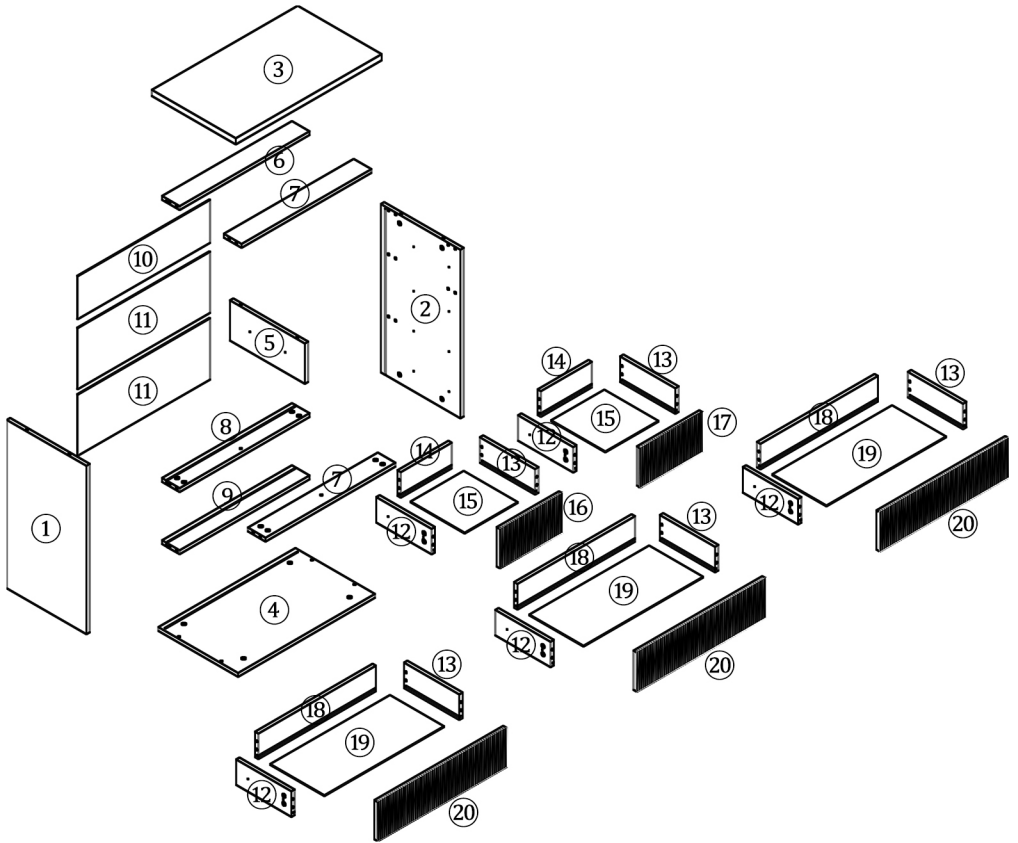


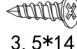
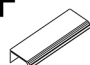








# ASSEMBLY INSTRUCTION

- Please follow the instructions to assemble the items correctly.
- Please ensure the safety of the glass when assembling.
- Do not make the screws too loose or too tight.
- As shown in the figure, Insert the screw into the hole.  
The arrow in the picture, Then rotate 90° or 180° clockwise.
- The accessory bag contains some small accessories, which should be kept away from children.
- The remaining parts are spare parts.
- Warm reminder white backboard please install the white side inward
- The operating instruction of RGB light is included in the package , please read it carefully when assembling

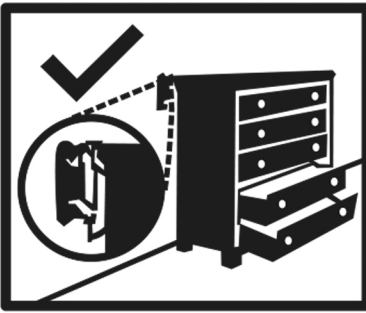
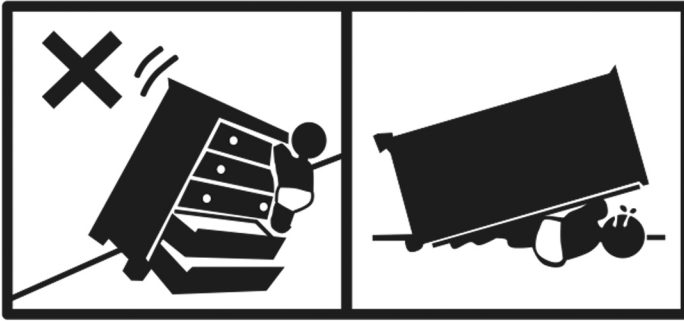




<b>A</b>  72pcs	<b>B</b>  72pcs	<b>C</b>  3.5*14 64pcs	<b>F</b>  5pcs	<b>K</b>  10pcs	<b>X</b>  2pcs	<b>Y</b>  12pcs	<b>Z4</b>  8*30 4pcs	<b>AE</b>  4pcs
<b>AM</b>  Decorative paper 20pcs								



# WARNING



Children have died from furniture tip over. To reduce the risk of tip over:

- ALWAYS secure this furniture to the wall using an anti-tip device.
- NEVER allow children to stand, climb, or hang on drawers, doors or shelves.

Do not defeat or remove the drawer interlock system.

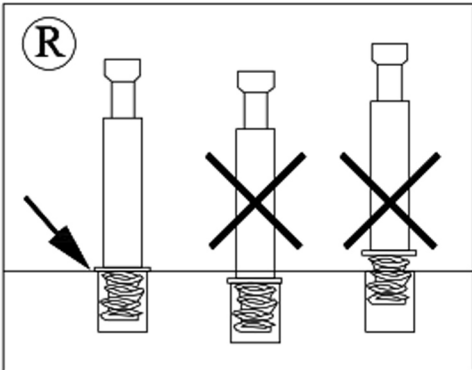
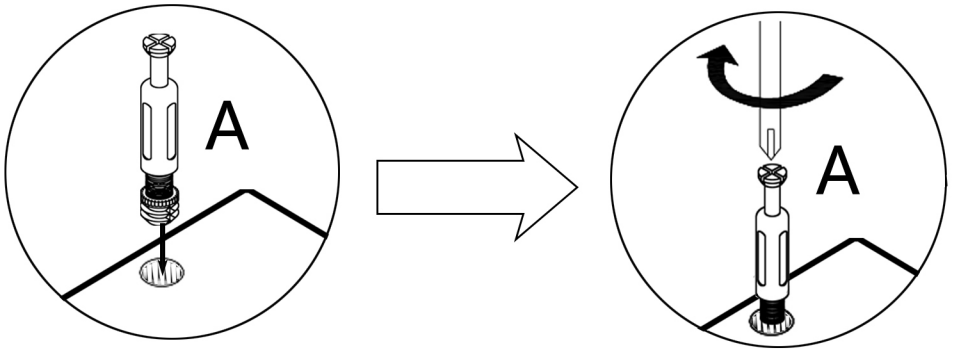
Place heaviest items in the lowest drawers.

NEVER put a TV on this furniture.



# Hardware installation demonstration

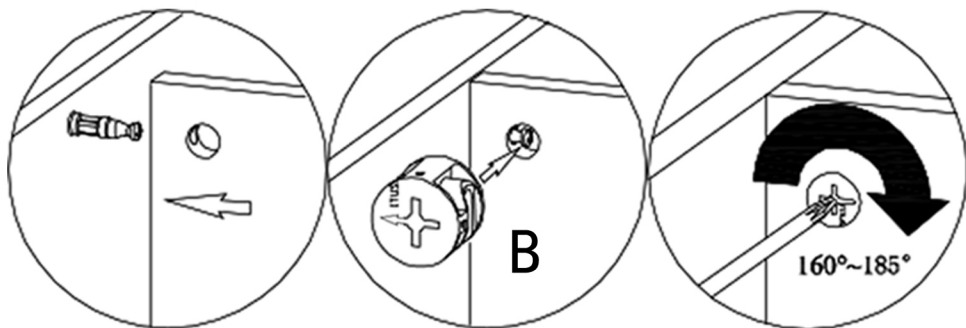
● Please make sure "A" hardware tightened and can't be pulled out





## Hardware installation demonstration

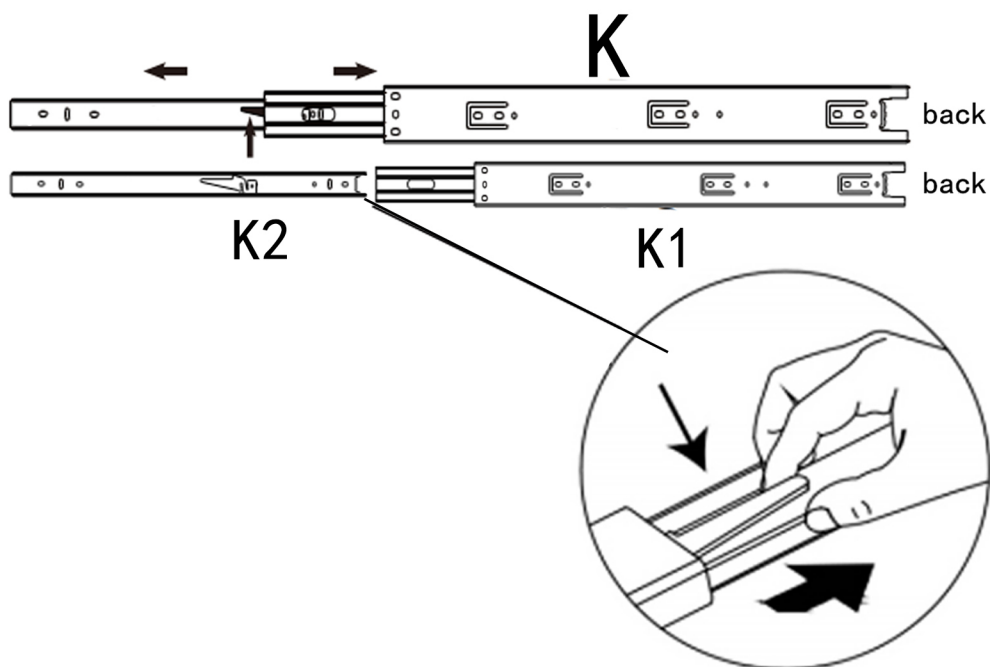
- When inserting cam ensure arrowhead on cam points toward to the hole on the panel edge





## Hardware installation demonstration

- Before installing the drawer rail, you need to separate the K1 and K2 first.



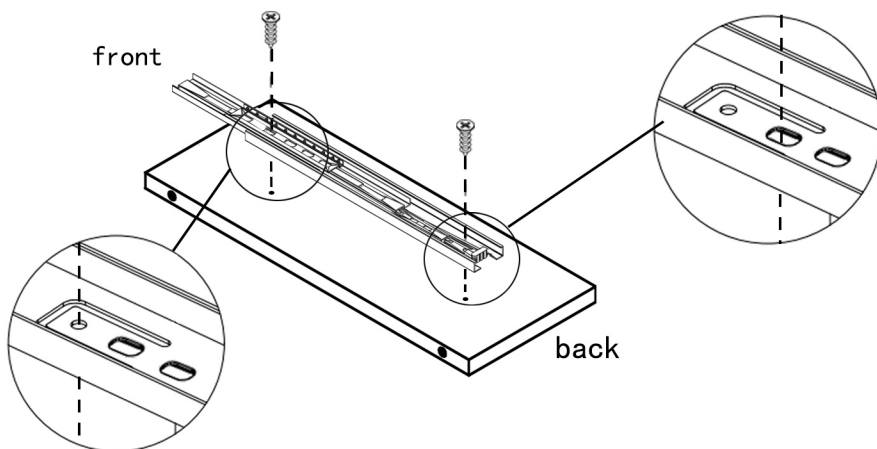
Warm Reminder: Press it and split



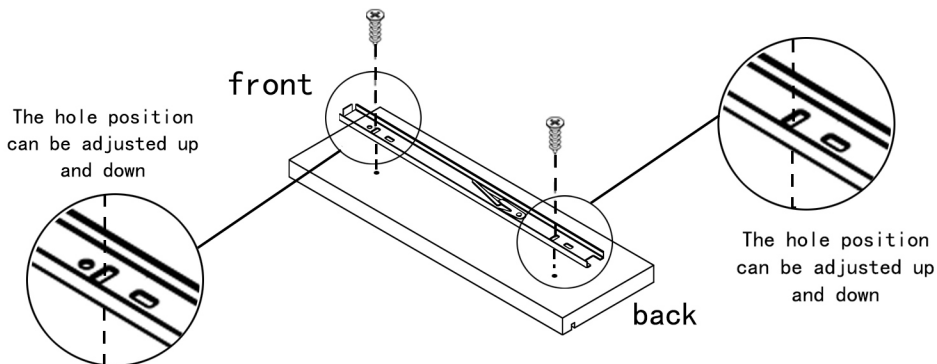
## Hardware installation demonstration



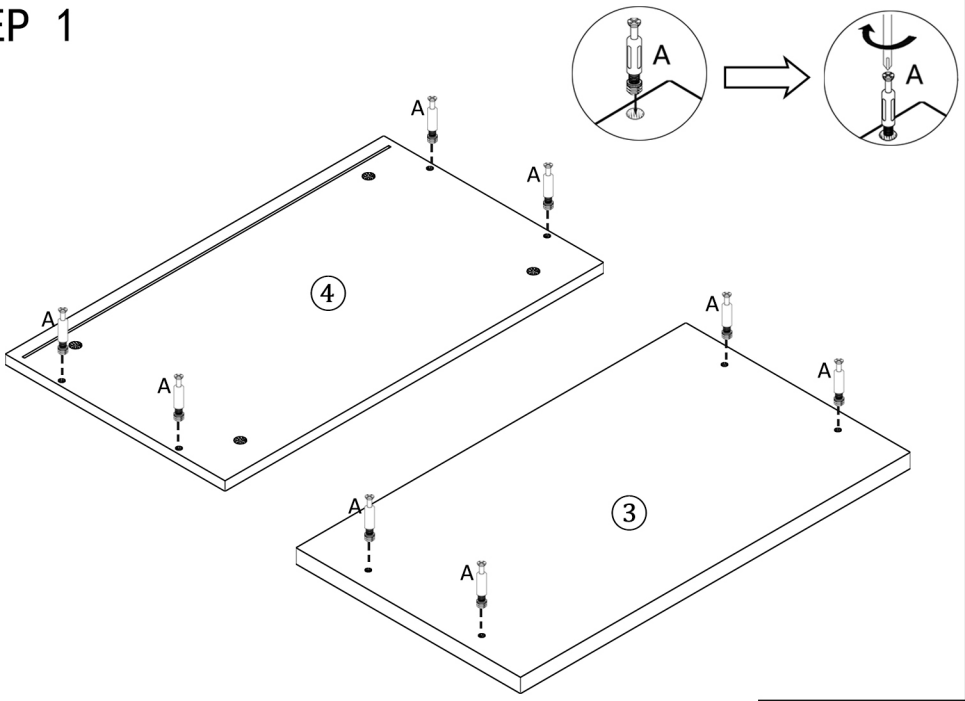
The first screw hole should corresponded with the board location hole



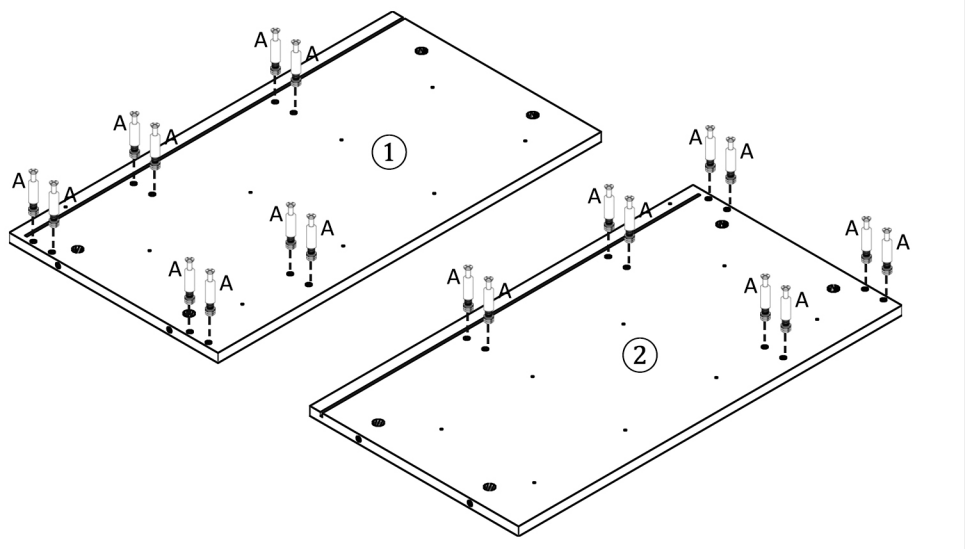
The first screw hole should corresponded with the board location hole



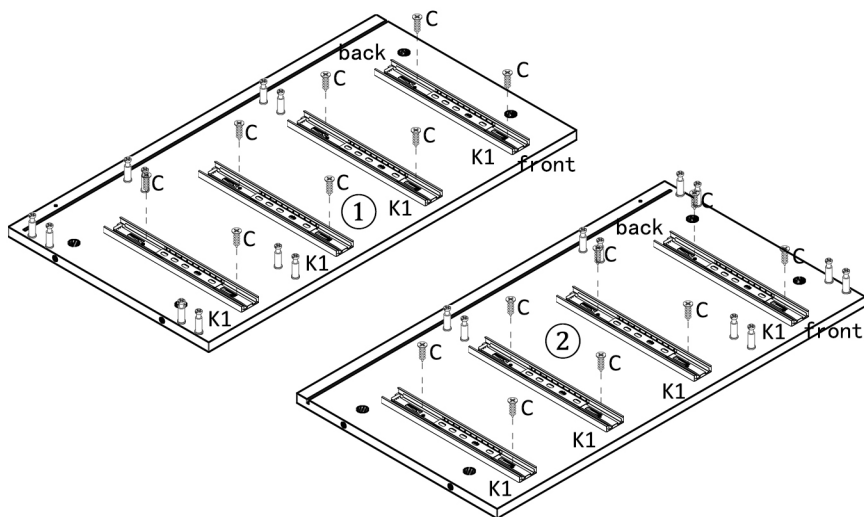
# STEP 1



# STEP 2



# STEP 3

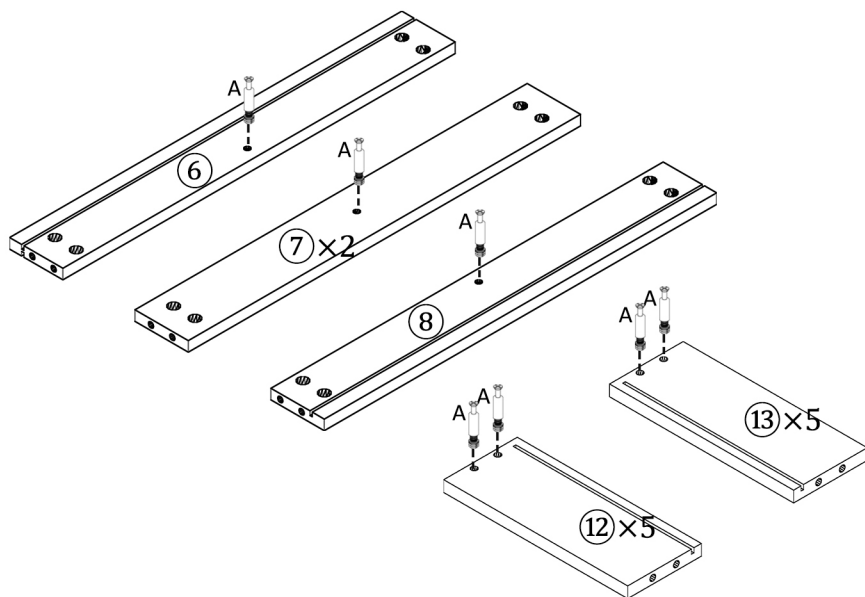


C\*16



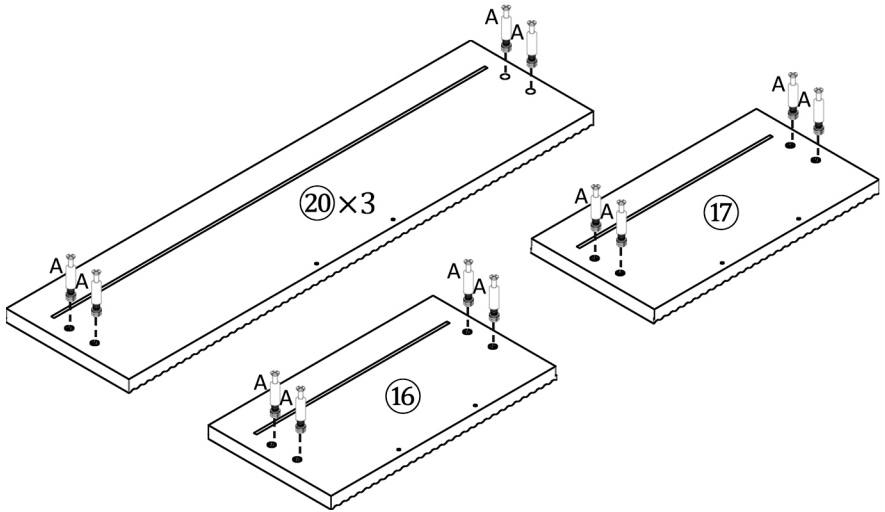
K1\*8

# STEP 4

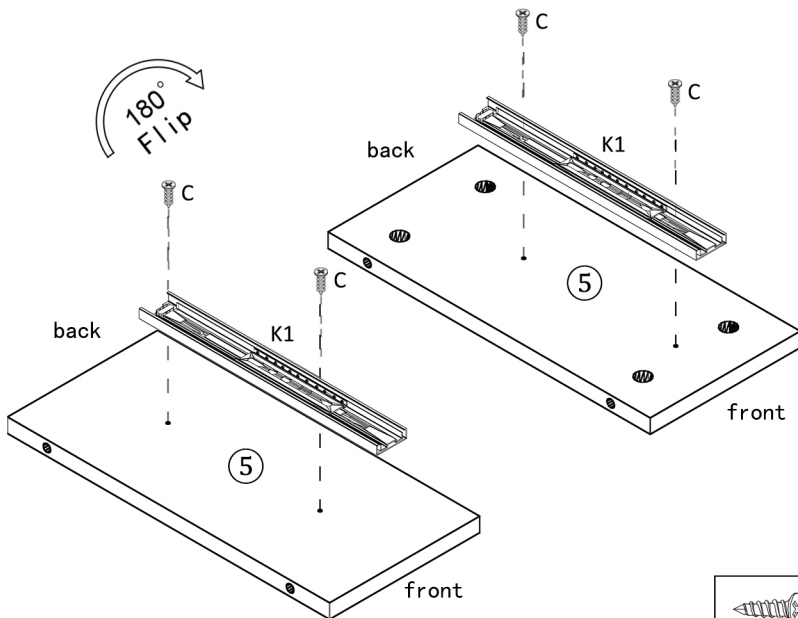


A\*24

# STEP 5

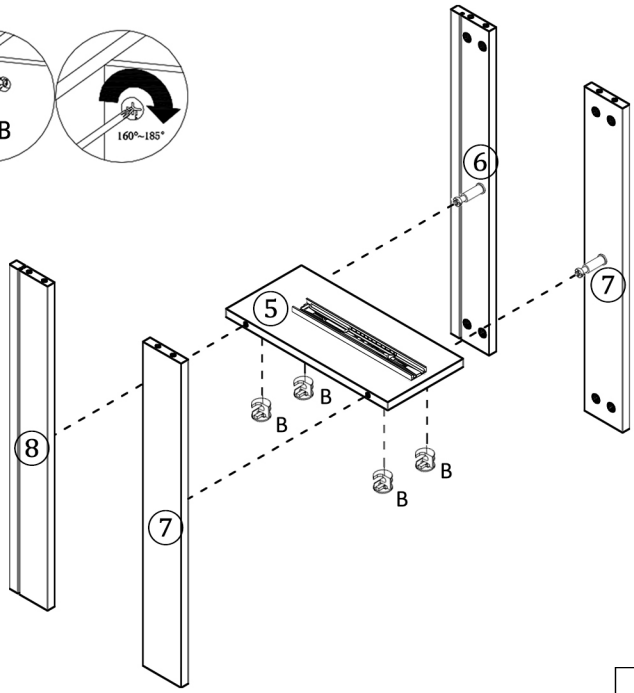
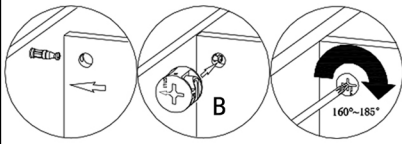


# STEP 6



Notice: that the positioning holes of the slide rails on board #5 are different

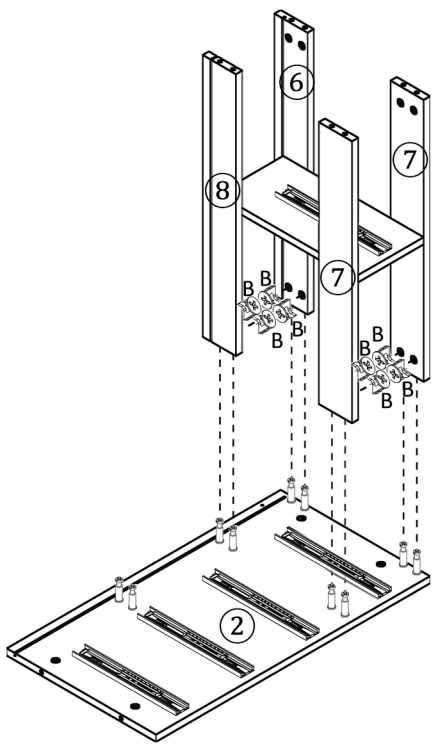
# STEP 7



180°  
Flip

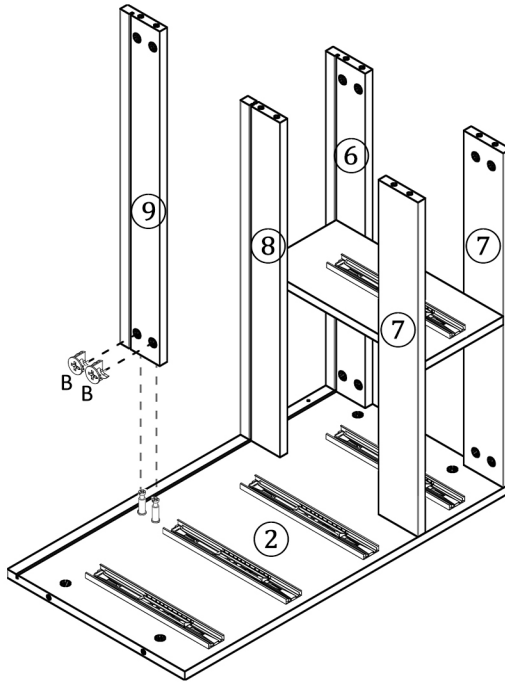
 B\*4

# STEP 8



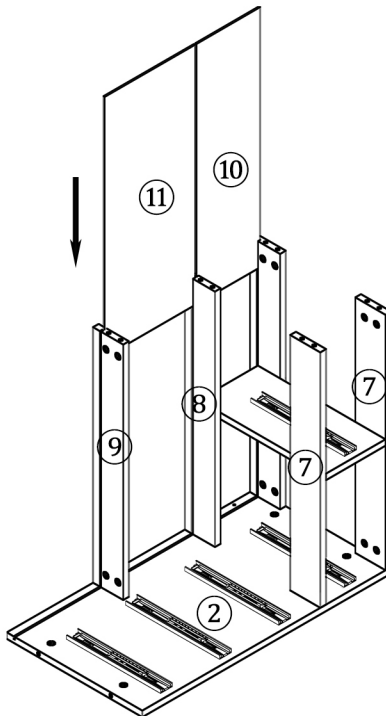
 B\*8

# STEP 9

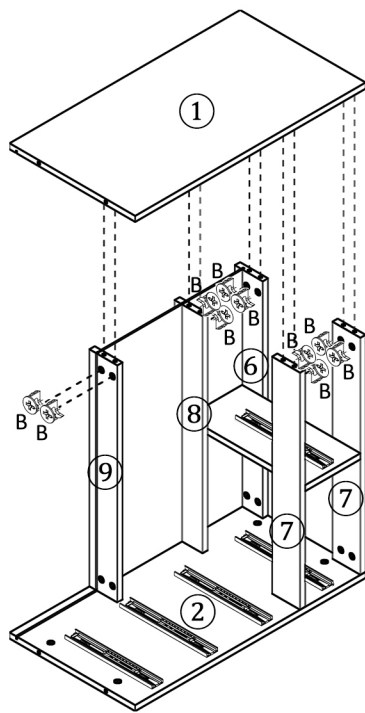


B\*2

# STEP 10

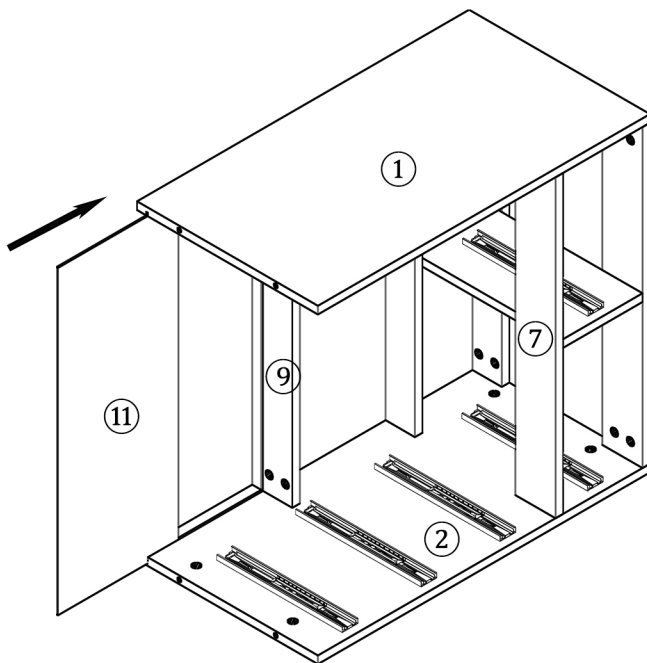


# STEP 11

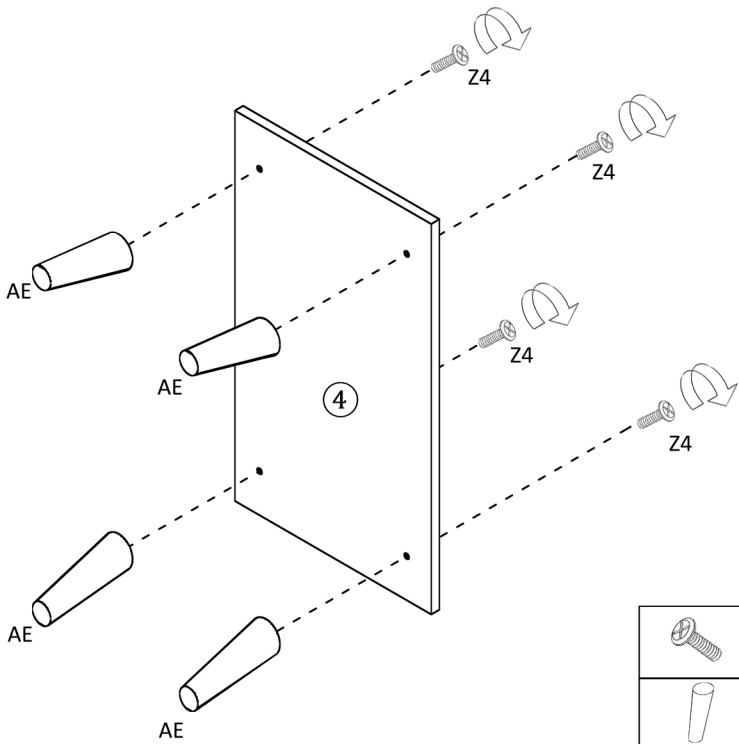


B\*10

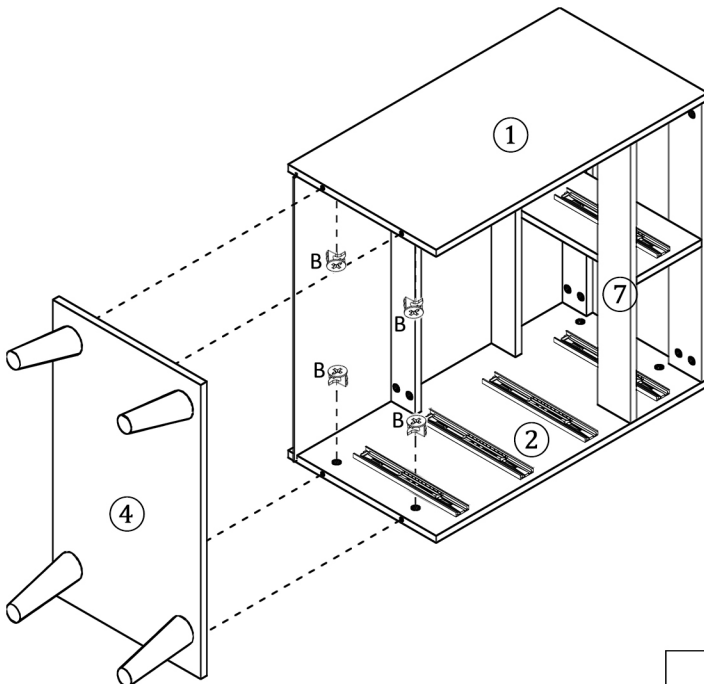
# STEP 12



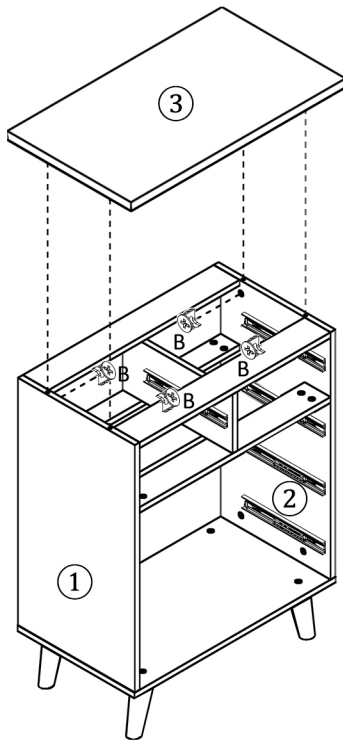
# STEP 13



# STEP 14

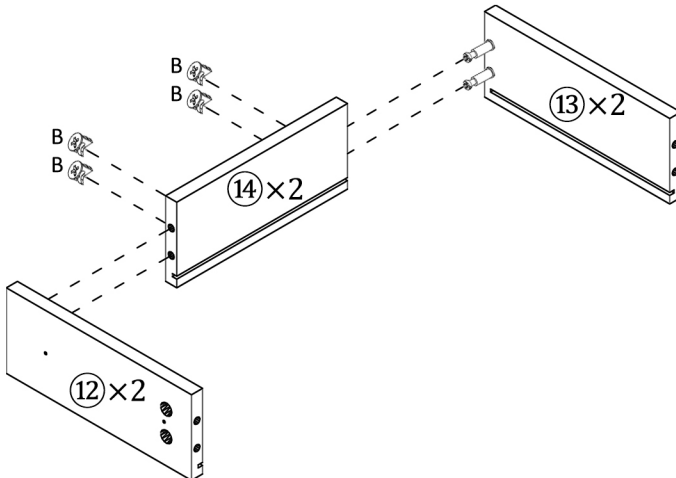


# STEP 15



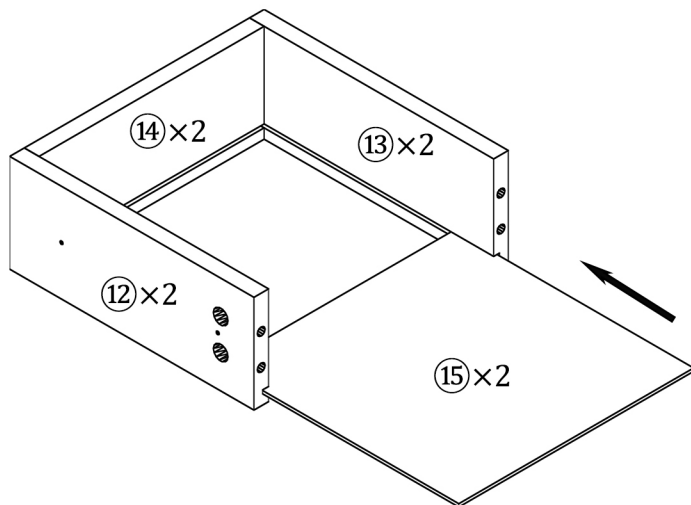
B\*4

# STEP 16

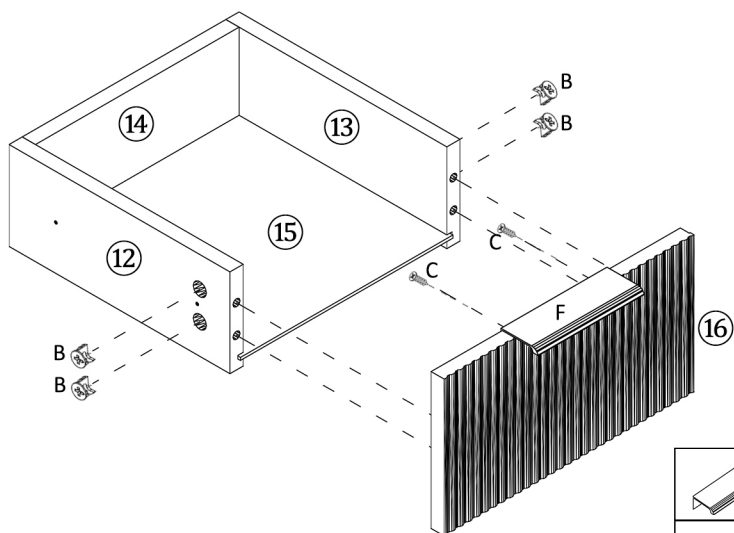


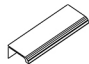


B\*8

# STEP 17

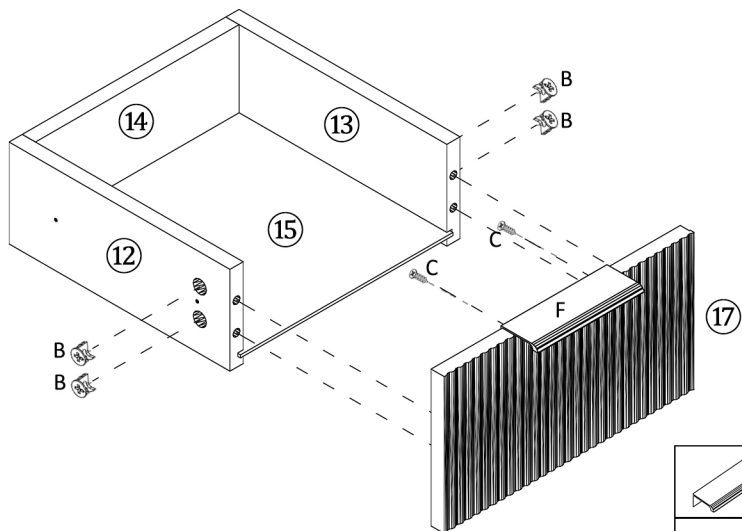


# STEP 18



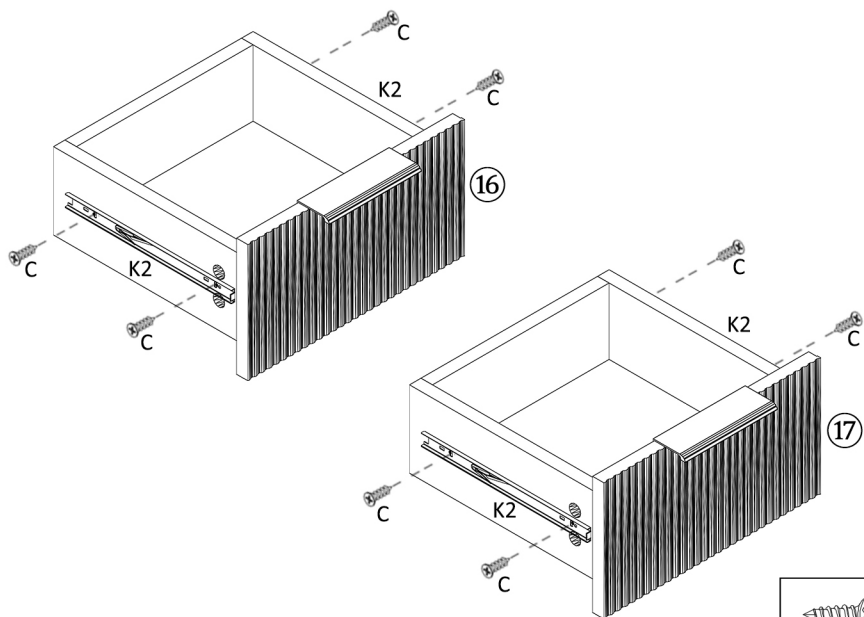
	F*1
	C*2
	B*4

# STEP 19



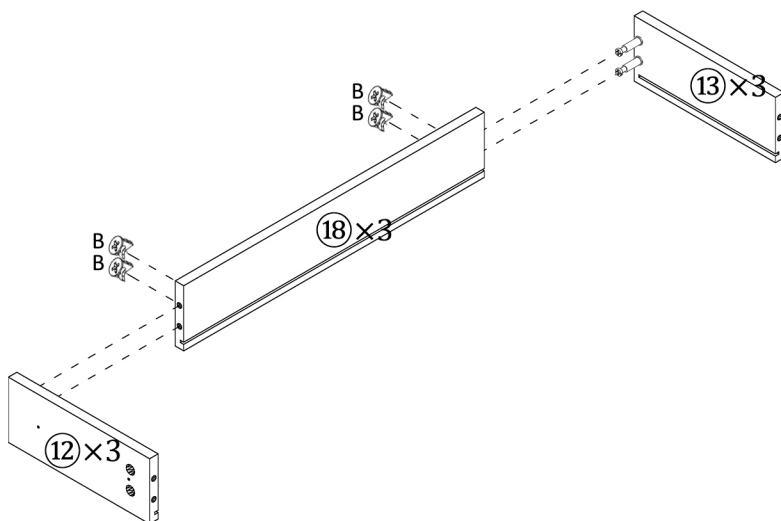
	F*1
	C*2
	B*4

# STEP 20



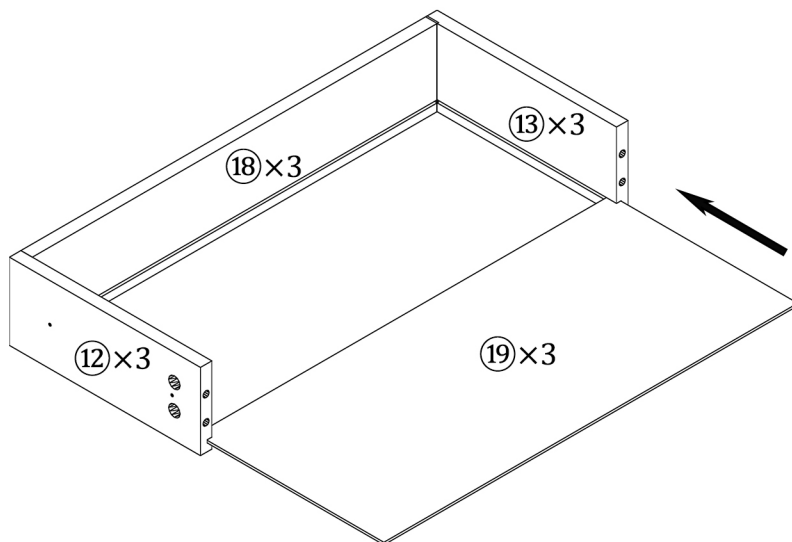
	C*8
	K2*4

# STEP 21

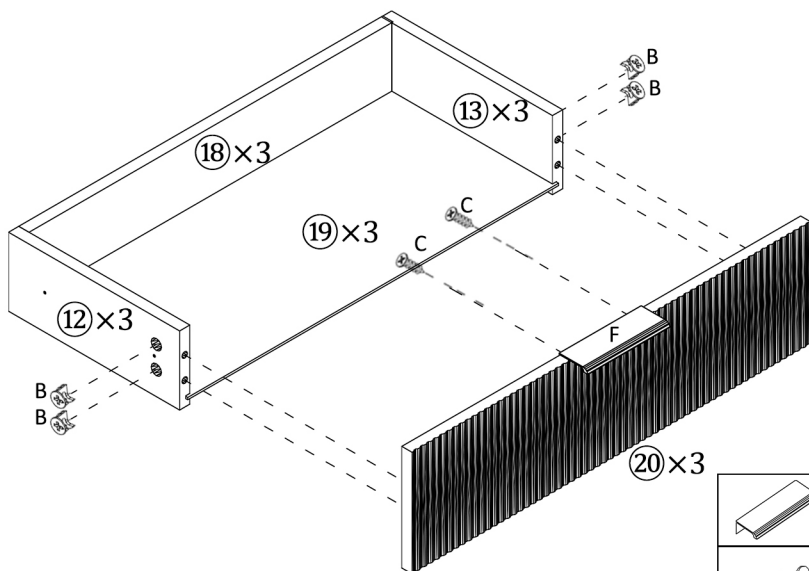


B\*12

# STEP 22

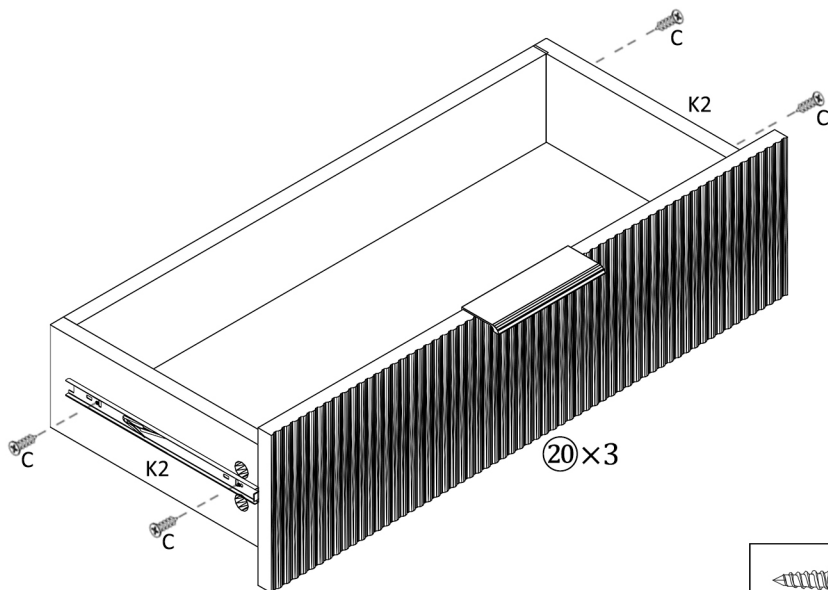


# STEP 23



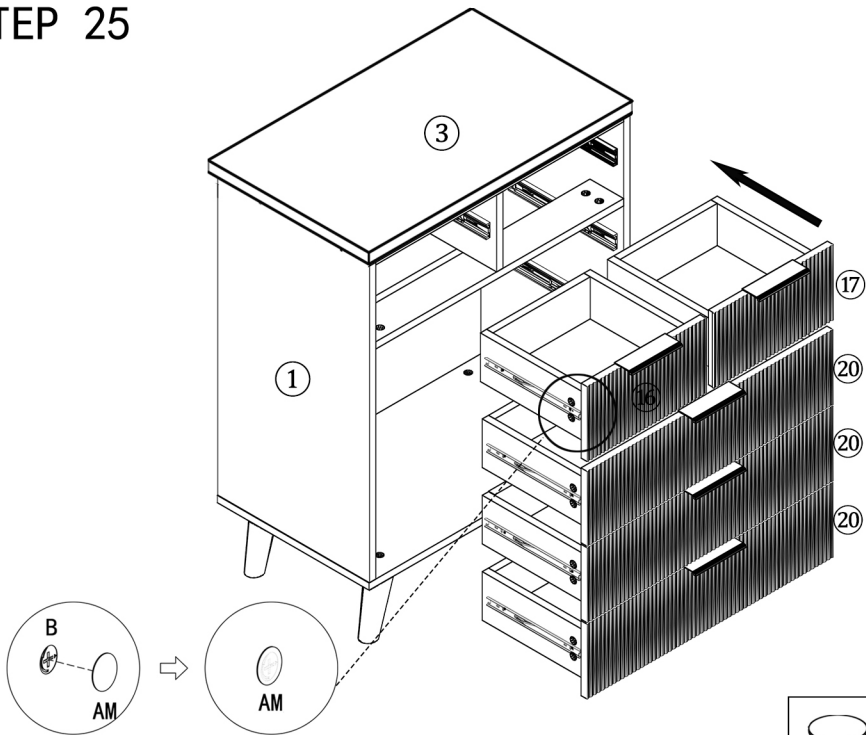
	F*3
	C*6
	B*12

# STEP 24



	C*12
	K2*6

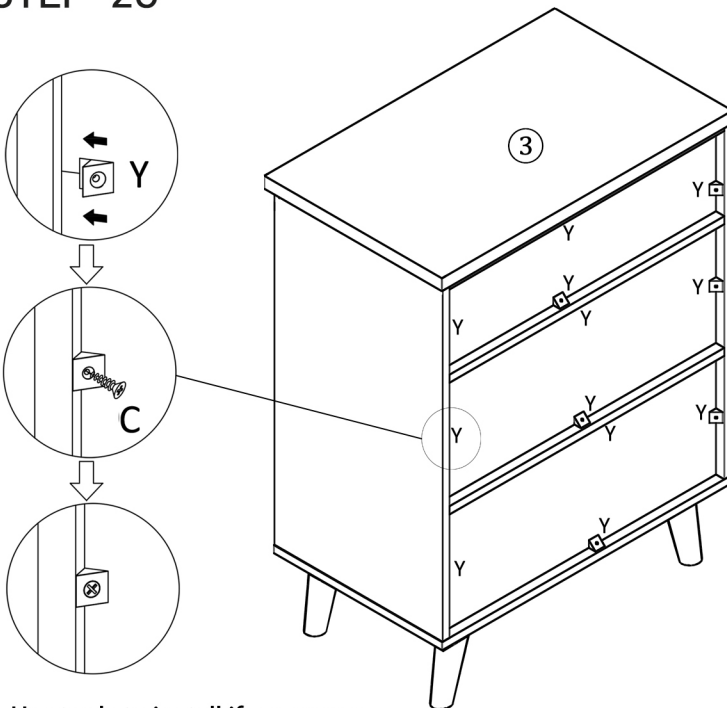
# STEP 25



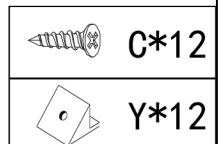
Please stick the decorative paper on the hole



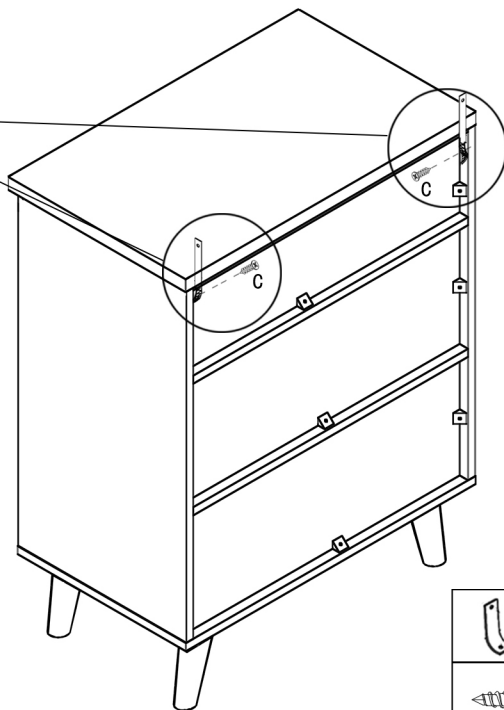
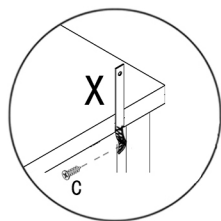
# STEP 26





Use tools to install if necessary



# STEP 27



- |   |     |
|---|-----|
|  | X*2 |
|  | C*2 |

# STEP 28

