



ASSEMBLY INSTRUCTIONS

SOFA TABLE

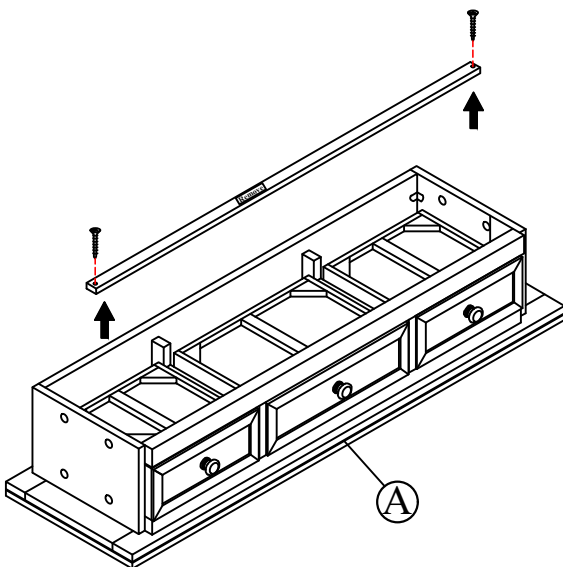
Thank you for purchasing this quality product. Be sure to check all packing material carefully for small parts, which may have come loose inside the carton during shipment. Identify and count all parts and compare with the Hardware List as below:

Part List	No.	Description	Qty
	A	Sofa Table Top	1
	B	Side Panel(Left)	1
	C	Side Panel(Right)	1
	D	Bottom Panel	1

Hardware List	No.	Picture	Description	Dimension	Qty
	1		Connection Short Bolt & W/Washer & Spring Washer	M6 x 35mm + SW6 + FW6X19	12
2		Allen Key	M4 x 110mm	1	

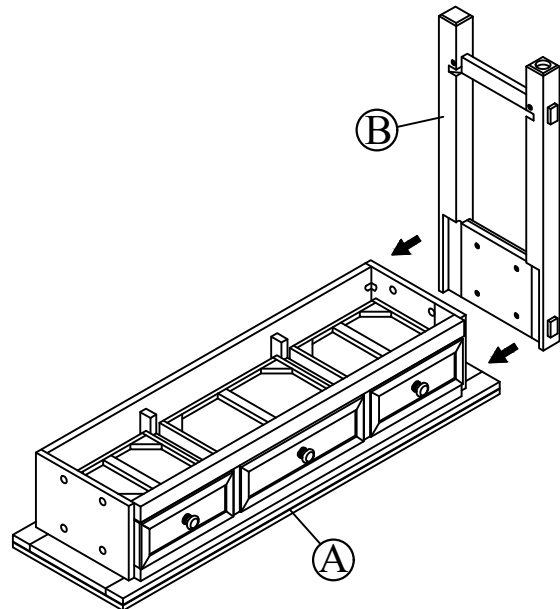
STEP 1

Remove the screws and the wood packing. Place Sofa Table Top upside-down on a soft, padded surface.



STEP 2

Align Side Panel(Left) to the Sofa Table Top.



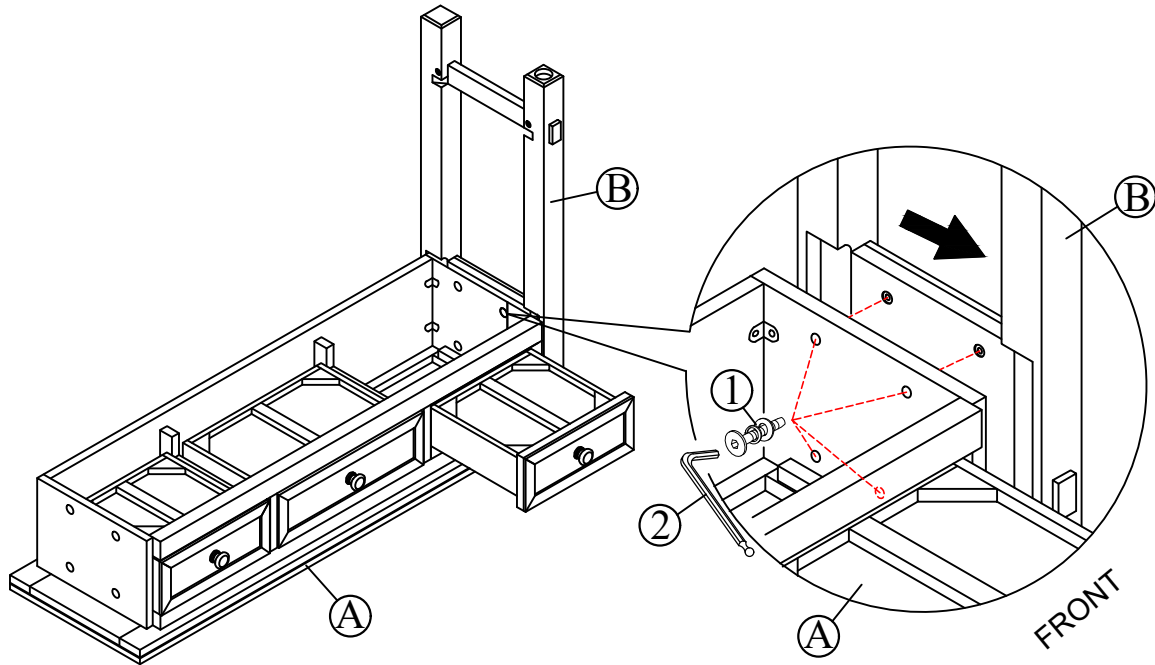
Important Note

Need 2 adults to flip over the assembled table. Do not lean any weight on table leg during the flipping process.

ASSEMBLY STEP

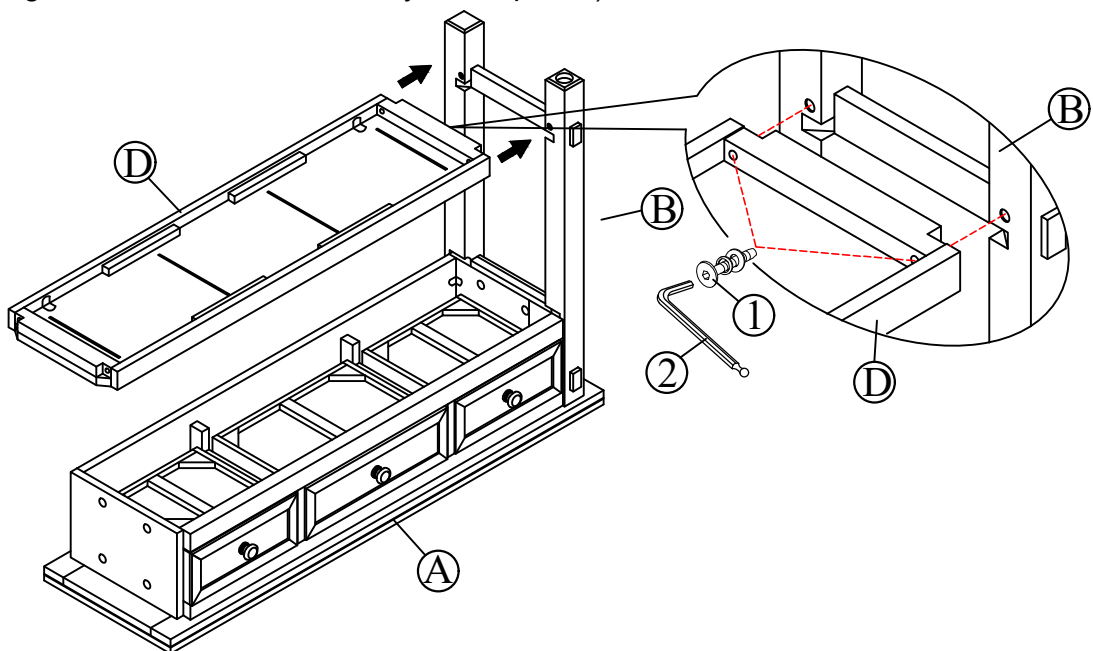
STEP 3

Pull out drawer to access screw holes. Use the Allen Key and bolt in the Side Panel(Left), total 4x.



STEP 4

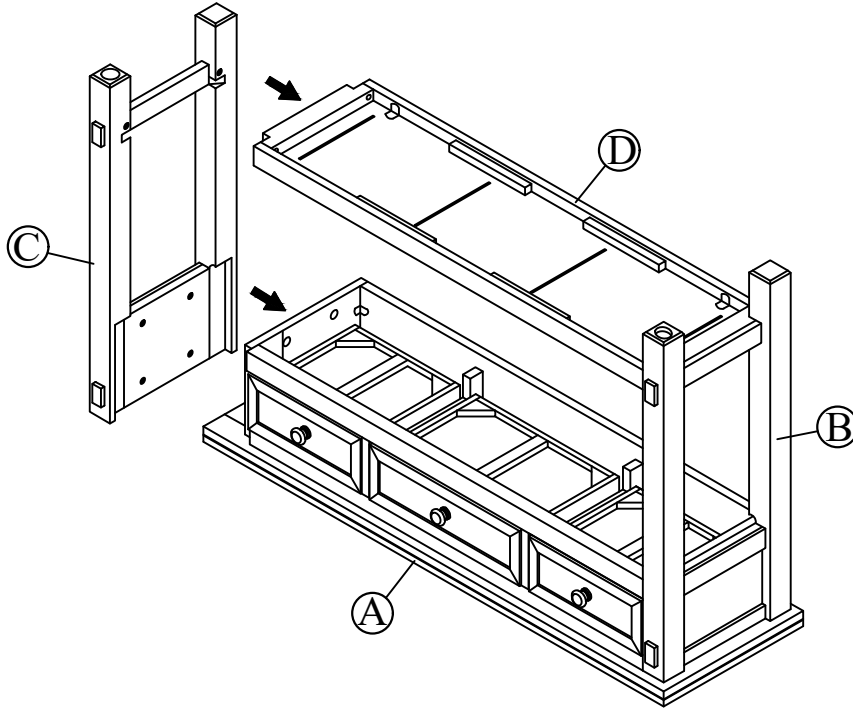
Have one adult brace and align the Bottom Panel to the constructed Side Panel(Left). Use the Allen Key to bolt in the bottom panel to bolt Side Panel(Left), total 2x.
(Do not tighten bolts until the assembly is completed)



ASSEMBLY STEP

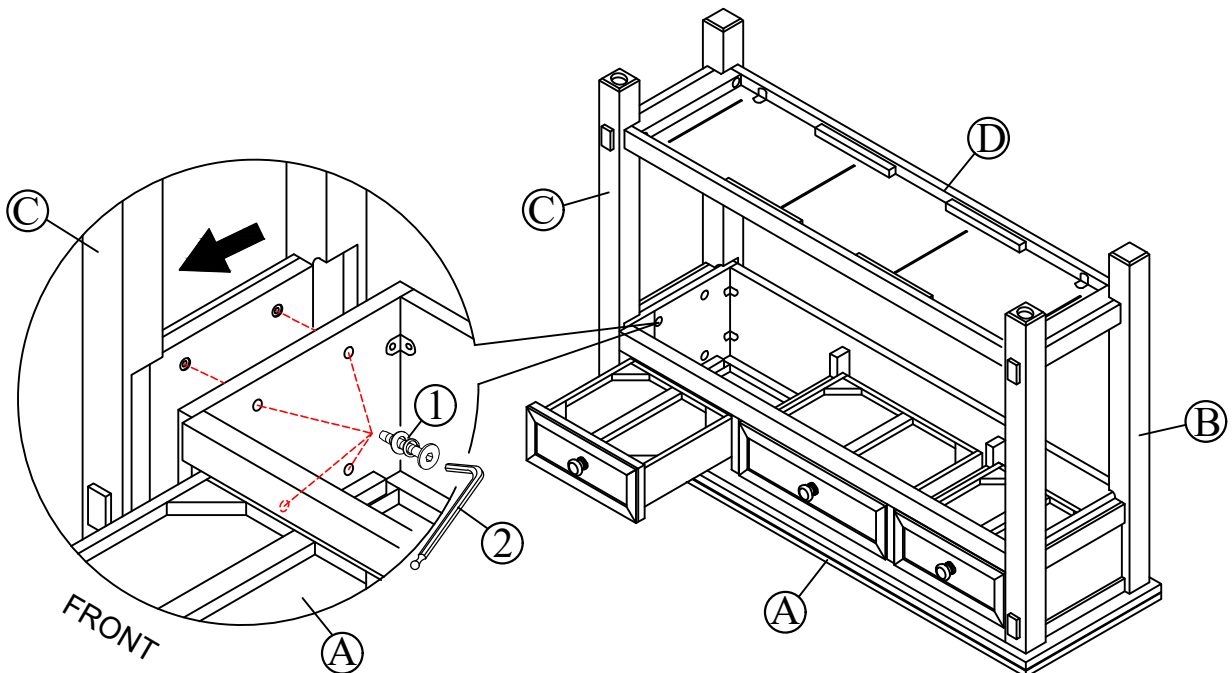
STEP 5

Have one adult brace and align the Bottom Panel to the constructed Side Panel(Right).



STEP 6

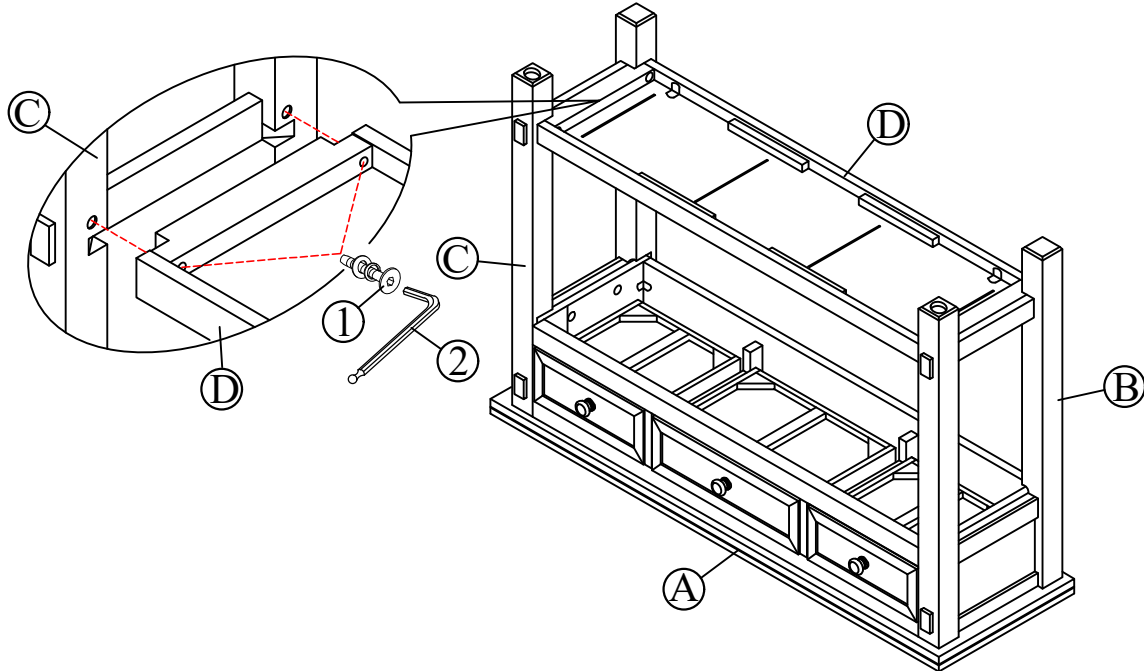
Pull out drawer to access screw holes. Use the Allen Key and bolt in the Side Panel(Right), total 4x.



ASSEMBLY STEP

STEP 7

Use the Allen Key to bolt in the bottom panel to bolt Side Panel(Right), total 2x.



STEP 8

Flip the Sofa Table right side up. Make sure to twist the levelers on the front bottom legs all the way to the floor for better support.

