



GARBURATOR DISPOSAL ADAPTER

DA-01

BEFORE YOU BEGIN YOUR INSTALLATION



Required tool



Installation by License Professional Plumber



Drawings are for reference only

WARRANTY

For additional technical assistance or for any questions or concerns about your faucet's warranty, please contact us.



www.stylishkb.com



care@stylishkb.com

www.stylishkb.com/warranty



+1-855-789-5352

COMPONENTS

This is a drain adapter to allow installation of a garburator on a sink with square drain hole

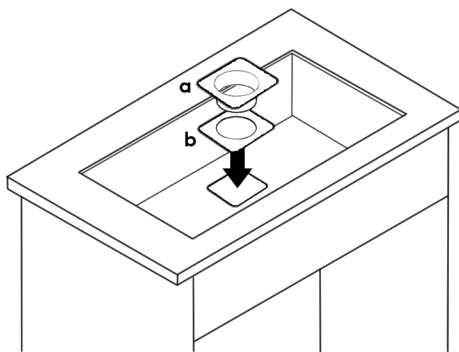
DA-01 components: (a) Sink flange, (b) Sink flange gasket and (c) Back up flange.

To complete installation of the DA-01 some components that comes with garburator are needed: (d) Mounting ring (ring with 3 screws) and (e) Snap ring (Wire ring)

NOTE: These item are no provided with this kit

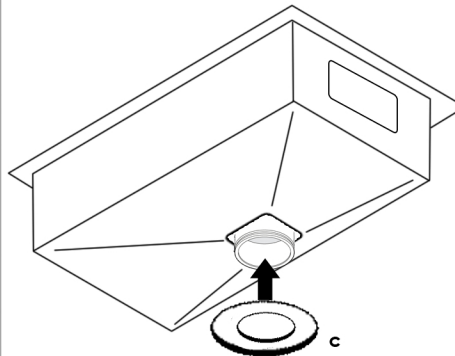
INSTALLATION STEPS

1



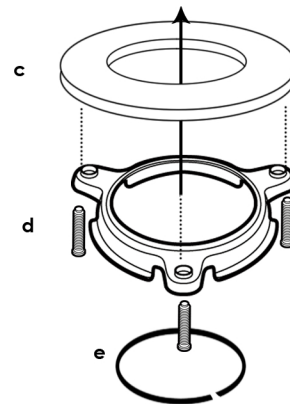
Place sink flange (a) and gasket (b) from the top side of the sink on the square drain opening

2



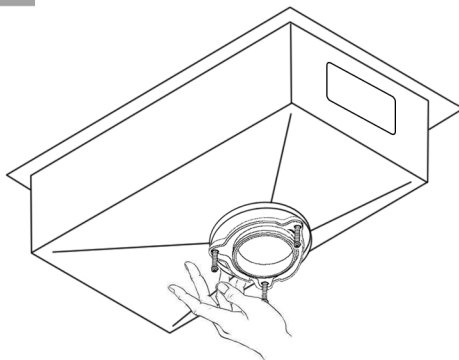
Underneath the sink, place the back up flange (c)

3



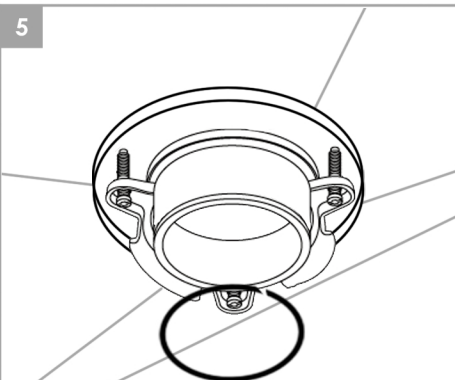
It is recommended to have the mounting ring (d) screws at the low position to make the installation of the snap ring (e) easier.

4



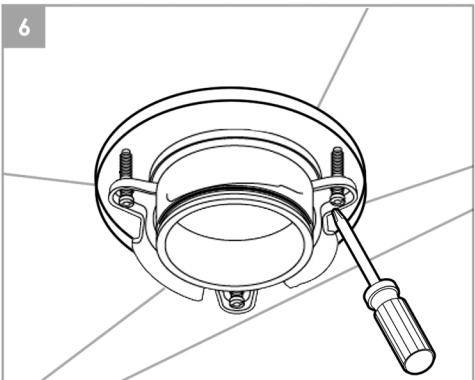
Place the mounting ring (d)

5



Insert the snap ring (e) ensure it is over the hump of the sink flange cylinder.

6



Tighten the screws from mounting ring (d) to get adapter tight and ready to continue garburator installation

Stylish International Inc Follow us on Instagram! Check out and let us know your comments [stylish.international.inc](https://www.instagram.com/stylish.international.inc)