

2-Light Vintage Funnel Wall Sconce

Caution: Please turn off power before installation and read the manual carefully, we advise you contact professional electricians to install for safety purpose.

Product Features

Style: Farmhouse/Minimalist

Material: Metal

Base Type: E27

Light Source Included: No

Voltage: 230VAC

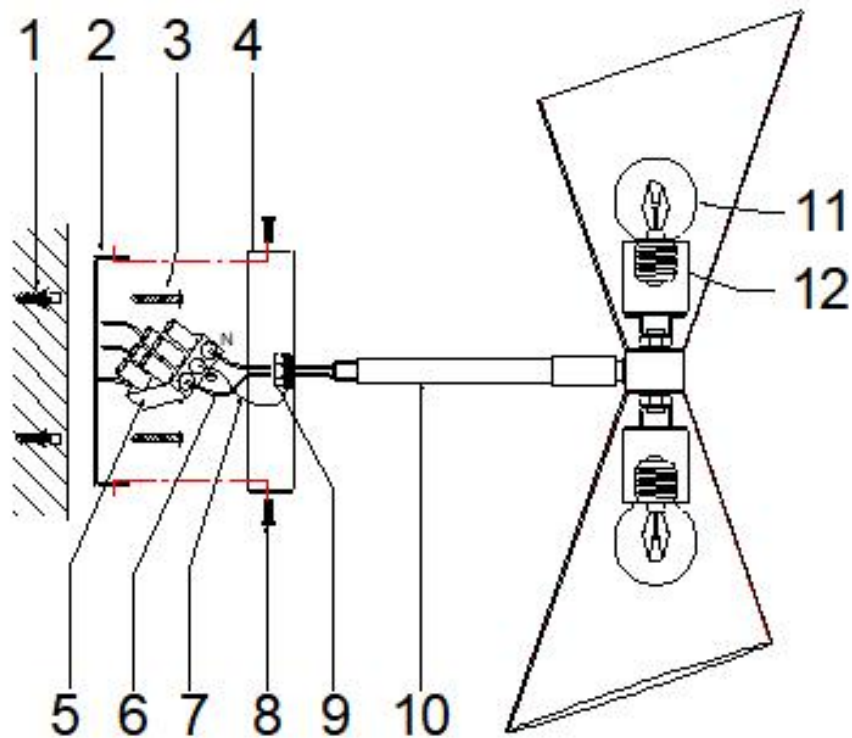
Wattage: 60W

Package includes

1 x Wall Light

1 x Accessories Kit

1 x User's Manual



Installation Instructions

A: Fasten the ground wire (7) and tube (10) to the wall base (4) with nuts (9);

B: Drive the plastic expansion plug (1) into the wall, loosen the screw (8), remove the hanging plate (2), and fasten the hanging plate (2) to the wall with the screws (3)

C: Through the terminal block (5) to the main line (6) of the positive brown wire with the power cord positive (+), the blue wire with the power cord negative (-), the lamp body ground (7) and the external grounding wire connection, pay attention to the bare wire can not be exposed, in order to avoid leakage of electricity

D: Use the screw (8) to fasten the wall base (4) to the mounting plate (2), fix the mounted lamp, and finally screw the light source (11) to the lamp socket (12) as instructed.

Note: please use this product accordingly to its intended purpose, do not retrofit or remodeling the product. The warranty does not cover if the failure is caused by the third party product, or natural disasters.