

72205 CONSOLE

Revision Number: 01

E1780670, E1780677, E1780684, E1780691
E1780698, E1780705, E1780712, E1780719

CAUTION:

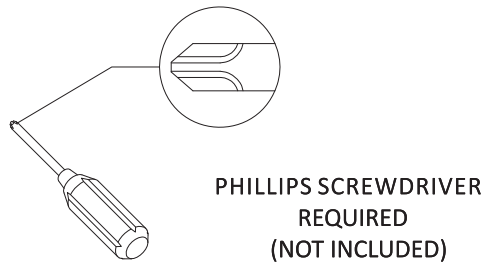
When placing furniture on non-carpeted flooring, we recommend the use of floor protection such as an area rug or furniture pads. Area rugs and padding not included with purchase.

Ensure that all parts and hardware are available before beginning assembly.

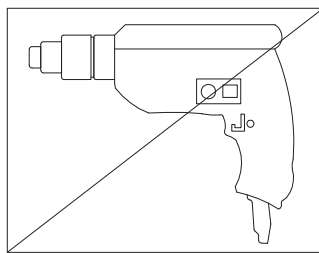
Follow each step carefully to ensure the proper assembly of this product.

Two people are recommended for ease of assembly of this product.

A Phillips head screwdriver is required for the assembly of this product.

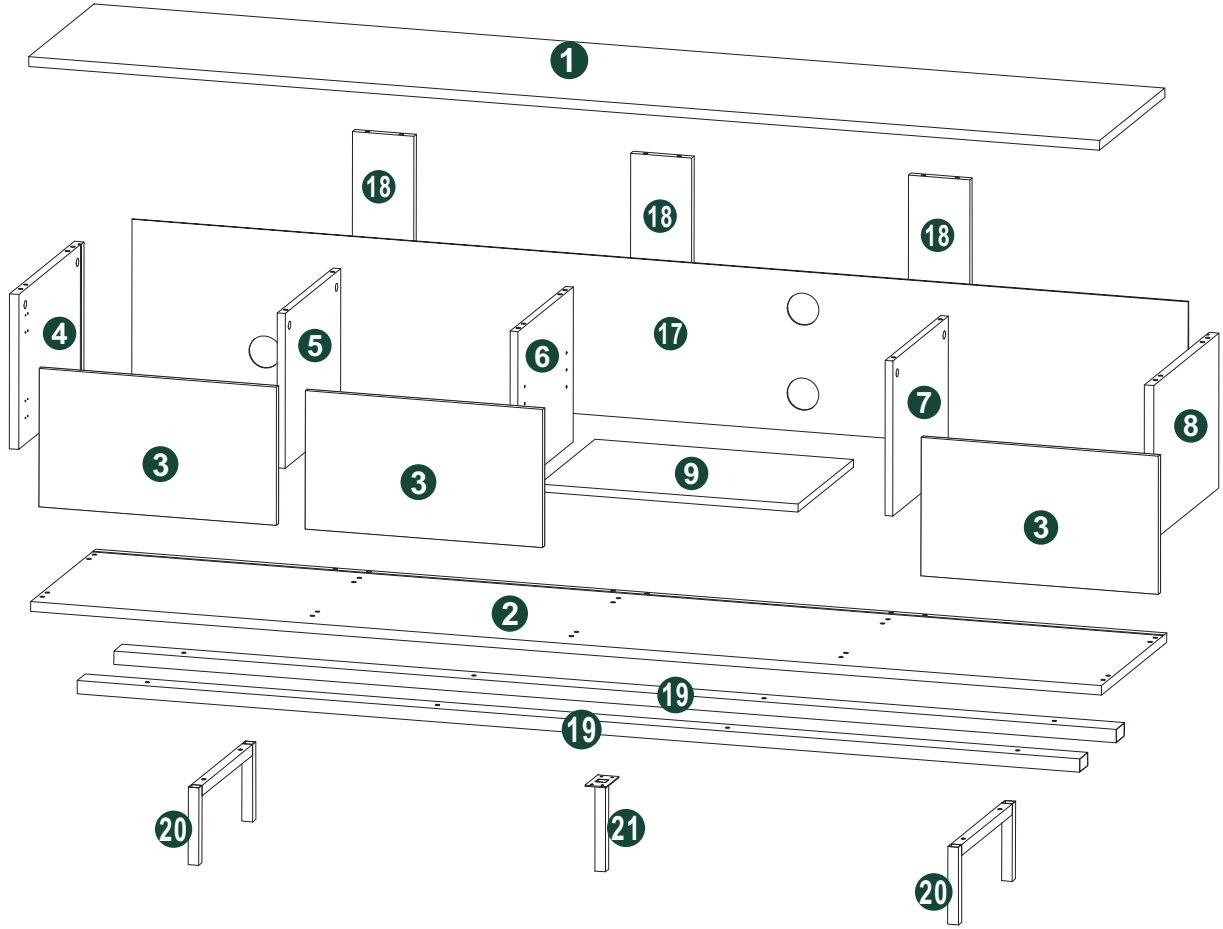


Power tools should not be used to assemble this product.



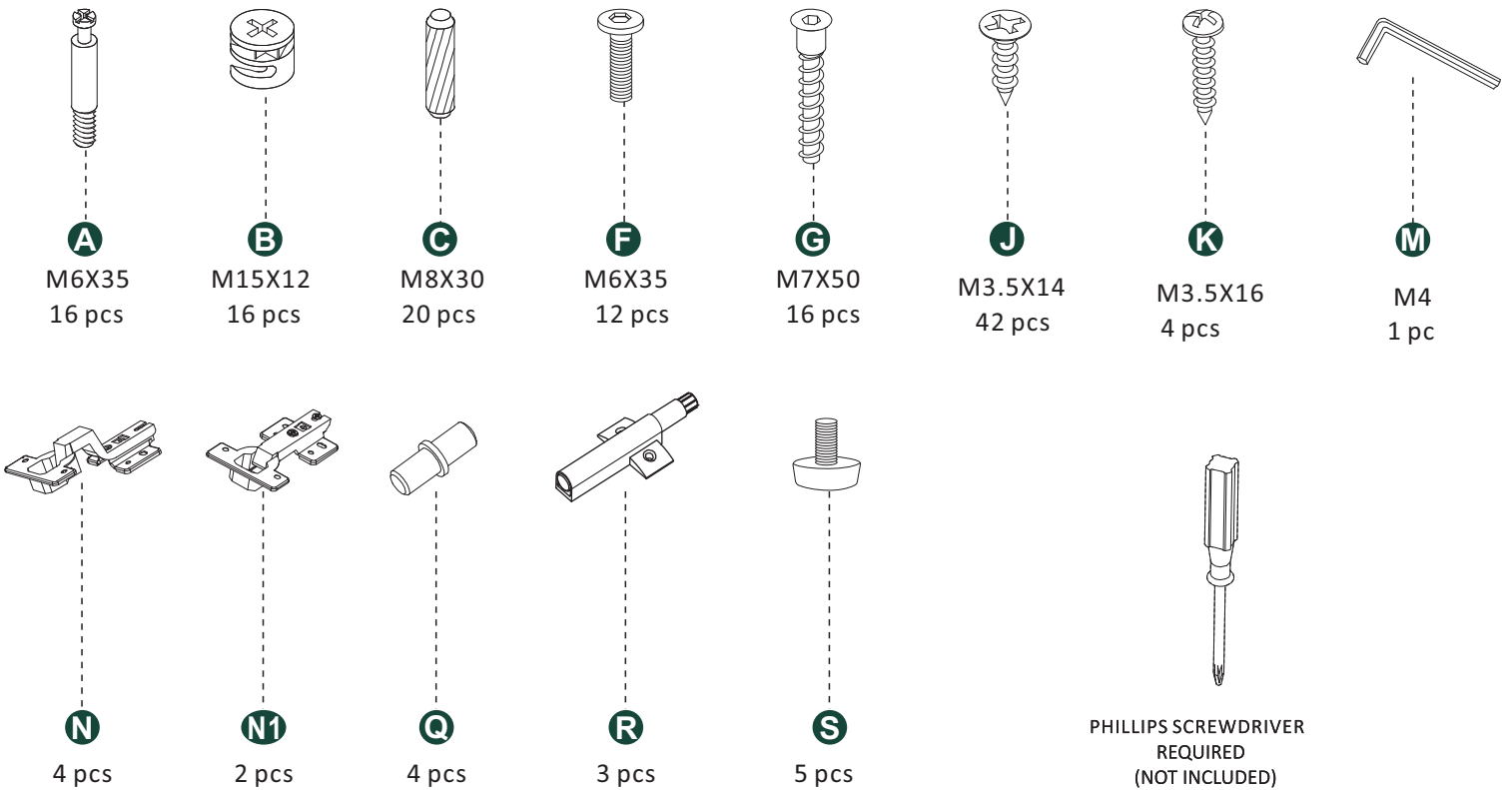


Components

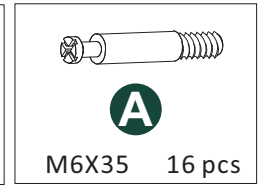
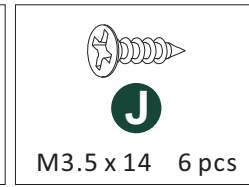
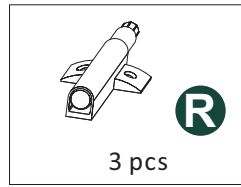


- | | | | | | | | | |
|----------------|-----------------|-----------------|-----------------|----------------|---------------|---------------|---------------|---------------|
| 1 =1pc | 2 =1pc | 3 =3pcs | 4 =1pc | 5 =1pc | 6 =1pc | 7 =1pc | 8 =1pc | 9 =1pc |
| 17 =1pc | 18 =3pcs | 19 =2pcs | 20 =2pcs | 21 =1pc | | | | |

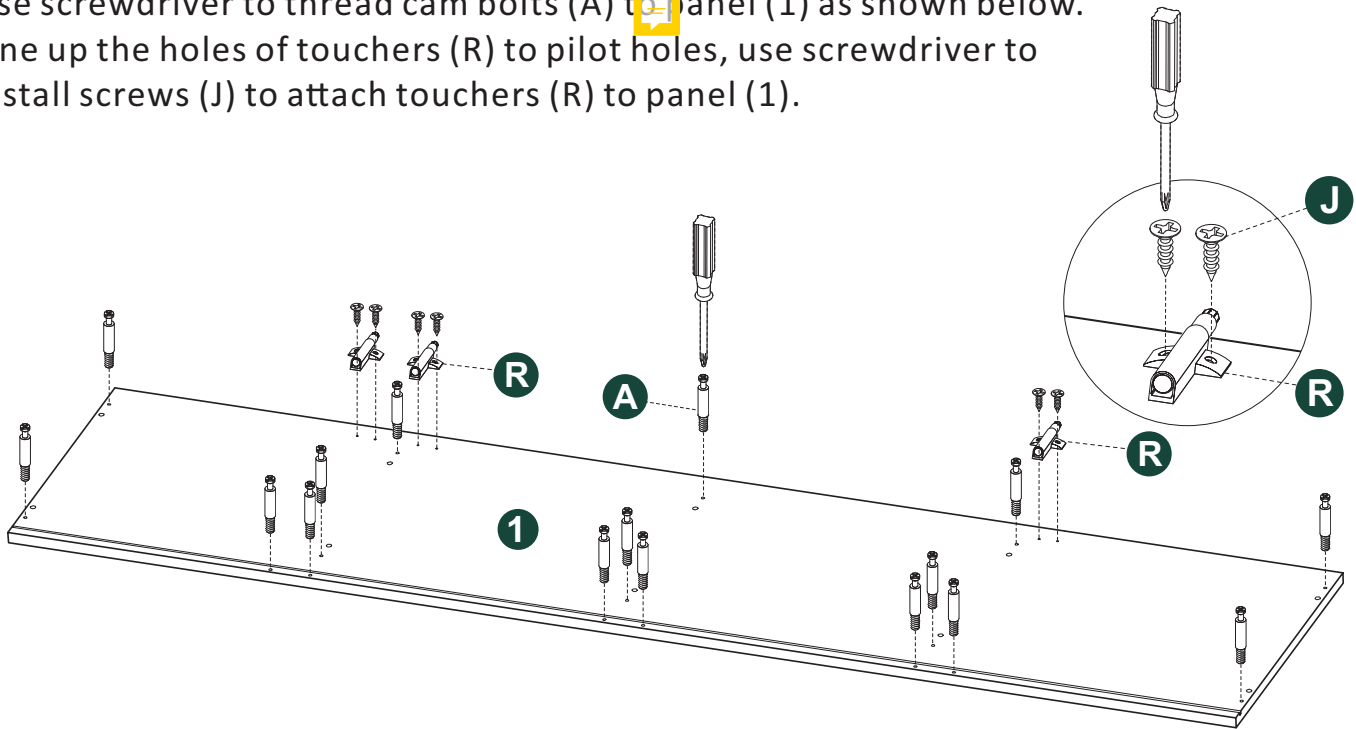
Hardware



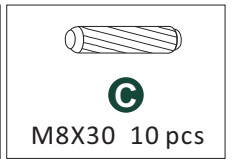
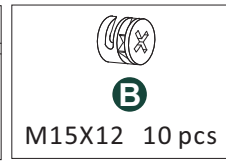
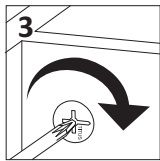
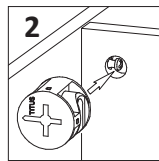
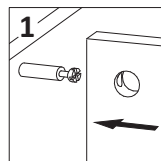
1



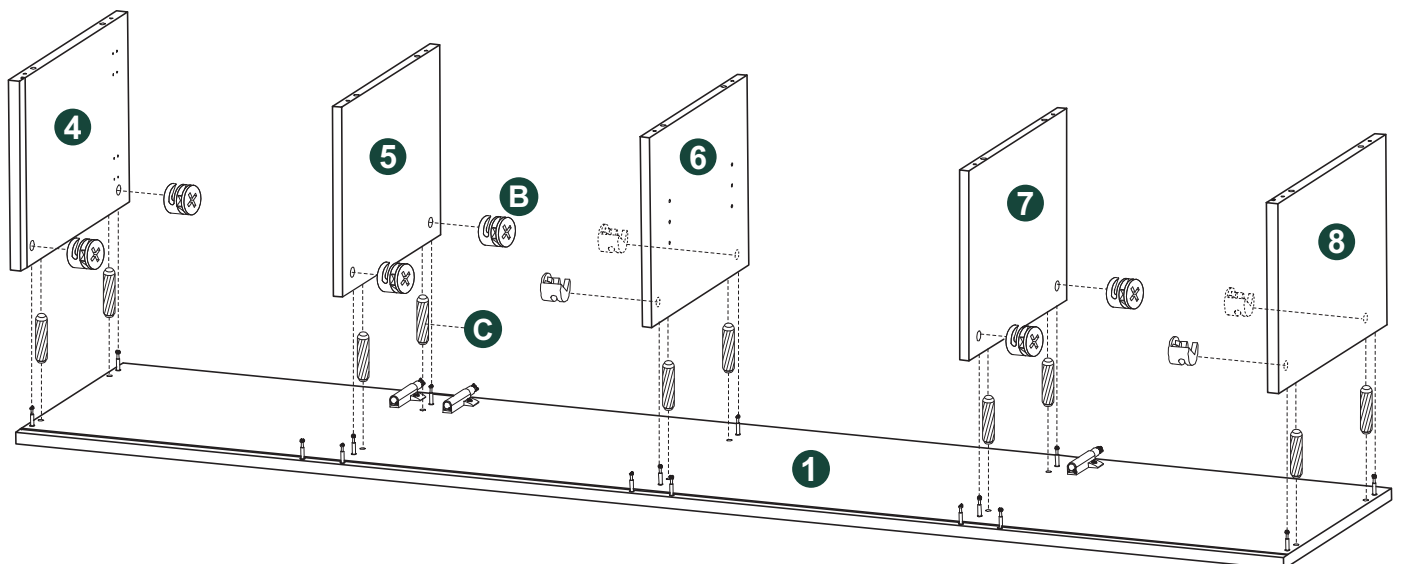
Use screwdriver to thread cam bolts (A) to panel (1) as shown below. Line up the holes of touchers (R) to pilot holes, use screwdriver to install screws (J) to attach touchers (R) to panel (1).



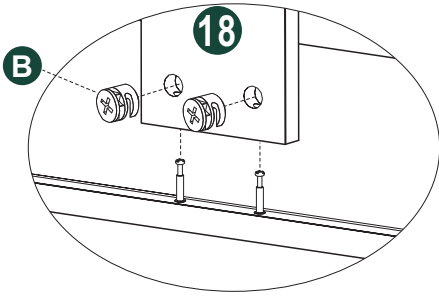
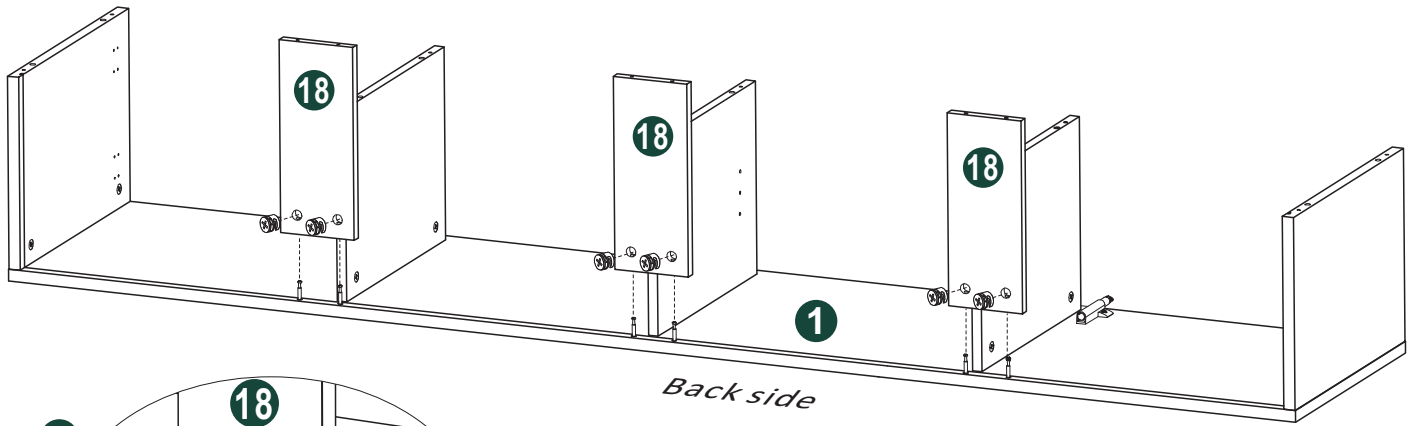
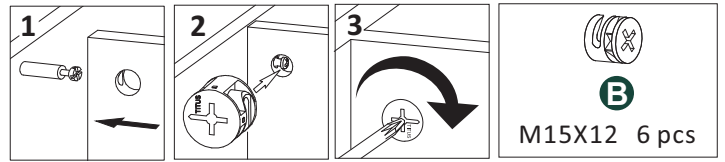
2



Insert wooden dowels (C) into end holes of panels (4), (5), (6), (7) and (8). Insert panels (4), (5), (6), (7) and (8) onto panel (1). Insert cam locks (B) into the holes of panels (4), (5), (6), (7) and (8) as shown below. Use screwdriver to turn cam locks (B) to secure panels (4), (5), (6), (7) and (8) to panel (1). Do not over tighten, this may break the cam lock.



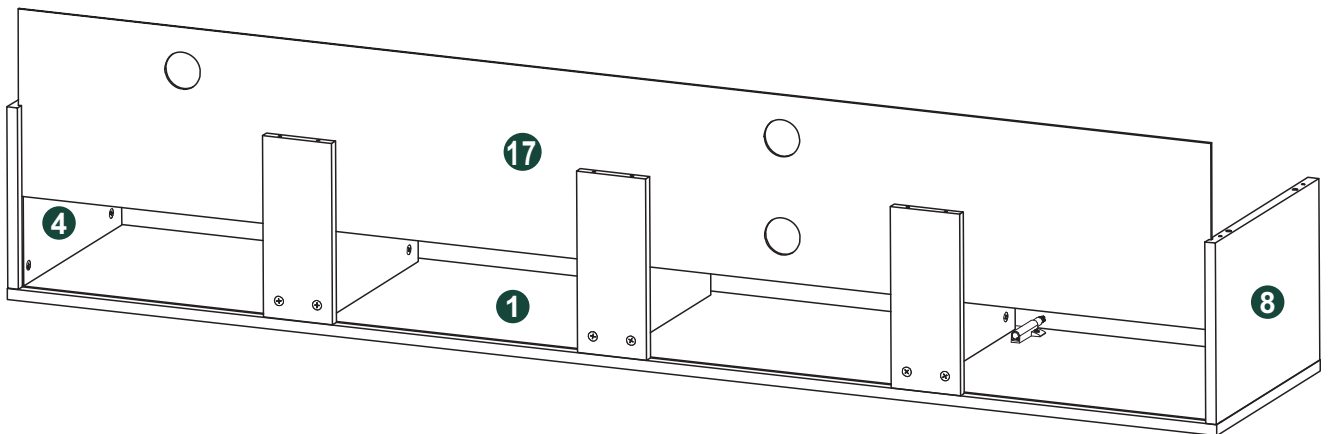
3





Insert panels (18) onto panel (1). Insert cam locks (B) into holes of panels (18), use screwdriver to turn cam locks (B) to secure panels (18) to panel (1). Do not over tighten, this may break the cam lock.

4

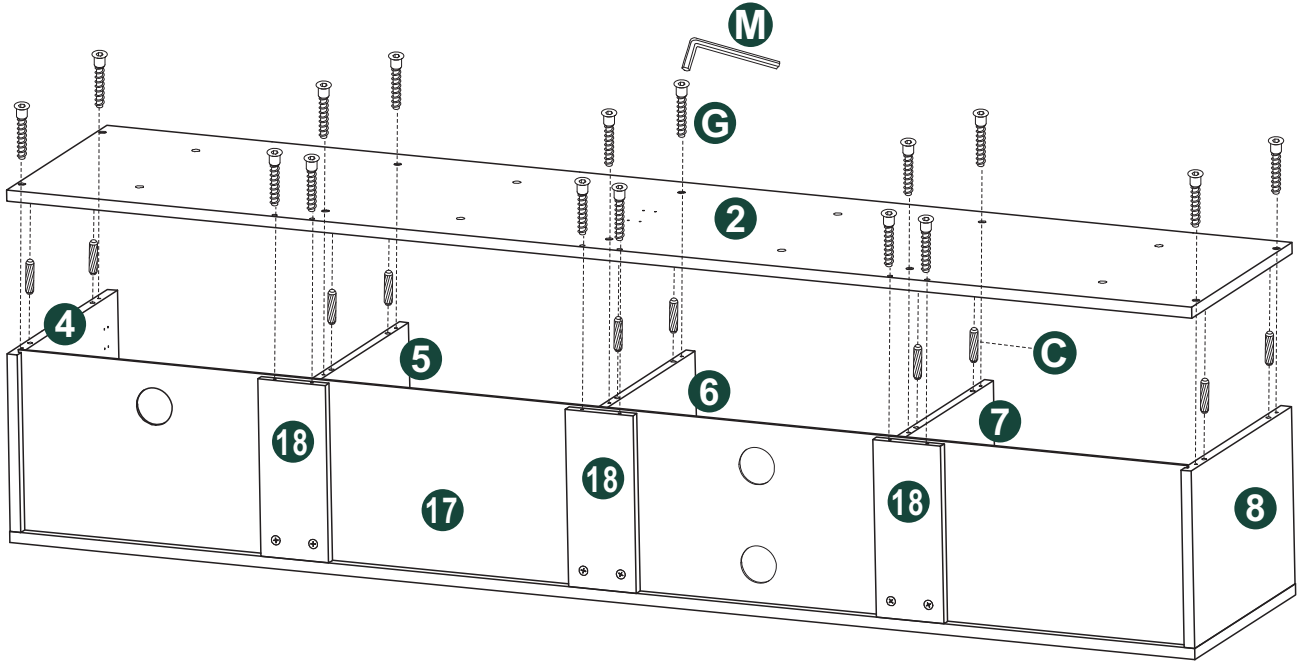
Attach back panel (17) to slots of panel (1), panel (4) and panel (8).



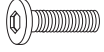
5

	
G	C
M7X50 16 pcs	M8X30 10 pcs

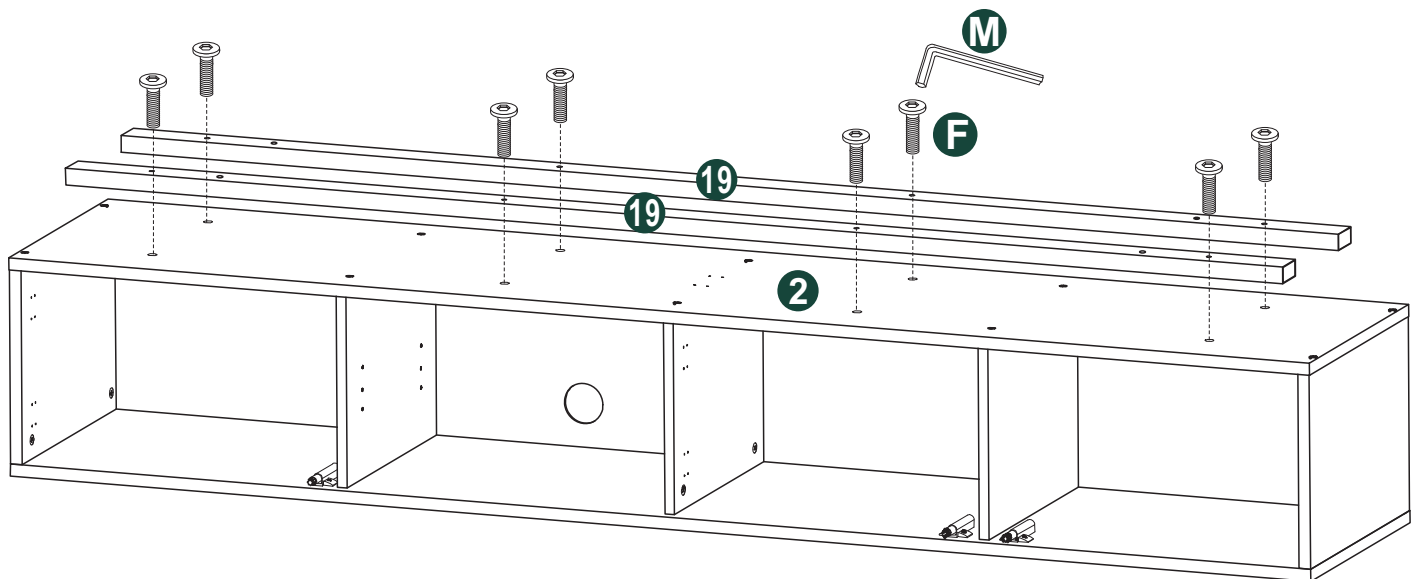
Insert wooden dowels (C) into top end holes of panels (4), (5), (6), (7) and (8). Attach bottom panel (2) as shown below. Use bolts (G) to attach. Tighten with Allen key (M).



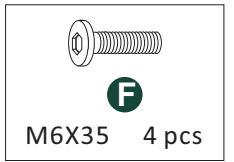
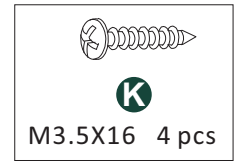
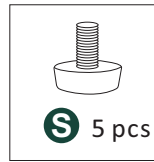
6


F
M6X35 8 pcs

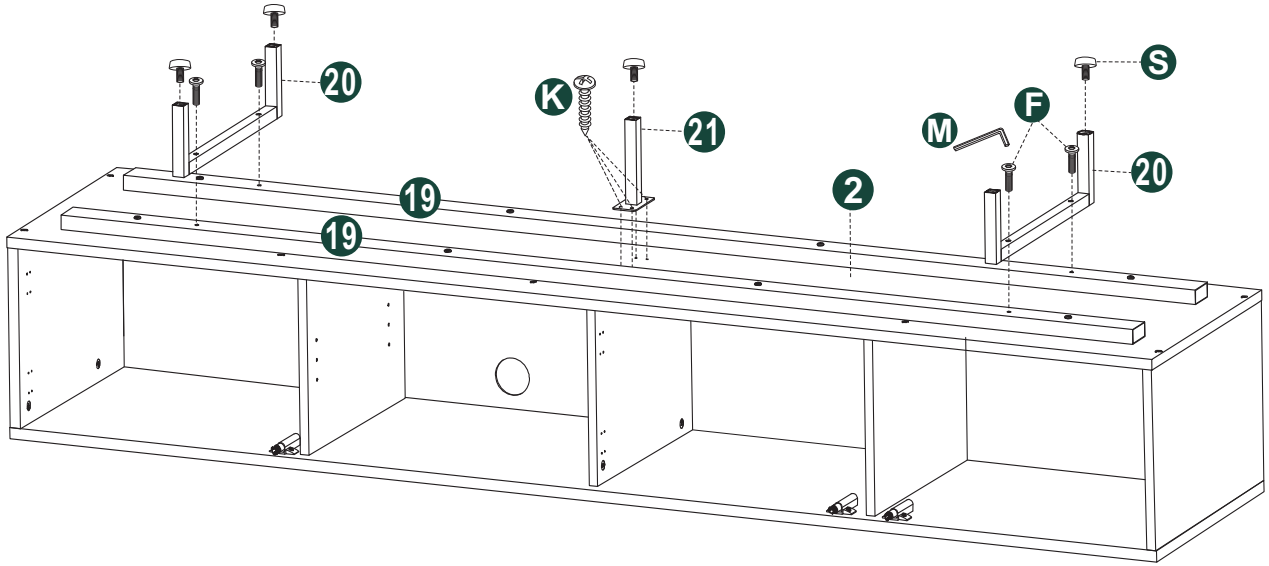
Attach metal rails (19) to bottom panel (2). Use bolts (F) to attach. Tighten with Allen key (M).



7

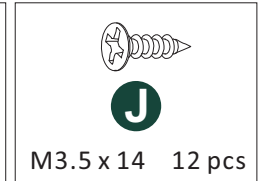
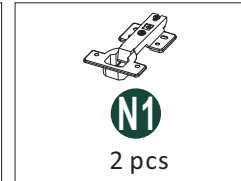
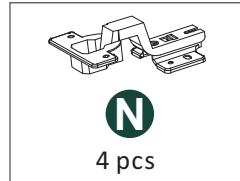


Attach metal legs (20) to metal rails (19), use bolts (F) to attach. Tighten with Allen key (M). Then attach metal leg (21) to bottom panel (2), use screwdriver to install screws (K) to attach. Thread adjustable levelers (S) into bottom of metal legs.

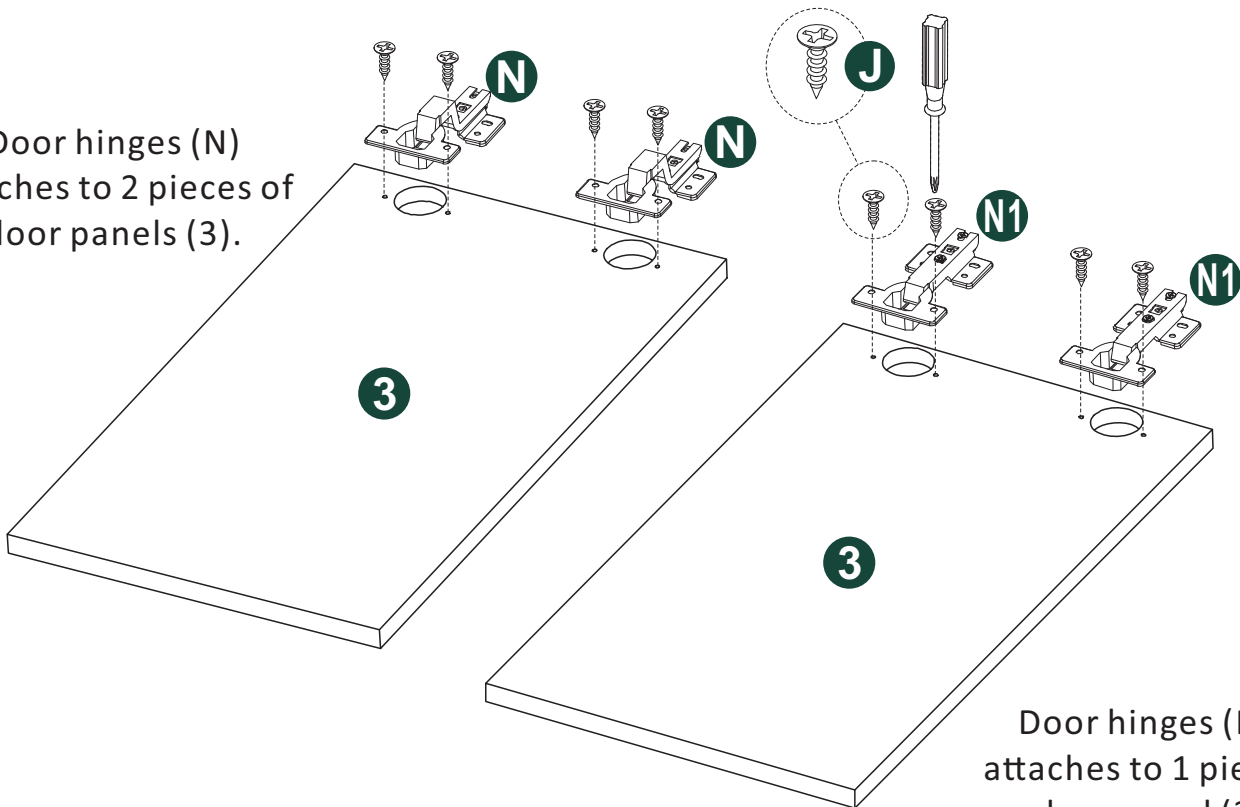


8

Use screwdriver to install screws (J) to attach hinges (N) and (N1) to door panels (3).



Door hinges (N) attaches to 2 pieces of door panels (3).



Door hinges (N1) attaches to 1 piece of door panel (3).

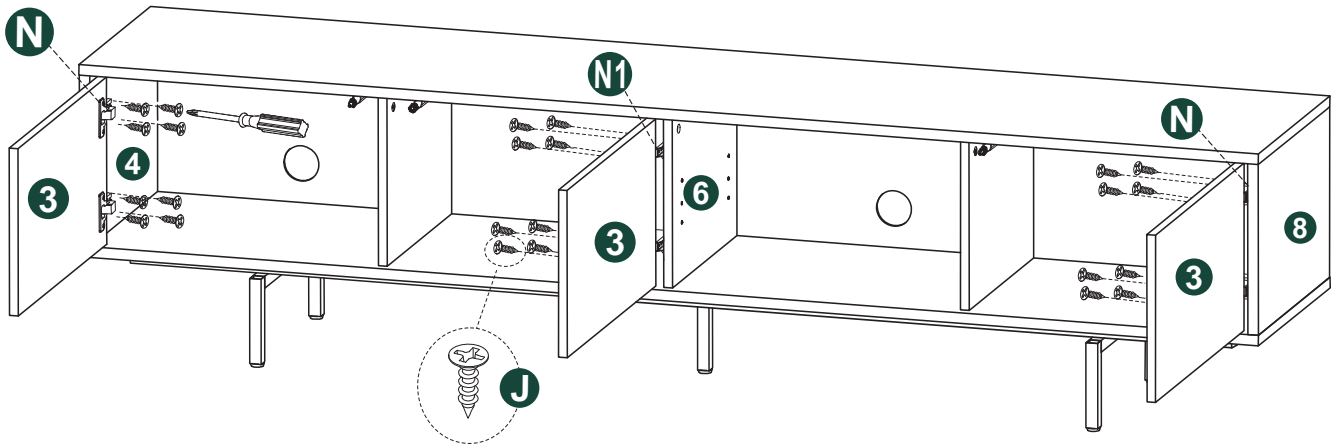
9

Use screwdriver to install screws (J) to attach hinges (N) and (N1) to panel (4), panel (6) and panel (8).



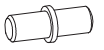
J

M3.5 x 14 24 pcs



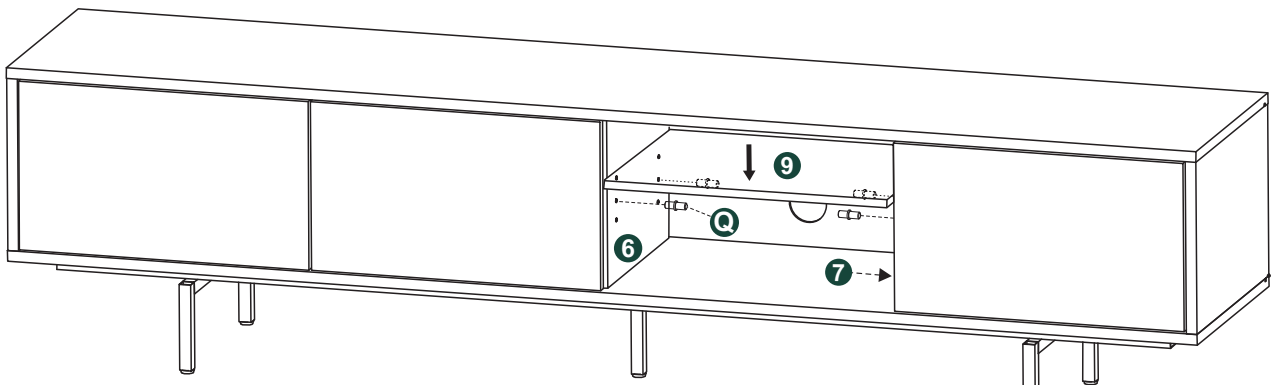
10

Insert shelf pins (Q) into panels (6) and (7), then place shelf panel (9) onto shelf pins (Q) as shown below.

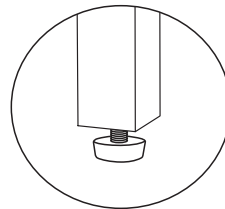


Q

4 pcs



Adjust the levelers in the bottom of legs to make the console steady.

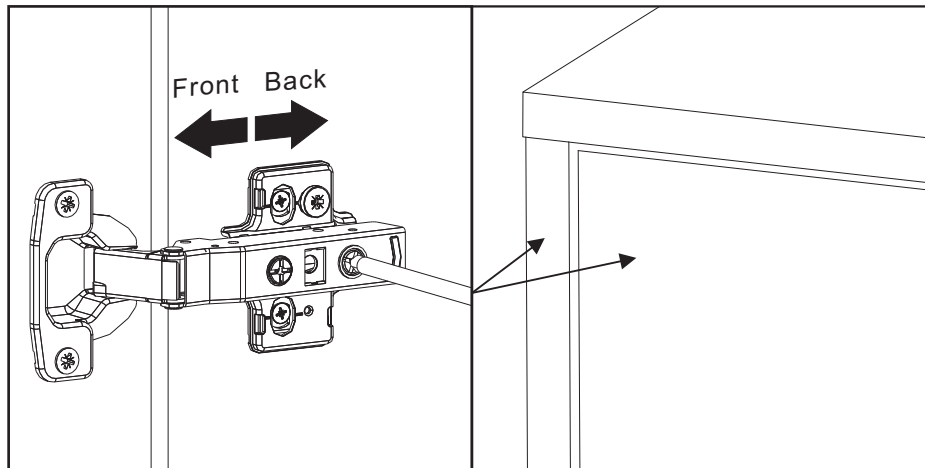


You're all finished!

See next page for door hinge adjustment

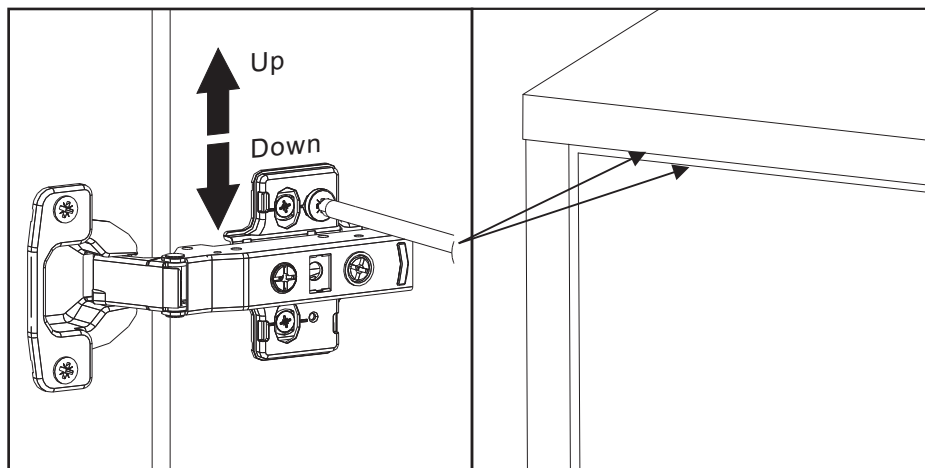
Door Hinge Adjustment Instruction

1.



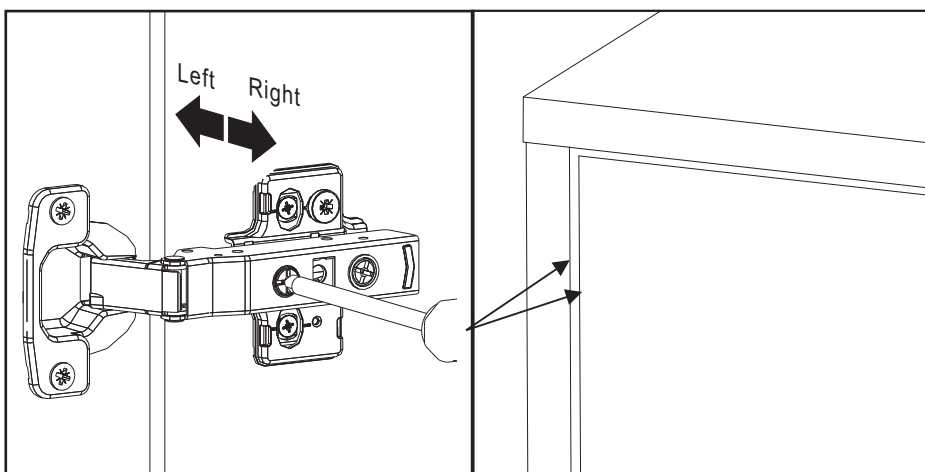
Adjust distance from front face of door panel to front edge of side panel.

2.



Adjust distance from top edge of door panel to bottom face of top panel.

3.



Adjust distance from left edge of door panel to inside face of side panel.