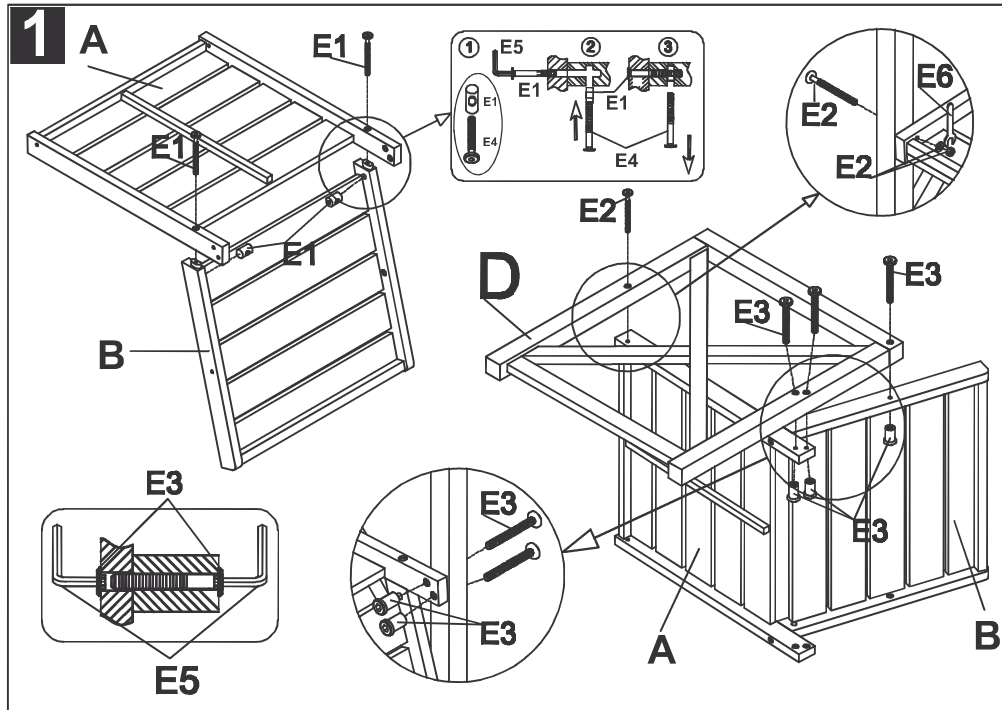
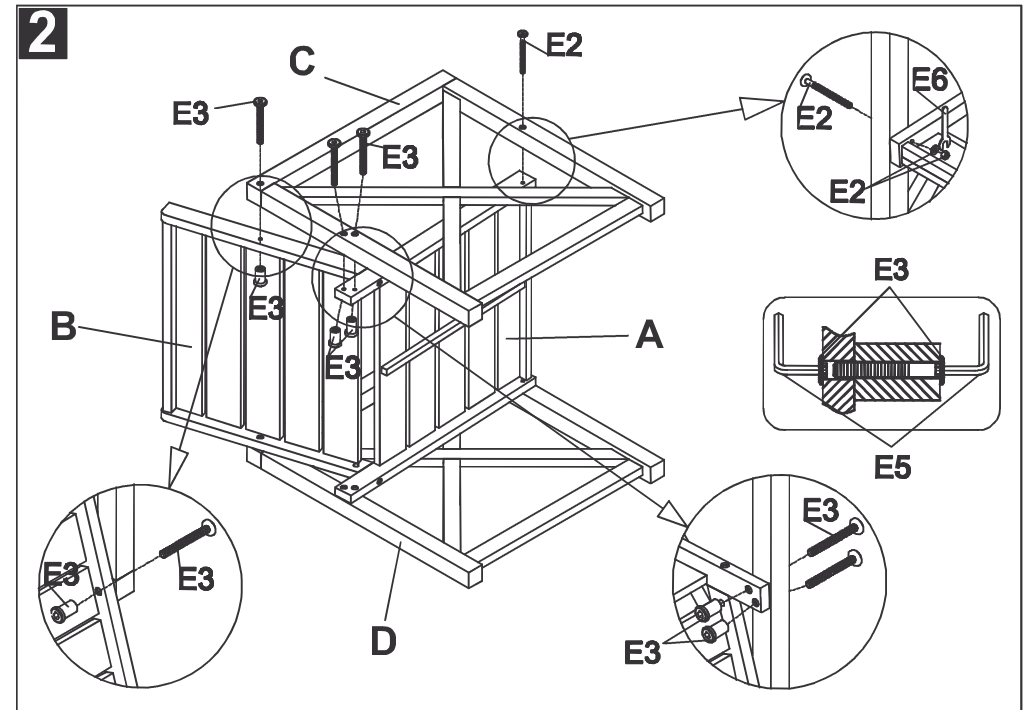


PREPARATION

Before beginning the assembly of the product, make sure all parts are present. Compare the parts with the package contents list and hardware contents list. If any parts are missing or damaged, do not attempt to assemble the product. Tool required for assembly (included): Allen Key and wrench.



Step 1: attach the back (B) to the seat (A) by using the Allen Nut (E1). Tighten with the Allen Key (E5) as shown on the picture. Then attach the left side (D) to the back and seat by using the Allen bolt S (E3) and the Allen bolt L (E2). Tighten with the Allen key (E5) and wrench (E6) as shown on the picture.



Step 2: attach the right side (C) to the chair as shown on the picture with the same hardware used with step 1.











CARE AND MAINTENANCE

Store outdoor furniture indoors or cover well when it is not in use. Dust regularly with small brush or vacuum. Spills should be taken care of immediately before they harden or stain with a slightly dampened sponge.

NOTICE

Please make sure that you have all parts indicated before you begin assembly of this item.

Part List and Hardware List

PIECE	DESCRIPTION	PICTURE	QUANTITY
A	Seat		1 X
B	Back		1 X
C	Right side		1 X
D	Left side		1 X
E 1	Allen nut		2 X
E 2	Allen bolt L		2 X
E 3	Allen bolt S		6 X
E 4	Allen bolt		1 X
E 5	Allen Key		2 X
E 6	Wrench		1 X

Product Dimension: 23.62"W x 24.8"D x 33.46"H

