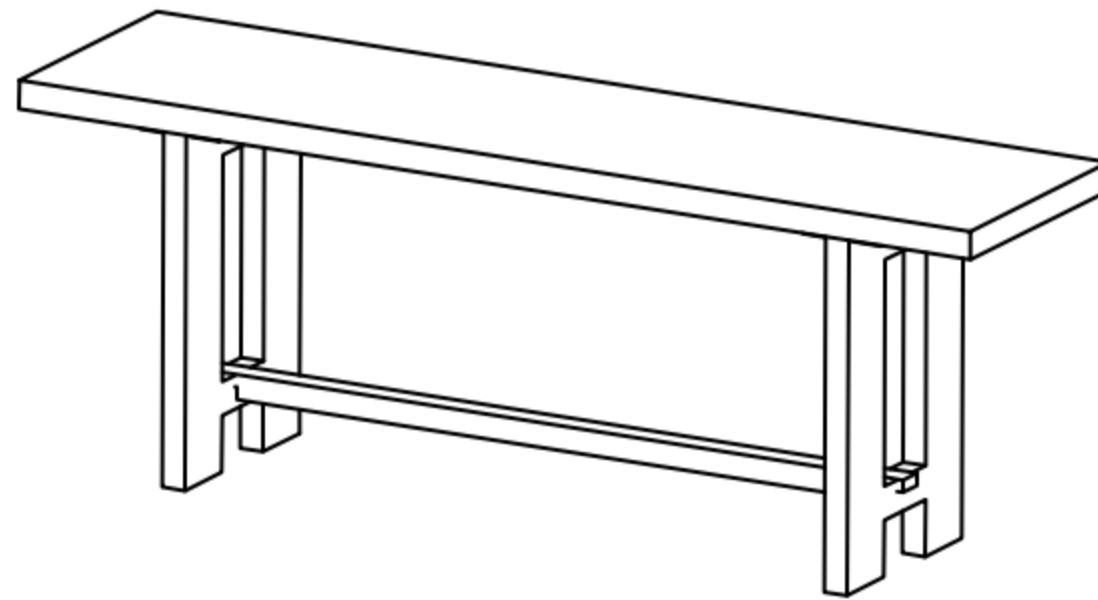


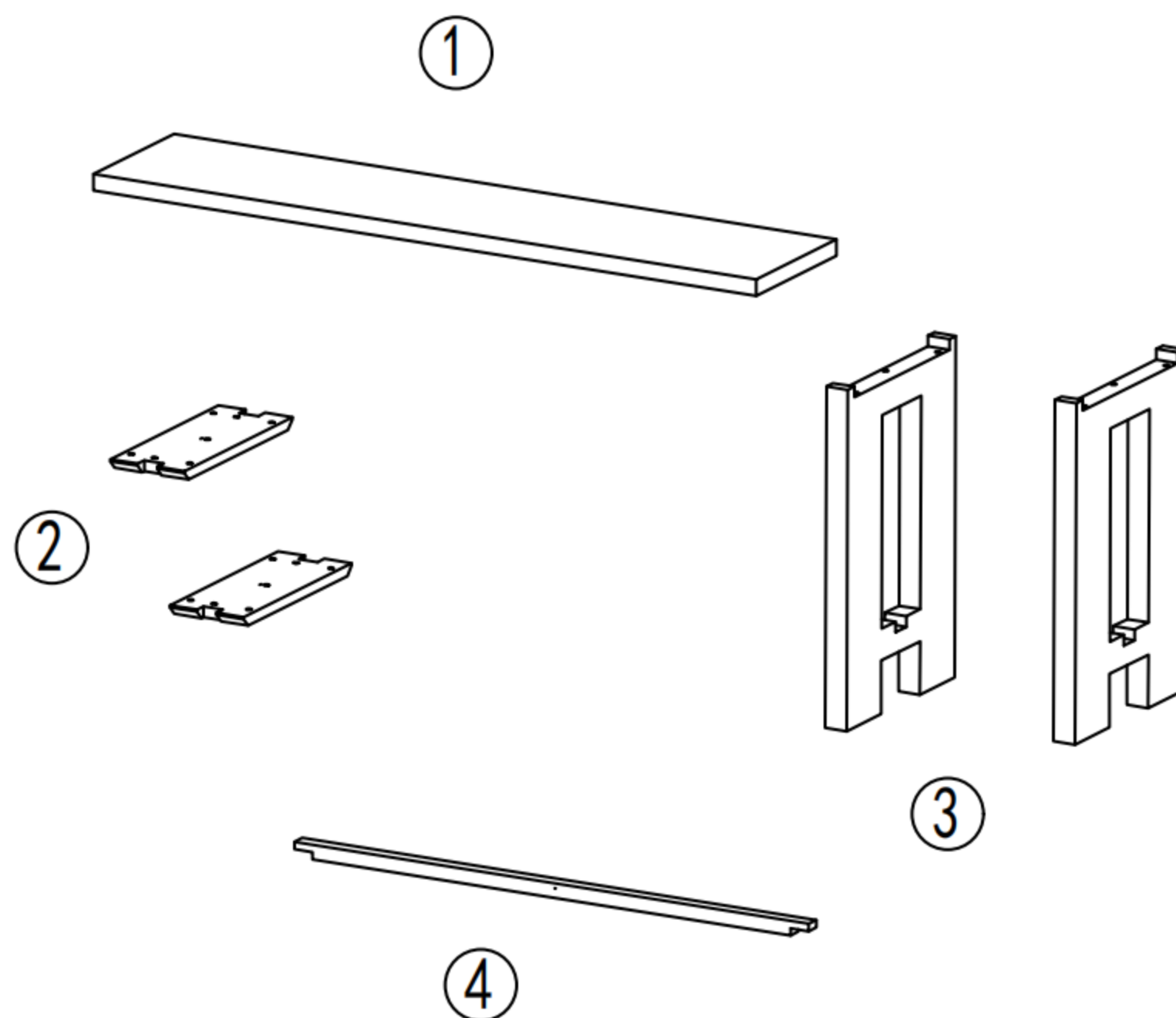
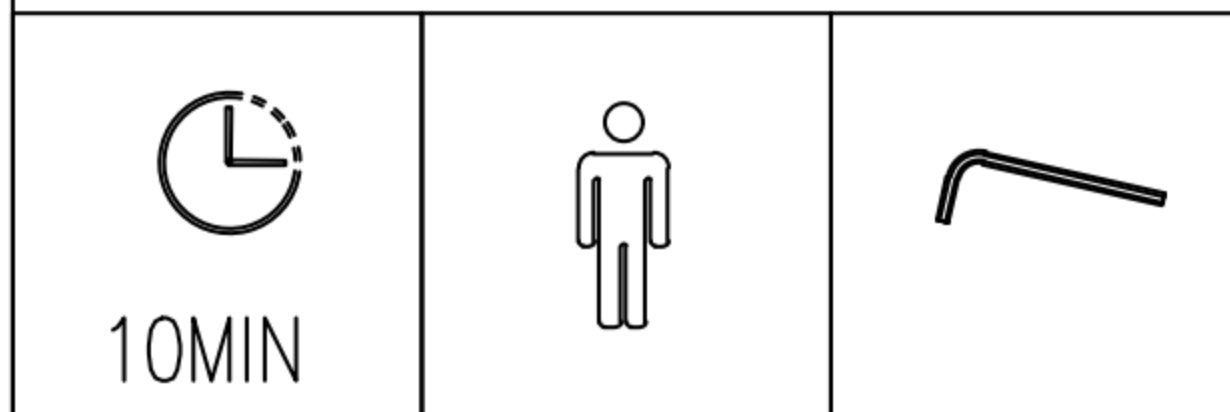
ASSEMBLY INSTRUCTIONS






Caution : Please check whether the bolts are loose every 3-6 months and tighten the bolts .



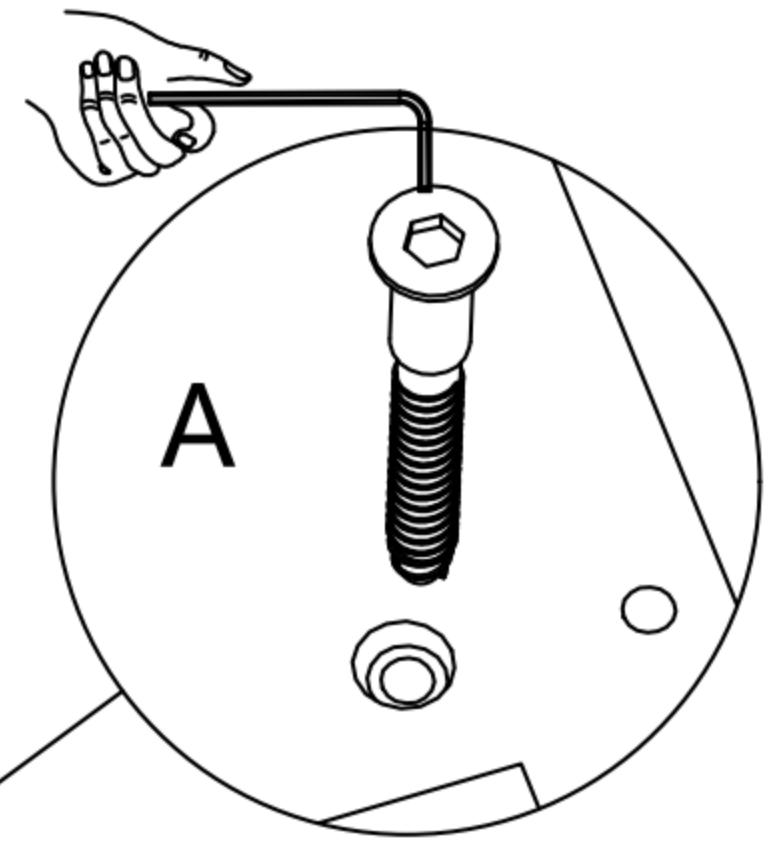
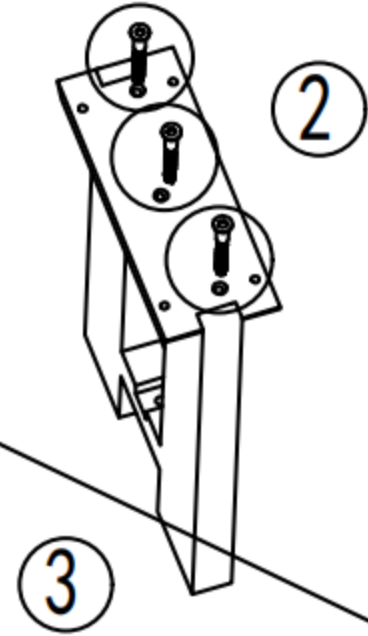
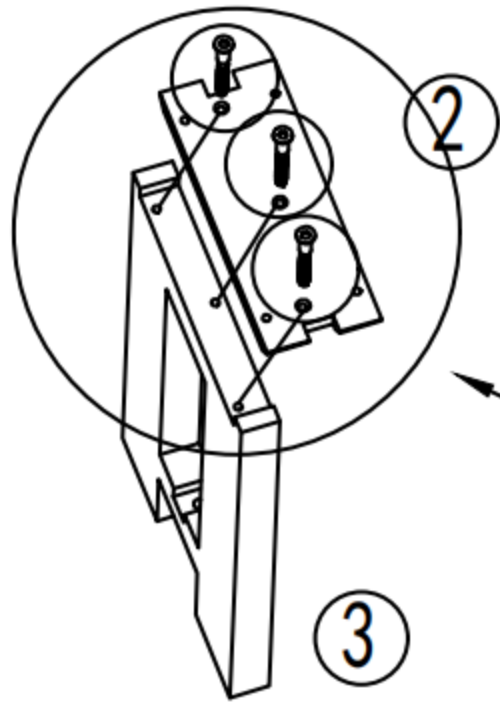
If there is any missing, please kindly send us messages to let us know the name of missing part regarding to the first page of instructions. We will send replacement to you asap. We are concerned about each customer's experience, if there is any loss or damage, please contact us at any time, we will provide effective solutions.

Please attach your Order ID so that we can assist you better.



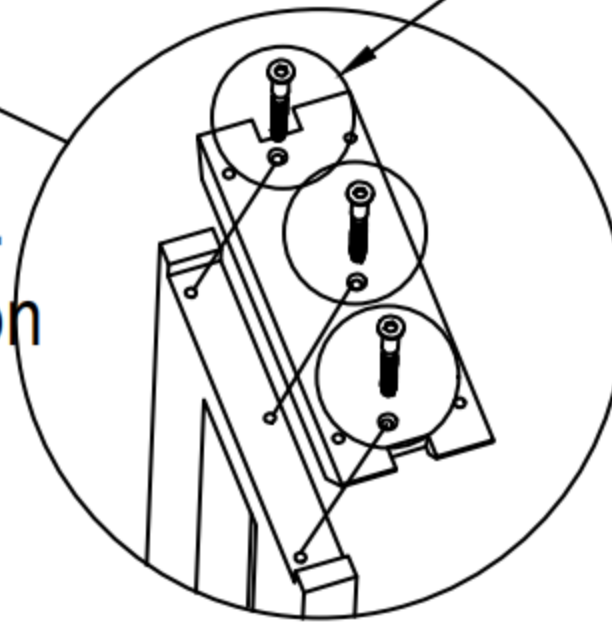
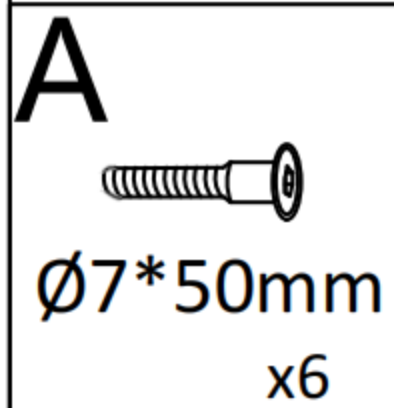
A  Ø7*50mm x6+1	B  Ø8*45mm x10+1	C  x10+1	D  x10+1	E  x4+2
--	---	--	--	---

- 1** Please tighten the bolts to 70% first, and tighten bolts 100% after all bolts assembled



! Secure trapezoidal block #2 to leg #3 with the wider side facing upward.

Ensure the three screw holes on block #2 align correctly with the corresponding holes on leg #3.



- 2** Please tighten the bolts to 70% first, and tighten bolts 100% after all bolts assembled. If the holes don't align, go back to step 1 and adjust Parts #2.

