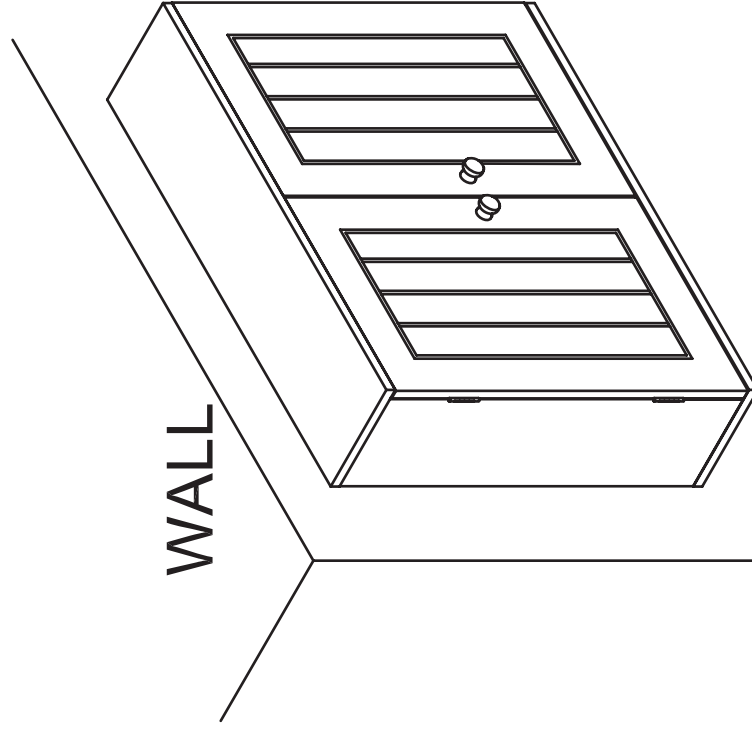


ASSEMBLY INSTRUCTIONS

<<Before assembling, read all the instructions>>

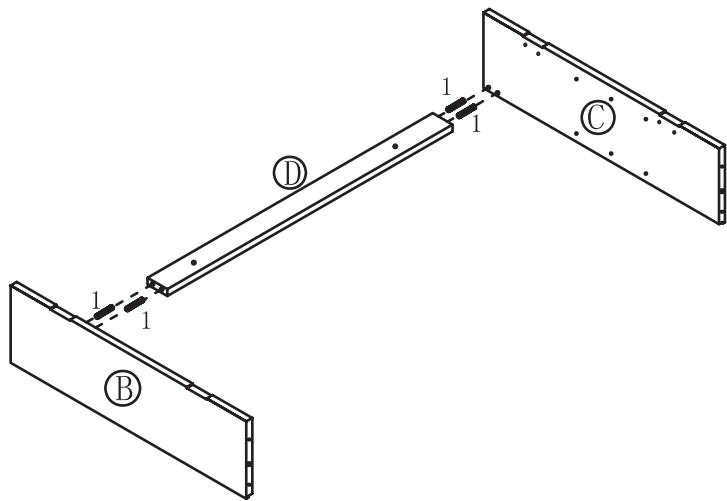


Hardware:

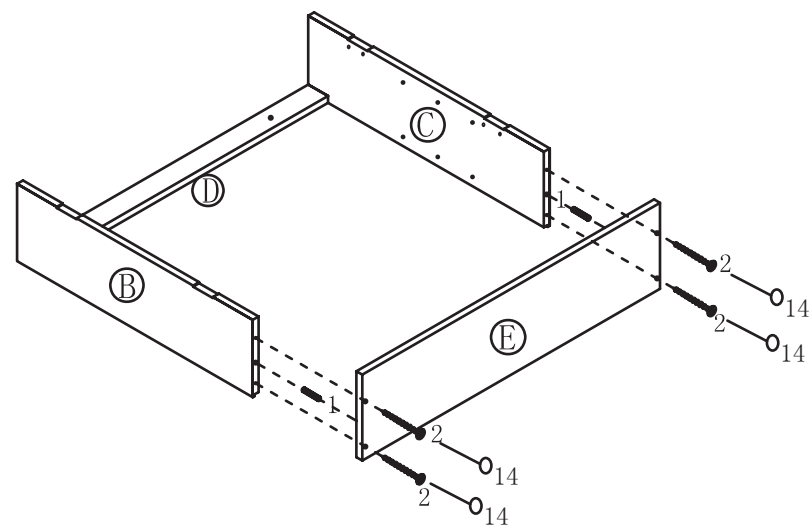
Letter	Draw	Number	Letter	Draw	Number
1	6x30mm	8pcs	8		2pcs
2	4x30mm	8pcs	9	4x25mm	2pcs
3		2pcs	10		2pcs
4		1pc	11		2pcs
5		16pcs	12		2pcs
6		4pcs	13		4pcs
7		18pcs	14		10pcs

Components:

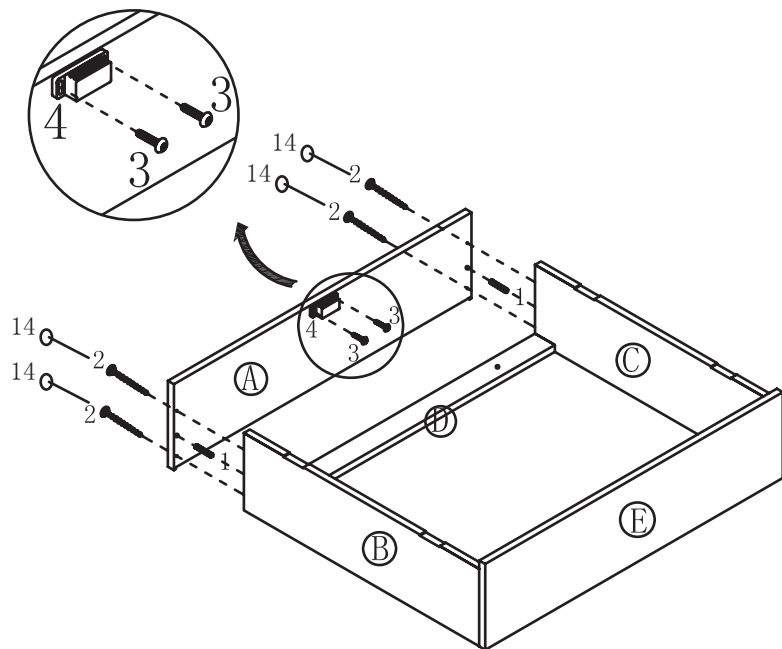
Letter	Draw	Number	Letter	Draw	Number
A		1pc	F		1pc
B		1pc	H		1pc
C		1pc	I		1pc
D		1pc	J		1pc
E		1pc	K		1pc



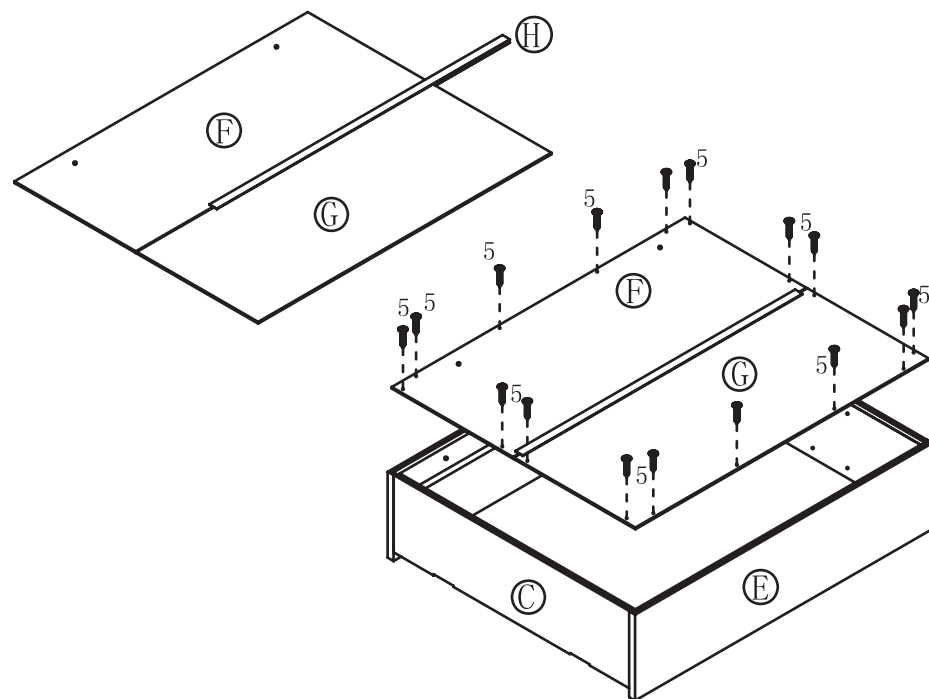
Step 1



Step 2



Step 3



Step 4

