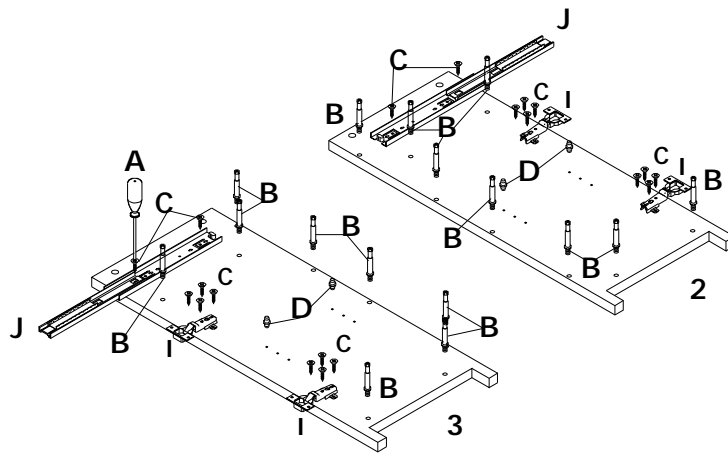


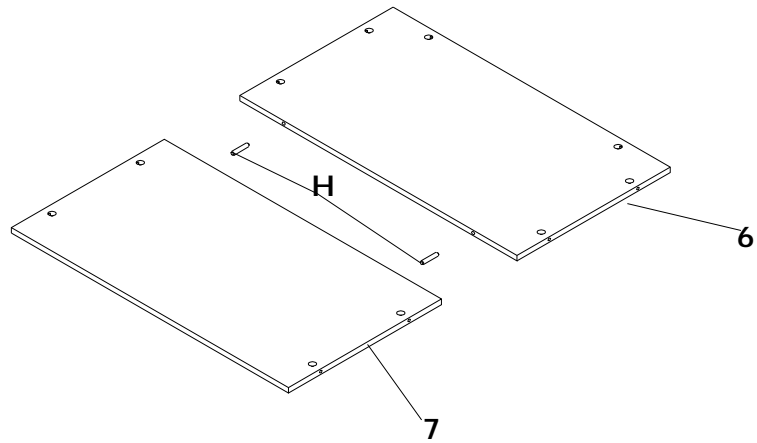
<b>A</b>	X1	<b>B</b>	X26+1	<b>C</b>	X46+1
					3.5*12
<b>D</b>	X4+1	<b>E</b>	X1	<b>F</b>	X4+1
			M4		7*38
<b>G</b>	X26+1	<b>H</b>	X2	<b>I</b>	X4
			8*40		

<b>J</b>	X2	<b>K</b>	X2	<b>L</b>	X2	<b>M</b>	X3	<b>1</b>	X1	<b>2</b>	X1
<b>3</b>	X1	<b>4</b>	X1	<b>5</b>	X1	<b>6</b>	X1	<b>7</b>	X1	<b>8</b>	X1
<b>9</b>	X1	<b>10</b>	X1	<b>11</b>	X1	<b>12</b>	X1	<b>13</b>	X1	<b>14</b>	X1
<b>15</b>	X1										

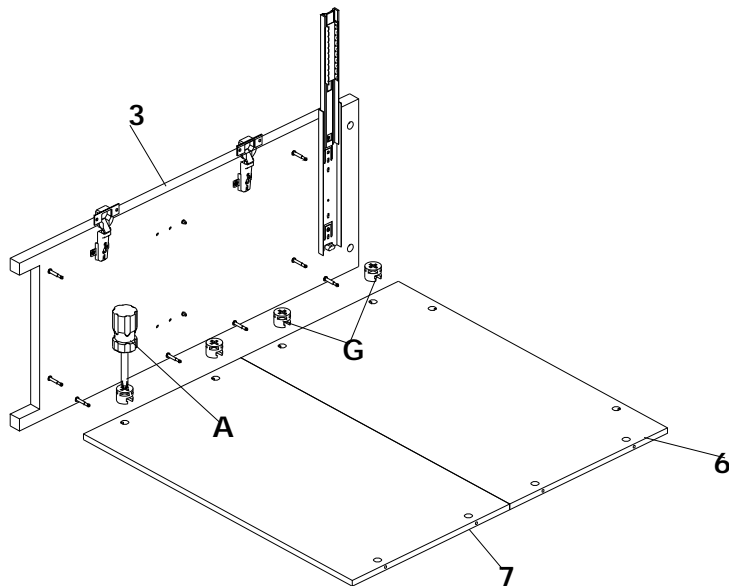
1



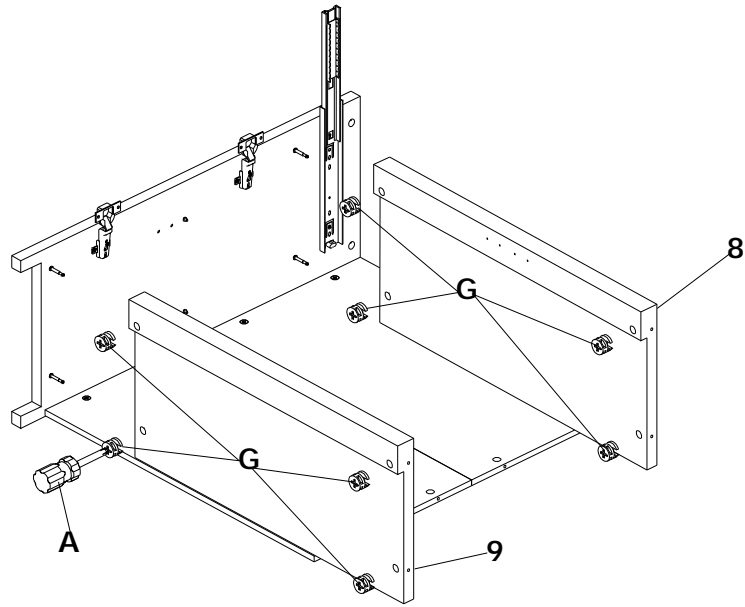
2



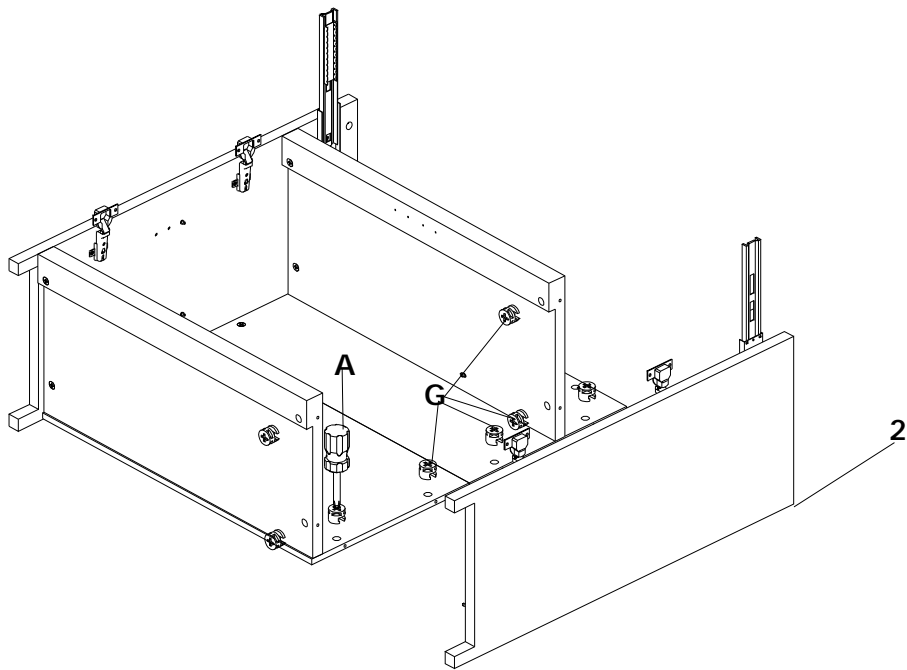
3



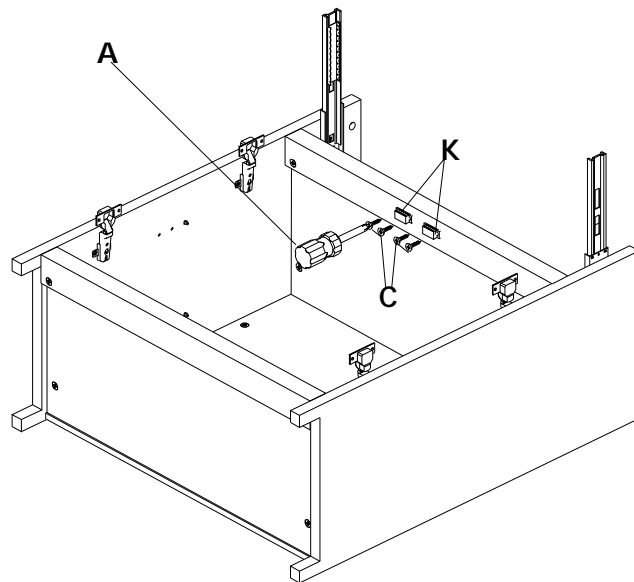
4



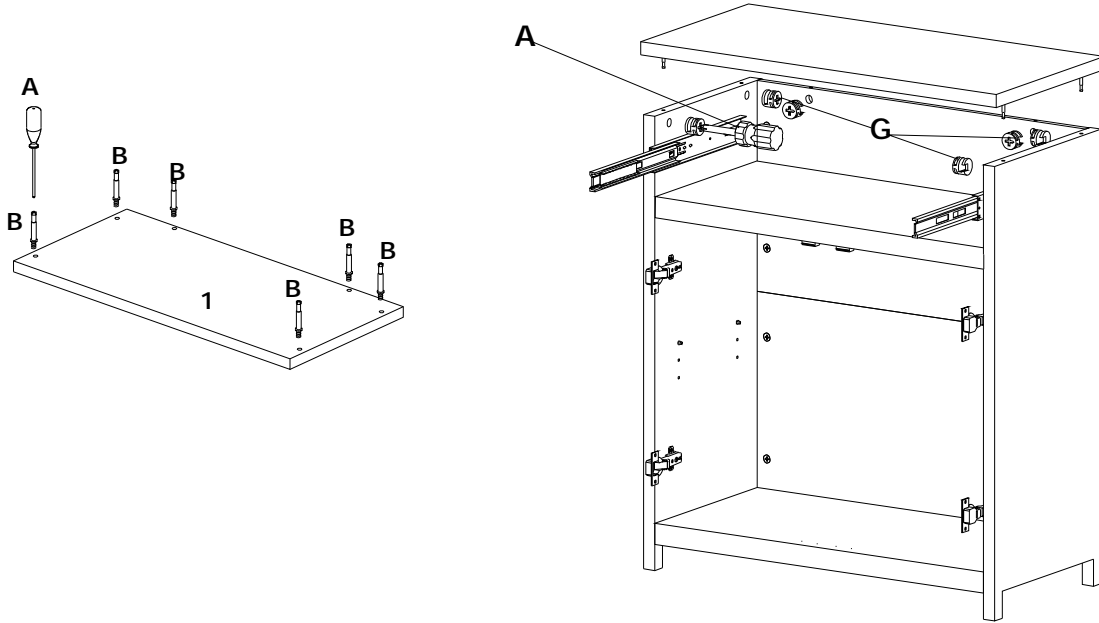
5



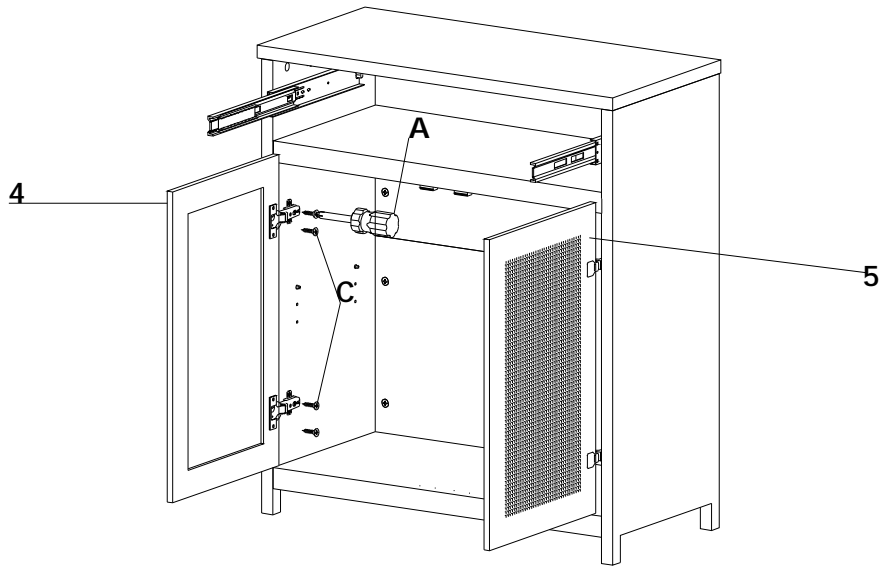
6



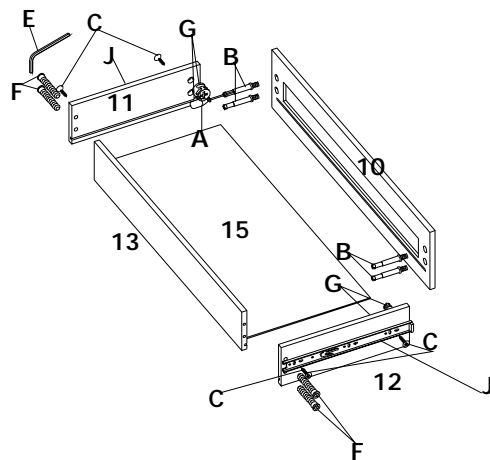
7



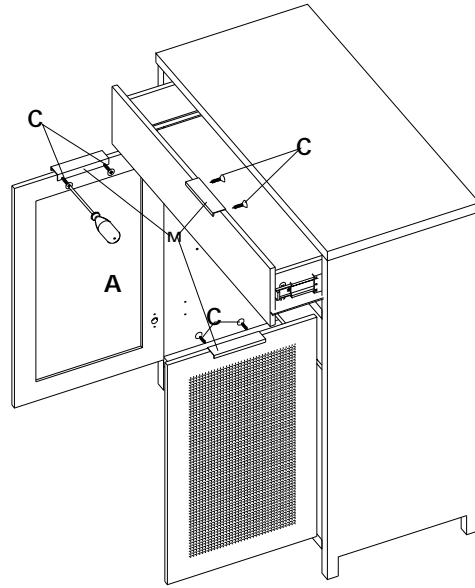
8



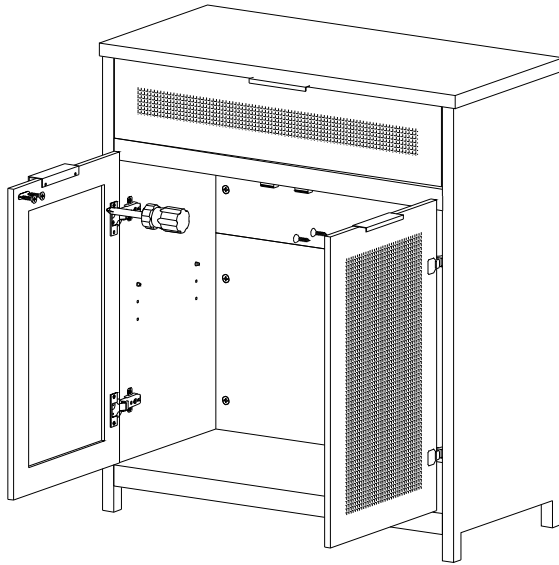
9



10



11



12

