

INSTALLATION MANUAL

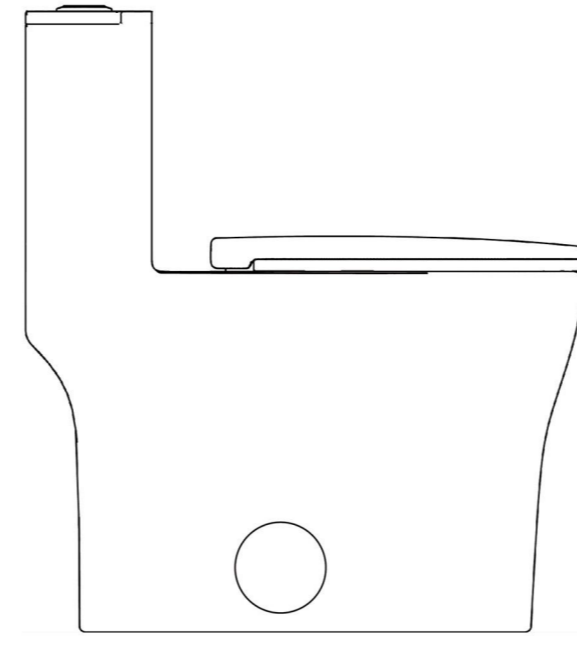
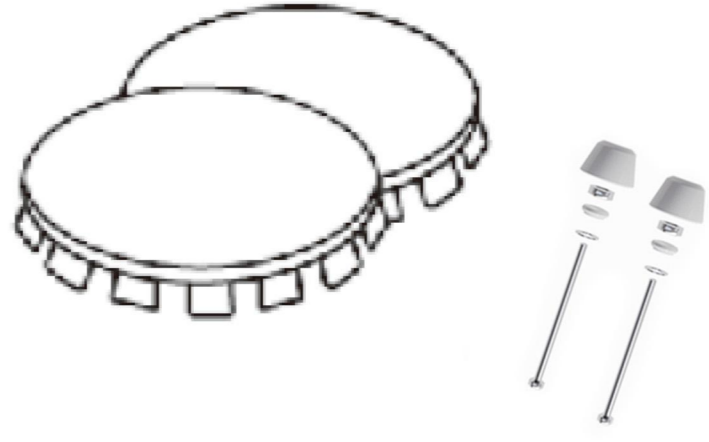
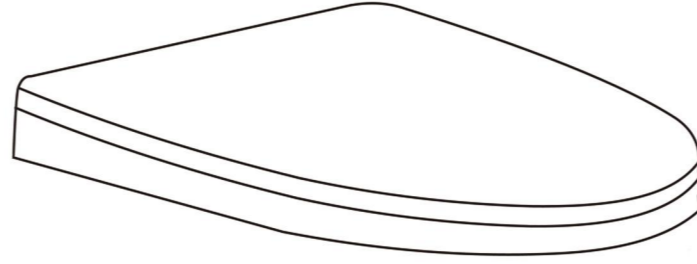

BYBARENOVA®

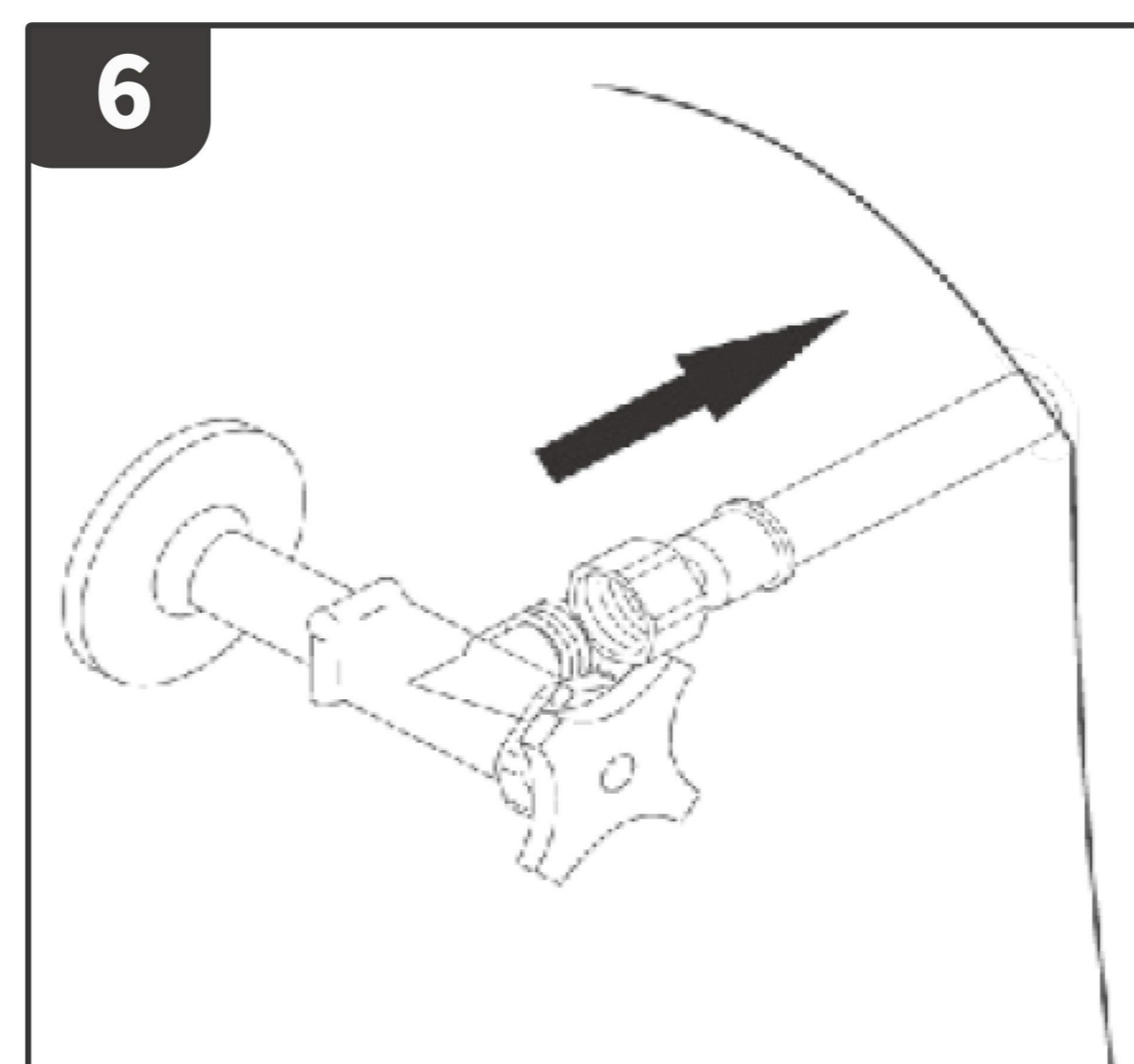
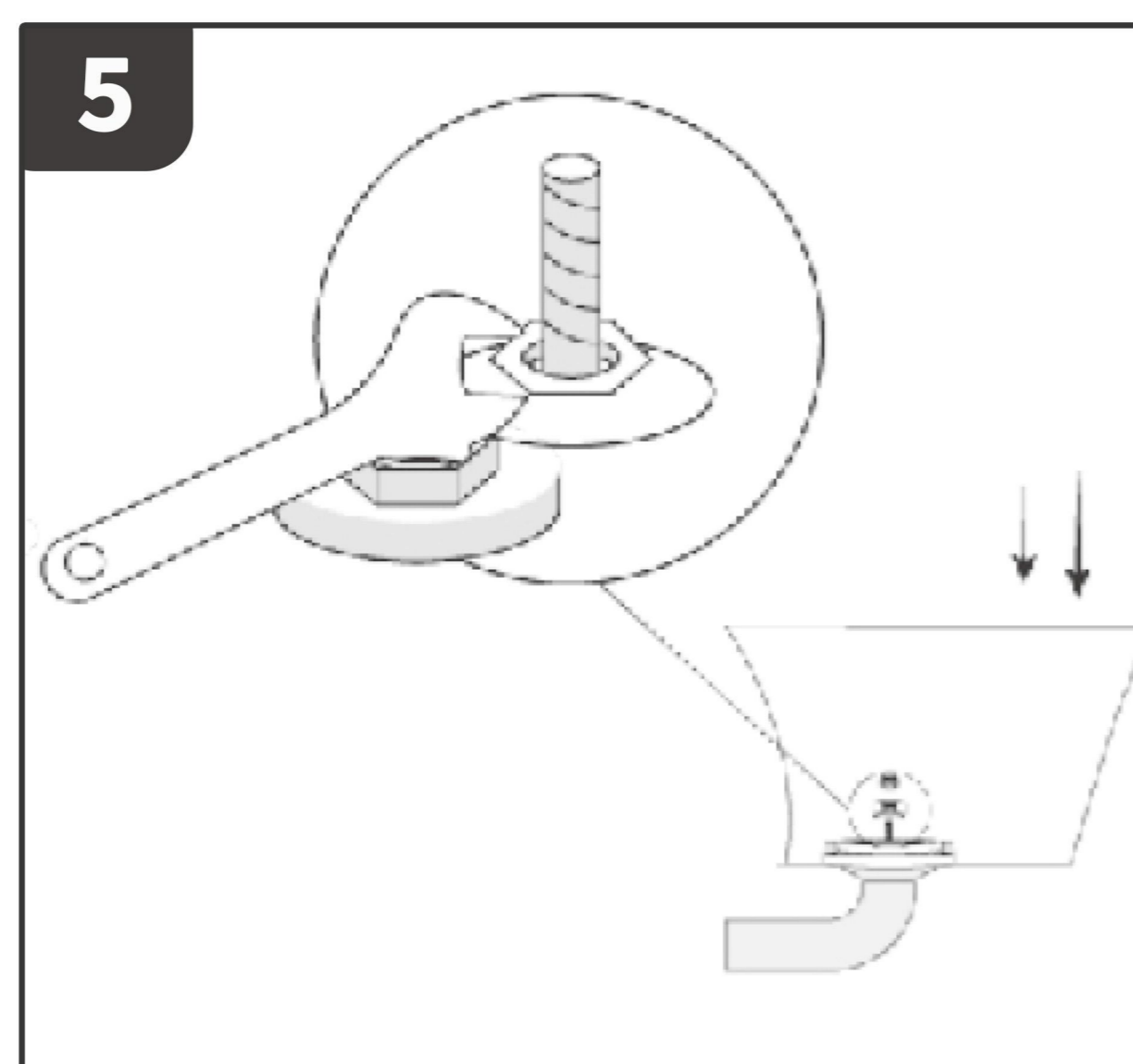
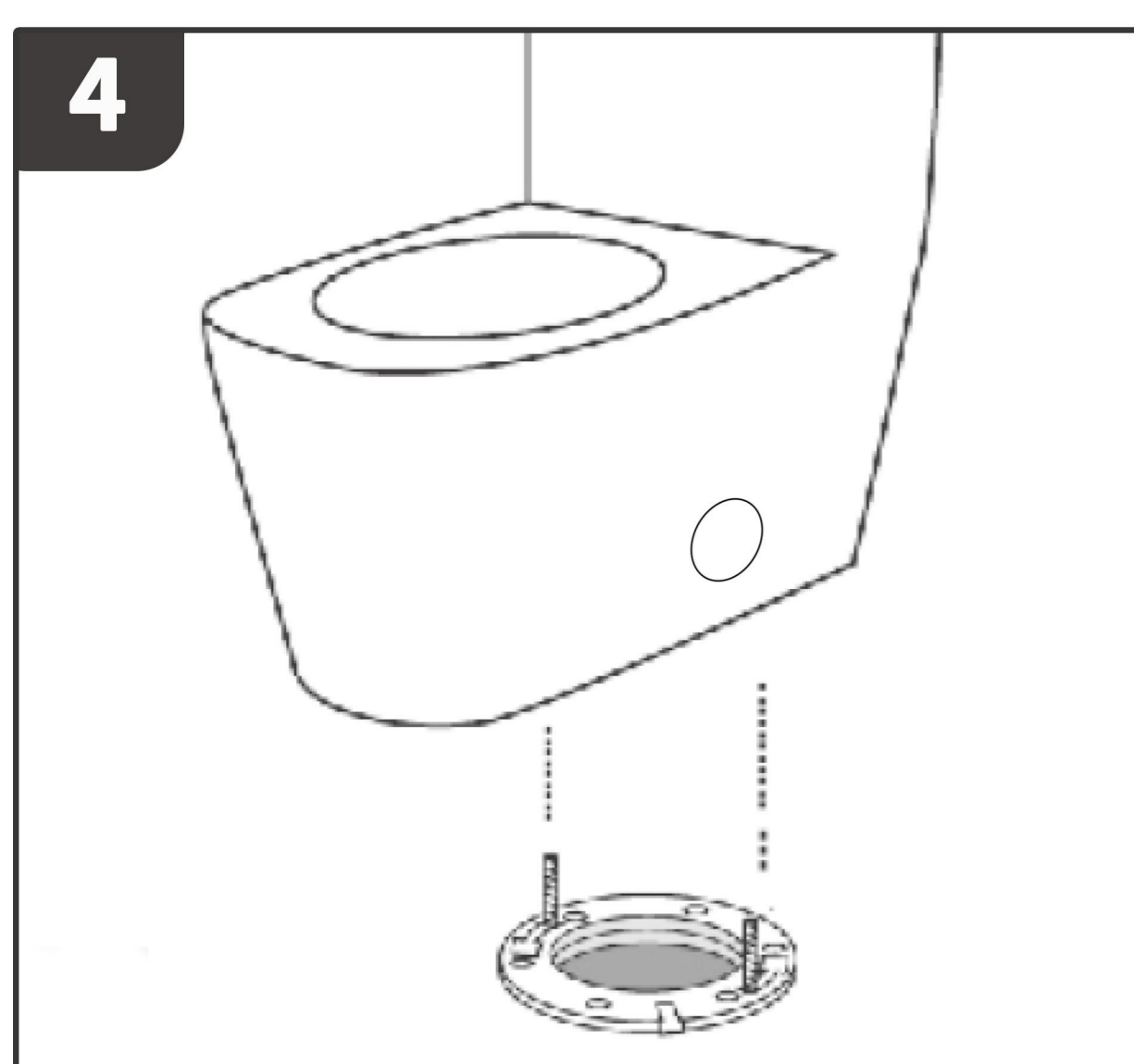
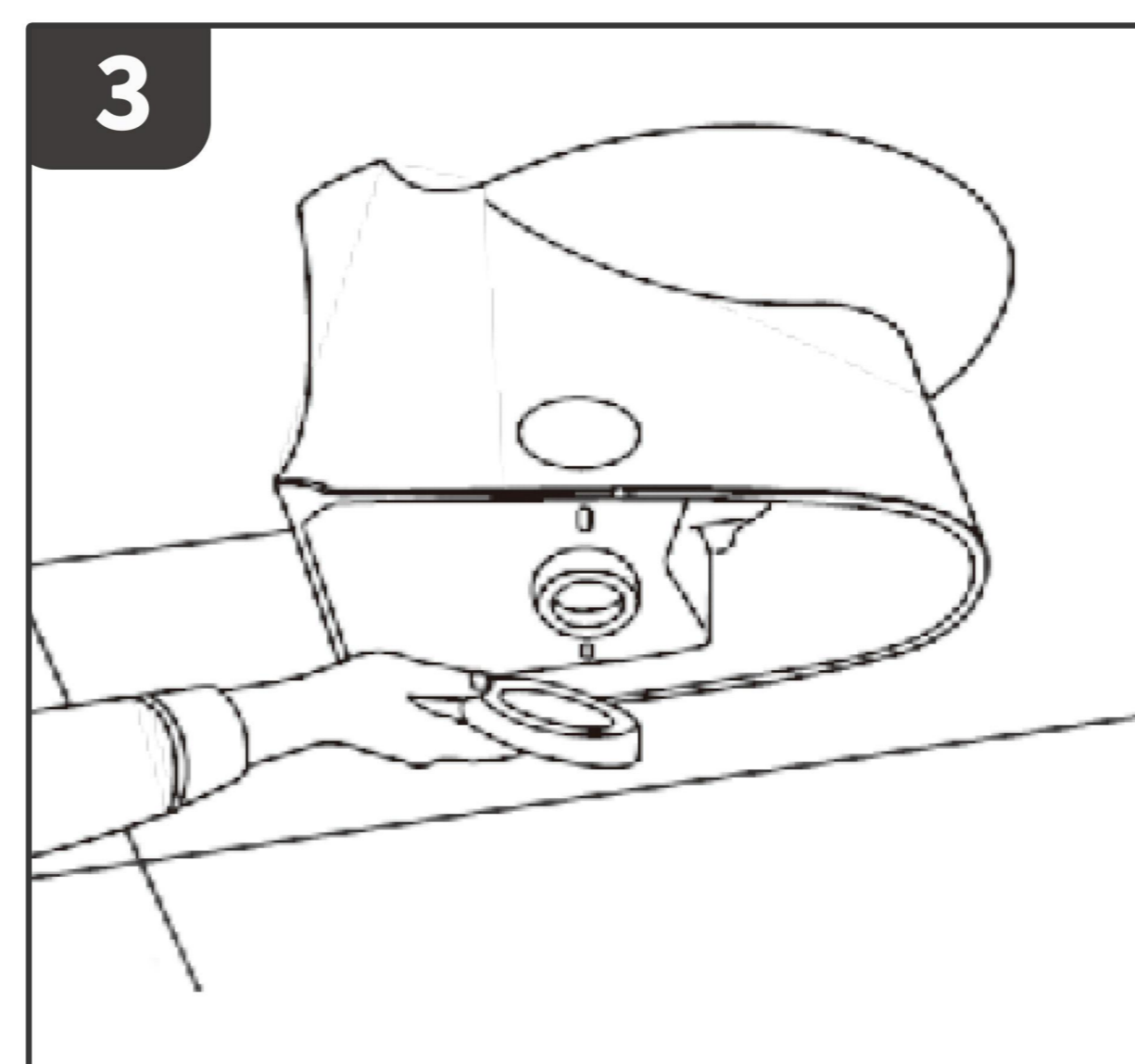
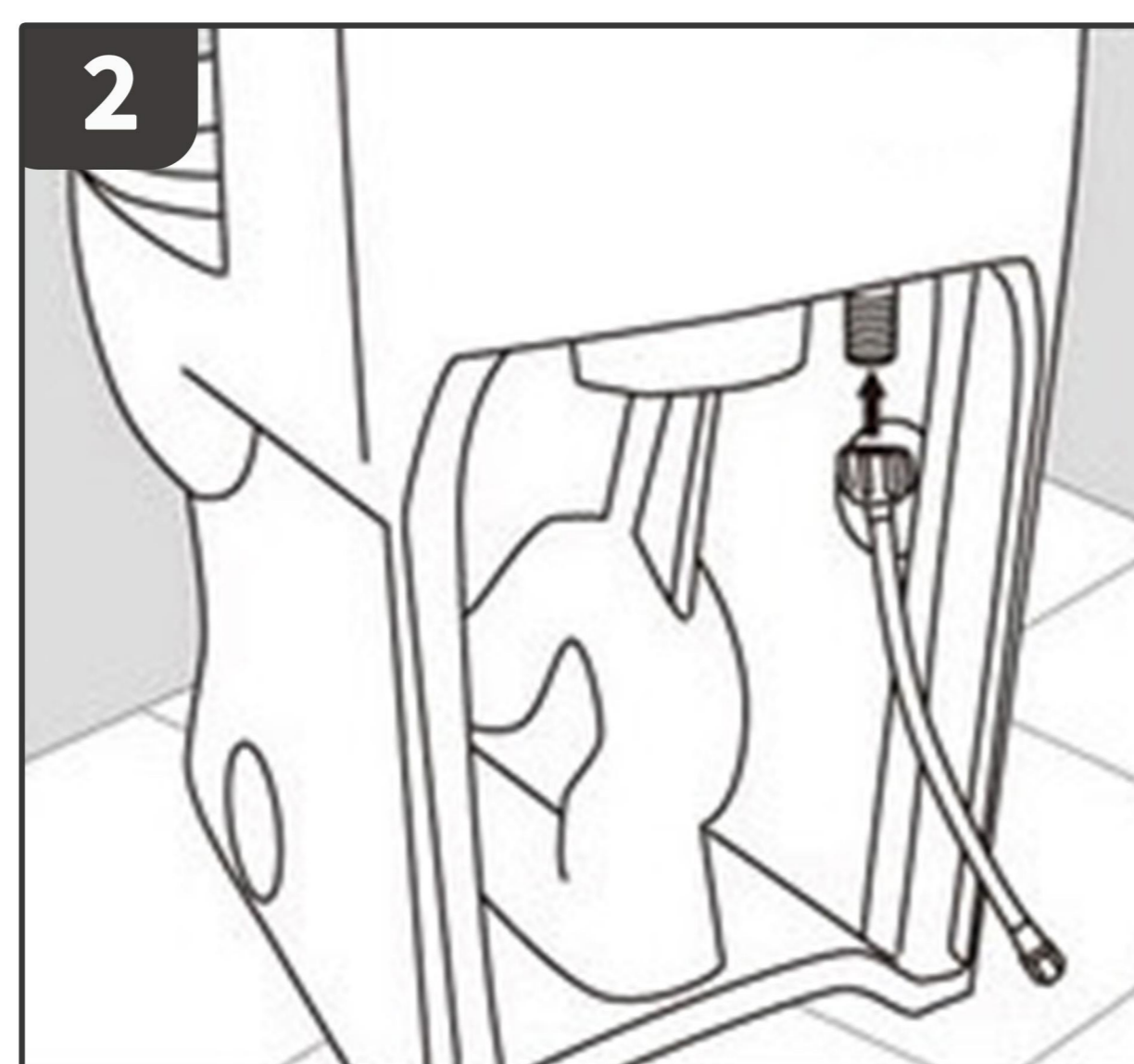
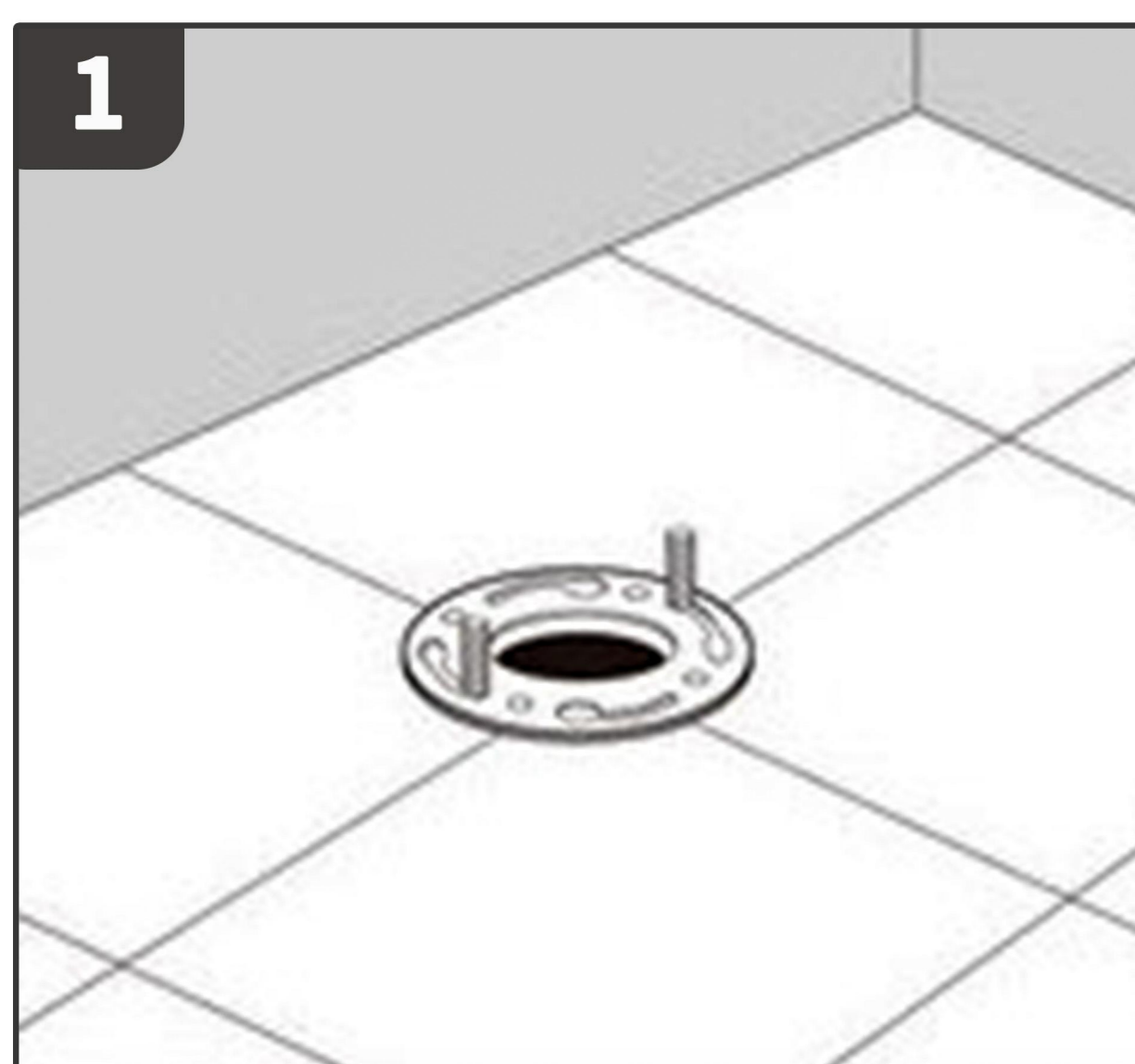
Round One Piece Toilet
for Small Bathroom
0.8/1.28 GPF Dual Flush



List of Parts

THE TOILET SHOULD INCLUDE THE FOLLOWING PARTS. PLEASE INSPECT BOX CONTENTS TO ENSURE YOU HAVE RECEIVED ALL PARTS.

ITEM	DESCRIPTION	ITEM	DESCRIPTION
	1-piece toilet bowl		Cover caps and bolts
	Toilet seat		Wax ring



Toilet Bowl Installation Instructions

STEP 1

Install new floor bolts into floor flange.

STEP 2

Attach water supply hose to toilet tank and tighten manually. DO NOT connect to water supply valve in this step.

STEP 3

Attach wax ring.

STEP 4

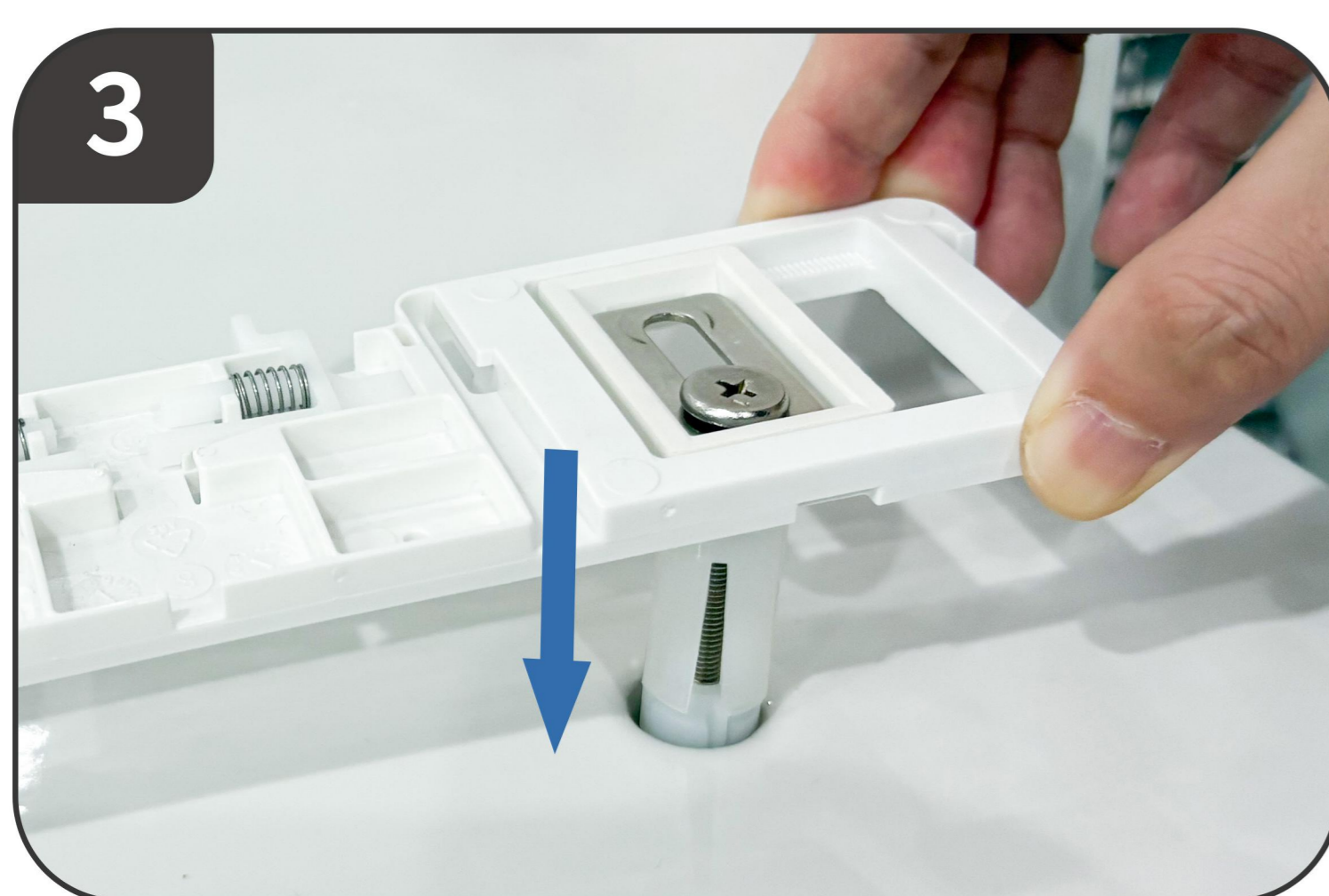
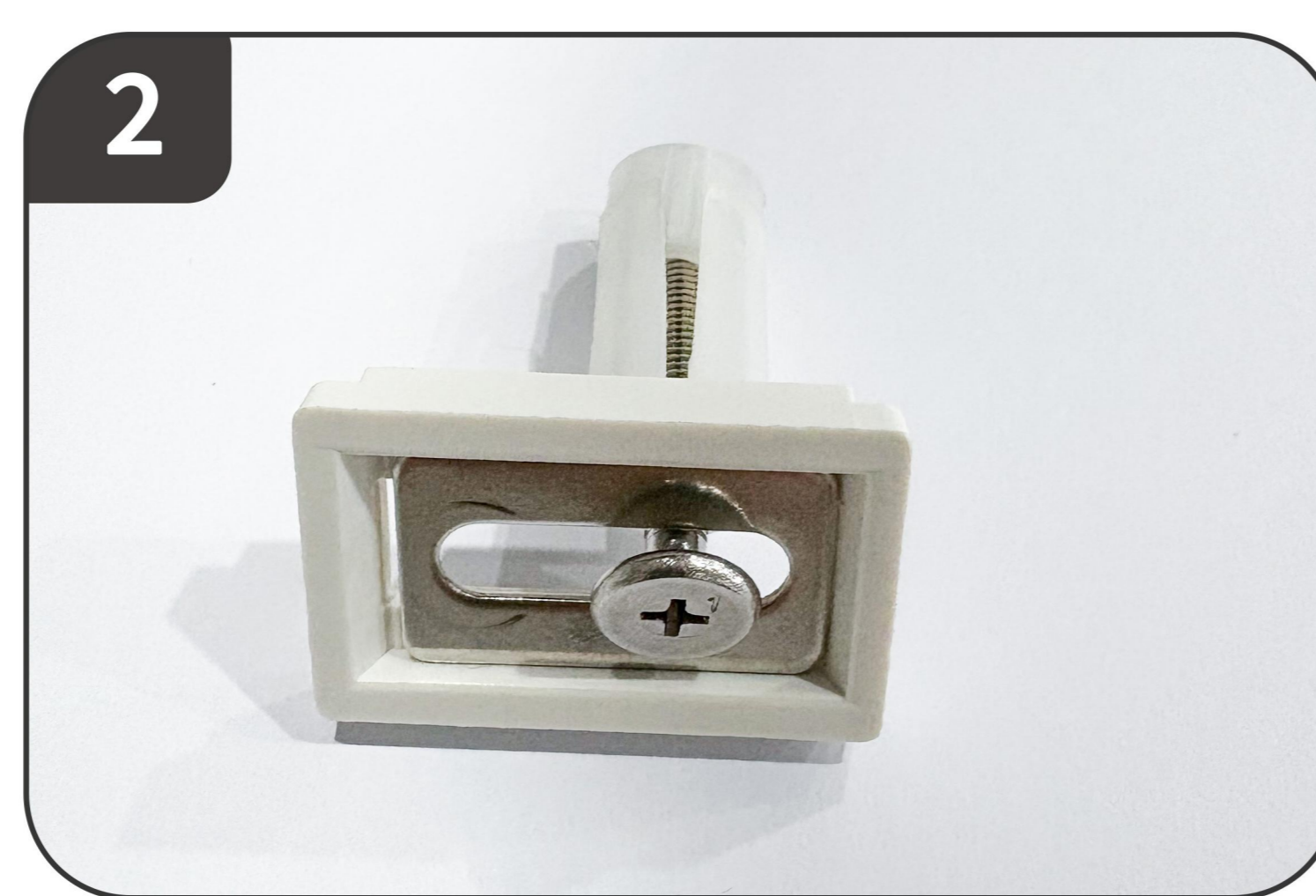
Place bowl in position.

STEP 5

Install washers & nuts. Tighten the bolts alternately until toilet is firmly seated on the floor.

STEP 6

Install side plastic cover caps and connect water supply. (water supply hose not included)



Toilet Seat Installation Instructions

STEP 1~STEP 2

Insert the bolts into expansion nuts.

STEP 3

Insert the expansion nuts through bracket into mounting holes.

STEP 4

Tighten the screws but not to the end. Adjust the toilet seat to perfect fit. Then tighten bolts.

STEP 5

Pull the toilet seat into the hing base.

STEP 6

Press the quick-release buttons to remove and re-install the seat for cleaning.