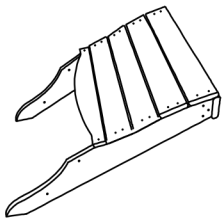


Assembly instruction



A x 1



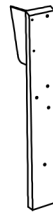
B x 1



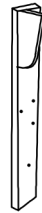
C x 1



D x 1



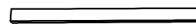
E x 1



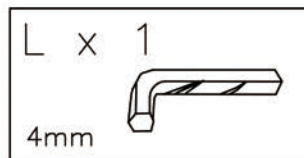
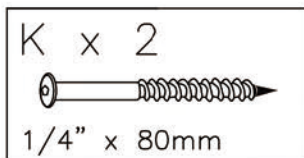
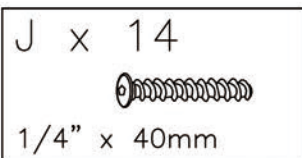
F x 1



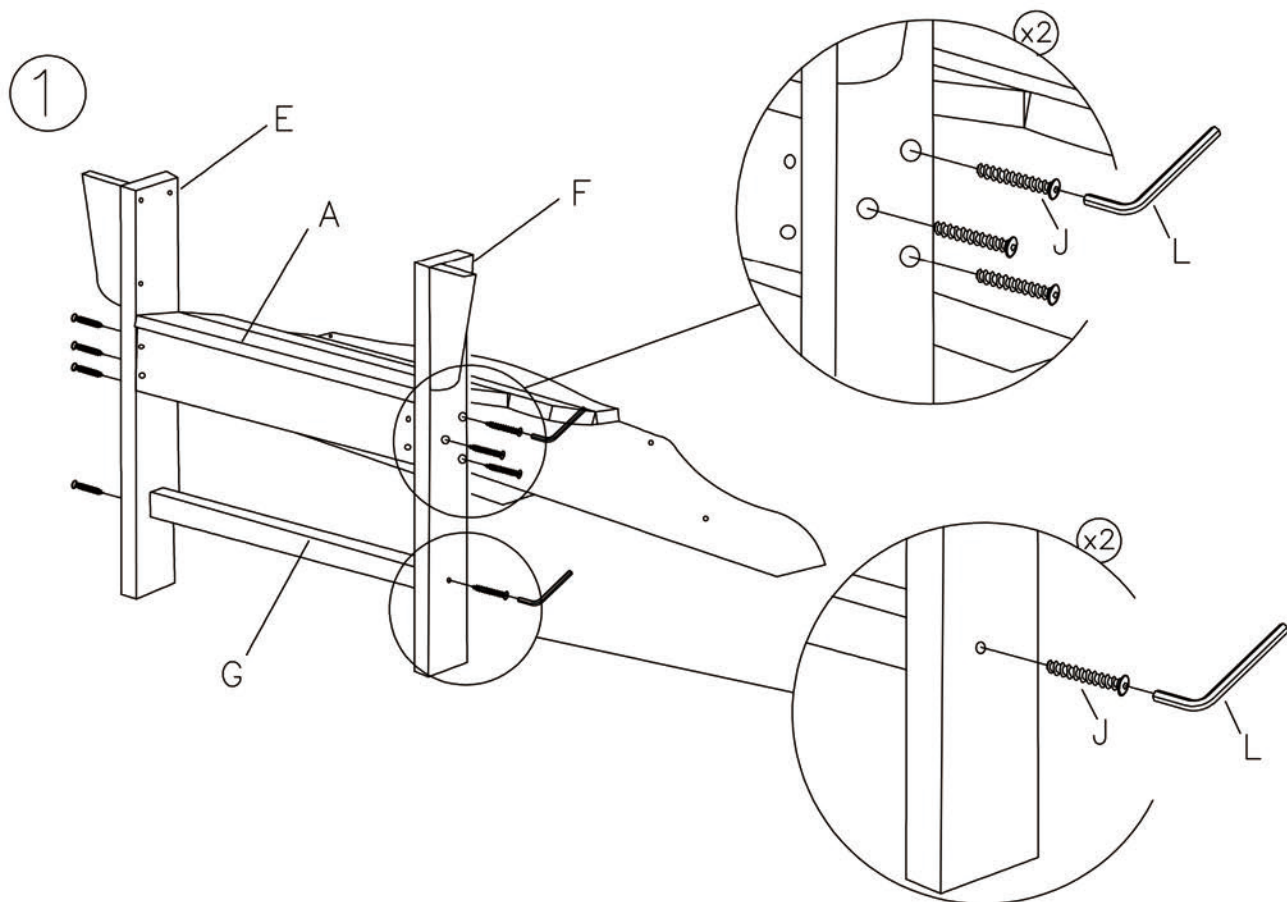
G x 1



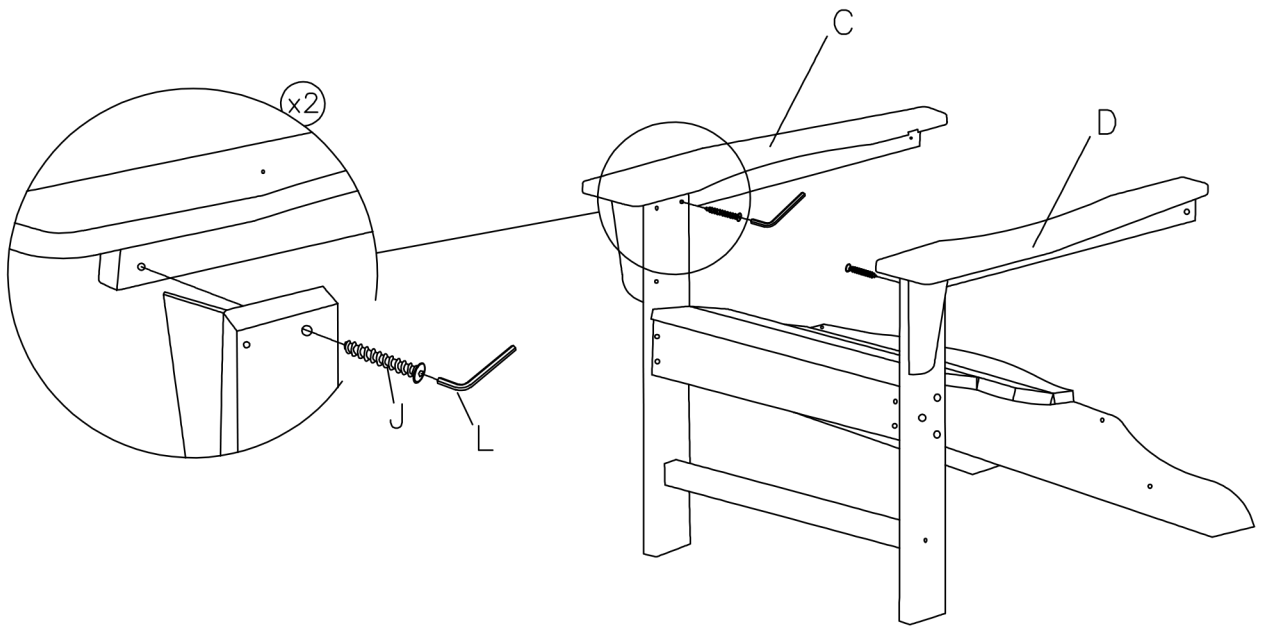
H x 1



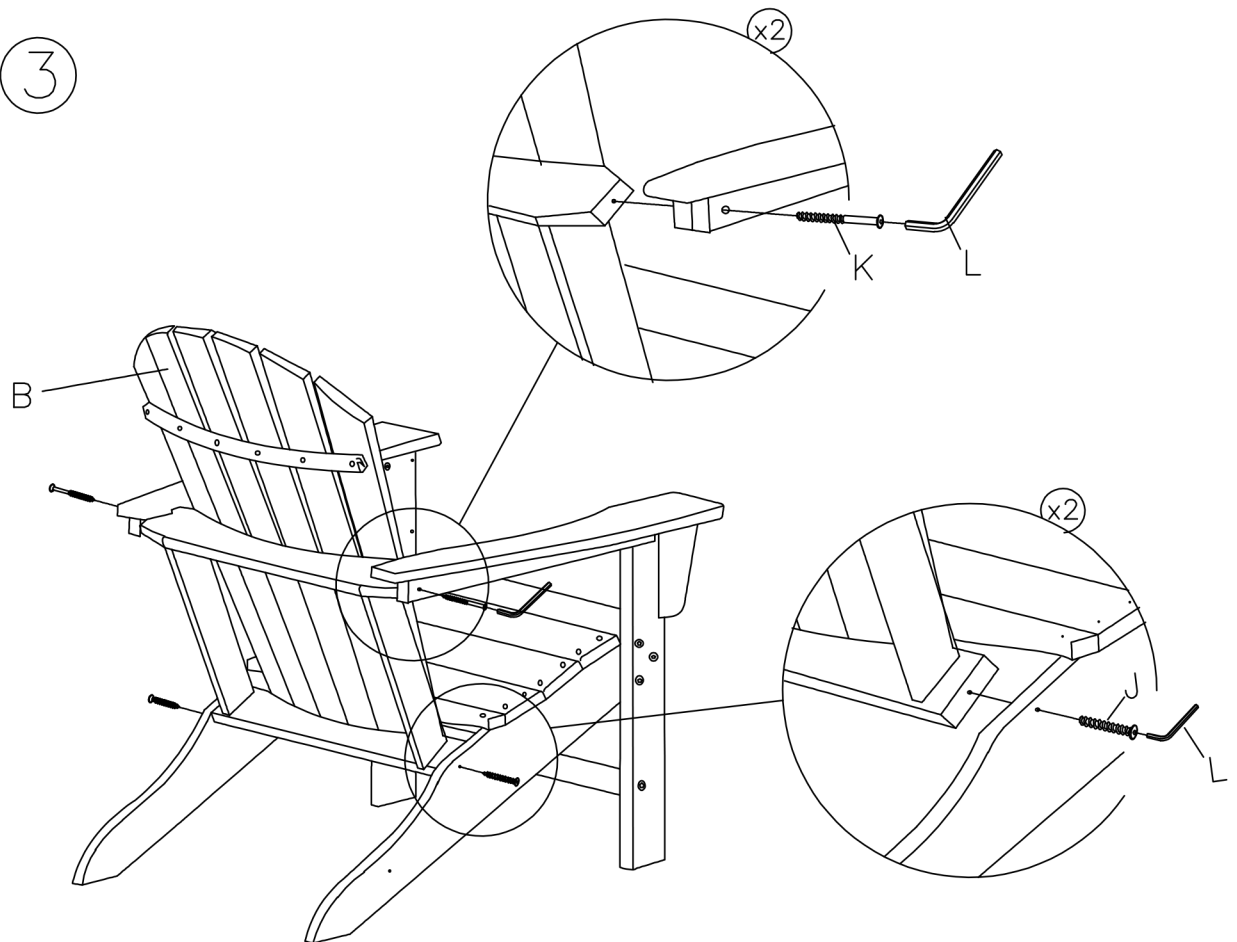
 NOTE: UNIT SHOULD BE ASSEMBLED BY TWO OR MORE PEOPLE.
DO NOT TIGHTEN ANY BOLTS UNTIL ALL BOLTS HAVE BEEN STARTED!



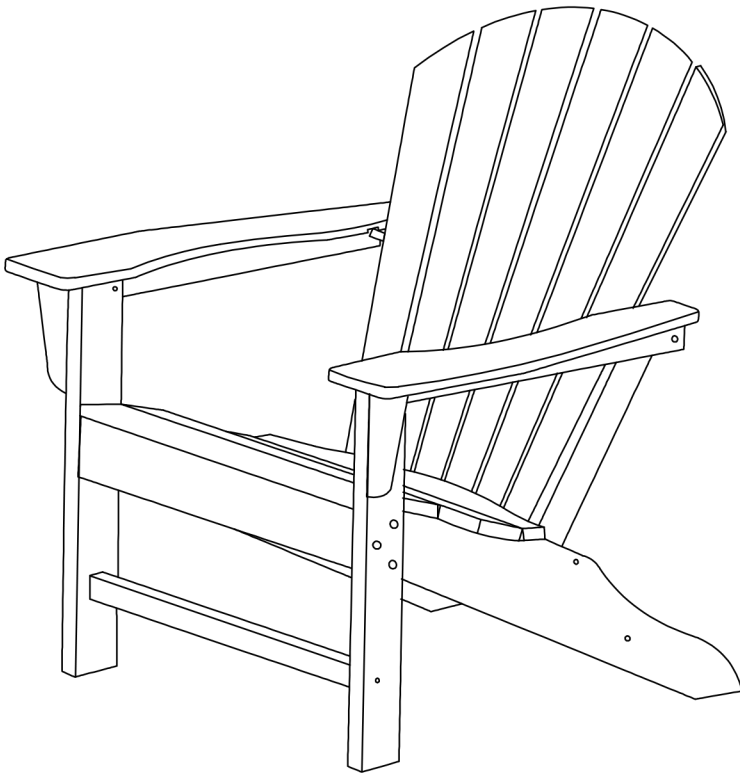
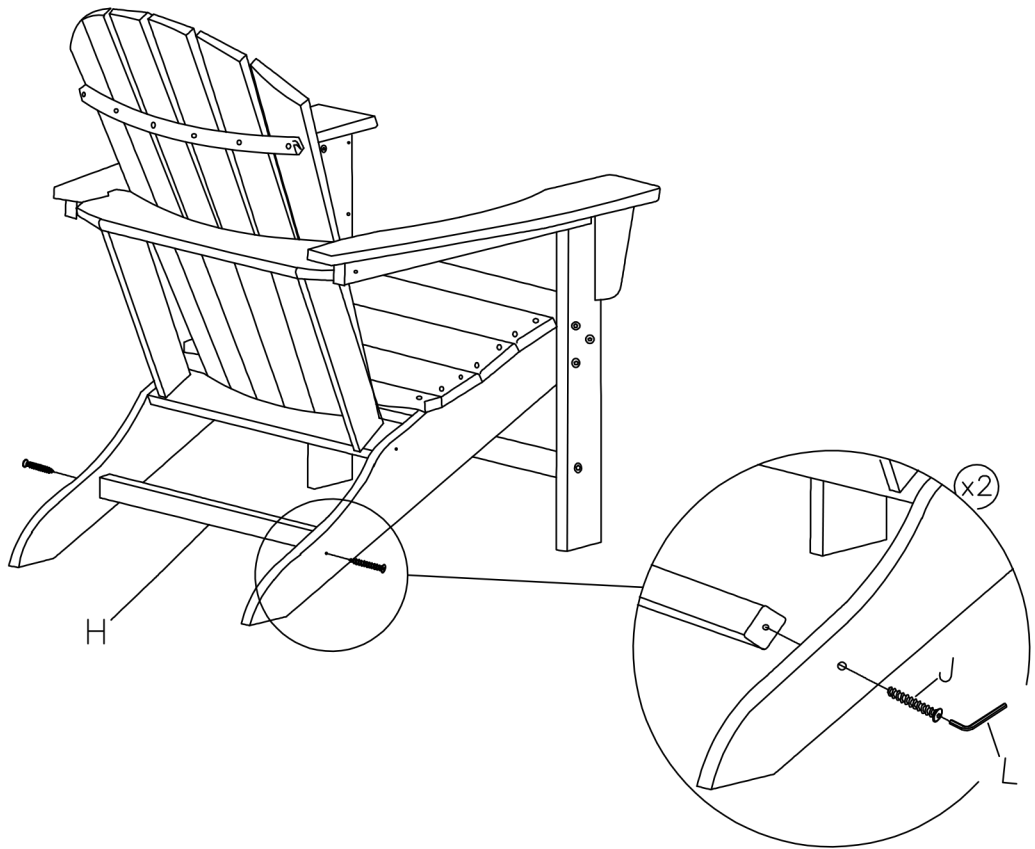
2



3



4



NOTE: Level the chair and tighten all bolts with the wrench.

NOTA: Nivele la silla y aprete todos los pernos con la llave.

REMARQUE: Mettez la chaise droite et serrez tous les boulons avec les clés.