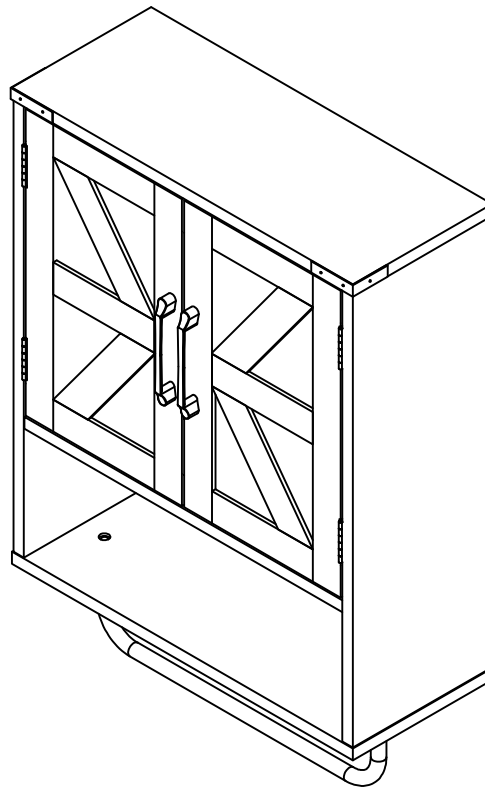


# Assembling Instruction

Generating Drawings

## Assembly Instructions



ATTENTION

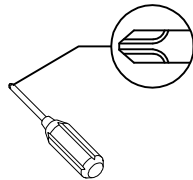
If there is any missing, please kindly send us messages to let us know the name of missing part regarding to the first page of instructions.

We will send replacement to you asap. We are concerned about each customer's experience, if there is any loss or damage, please contact us at any time, we will provide effective solutions.

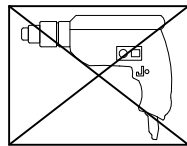


# General Assembly Guidelines

- I. Ensure that all parts and hardware are available before beginning assembly.
- II. Follow each step carefully to ensure the proper assembly of this product.
- III. Two people are recommended for ease in the assembly of this product.
- IV. The three main types of hardware used to assemble this product are : wood dowels , screws and bolts.
- VI. A Phillips head screwdriver is required for the assembly of this product .

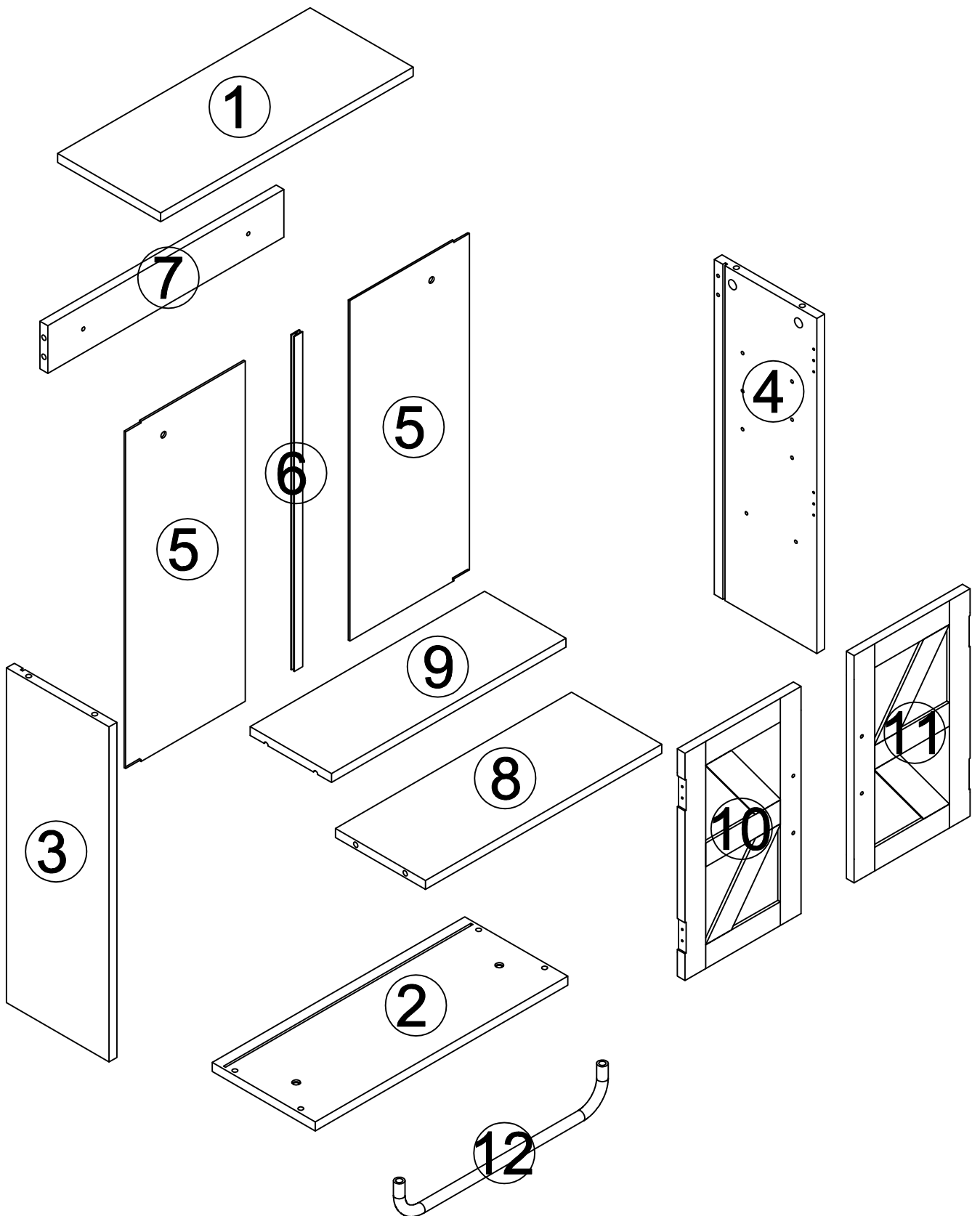


- VI. Power tools should not be used to assemble this product .

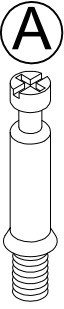

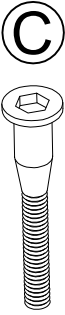

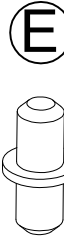











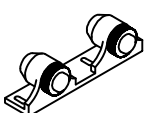


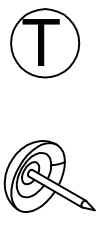




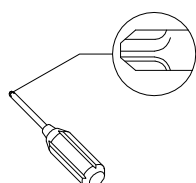
- VII. Concealed hinges are three-way adjustable.

# Parts List



# HARDWARE PACK CONTENT

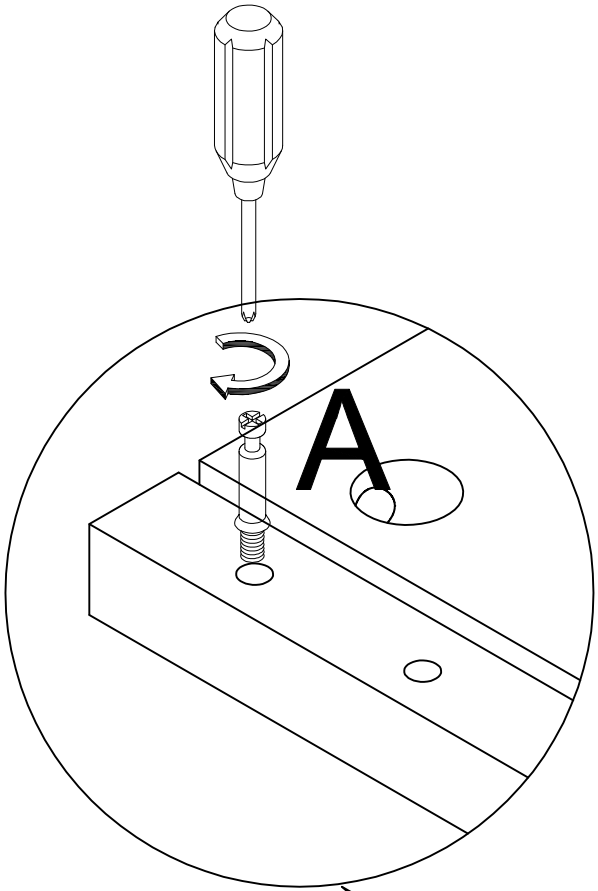
 <p><b>A</b> Ø6x35mm</p> <p>12x +2</p>	 <p><b>B</b> Ø15x11mm</p> <p>12x +2</p>	 <p><b>C</b> Ø6x40mm</p> <p>4x+1</p>	 <p><b>D</b></p> <p>1x</p>	 <p><b>E</b> Ø8x5x16mm</p> <p>4x+1</p>	 <p><b>F</b> Ø3x17mm</p> <p>6x+1</p>	 <p><b>G</b></p> <p>6x+1</p>
 <p><b>H</b> Ø5x55mm</p> <p>2x</p>	 <p><b>I</b> Ø7x40mm</p> <p>4x</p>	 <p><b>J</b> Ø5x40mm</p> <p>2x</p>	 <p><b>K</b></p> <p>2x</p>	 <p><b>L</b></p> <p>2x</p>	 <p><b>M</b> Ø4x19mm</p> <p>4x</p>	 <p><b>N</b></p> <p>4x</p>
 <p><b>O</b> Ø3x12mm</p> <p>32x+2</p>	 <p><b>P</b> N6*25mm</p> <p>2x</p>	 <p><b>Q</b></p> <p>1x</p>	 <p><b>R</b> Ø3x15mm</p> <p>2x</p>	 <p><b>S</b></p> <p>2x</p>	 <p><b>T</b></p> <p>6x+1</p>	 <p><b>U</b></p> <p>2x</p>
 <p><b>V</b> Ø30mm</p> <p>8x</p>						



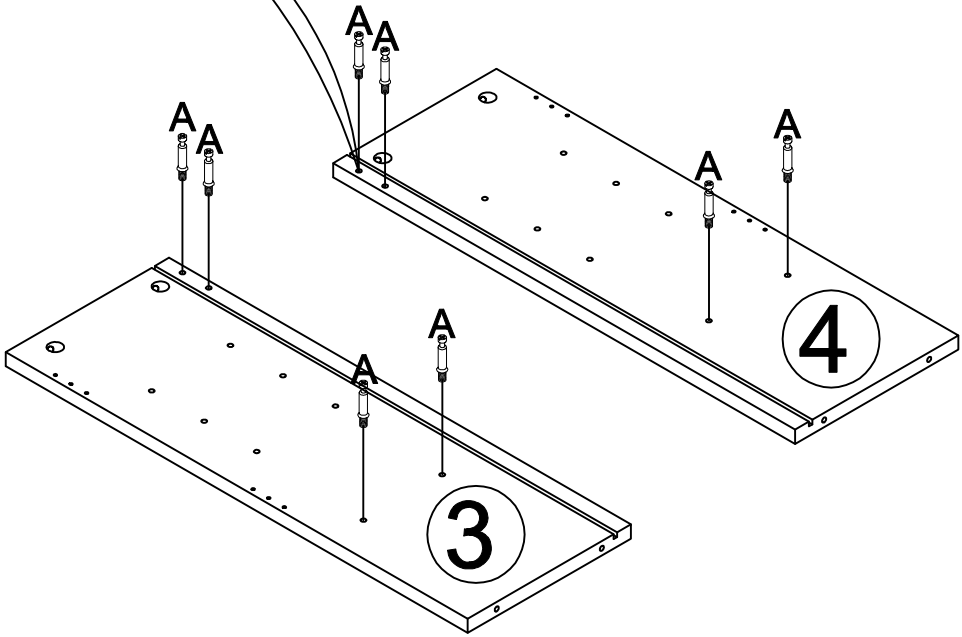
Philips head screwdriver required for assembly  
(not included)

*The hardware quantities listed above are required for proper assembly.  
Some extra hardware may also have been included.*

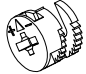
# Step 1

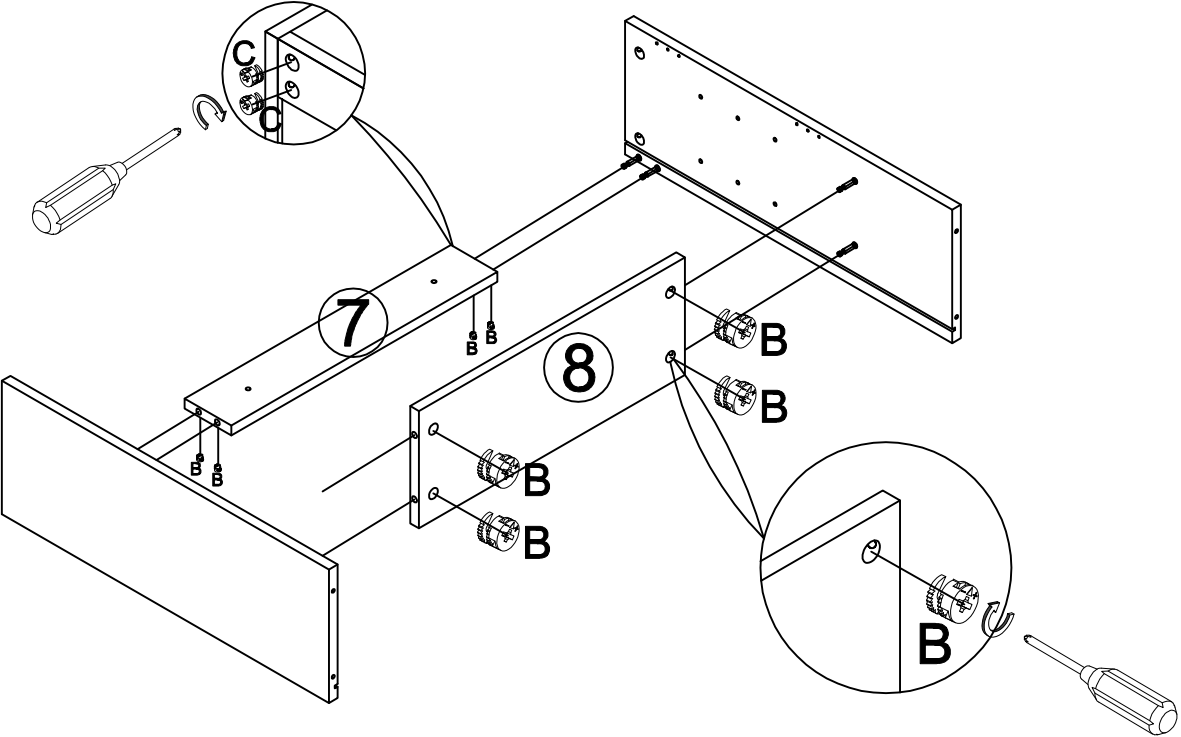


<b>A</b>
<b>X8</b>









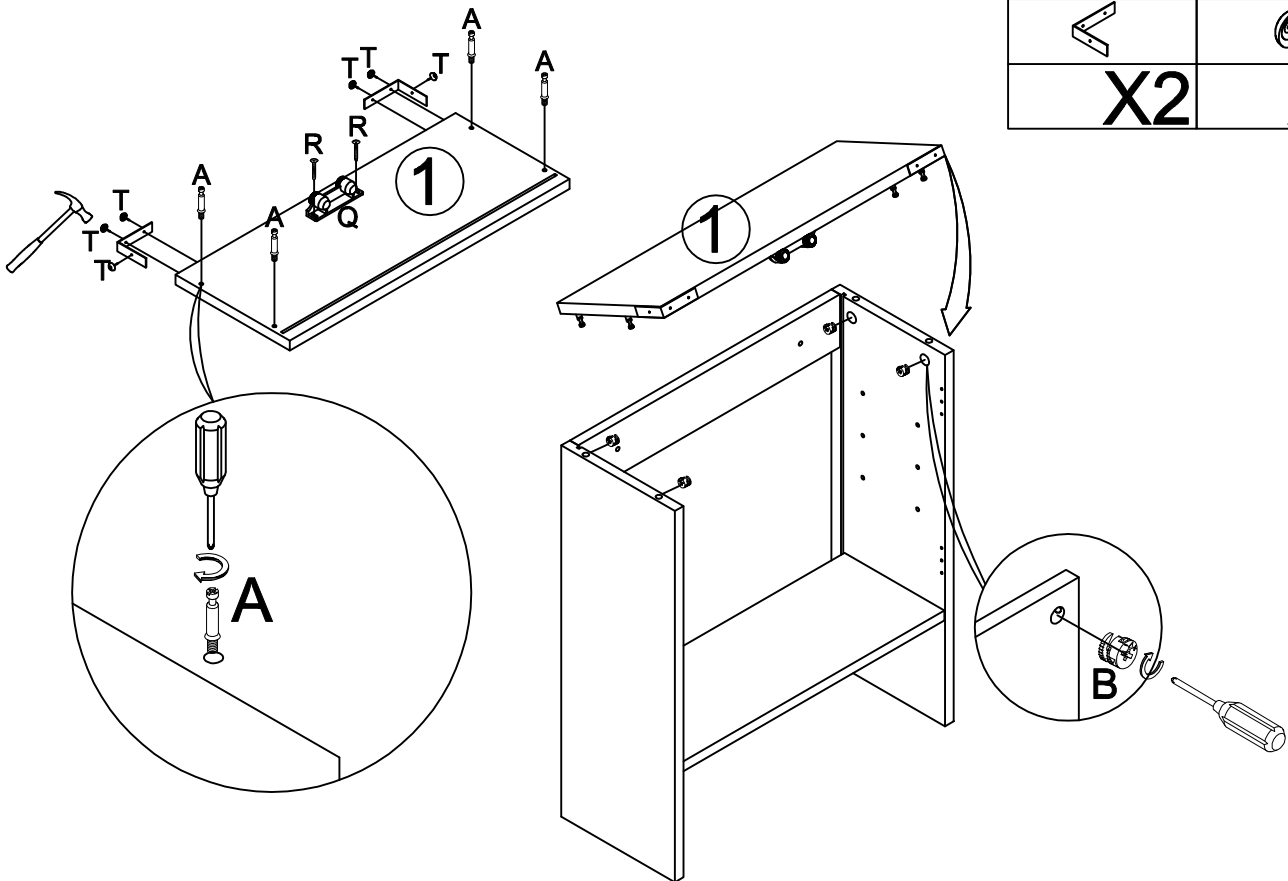
# Step 2

<b>B</b>

<b>X8</b>



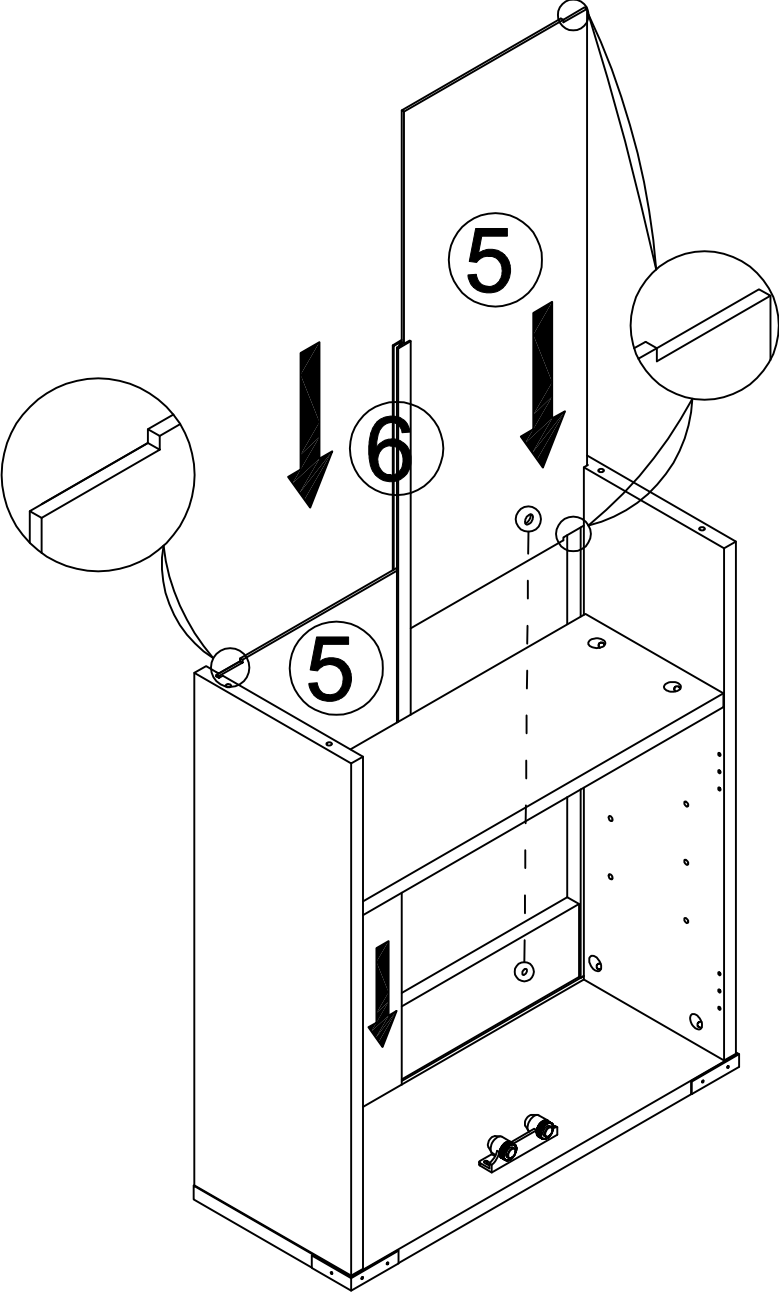
# Step 3

A	B	Q	R
			
X4	X4	X1	X2
		S	T
			
		X2	X6

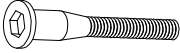


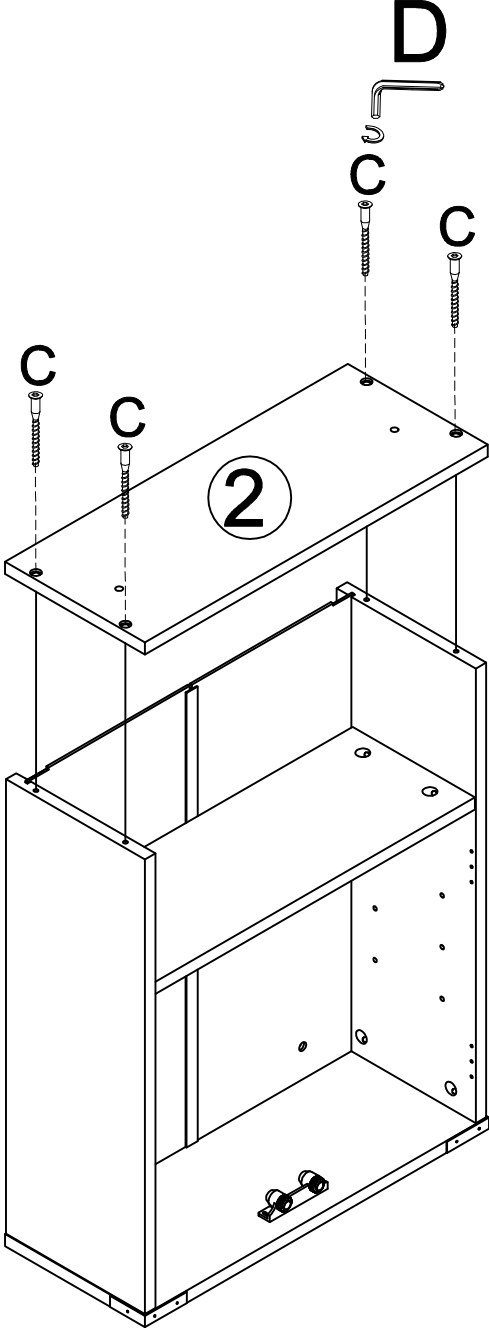
# Step 4

5# back plate hole and 7# rung hole shall be installed at the same position

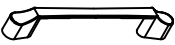
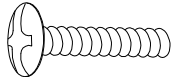





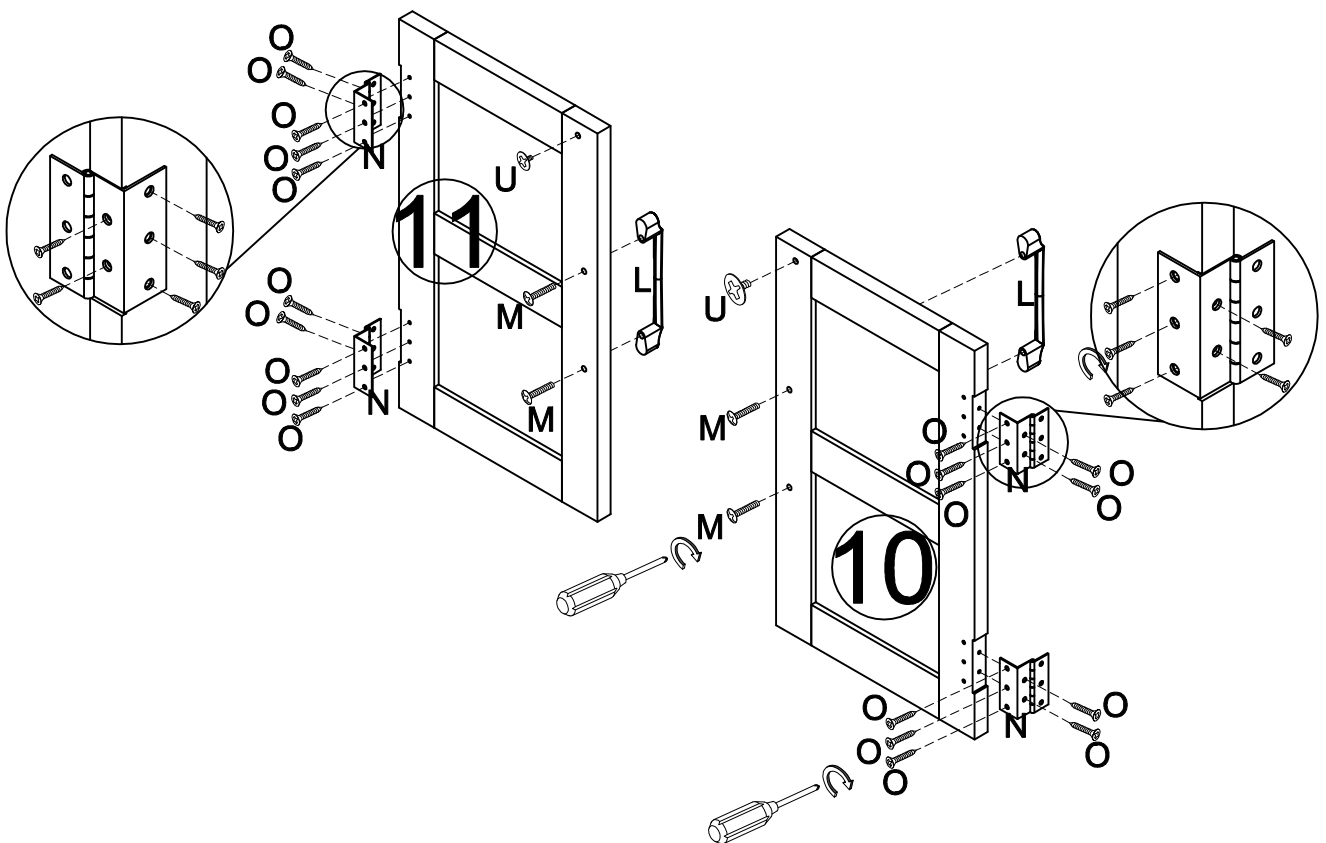
# Step 5

<b>C</b>

<b>X4</b>

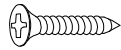


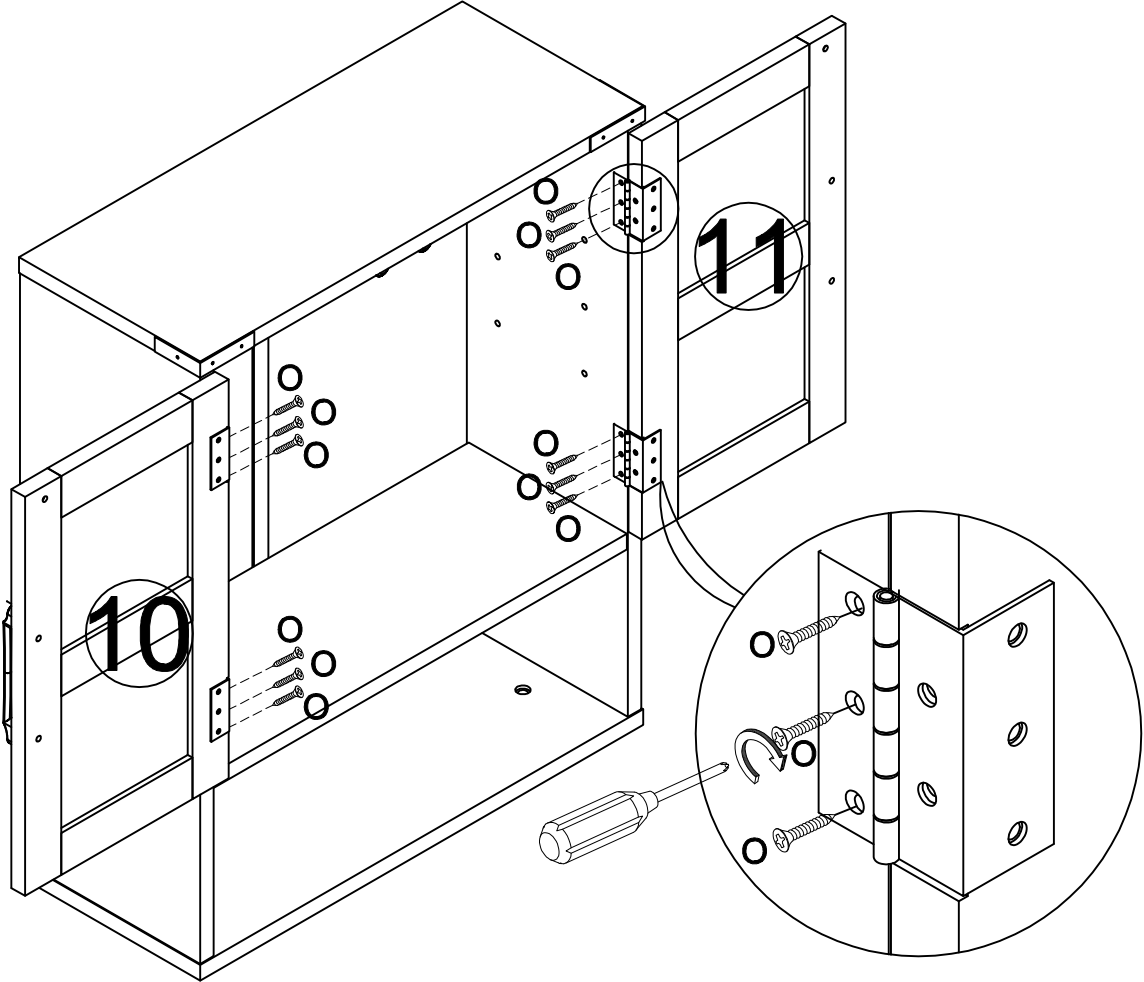
# Step 6

L	M	N
		
<b>X2</b>	<b>X4</b>	<b>X4</b>
	O	U
		
	<b>X20</b>	<b>X2</b>





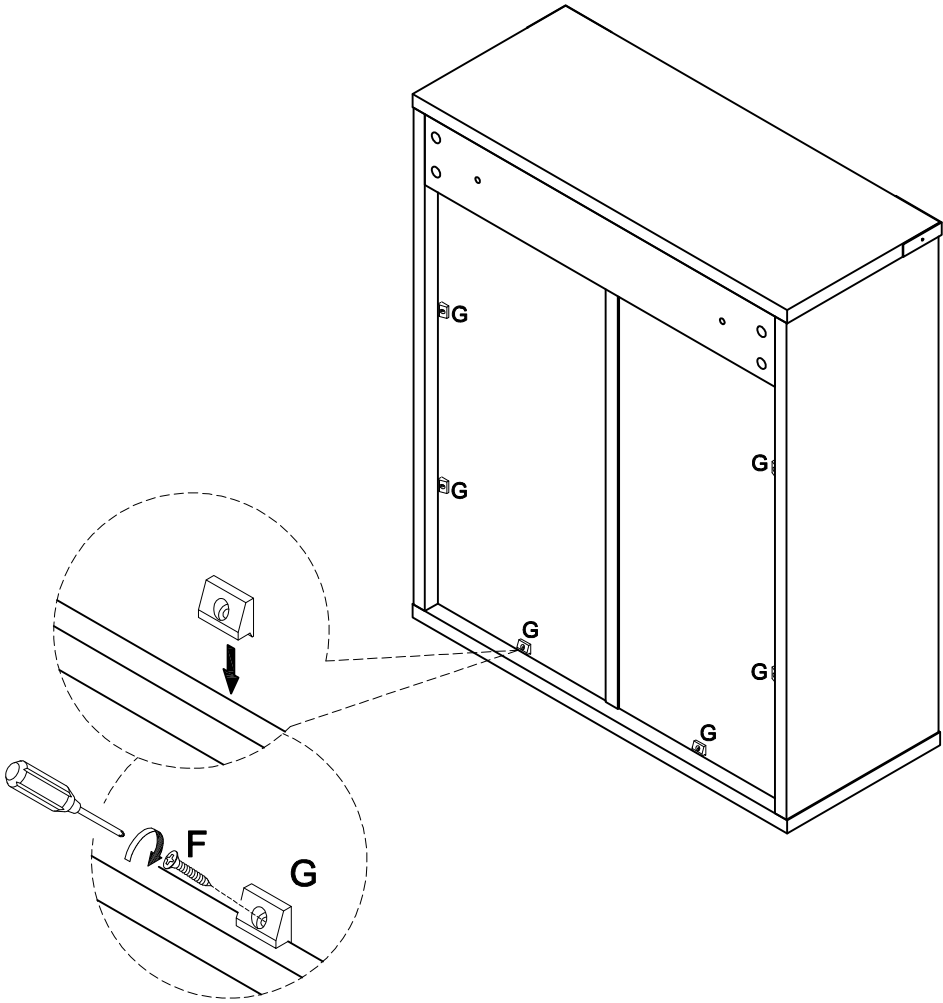
# Step 7

O

X12

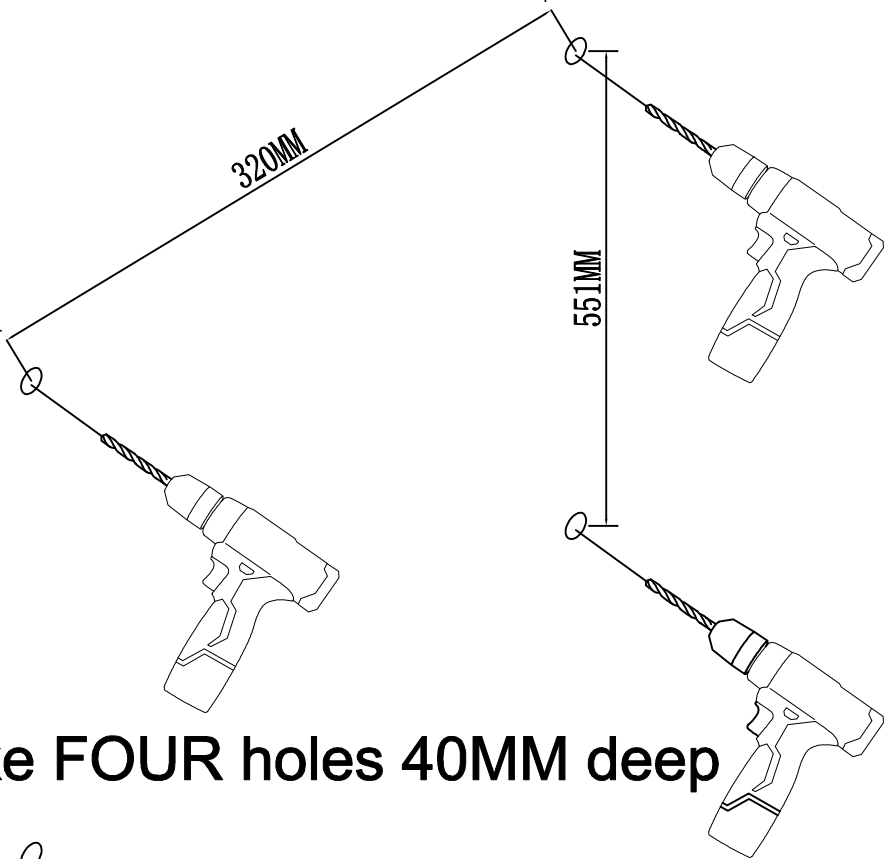


# Step 8

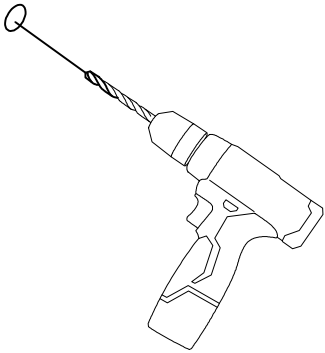
<b>F</b>	<b>G</b>
	
<b>X6</b>	<b>X6</b>




# Step 9

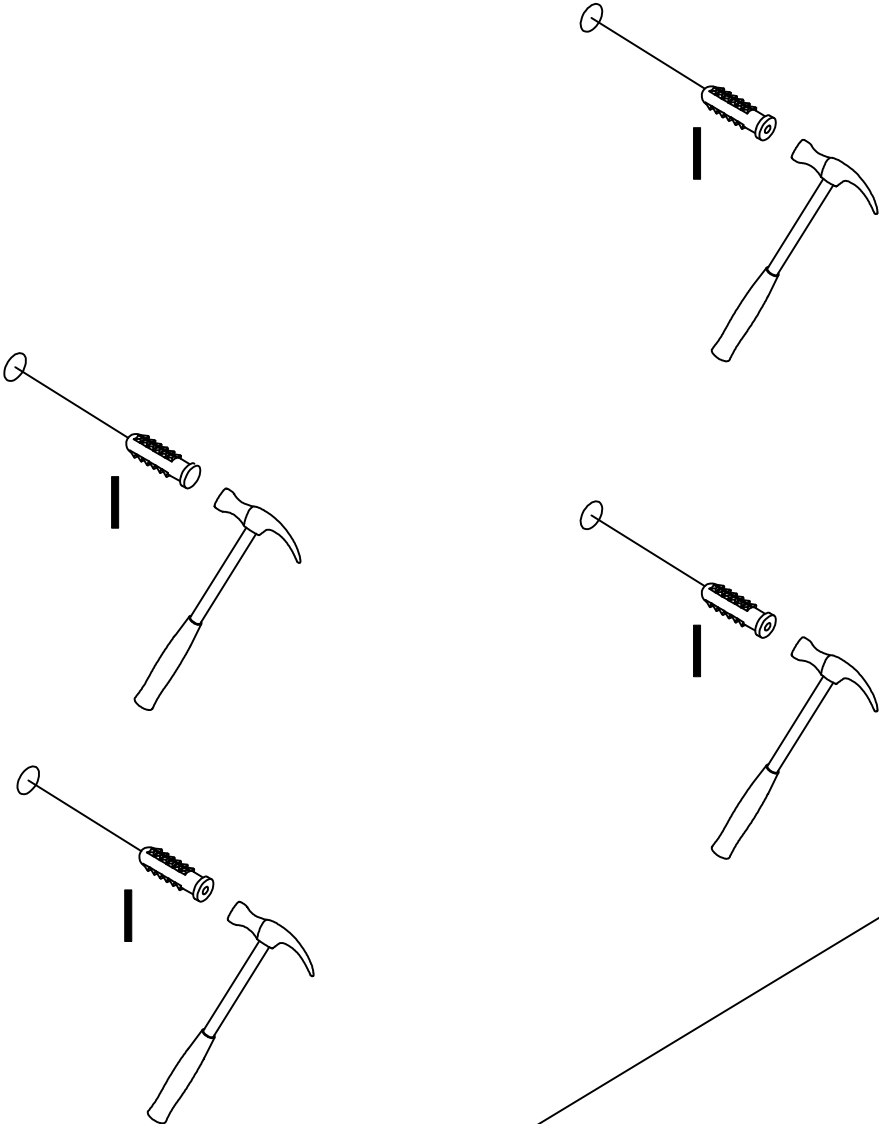


**Make FOUR holes 40MM deep**






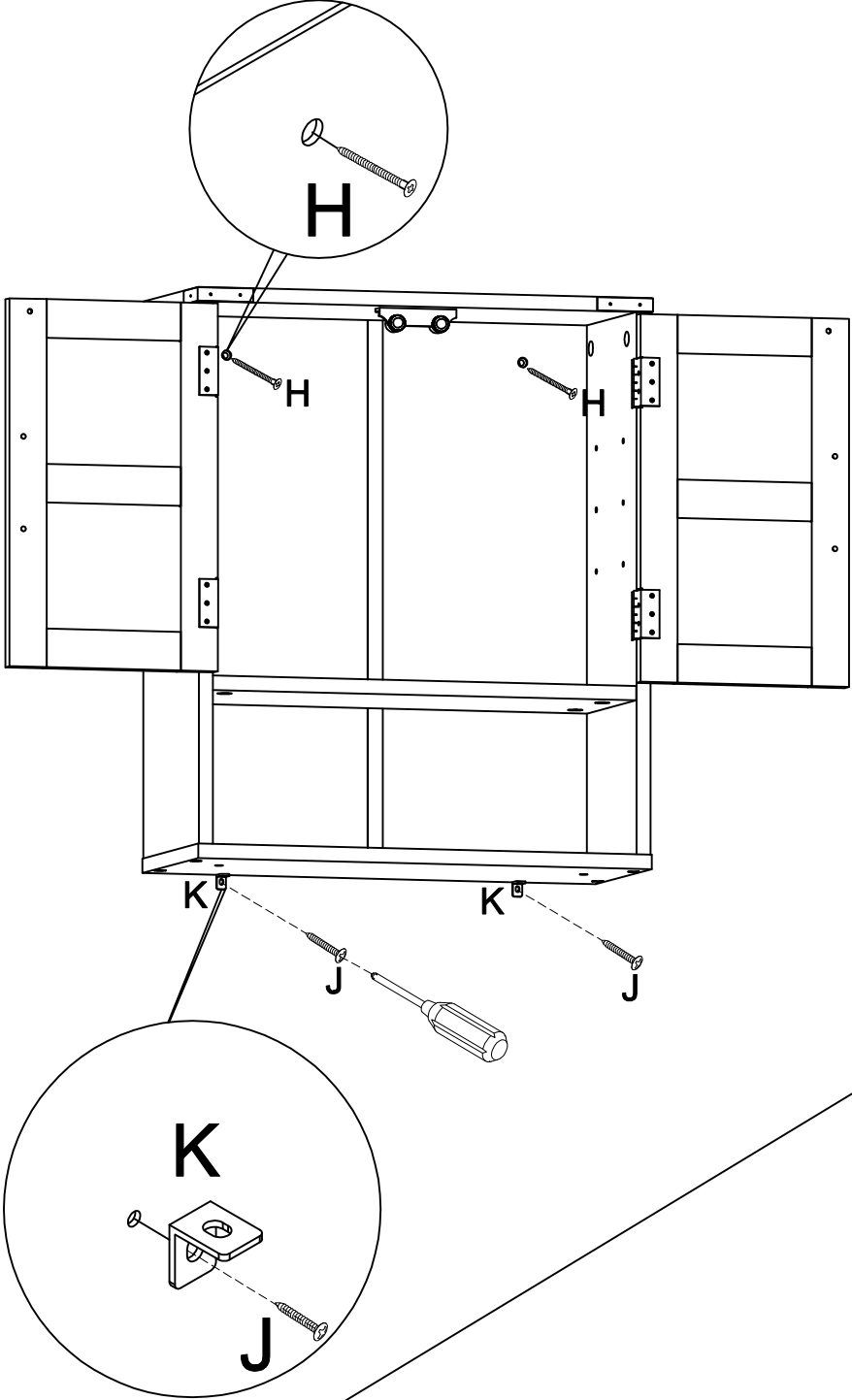
# Step 10

I

X4




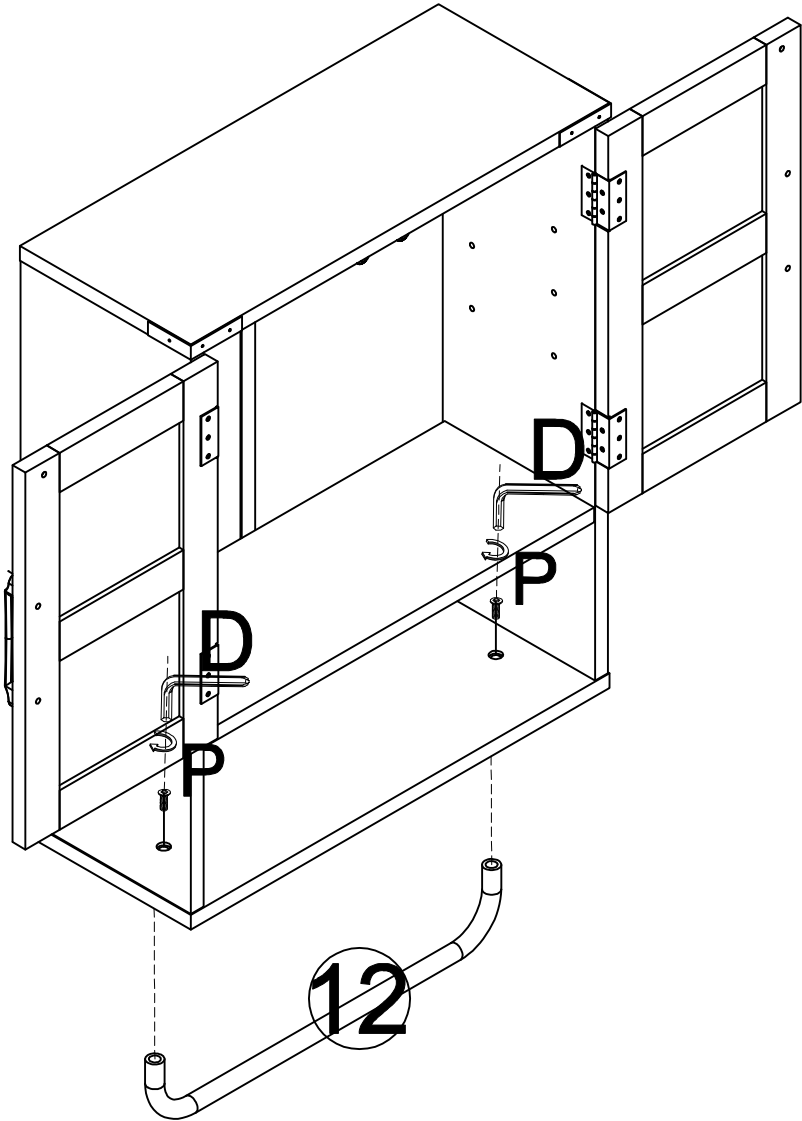
# Step 11

<b>K</b>	<b>J</b>	<b>H</b>
		
<b>X2</b>	<b>X2</b>	<b>X2</b>

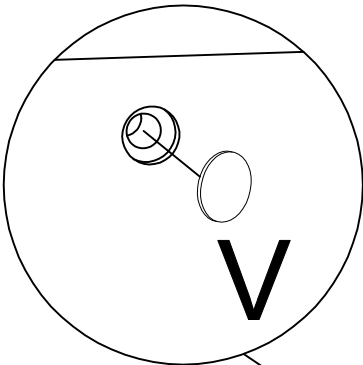




# Step 12

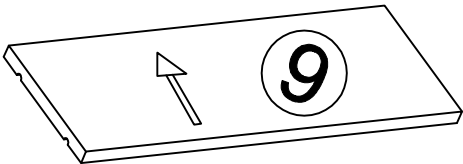
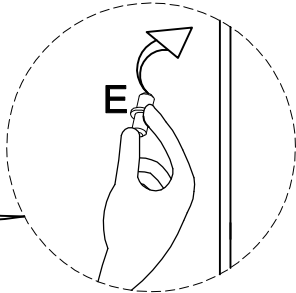
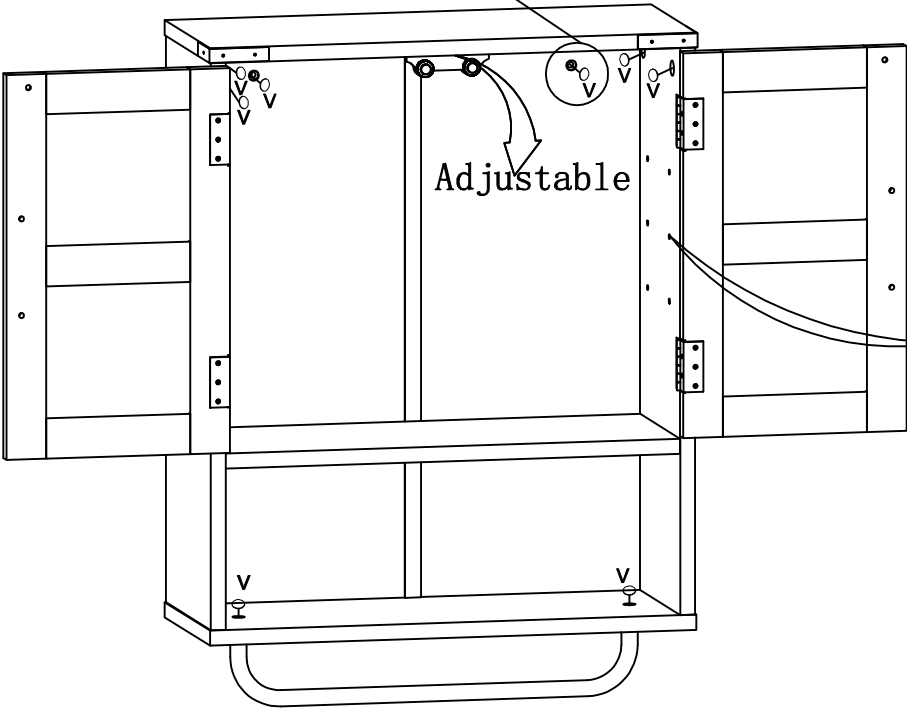
P

X2



# Step 13



<b>V</b>	<b>E</b>
	
<b>X8</b>	<b>X4</b>



Step 14

