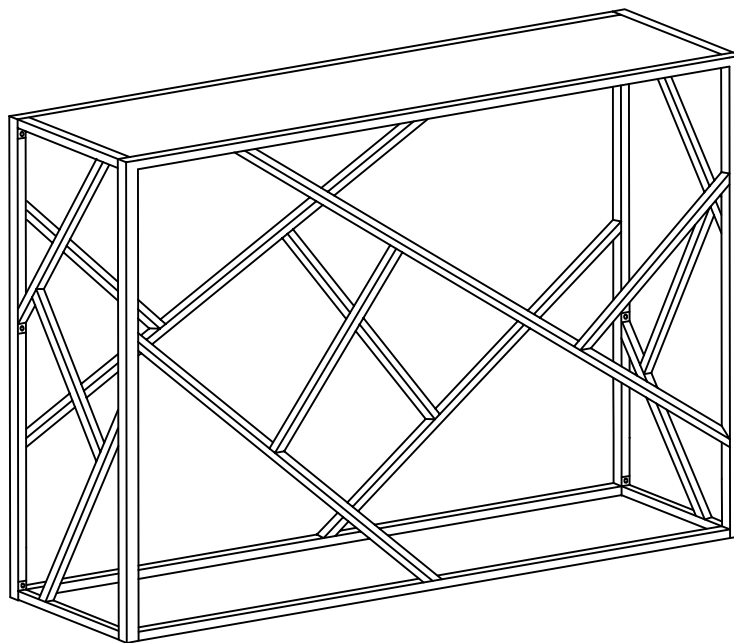


ASSEMBLY INSTRUCTIONS

Console Table

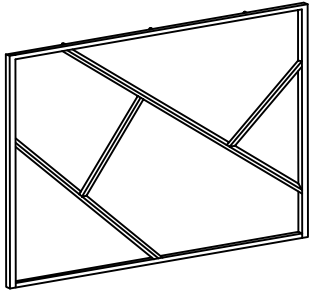


NOTE TO CUSTOMERS:

- For ease and speed of assembly we recommend that before you commence each step of the assembly that you identify all the parts required to complete that step.
- We recommend that where possible you allow sufficient space to assemble the item as close as possible to the place where it will be once assembled.
- For the protection of your furniture we recommend that the product is placed on protected surfaces during assembly to prevent any damage.
- During assembly do not over tighten, as this may damage the product.
- Please ensure you retain all the product packaging until the item completely assembled.
- Please periodically check all fittings and re-tighten as necessary.
- Never allow any liquids to remain on your furniture as absorption can cause the wood to warp or the finish to de-laminate.
- It is recommended that this item should be assembled by two adults.

Part List

A1



Frame

2PCS

A2



Side Frame

2PCS

A3

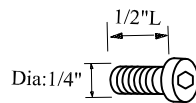


Top Panel

1PC

Hardware List

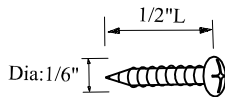
B1



Bolt

12PCS

B2



Screw

6PCS

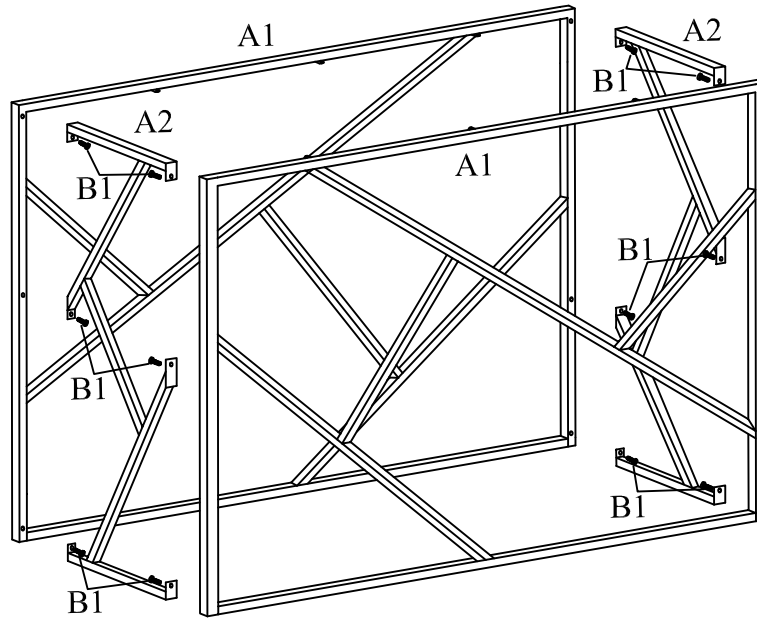


Allen Wrench

1PC

STEP 1

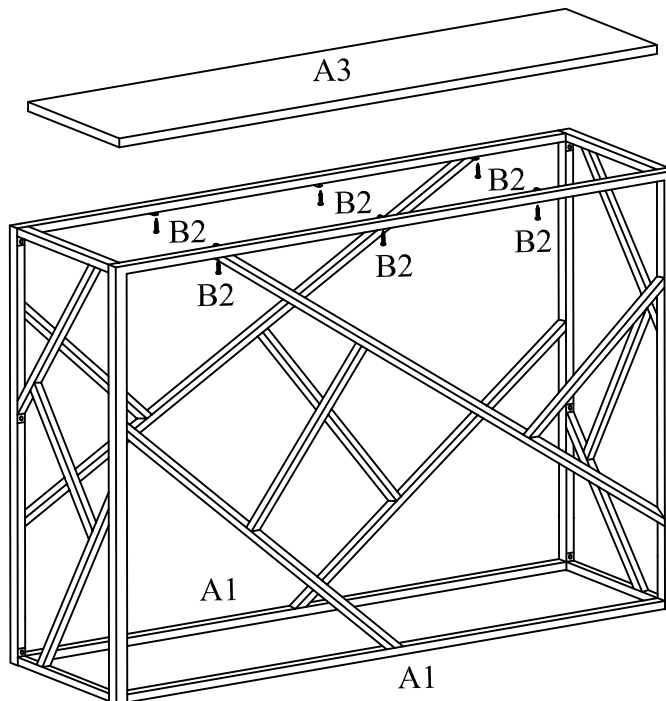
B1  12pcs



Assemble Frames A1 to Side Frames A2 using Bolts B1.
Noted: Please do not tighten Bolts B1 until Step 2.

STEP 2

B2  6pcs



Assemble Top Panel A3 to Frames A1 using Screws B2.
Noted: Place the table on the floor and check if it is stable before tightening all bolts.