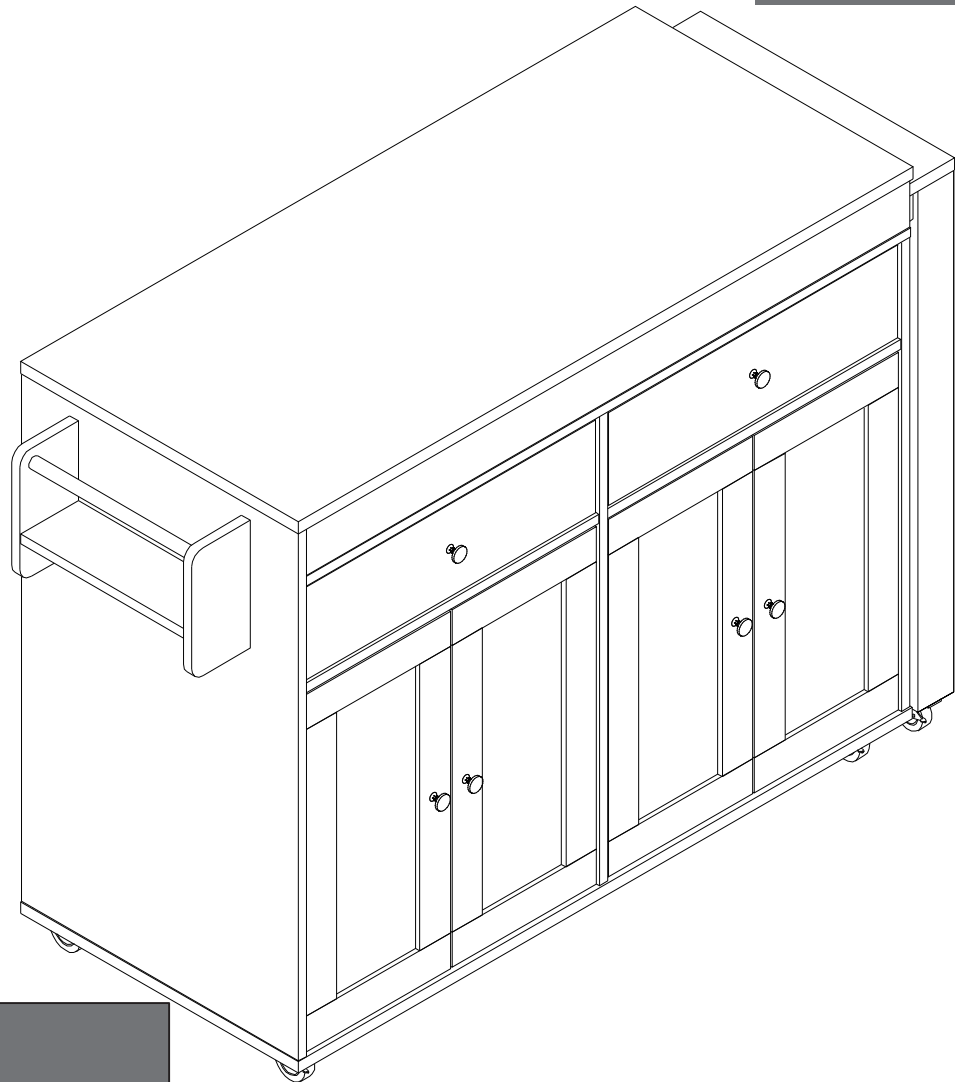


Kitchen Island Carts

Assembly Instructions - Please keep for future reference



Dimensions

Width-74inch

Depth-19.76inch+18.3inch

Height-36inch

Important – Please read these instructions fully before starting assembly

Issue 1 - 08/08/24



Safety and Care Advice

Important – Please read these instructions fully before starting assembly

- Check you have all the components and tools listed on the following pages.
- Remove all fittings from the plastic bags and separate them into their groups.
- Keep children and animals away from the work area, small parts could choke if swallowed.
- Make sure you have enough space to layout the parts before starting.

- During assembly do not stand or put weight on the product, this could cause damage.
- Assemble the item as close to its final position (in the same room) as possible.
- Assemble on a soft level surface to avoid damaging the unit or your floor.
- Parts of the assembly will be easier with 2 people.



- To reduce the likelihood of damaging your product please ensure that your power drill is set on a low torque setting.

Care and maintenance

- Only clean using a damp cloth and mild detergent, do not use bleach or abrasive cleaners.
- From time to time check that there are no loose screws on this unit.
- This product should not be discarded with household waste. Take to your local authority waste disposal centre.

Handy Hints

- Assemble all parts and bolts loosely during assembly, only once the product is complete should you fully tighten the bolts
- Regularly check and ensure that all bolts and fittings are tightened properly.

WARNING In order to help prevent overturning – please follow these instructions

To help prevent product toppling over please follow the below steps:-

Use the anti tip strap or wall fixing method provided (if applicable)
Do not allow children to climb or hang on the furniture
Do not open more than one drawer at a time
Do not place heavy items in the top drawers
Do not place heavy items on top of the furniture, unless the furniture has been designed for this purpose

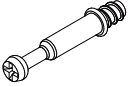



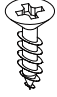
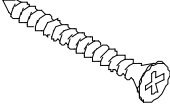
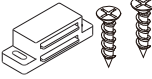
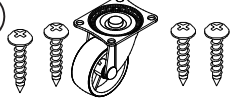
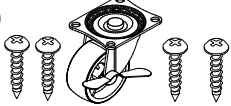
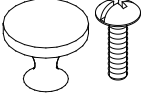
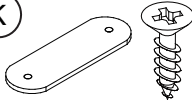
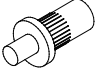


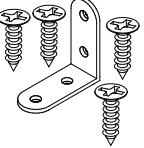

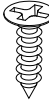
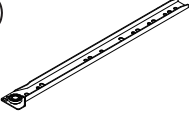
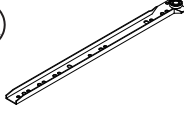
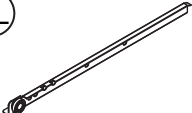
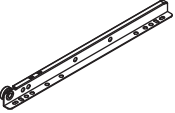
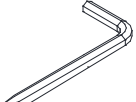
Please note that only the anti tip strap is provided.

You will need to provide wall plugs and screws applicable for your wall type

Components - Fittings

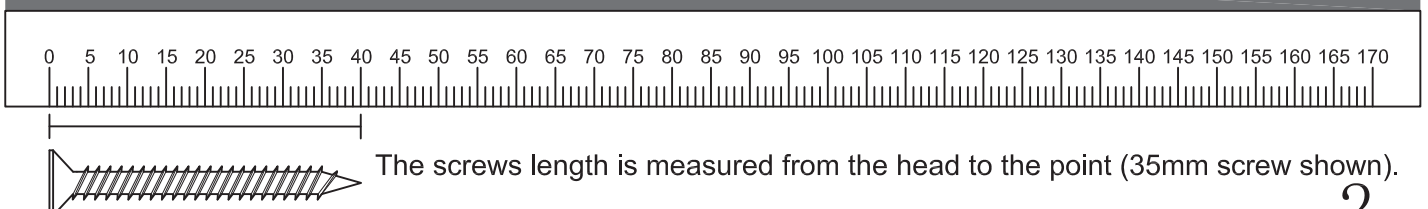
Please check you have all the panels listed below

Note: The quantities below are the correct amount to complete the assembly. In some cases more fittings may be supplied than are required.

<p>(A) </p> <p>Cam Bolt x 27+2</p>	<p>(B) </p> <p>Cam lock x 27+2</p>	<p>(C) </p> <p>6*30mm Dowel x 38+2</p>	<p>(D) </p> <p>Drawer slide x 2</p>
<p>(E) </p> <p>3*12mm Screw x 16+1</p>	<p>(F) </p> <p>4*40mm Screw x 45+2</p>	<p>(G) </p> <p>Magnetic impact x 4</p>	<p>(H) </p> <p>Caster x 3</p>
<p>(I) </p> <p>Locking caster x 4</p>	<p>(J) </p> <p>4*20mm Handle x 6set</p>	<p>(K) </p> <p>Suction sheet x 4</p>	<p>(L) </p> <p>x 8</p>
<p>(M) </p> <p>4*30mm Screw x 12+1</p>	<p>(N) </p> <p>8*30mm Dowel x 2</p>	<p>(O) </p> <p>x 2</p>	<p>(P) </p> <p>Perfect fit x12</p>
<p>(Q) </p> <p>3.5*14mm Screw x 12+1</p>	<p>(CL) </p> <p>runner x2</p>	<p>(CR) </p> <p>runner x 2</p>	<p>(DL) </p> <p>runner x2</p>
<p>(DR) </p> <p>runner x 2</p>	<p>(R) </p> <p>Allen key x 1</p>		

Tools required

Ruler - Use this ruler to help correctly identify the screws



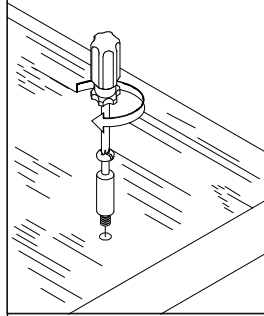
Using Camlocks

Step 1

Connect the male camlock as directed in the assembly instructions using a screwdriver.

1

DO NOT OVER TIGHTEN.
NE PAS SERRER EXCESSIVEMENT.



Step 2

Push the male camlock into the entry hole.

2

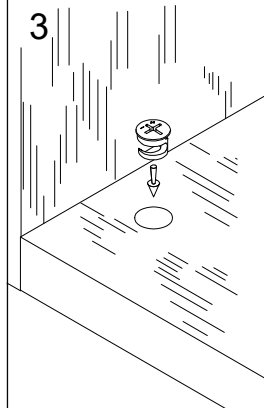


Step 3

Insert the female camlock as shown in the instruction.

Note: ensure that the arrow on the top of the camlock points towards the entry hole for the male camlock.

3



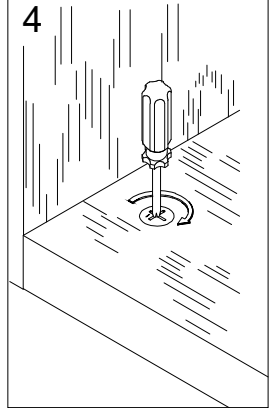
Step 4

Turn the female camlock clockwise with a screwdriver.

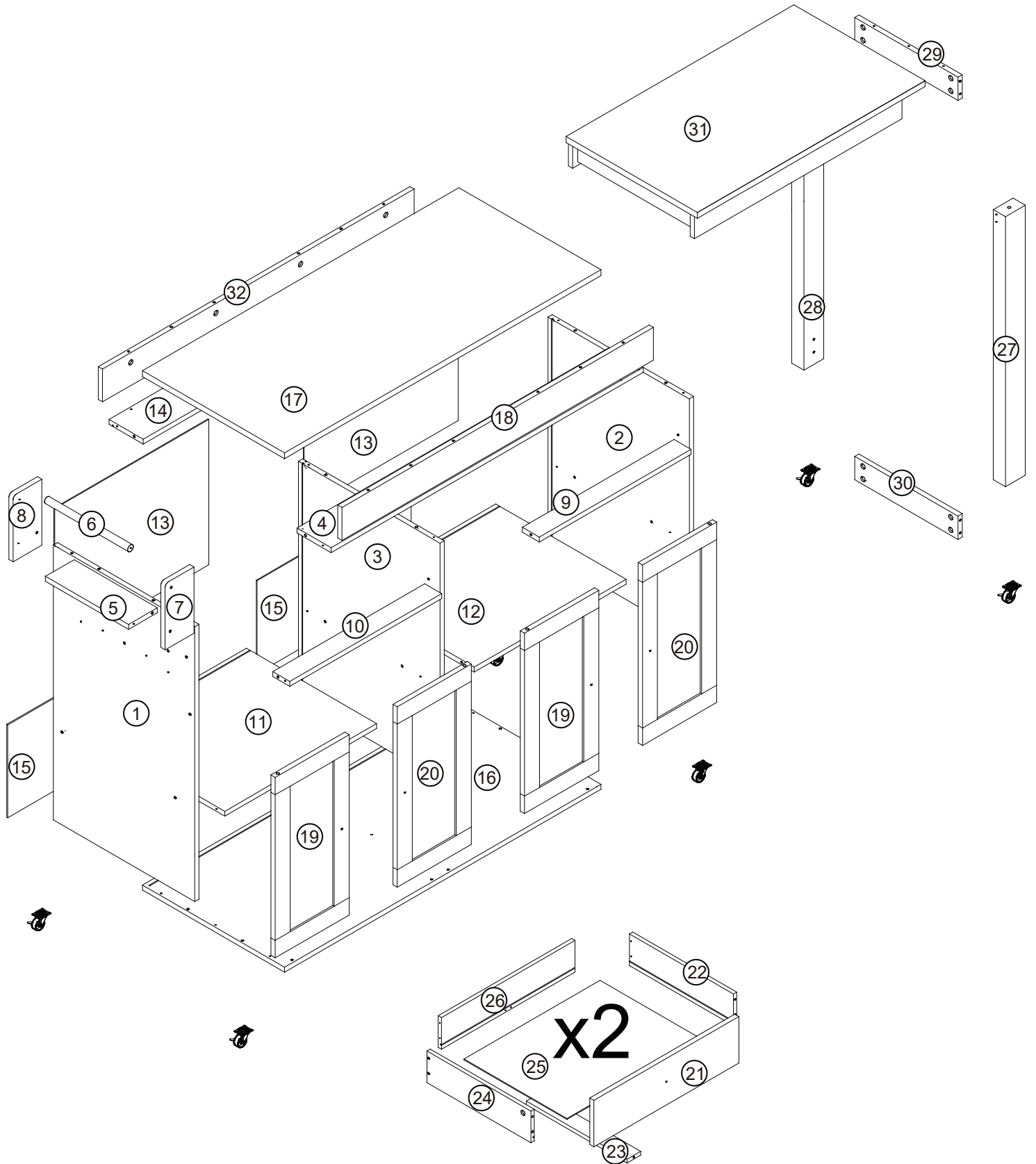
You should feel a click when the camlock is locked in place.

The joint is now secure.

4


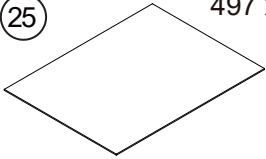
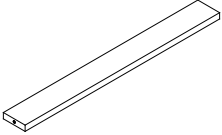
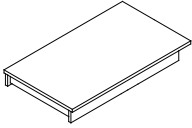
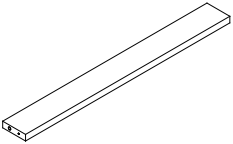
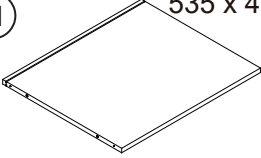
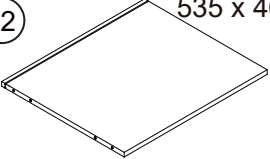
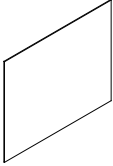
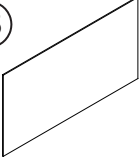
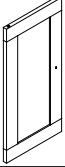
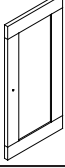
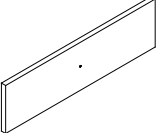


Assembly Instructions




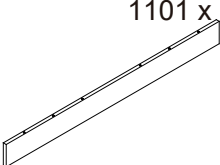

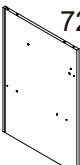
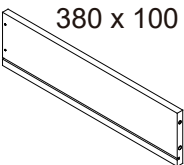
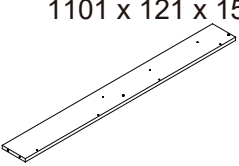
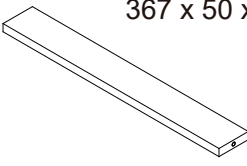
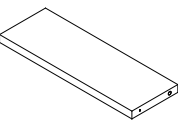
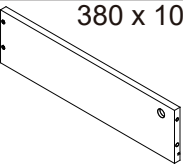
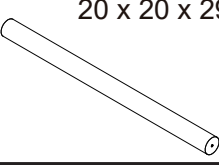
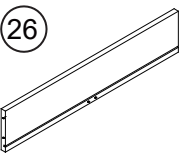


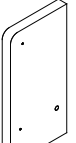

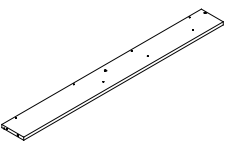
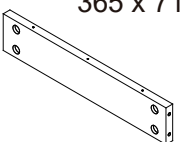
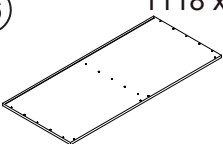
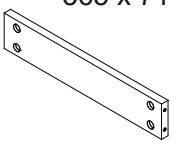
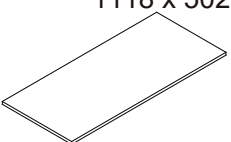
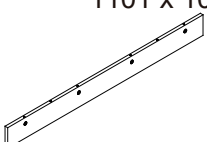
Assembly Instructions

N707P186349

<p>① 840 x 500 x 15 mm</p>  <p>1</p>	<p>②⑤ 497 x 376 x 3 mm</p>  <p>2</p>
<p>⑨ 535 x 60 x 15 mm</p>  <p>1</p>	<p>③① 805 x 464 x 84 mm</p>  <p>1</p>
<p>⑩ 535 x 60 x 15 mm</p>  <p>1</p>	
<p>⑪ 535 x 460 x 15 mm</p>  <p>1</p>	
<p>⑫ 535 x 460 x 15 mm</p>  <p>1</p>	
<p>⑬ 544 x 444 x 3 mm</p>  <p>2</p>	
<p>⑮ 544 x 284 x 3 mm</p>  <p>2</p>	
<p>⑲ 551 x 262 x 15 mm</p>  <p>2</p>	
<p>⑳ 551 x 262 x 15 mm</p>  <p>2</p>	
<p>㉑ 530 x 147 x 15 mm</p>  <p>2</p>	

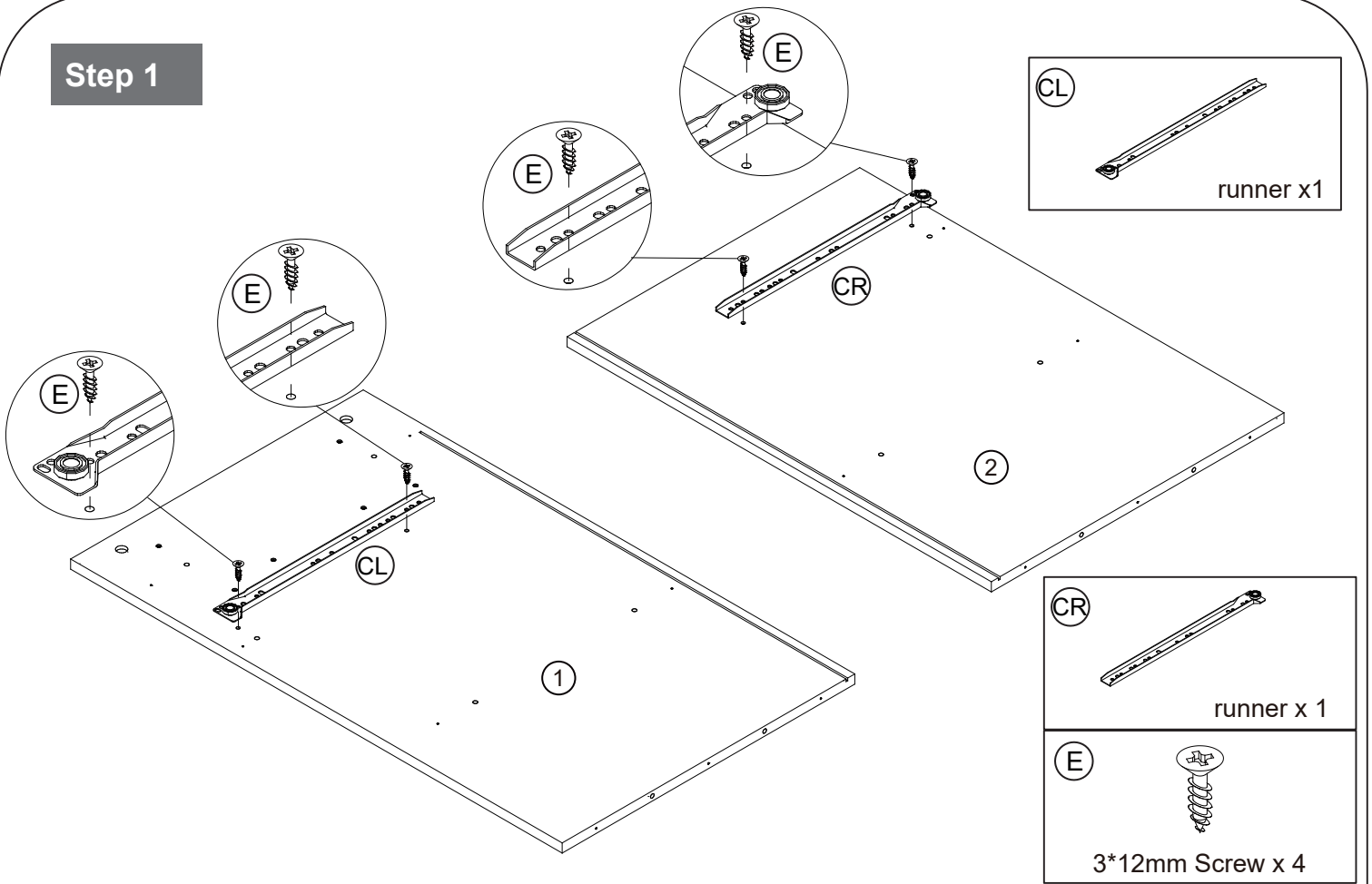
Assembly Instructions

N707P186350

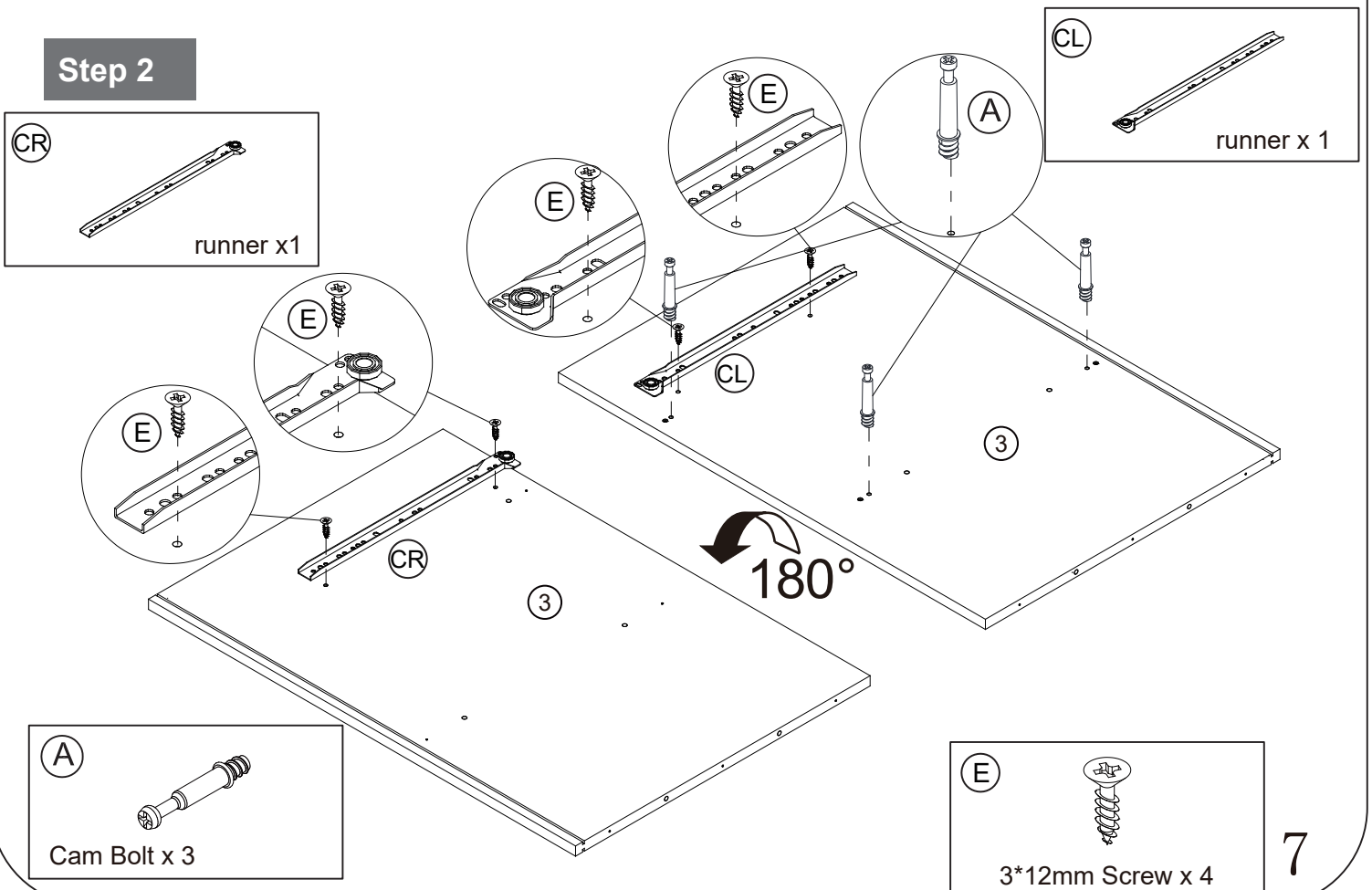
<p>② 725 x 500 x 15 mm</p>  <p>1</p>	<p>⑱ 1101 x 100 x 15 mm</p>  <p>1</p>	 <p>Hardware kit x1</p>
<p>③ 725 x 500 x 15 mm</p>  <p>1</p>	<p>⑳ 380 x 100 x 12 mm</p>  <p>2</p>	
<p>④ 1101 x 121 x 15 mm</p>  <p>1</p>	<p>㉓ 367 x 50 x 12 mm</p>  <p>2</p>	
<p>⑤ 294 x 102 x 15 mm</p>  <p>1</p>	<p>㉔ 380 x 100 x 12 mm</p>  <p>2</p>	
<p>⑥ 20 x 20 x 294 mm</p>  <p>1</p>	<p>㉖ 488 x 100 x 12 mm</p>  <p>2</p>	
<p>⑦ 202 x 102 x 15 mm</p>  <p>1</p>	<p>㉗ 825 x 70 x 43 mm</p>  <p>1</p>	
<p>⑧ 202 x 102 x 15 mm</p>  <p>1</p>	<p>㉘ 825 x 70 x 43 mm</p>  <p>1</p>	
<p>⑭ 1101 x 121 x 15 mm</p>  <p>1</p>	<p>㉙ 365 x 71 x 15 mm</p>  <p>1</p>	
<p>⑯ 1118 x 502 x 15 mm</p>  <p>1</p>	<p>⑳ 365 x 71 x 15 mm</p>  <p>1</p>	
<p>⑰ 1118 x 502 x 18 mm</p>  <p>1</p>	<p>㉚ 1101 x 100 x 15 mm</p>  <p>1</p>	

Assembly Instructions

Step 1

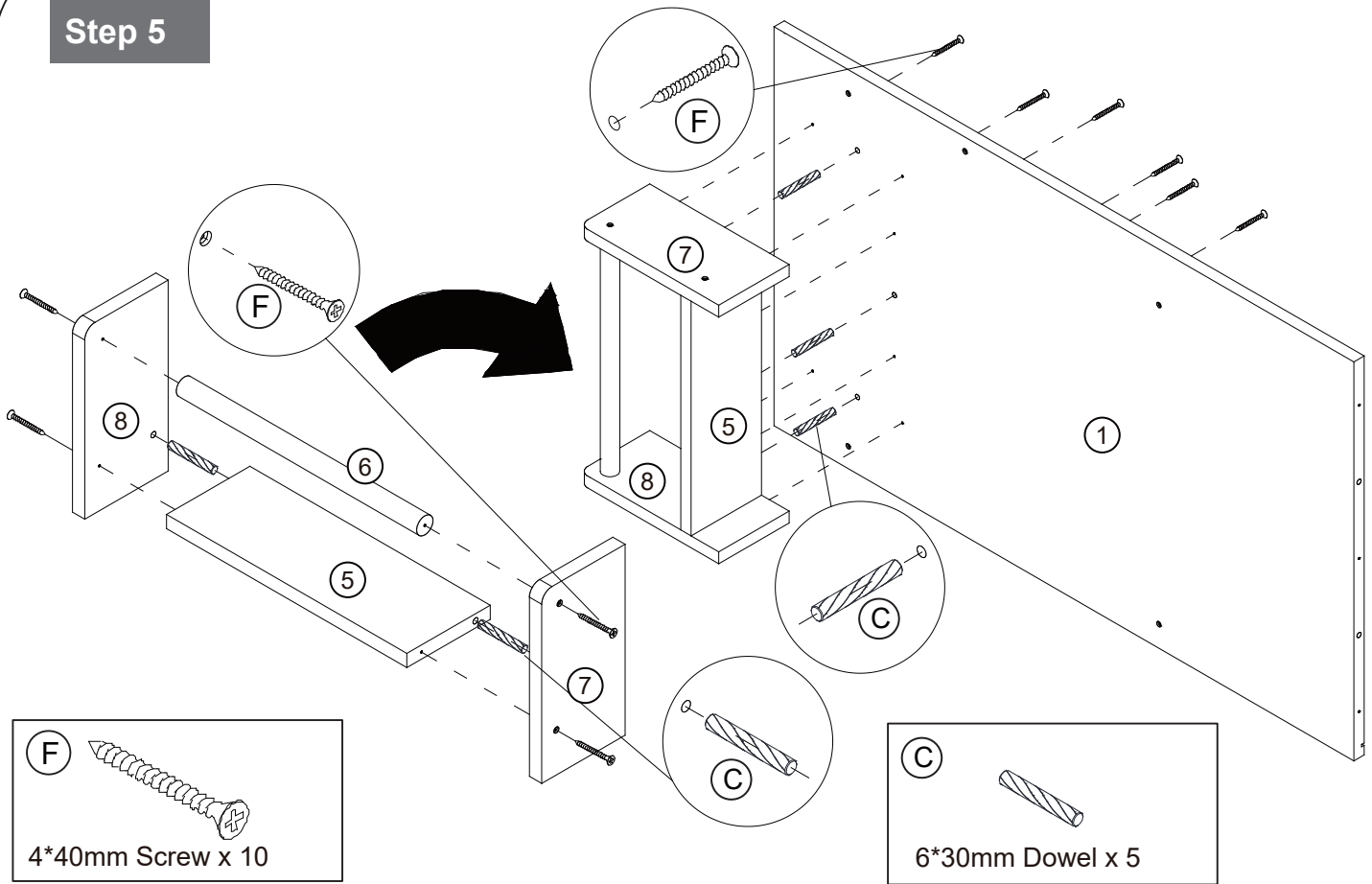


Step 2

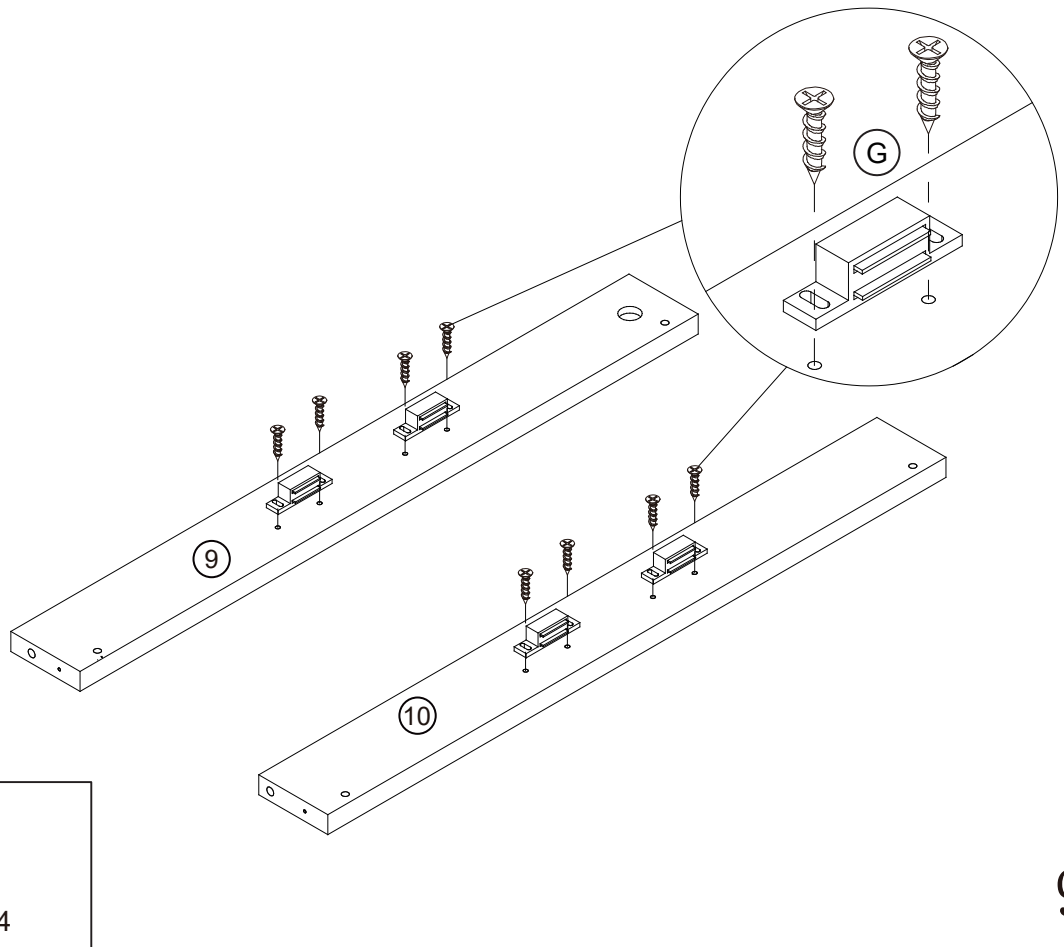


Assembly Instructions

Step 5

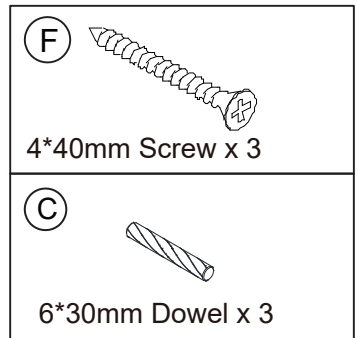
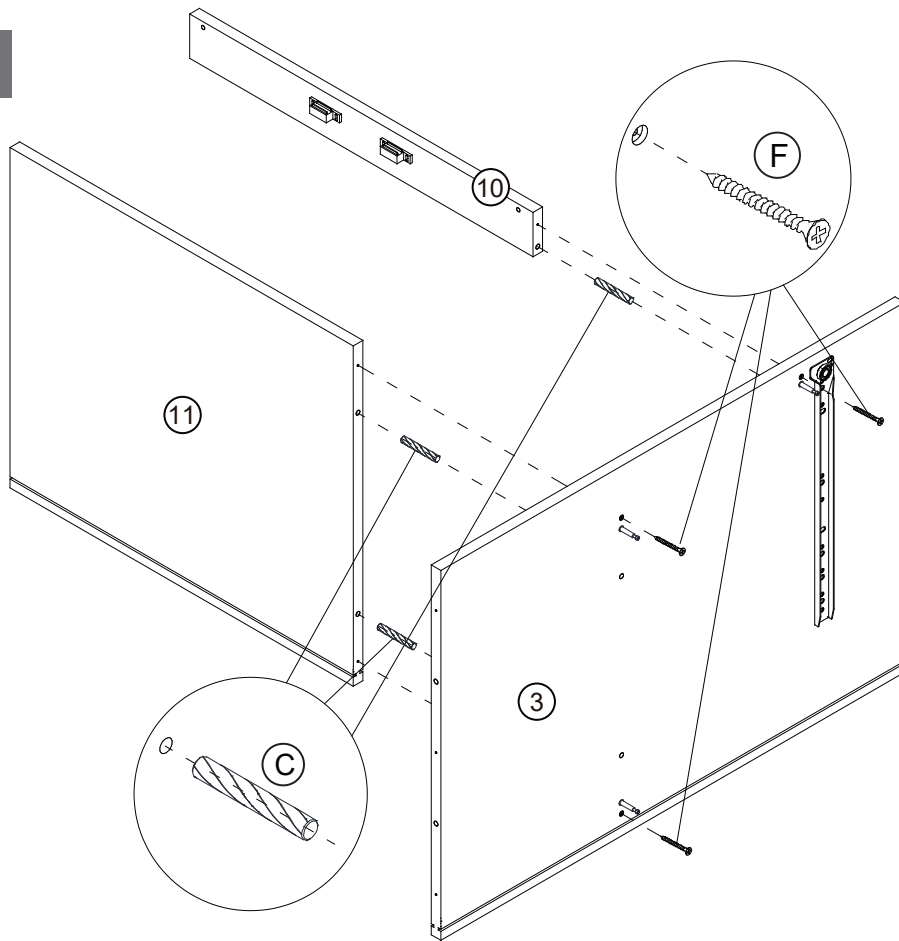


Step 6

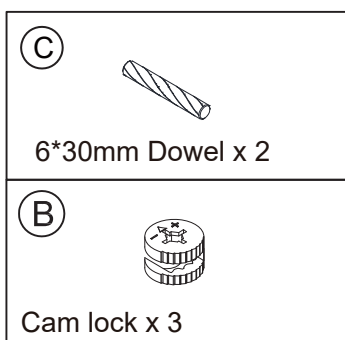
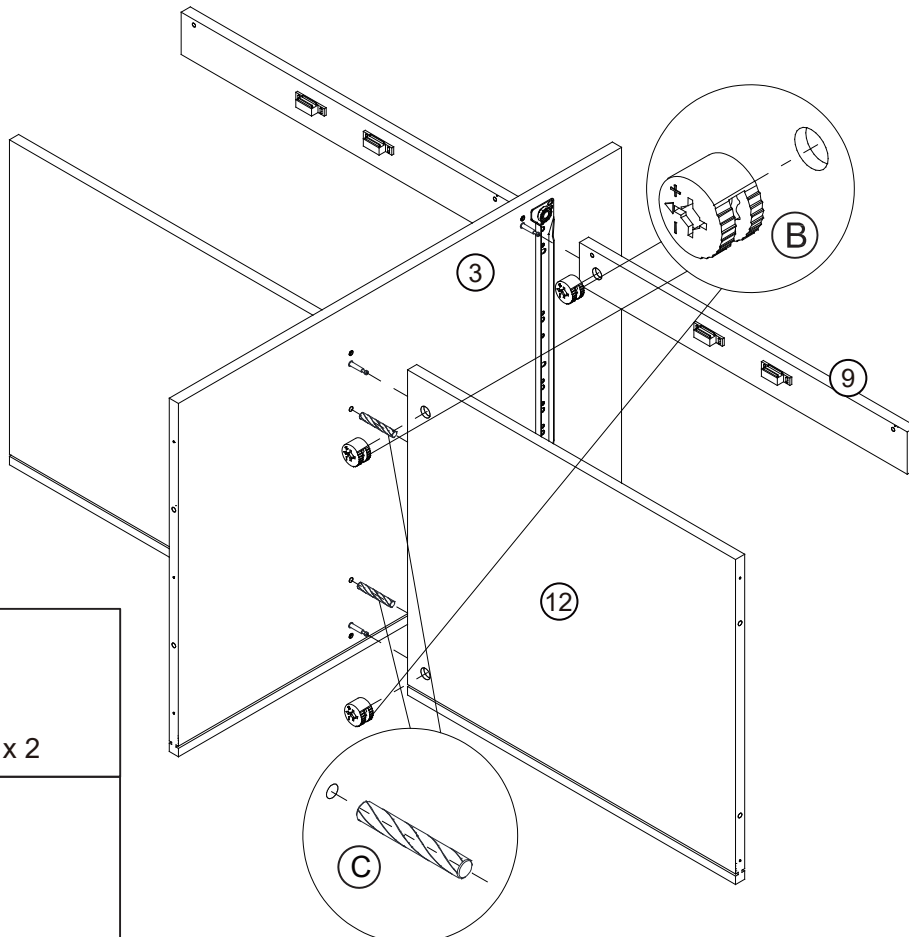


Assembly Instructions

Step 7

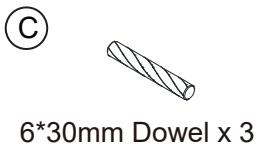
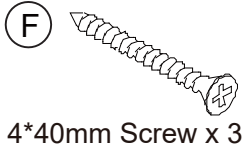
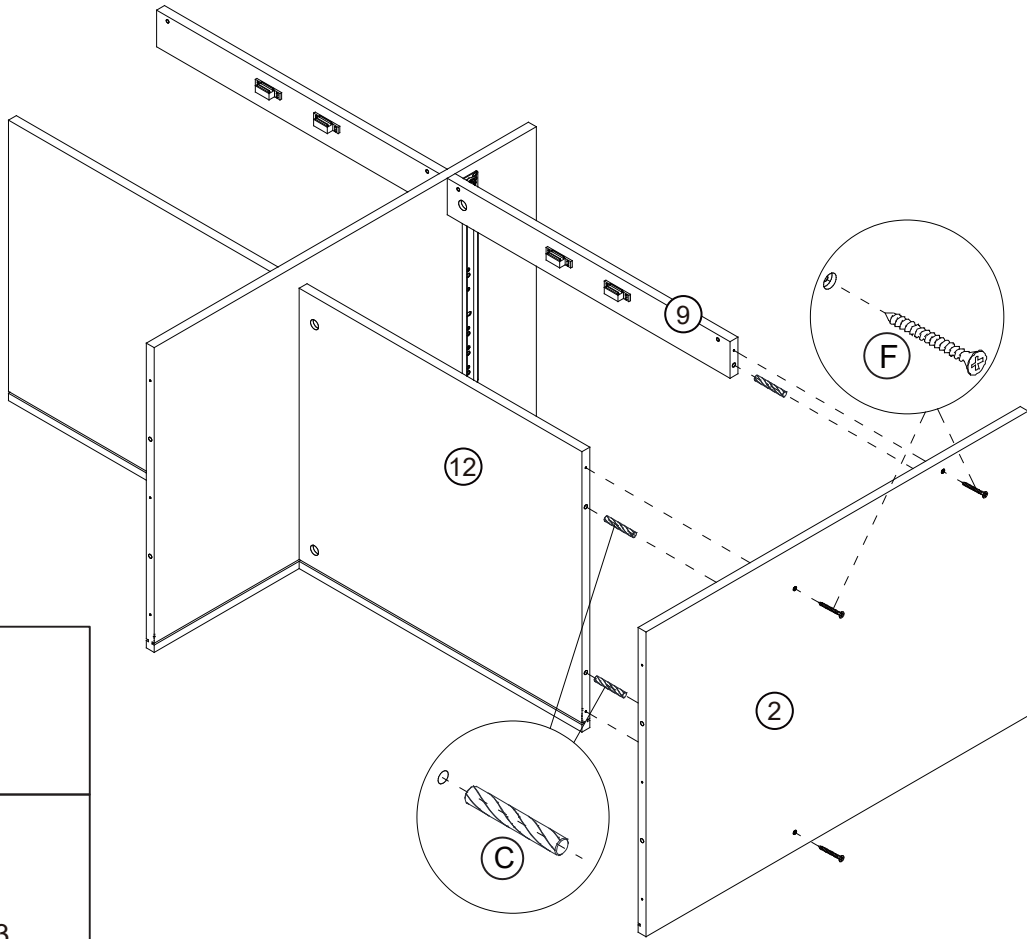


Step 8

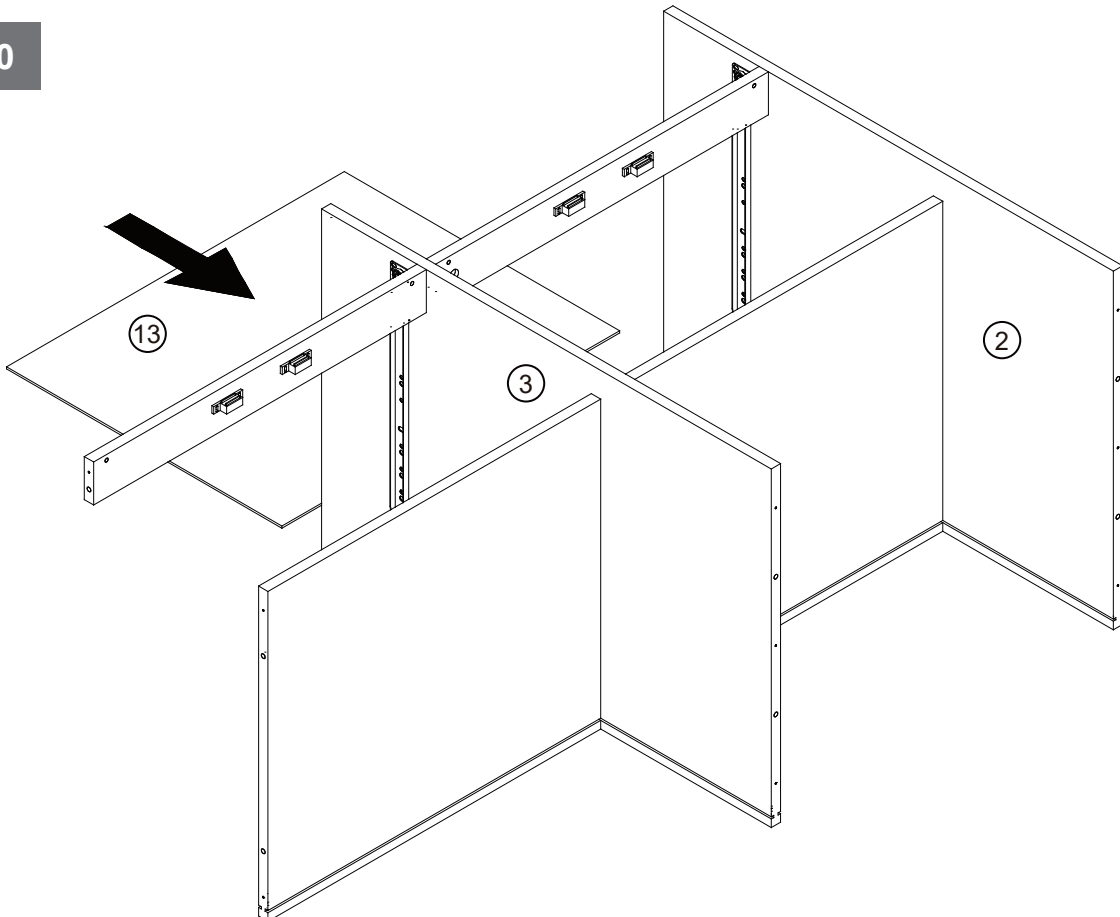


Assembly Instructions

Step 9

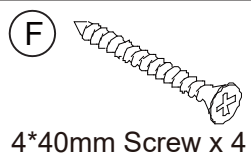
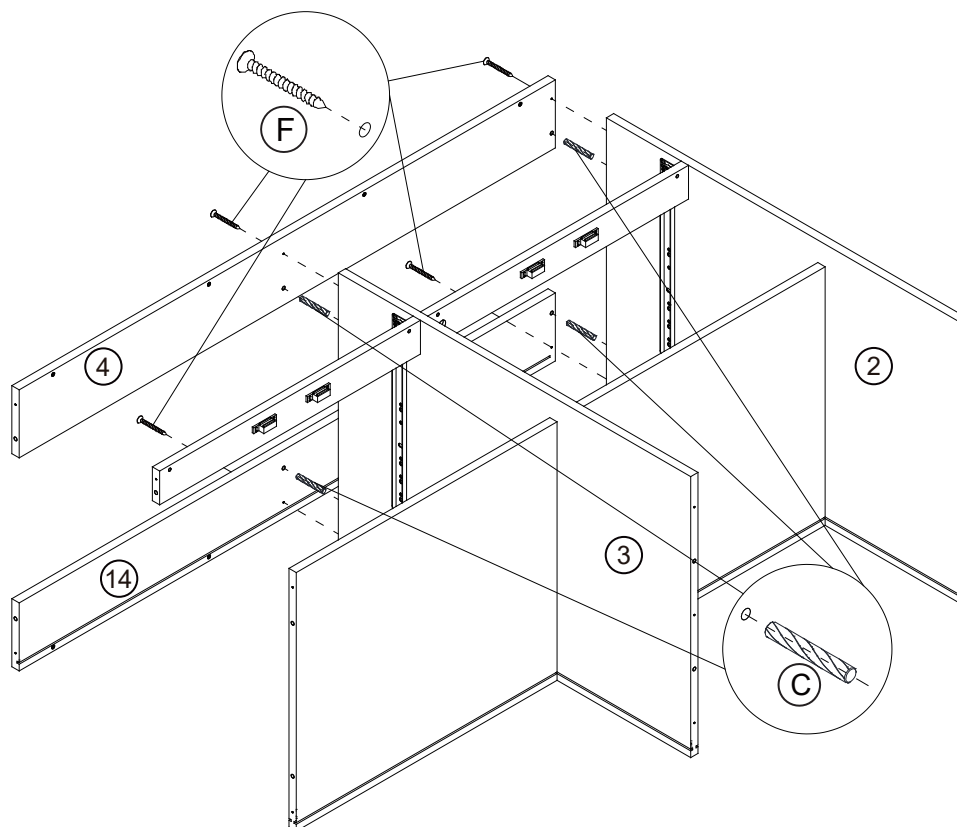


Step 10

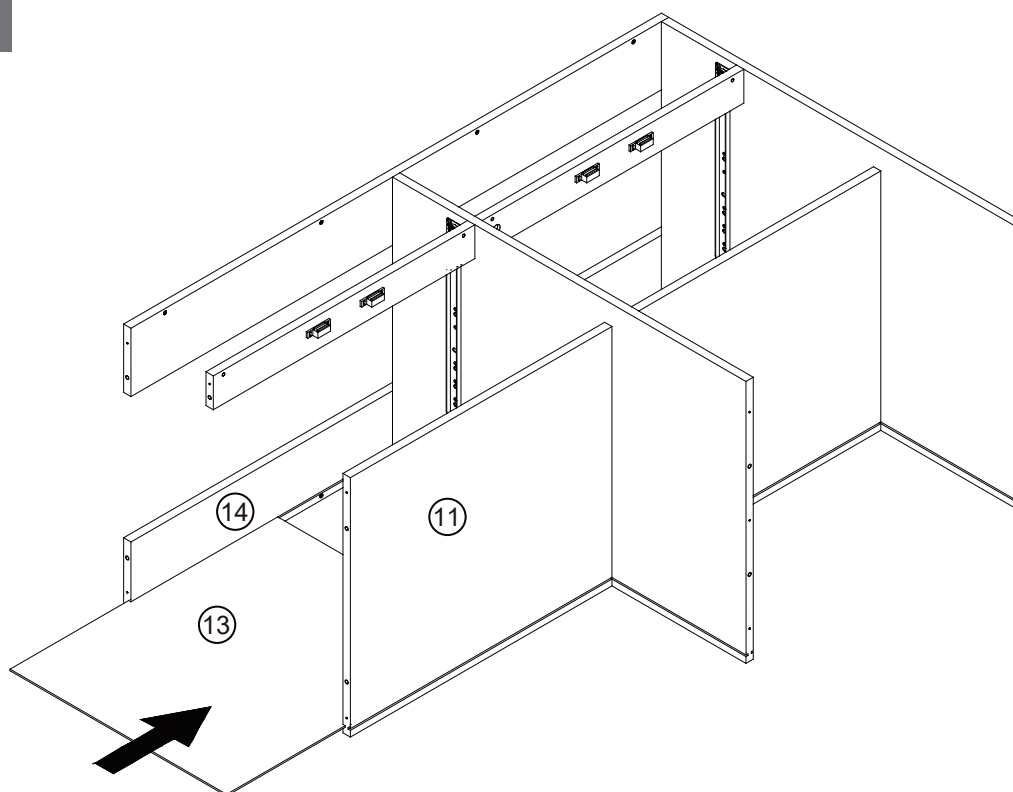


Assembly Instructions

Step 11

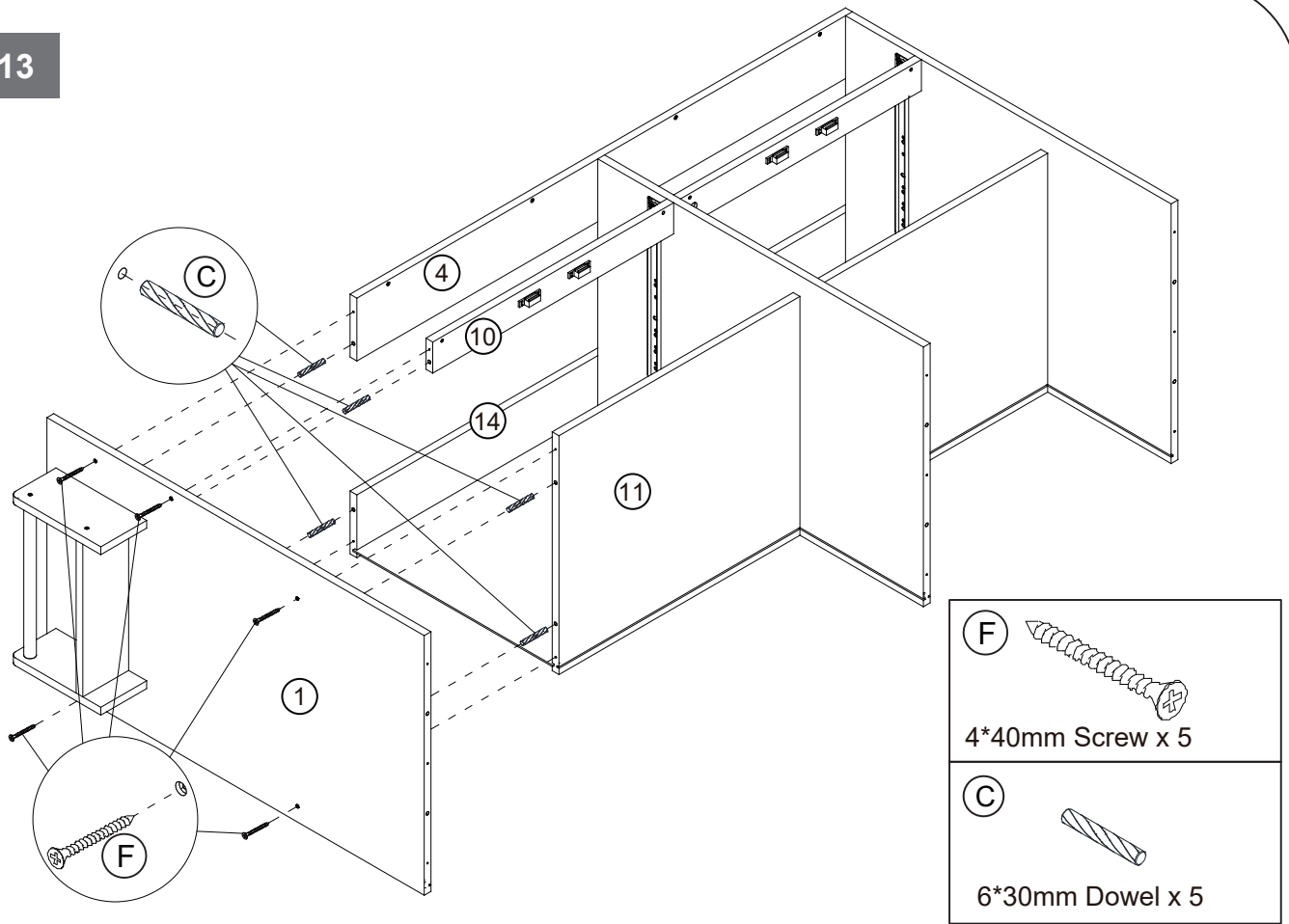


Step 12

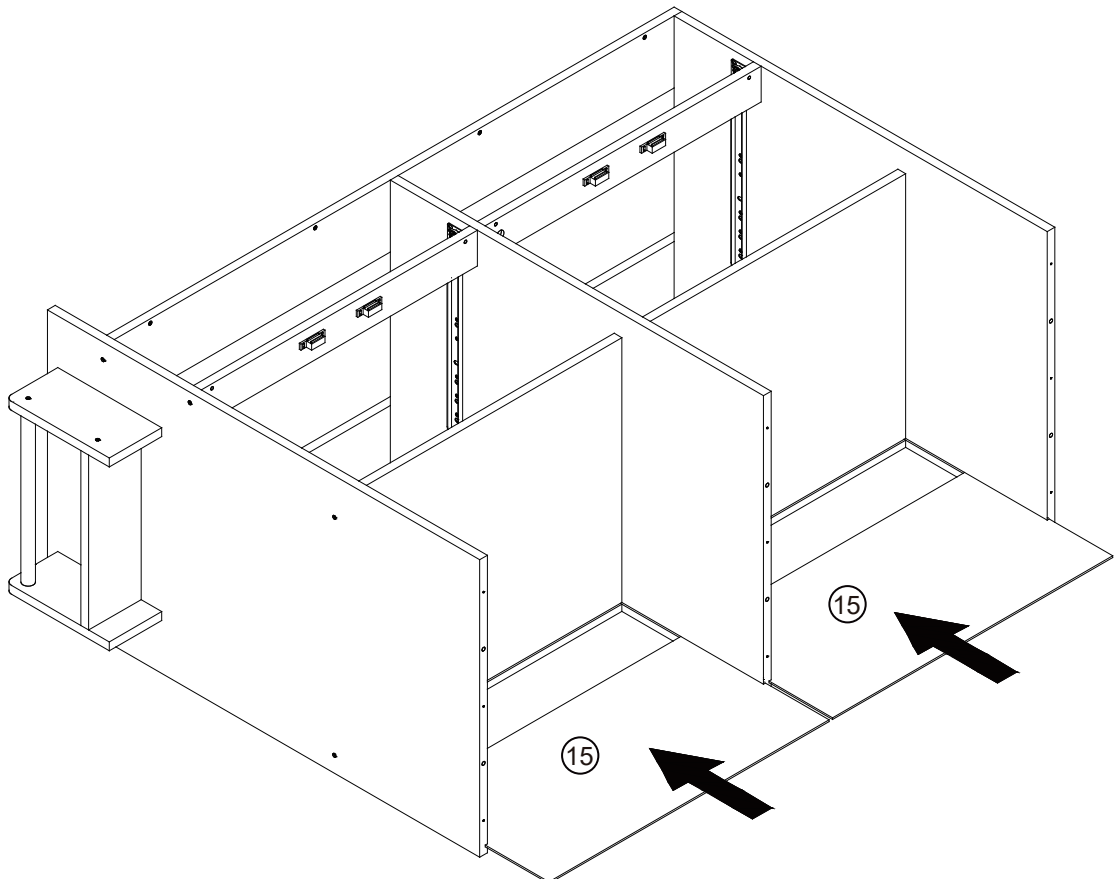


Assembly Instructions

Step 13

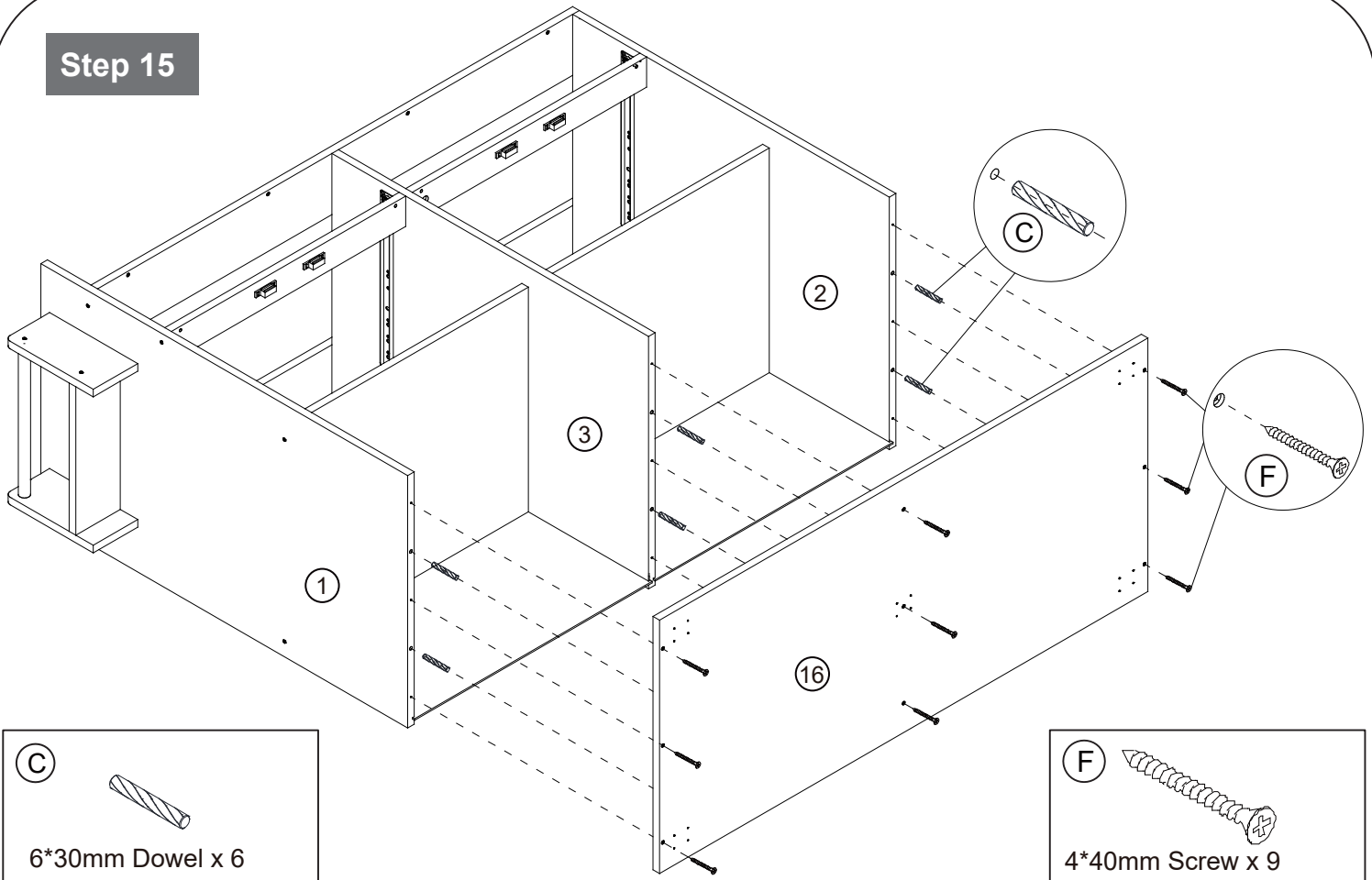


Step 14



Assembly Instructions

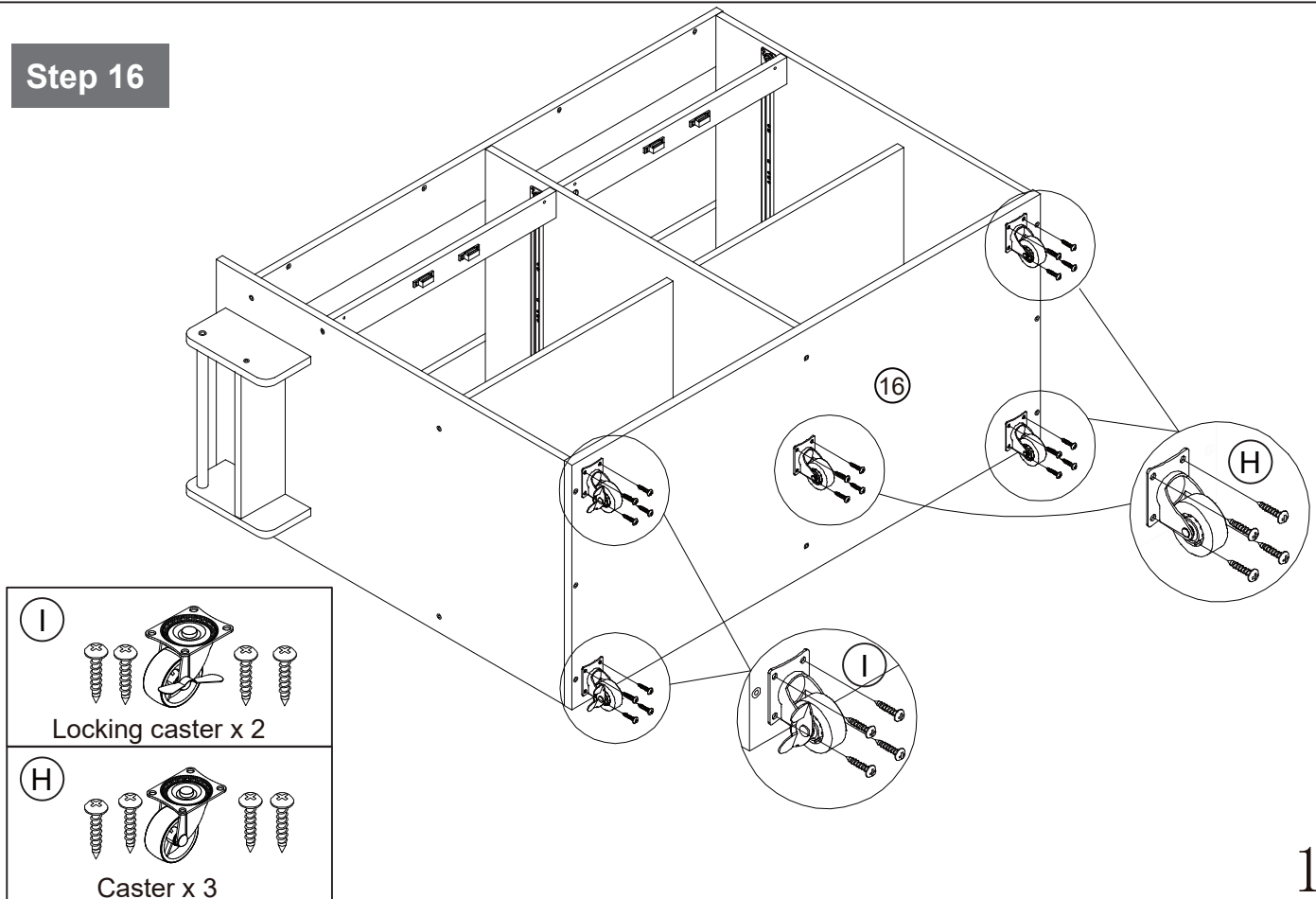
Step 15



C
6*30mm Dowel x 6

F
4*40mm Screw x 9

Step 16

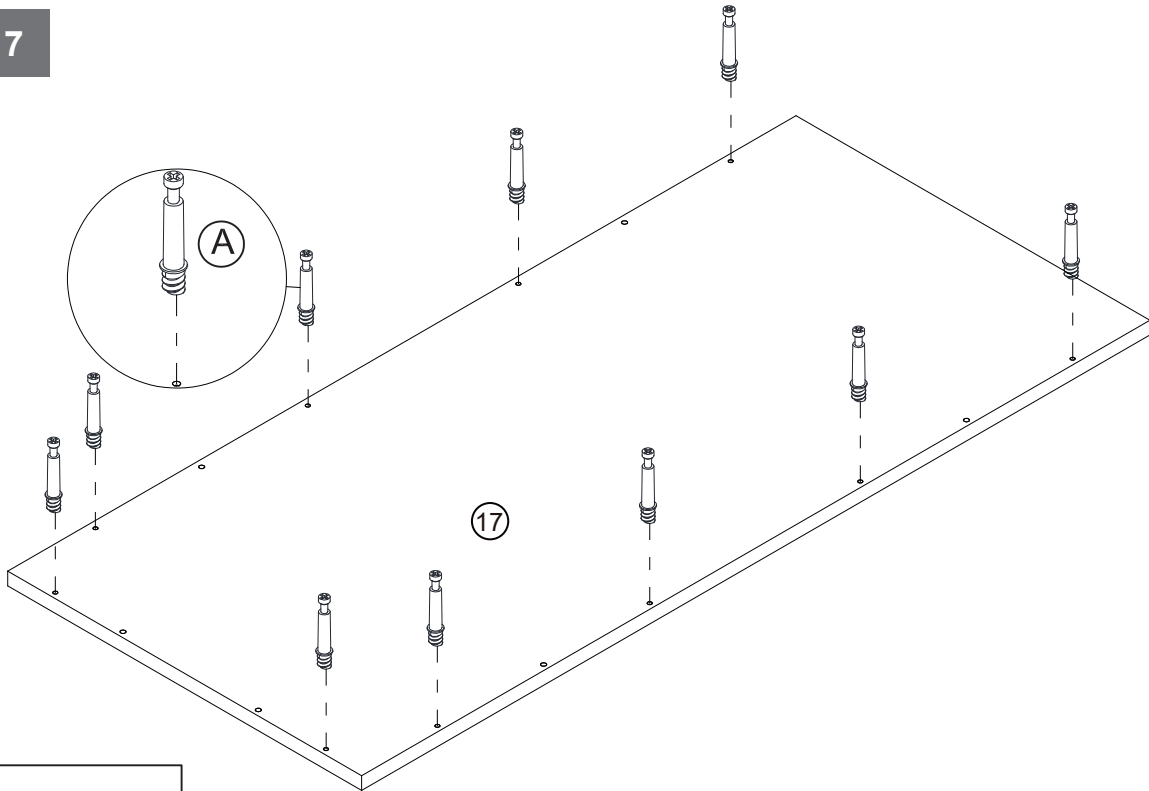


I
Locking caster x 2

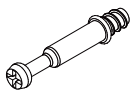
H
Caster x 3

Assembly Instructions

Step 17

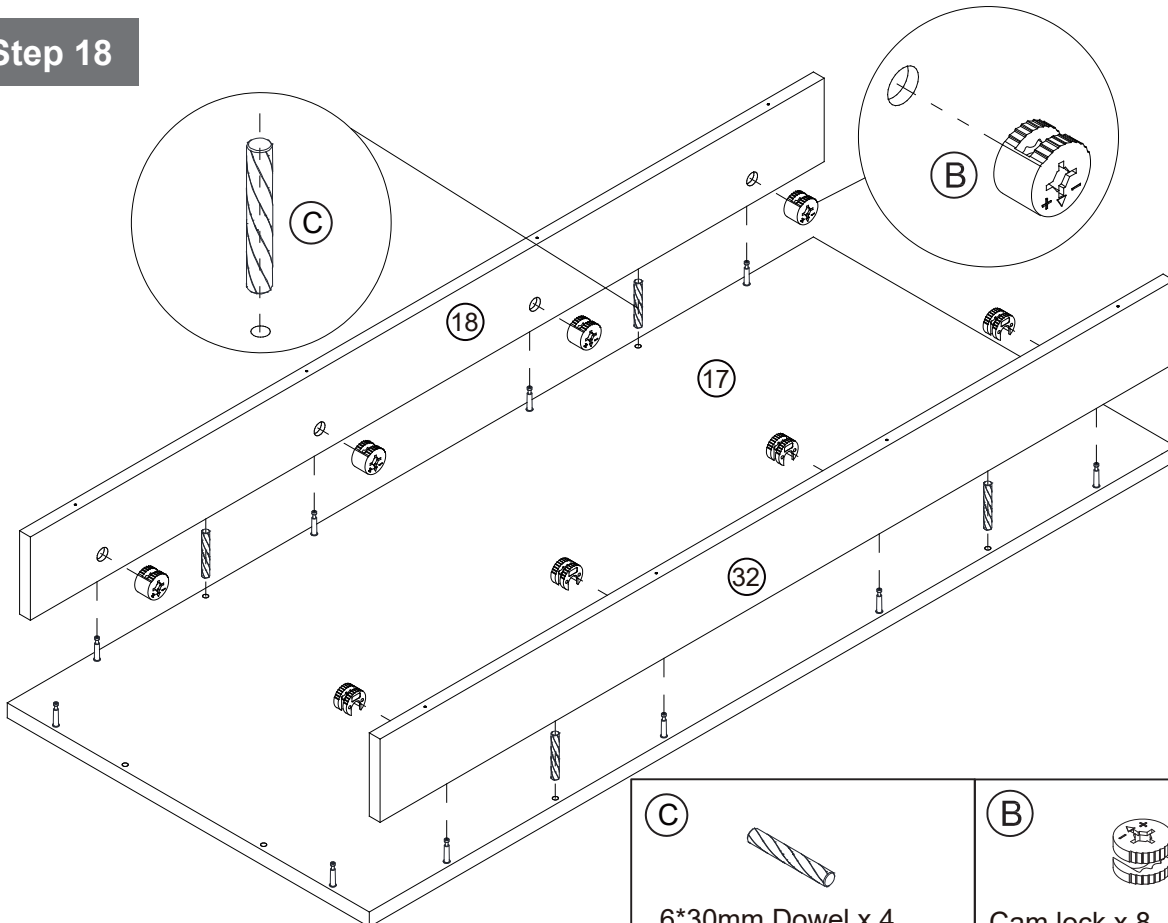


(A)



Cam Bolt x 10

Step 18



(C)



6*30mm Dowel x 4

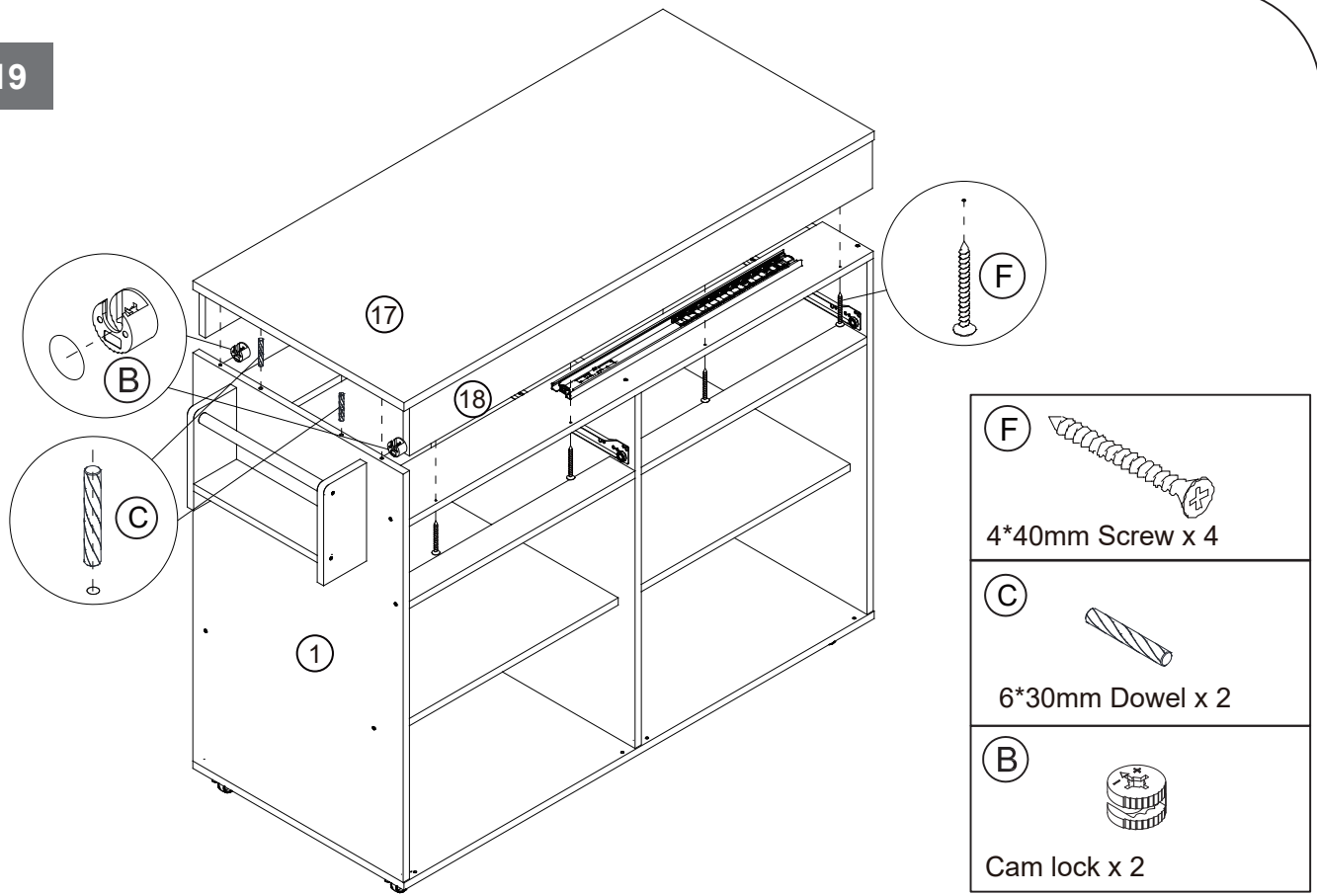
(B)



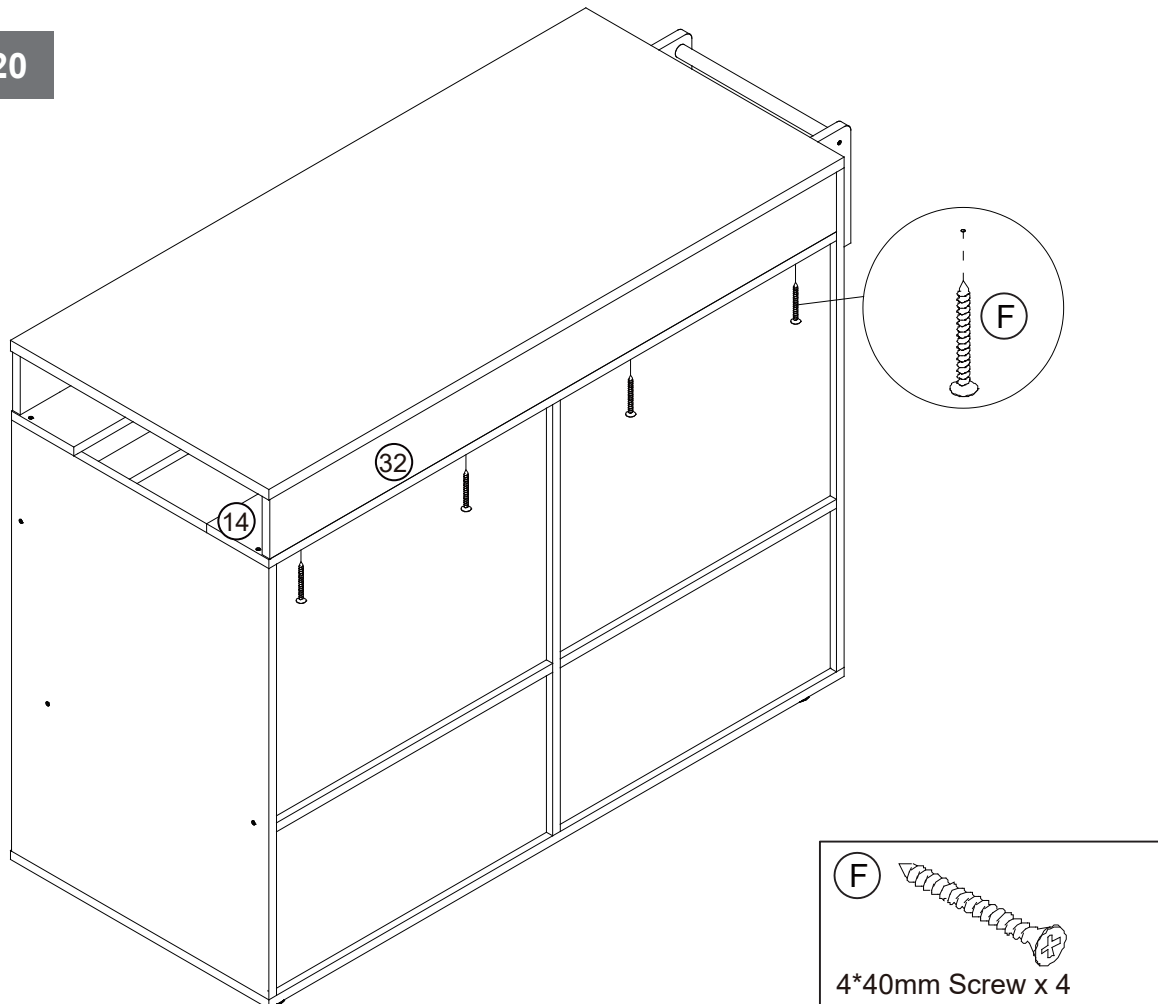
Cam lock x 8

Assembly Instructions

Step 19



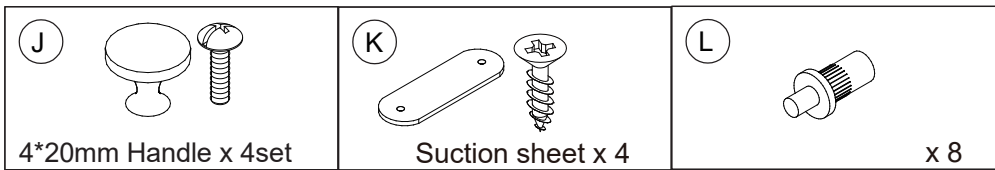
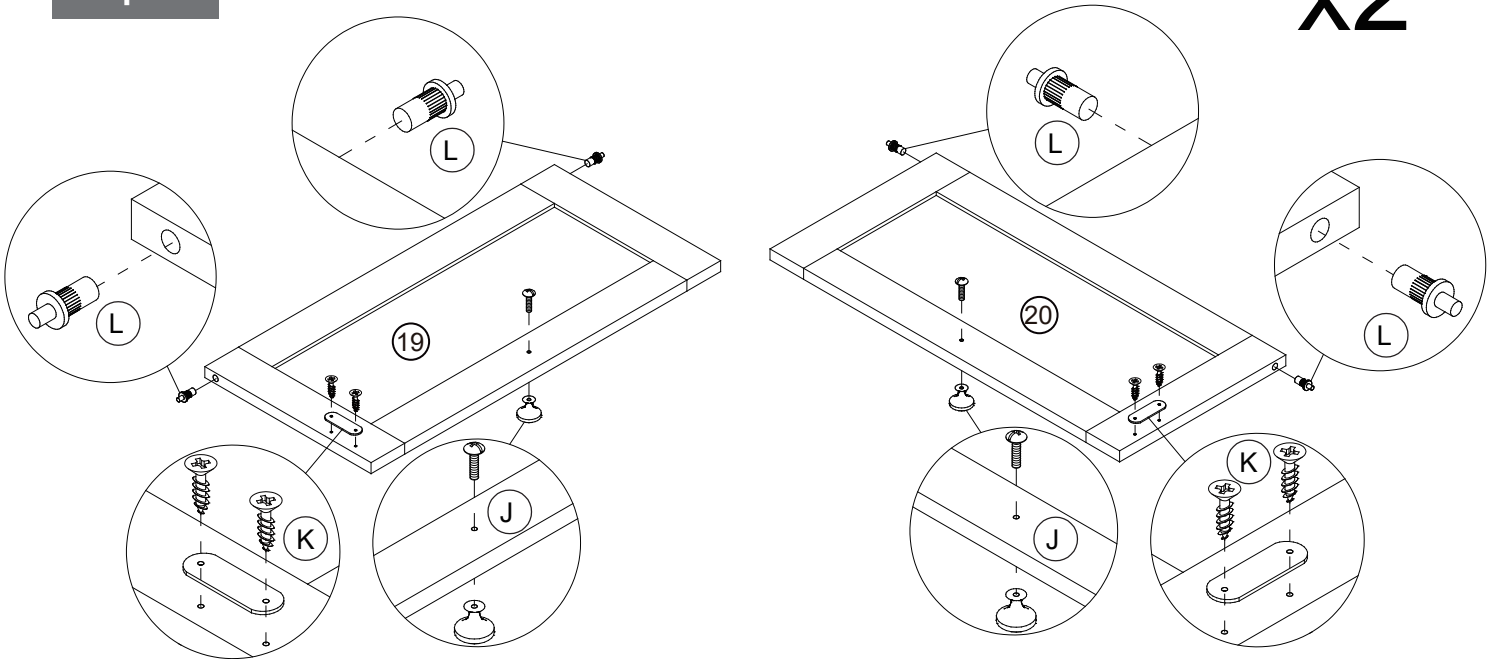
Step 20



Assembly Instructions

Step 21

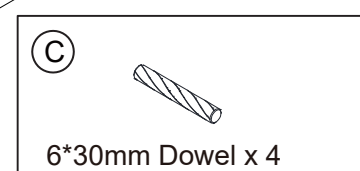
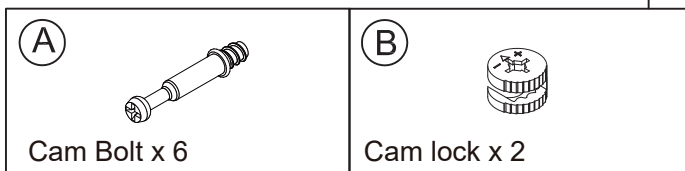
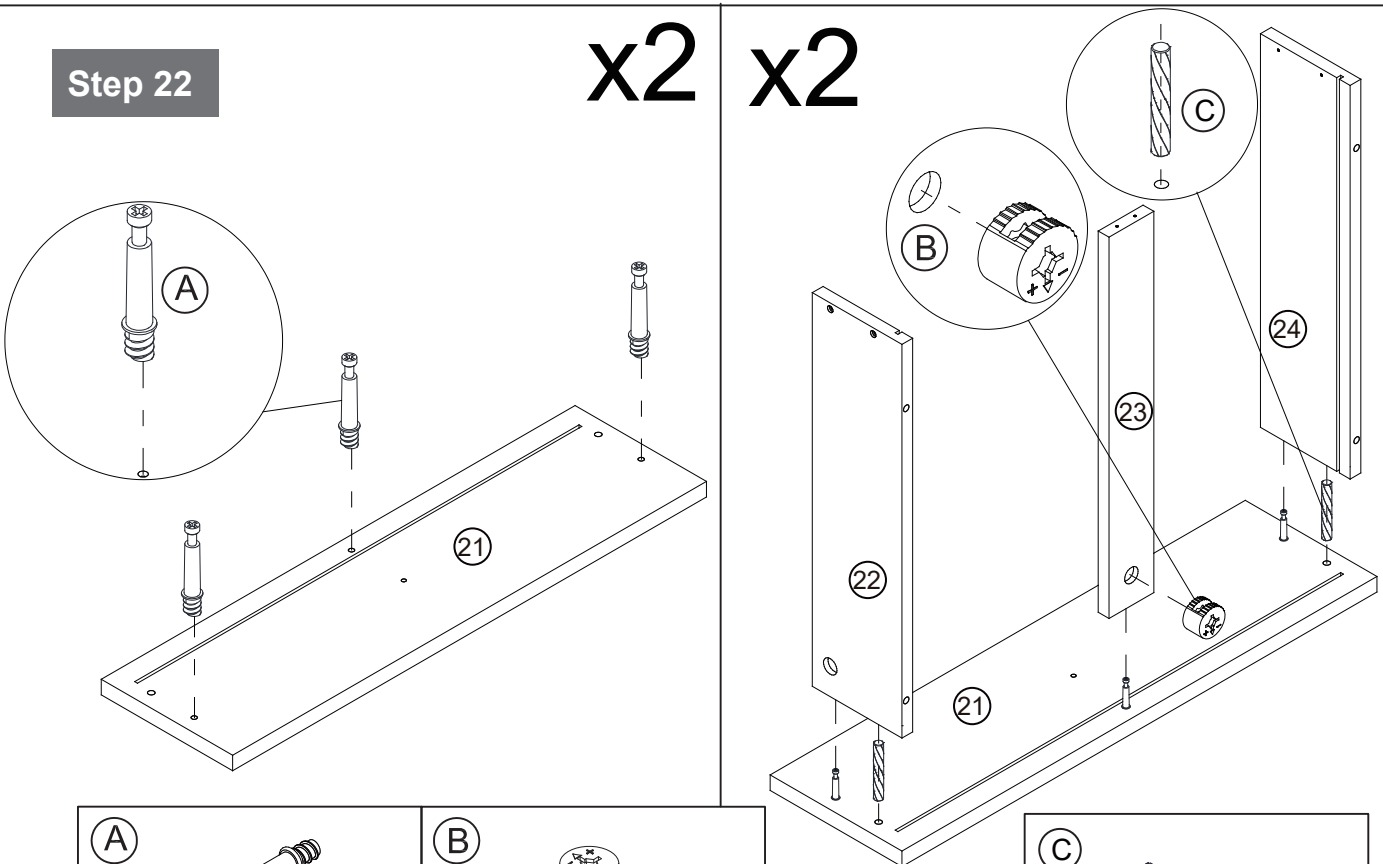
x2



Step 22

x2

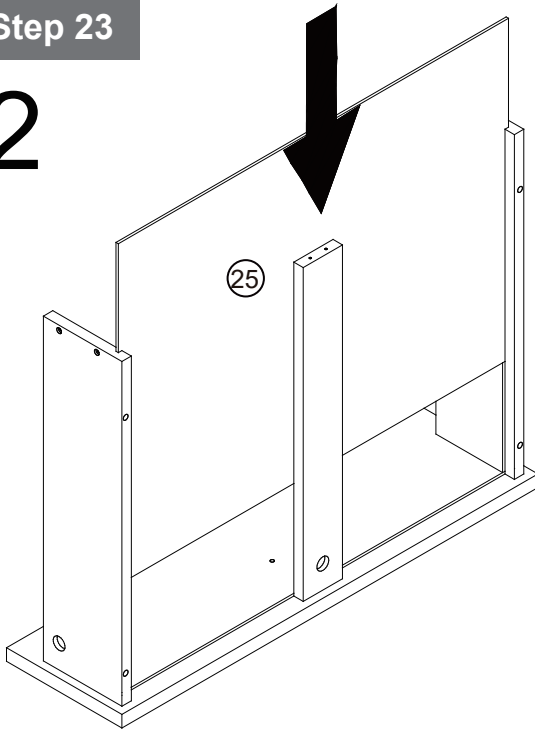
x2



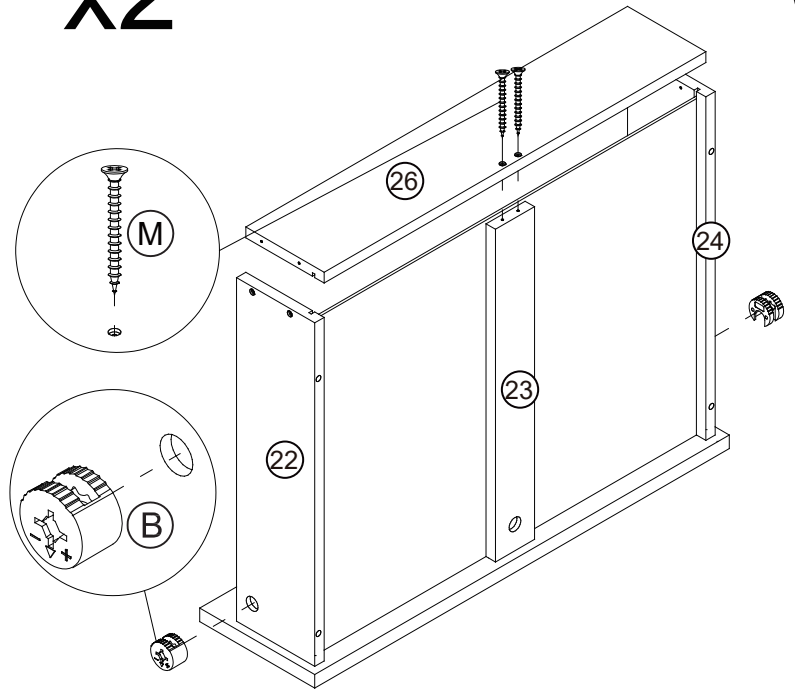
Assembly Instructions

Step 23

x2



x2



(B)



Cam lock x 4

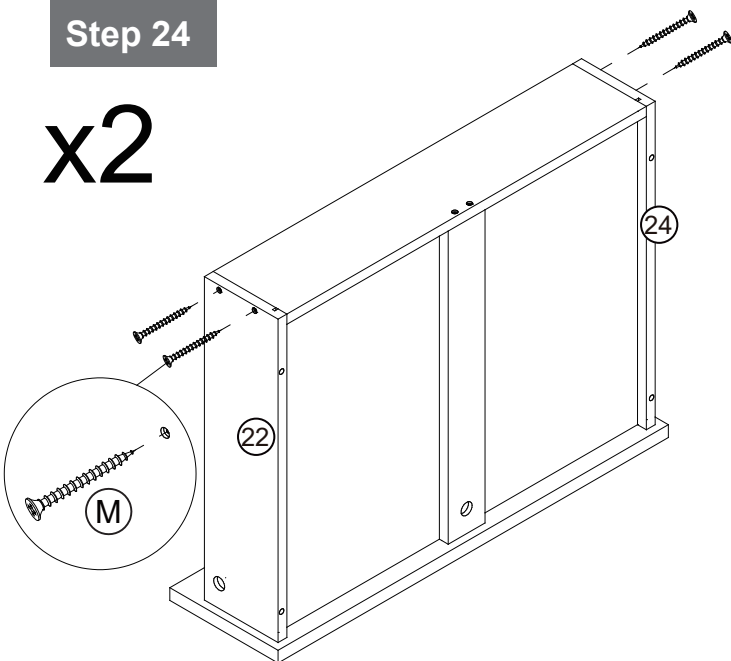
(M)



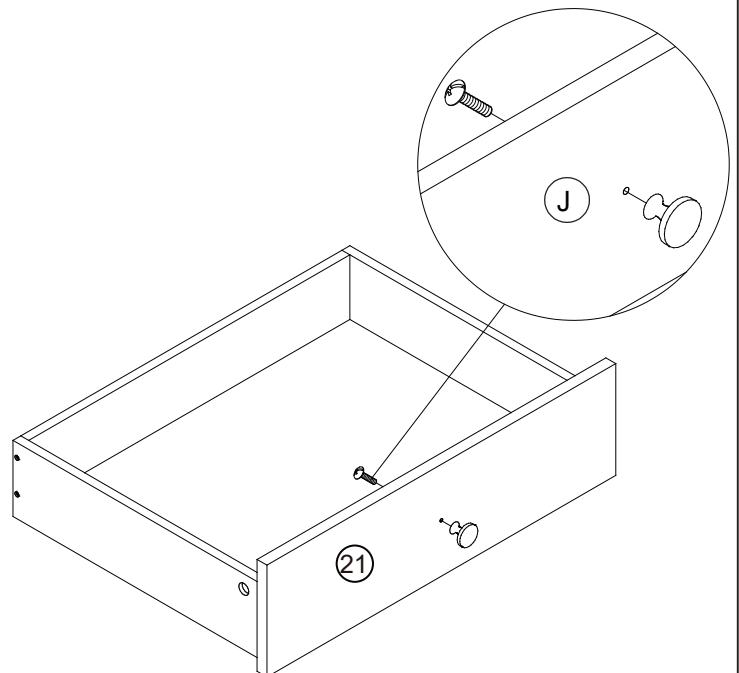
4*30mm Screw x 4

Step 24

x2



x2

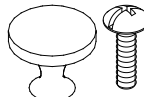


(M)



4*30mm Screw x 8

(J)

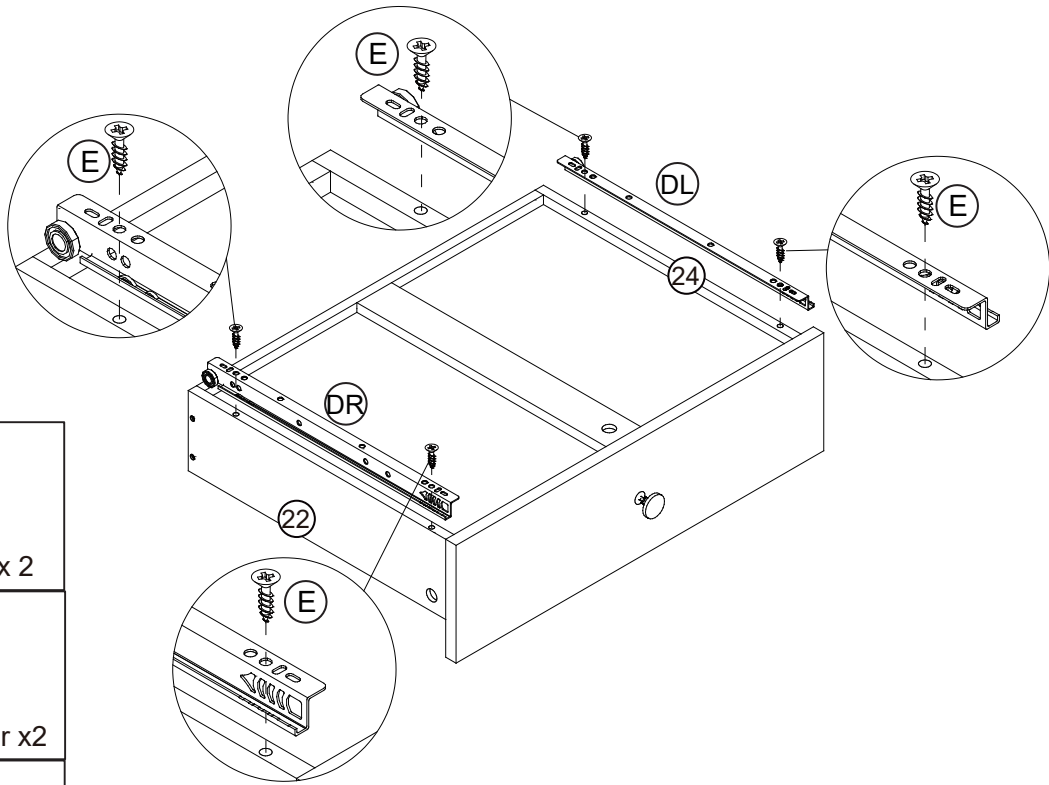


4*20mm Handle x 2set

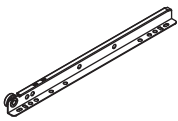
Assembly Instructions

Step 25

x2

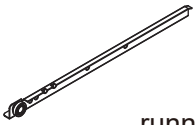


DR



runner x 2

DL



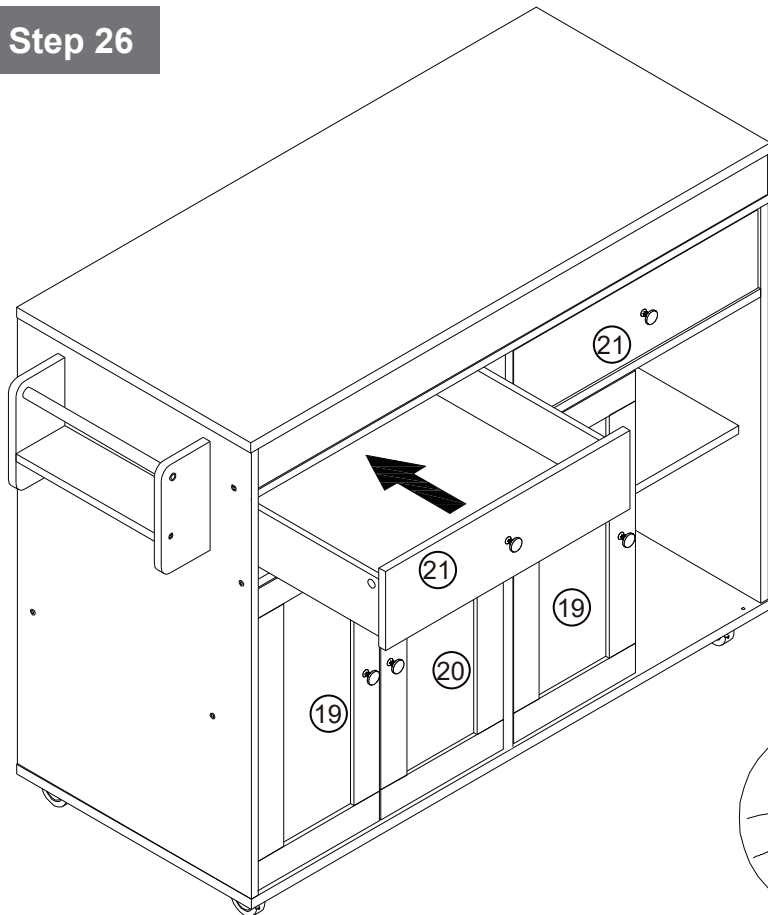
runner x2

E

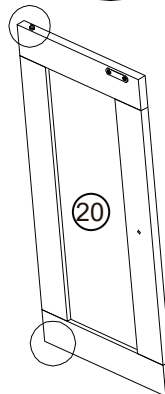


3*12mm Screw x 8

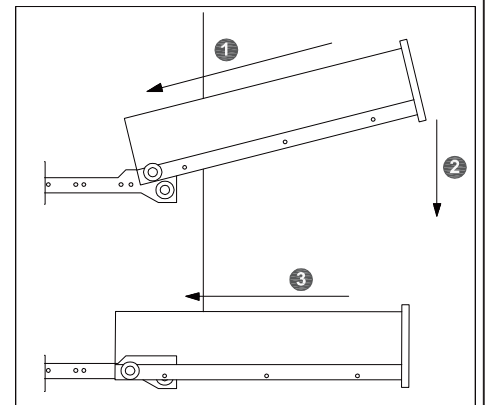
Step 26



TOP

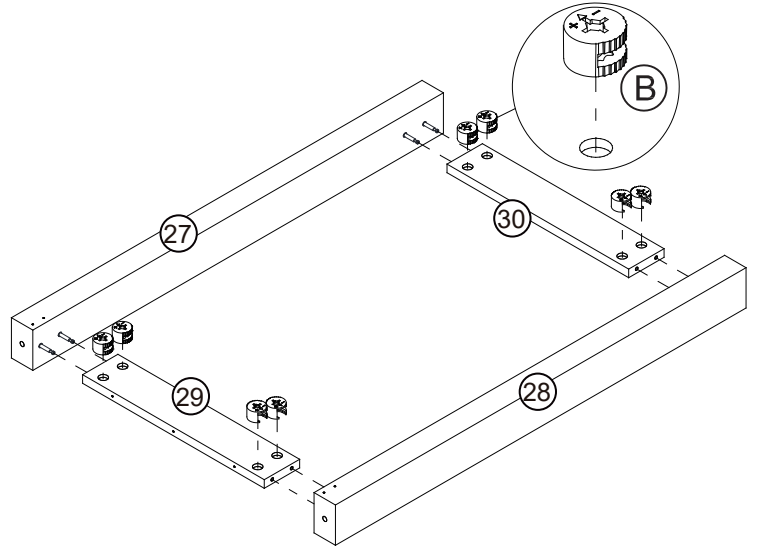
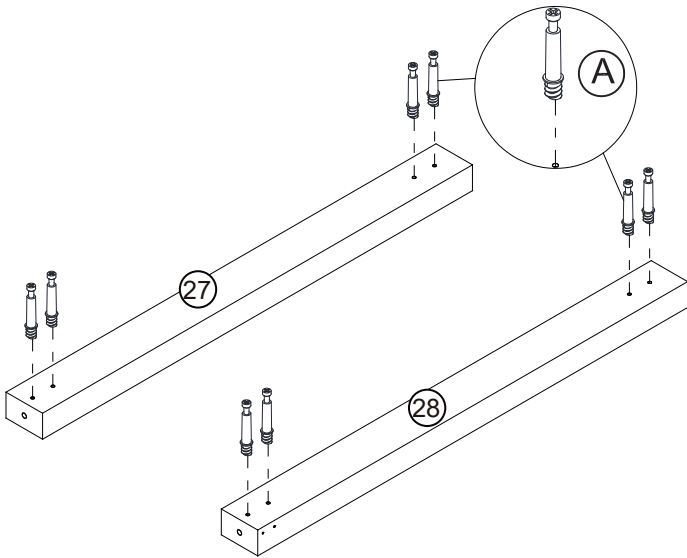


BOTTOM

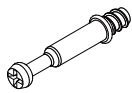


Assembly Instructions

Step 27



A



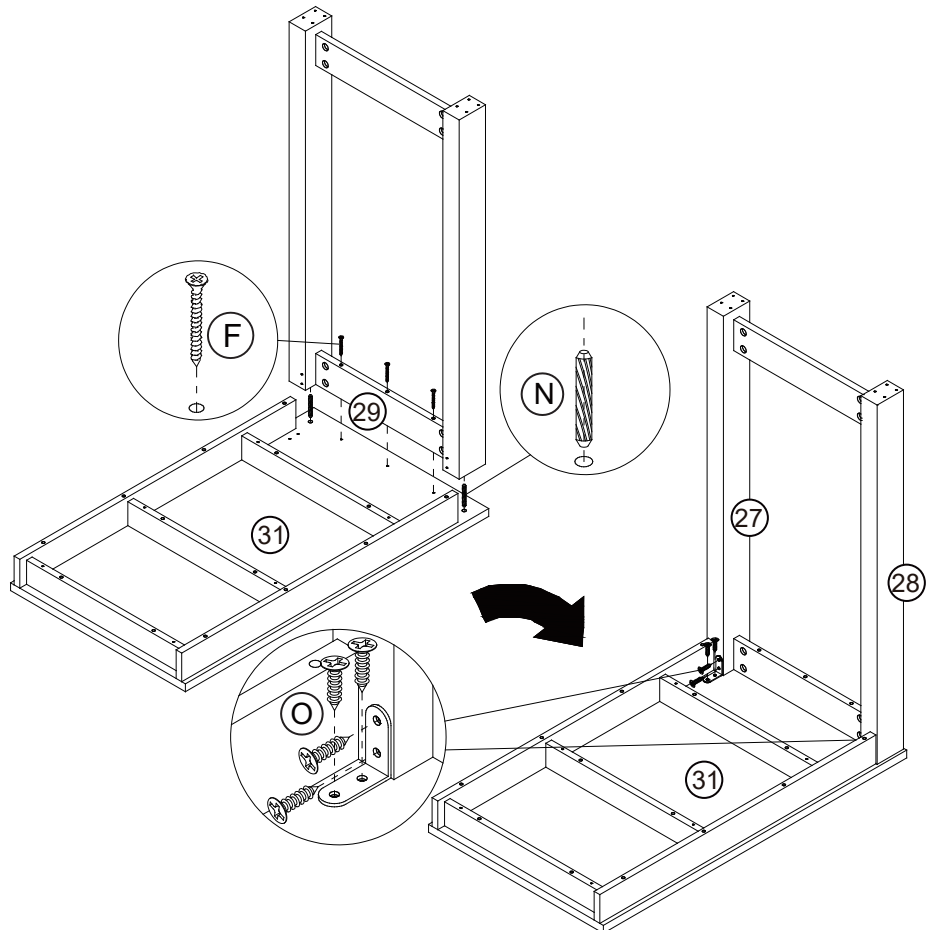
Cam Bolt x 8

B

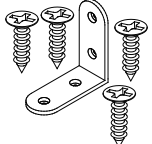


Cam lock x 8

Step 28



O



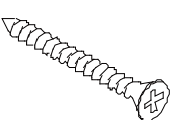
x 2

N



8*30mm Dowel x 2

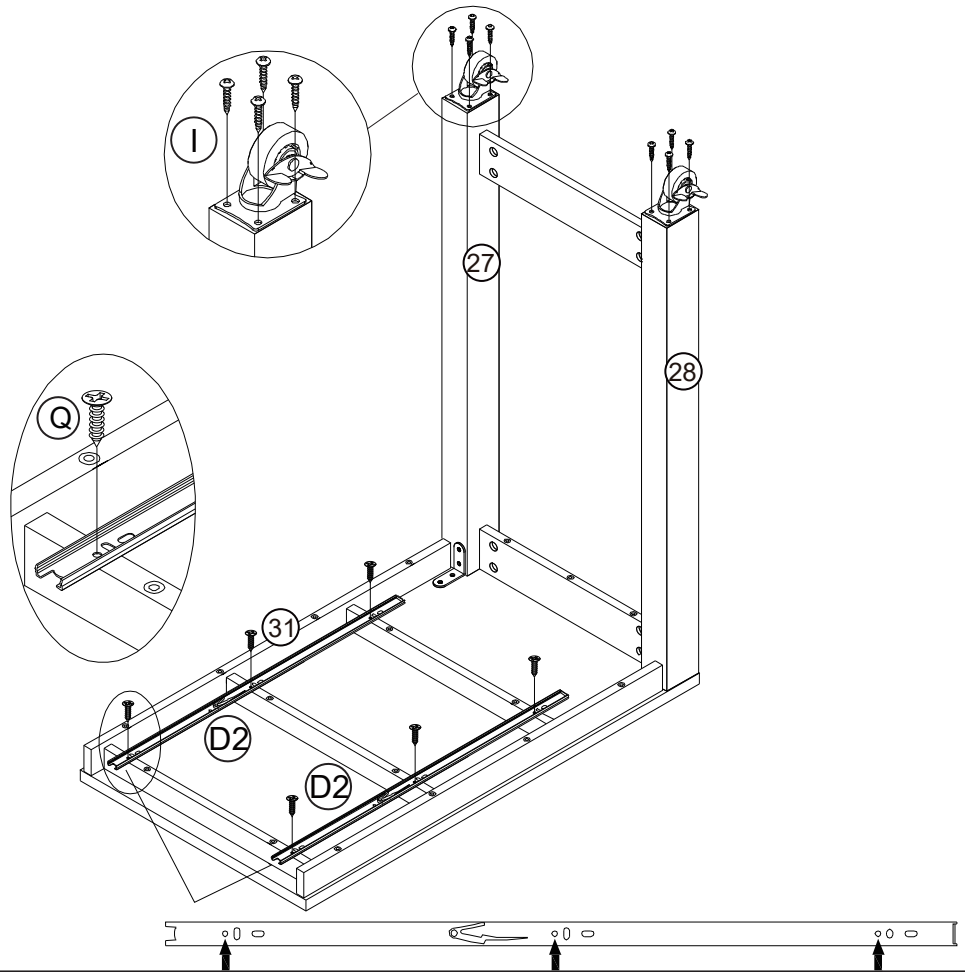
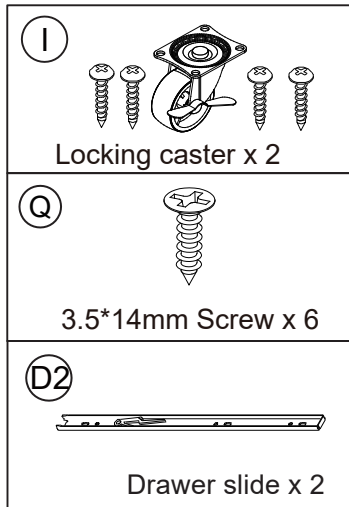
F



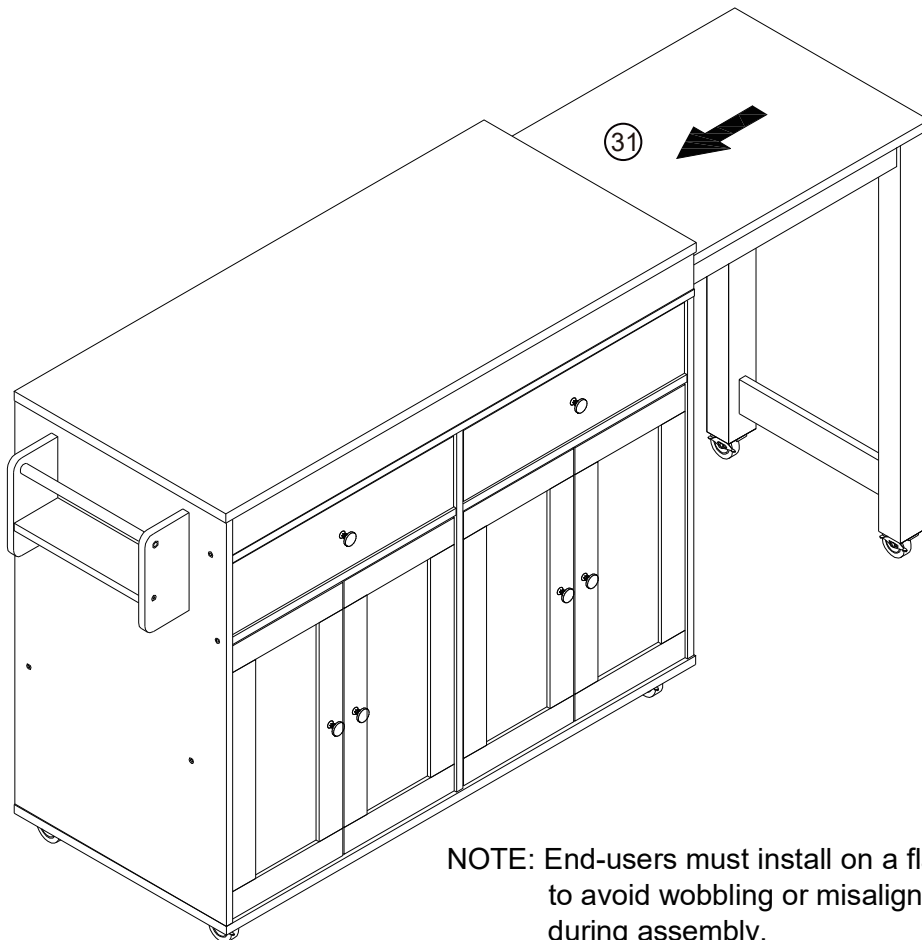
4*40mm Screw x 3

Assembly Instructions

Step 29



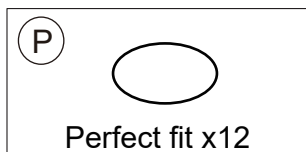
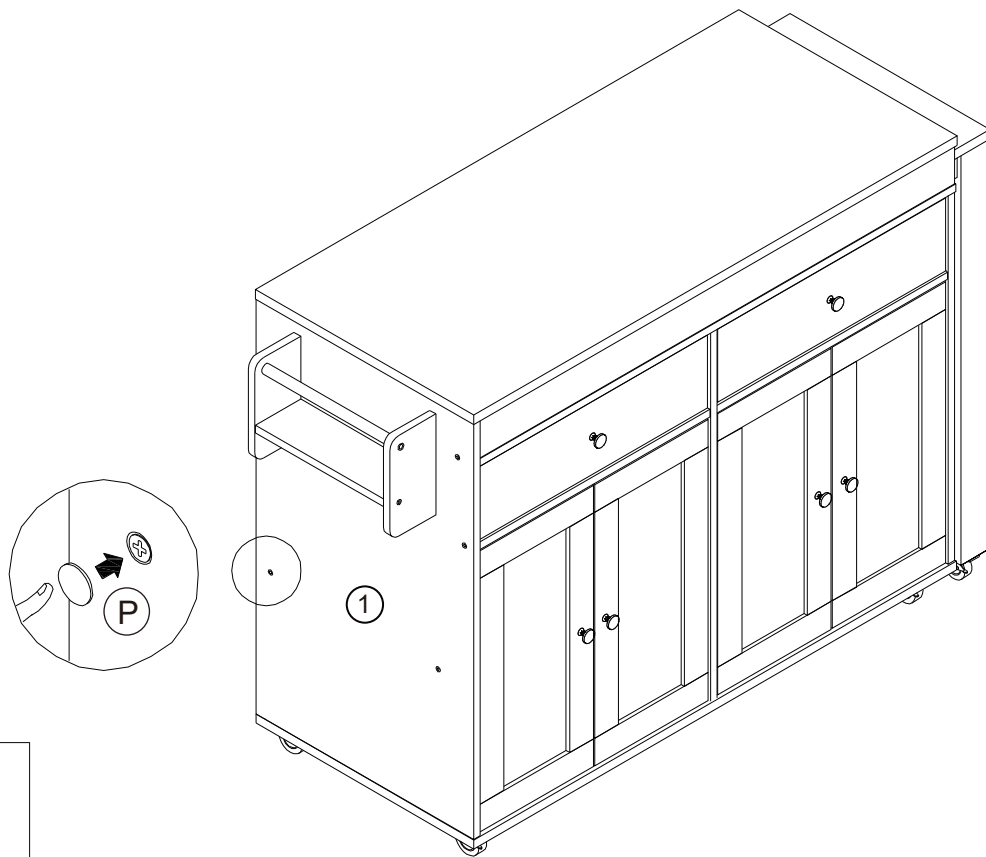
Step 30



NOTE: End-users must install on a flat surface to avoid wobbling or misalignment during assembly.

Assembly Instructions

Step 31



Step 32

