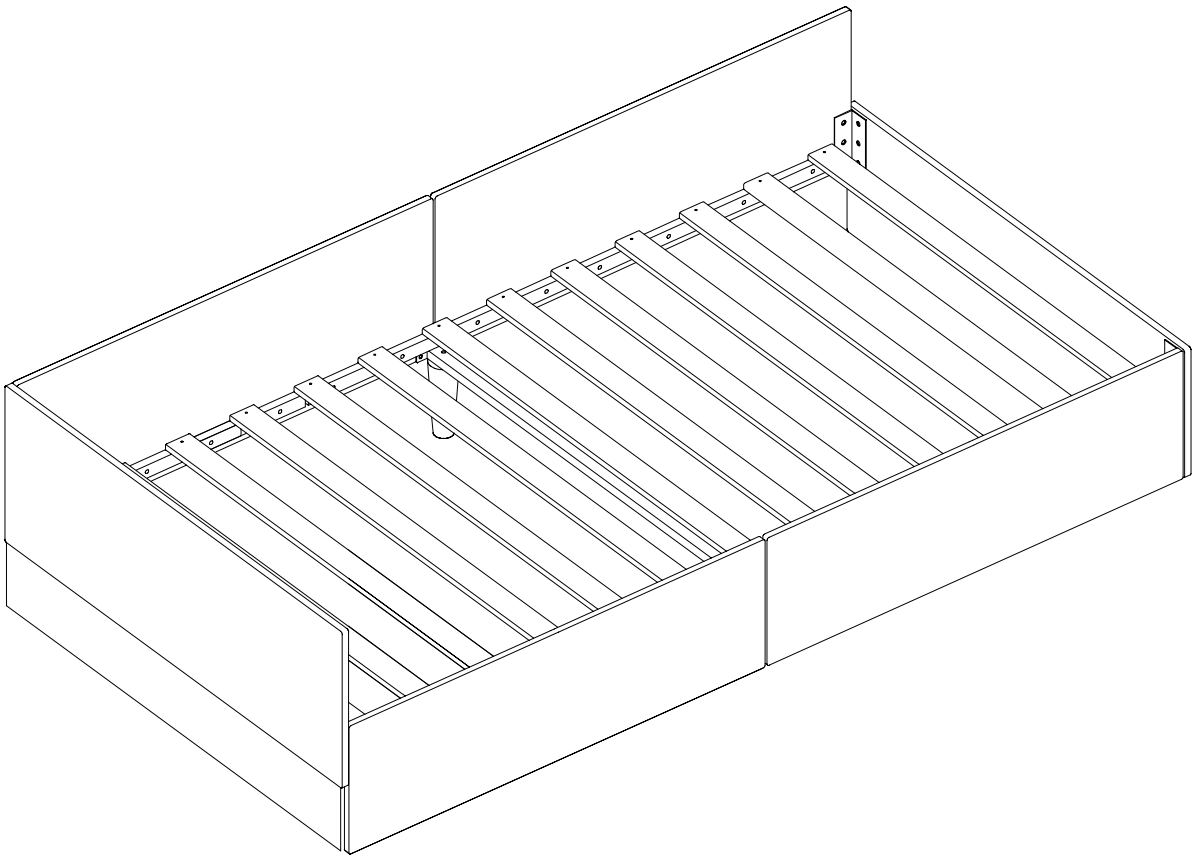
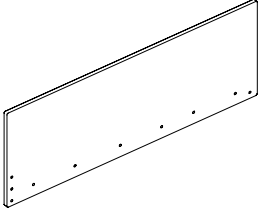
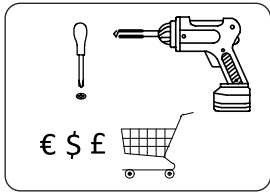
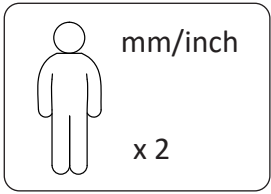
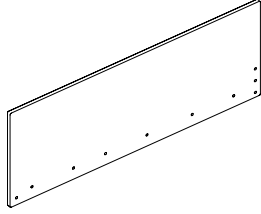


Installation & Assembly

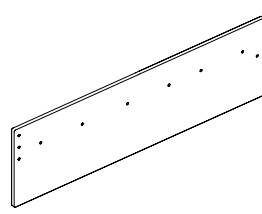




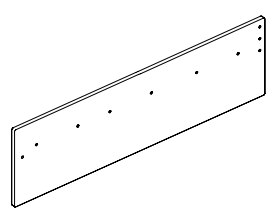
B1x1



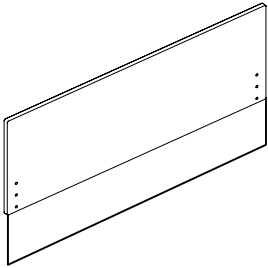
B2x1



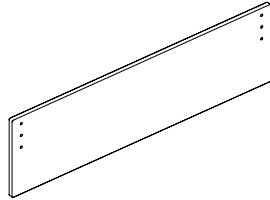
A1x1



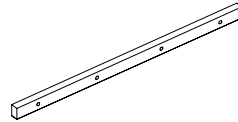
A2x1



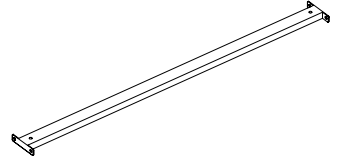
Cx1



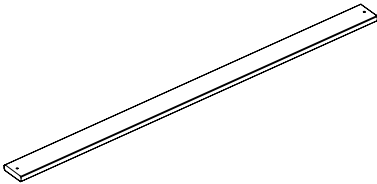
Dx1



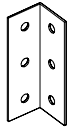
Ex6



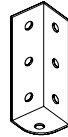
Fx1



Gx13



Hx3



lx1

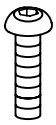


Jx2



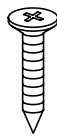
M6x18/0.7

Kx28



M6x35/1.4

Lx24



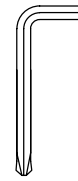
M4x35/1.4

Mx26

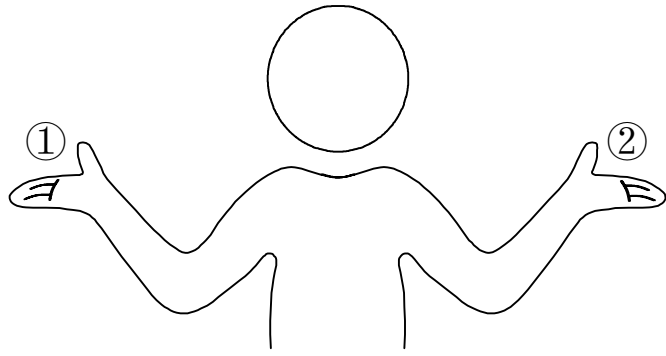


M6

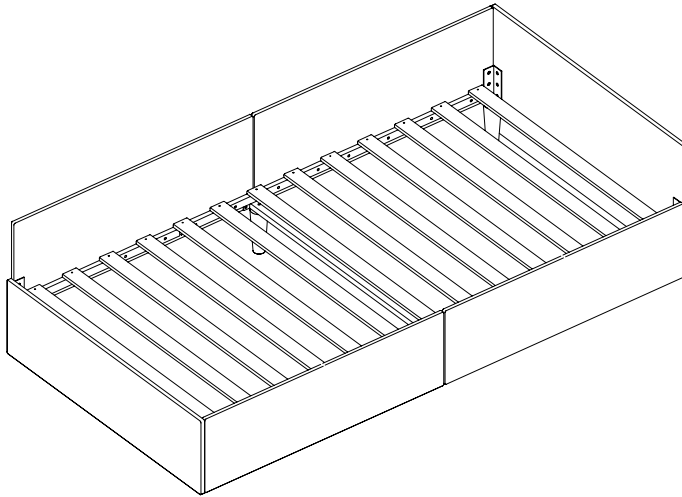
Nx24



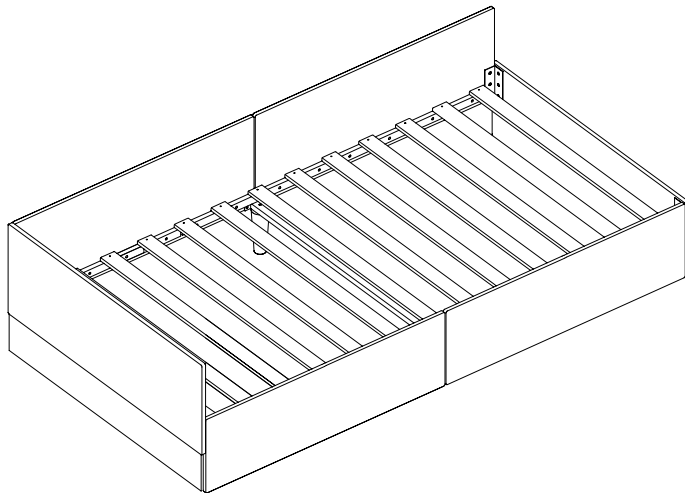
Ox1



①

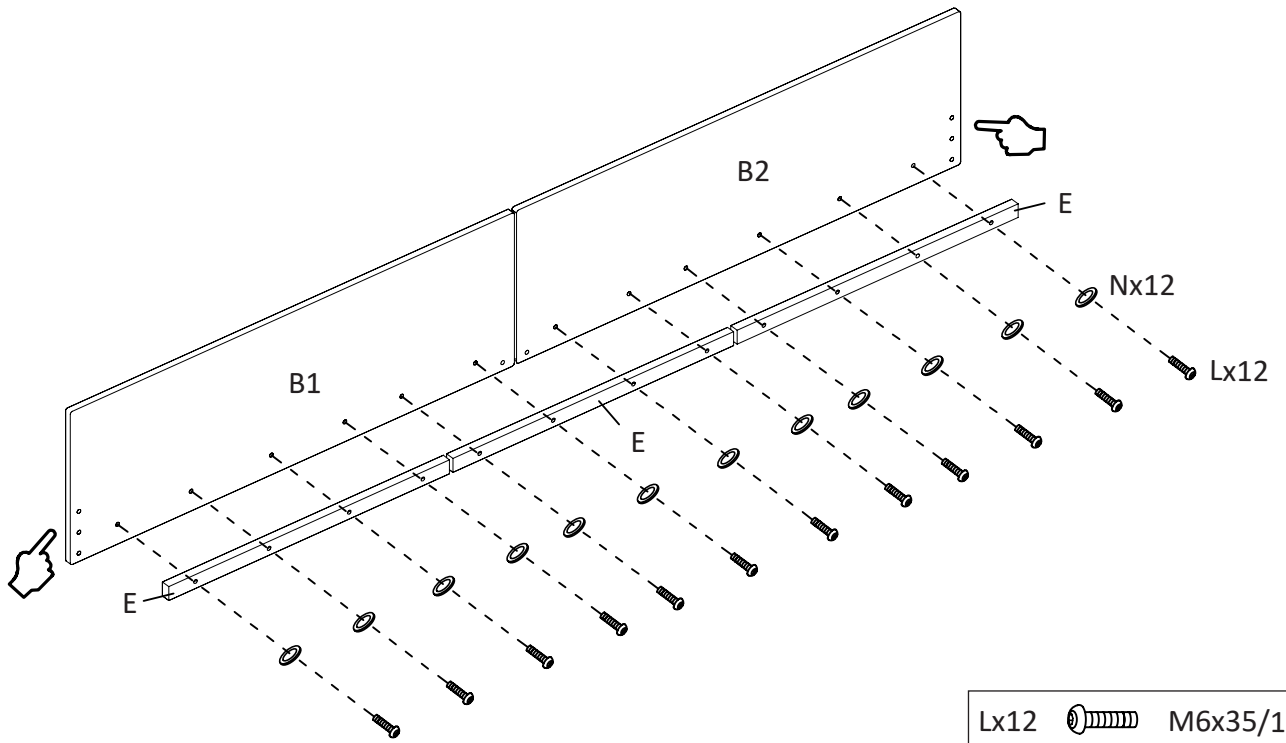


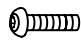

②



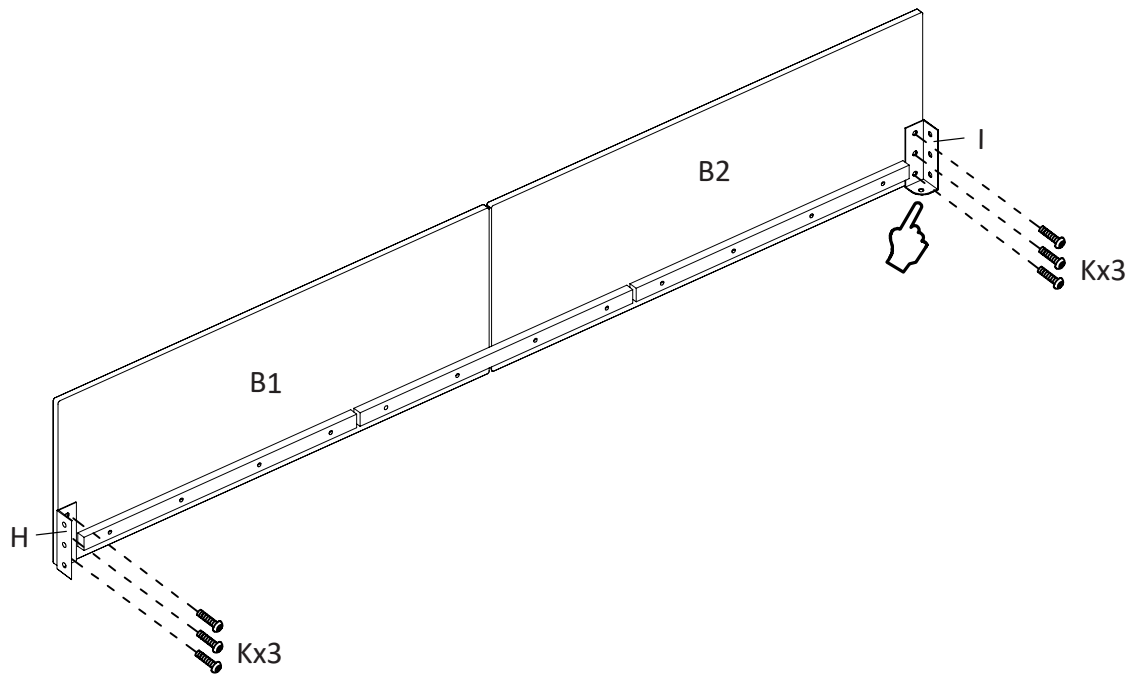
①-1


B1 MUST BE IN LEFT AND B2 MUST BE IN RIGHT,



| | | |
|------|---|-----------|
| Lx12 |  | M6x35/1.4 |
| Nx12 |  | M6 |

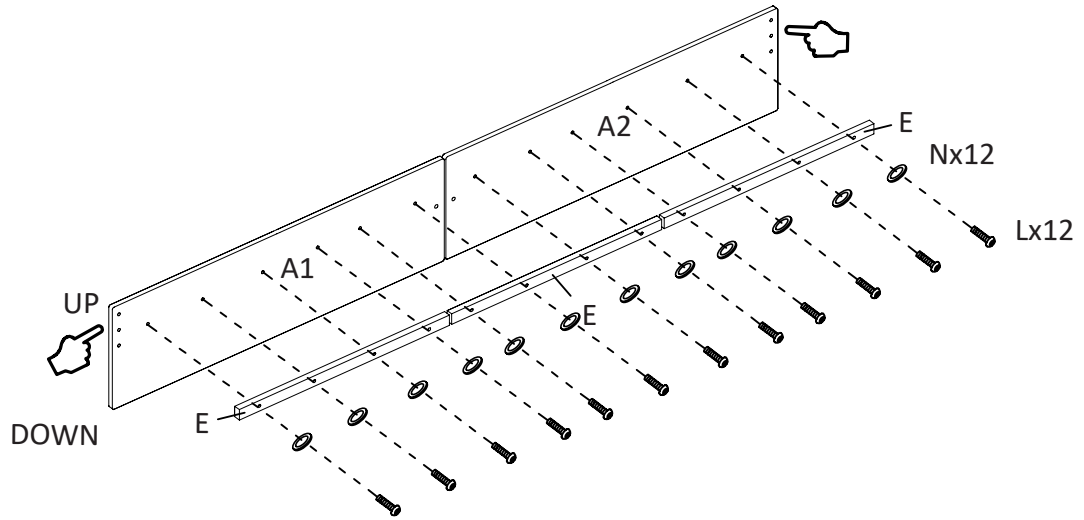
①-2

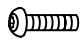



| | | |
|-----|---|-----------|
| Kx6 |  | M6x18/0.7 |
|-----|---|-----------|

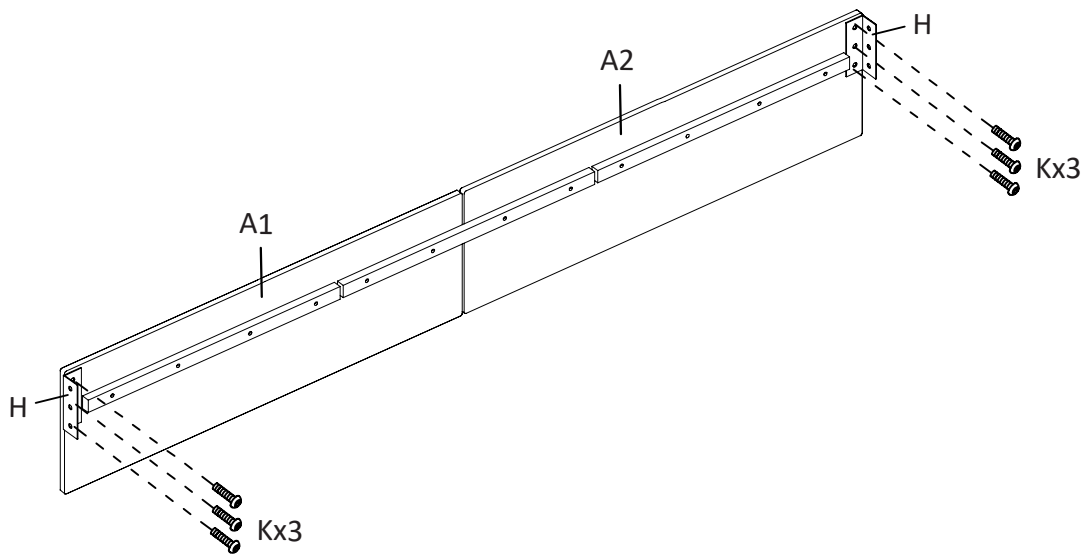
①-3


A1 MUST BE IN LEFT AND A2 MUST BE IN RIGHT



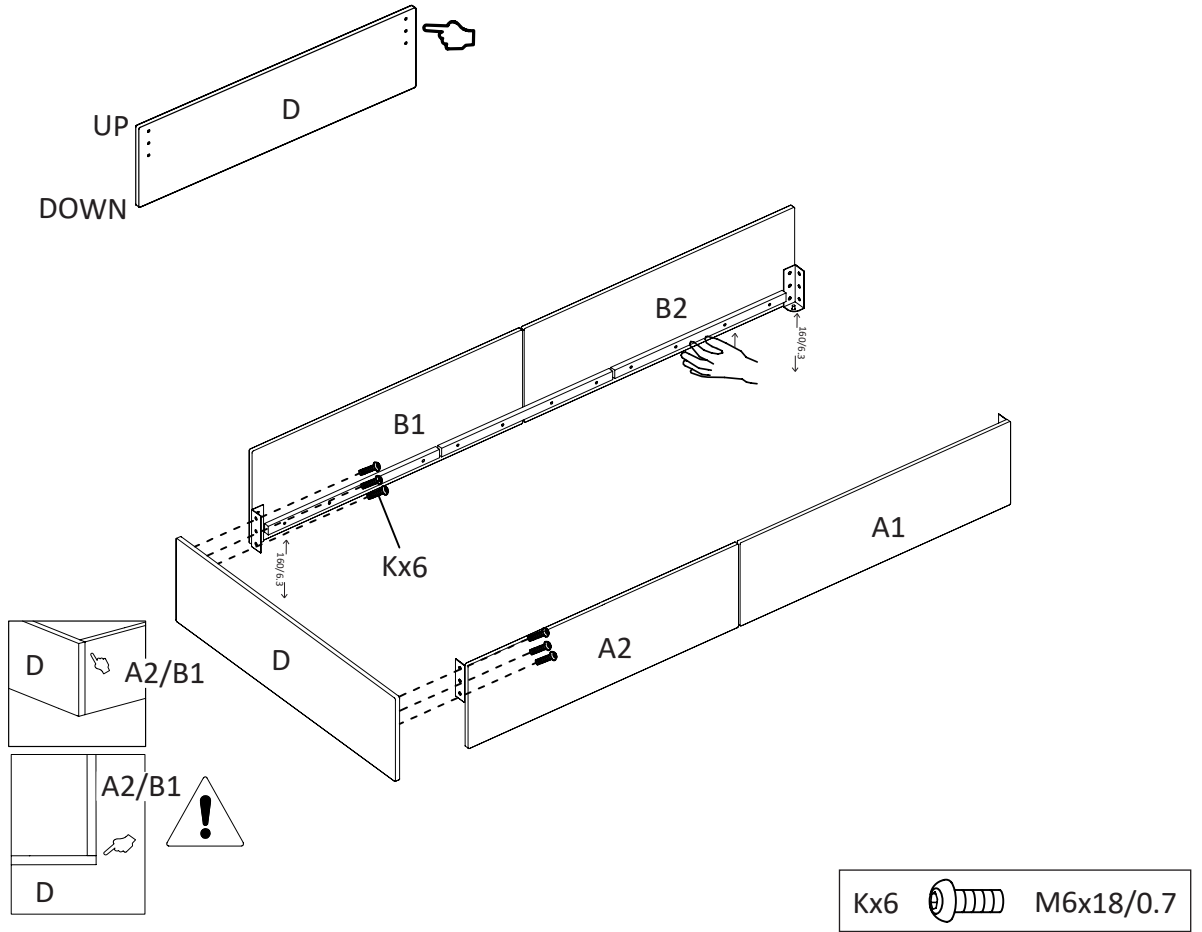
| | | |
|------|---|-----------|
| Lx12 |  | M6x35/1.4 |
| Nx12 |  | M6 |

①-4

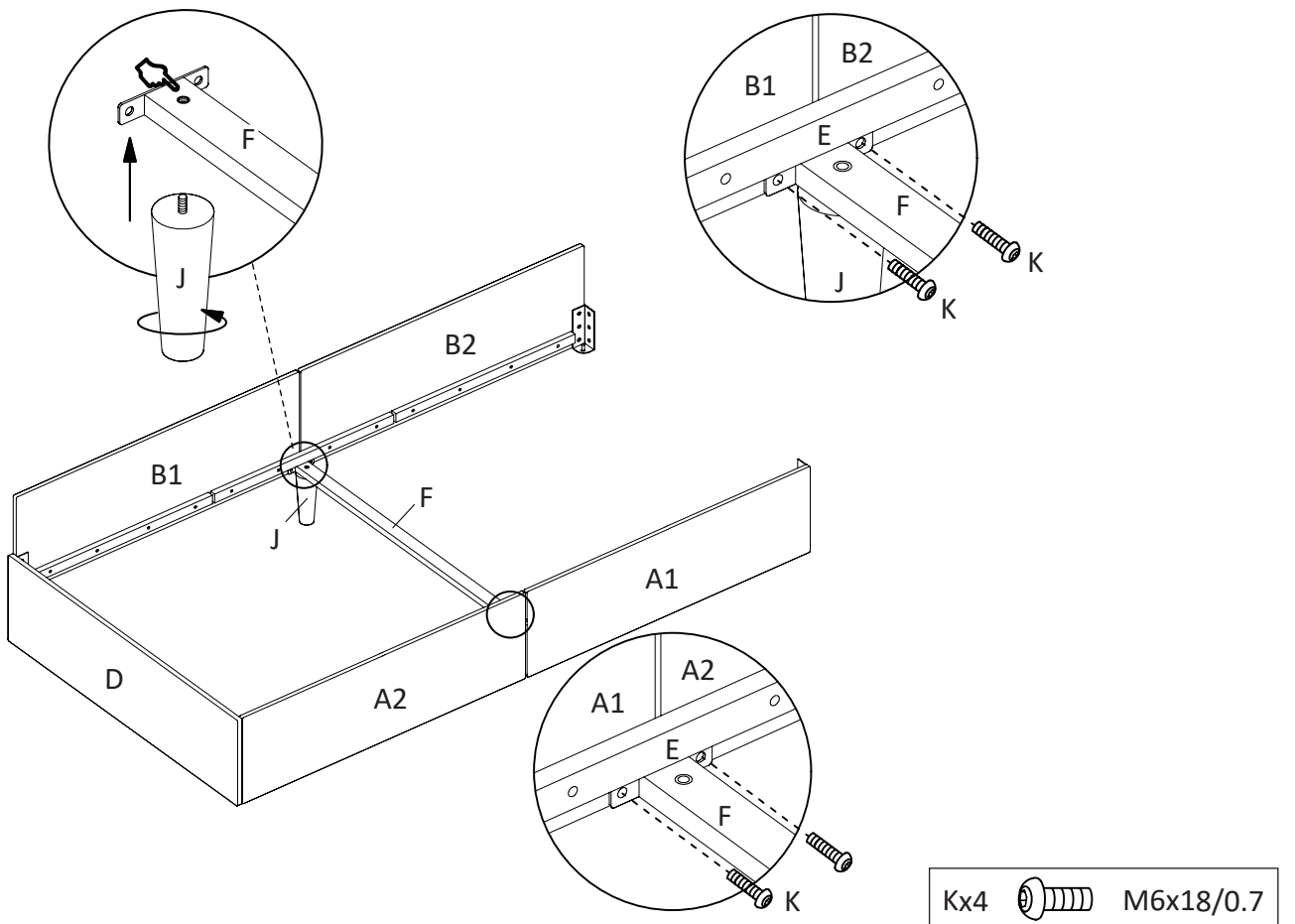


| | | |
|-----|---|-----------|
| Kx6 |  | M6x18/0.7 |
|-----|---|-----------|

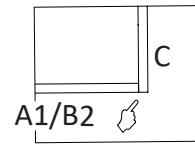
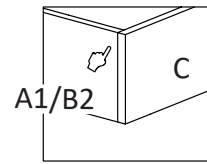
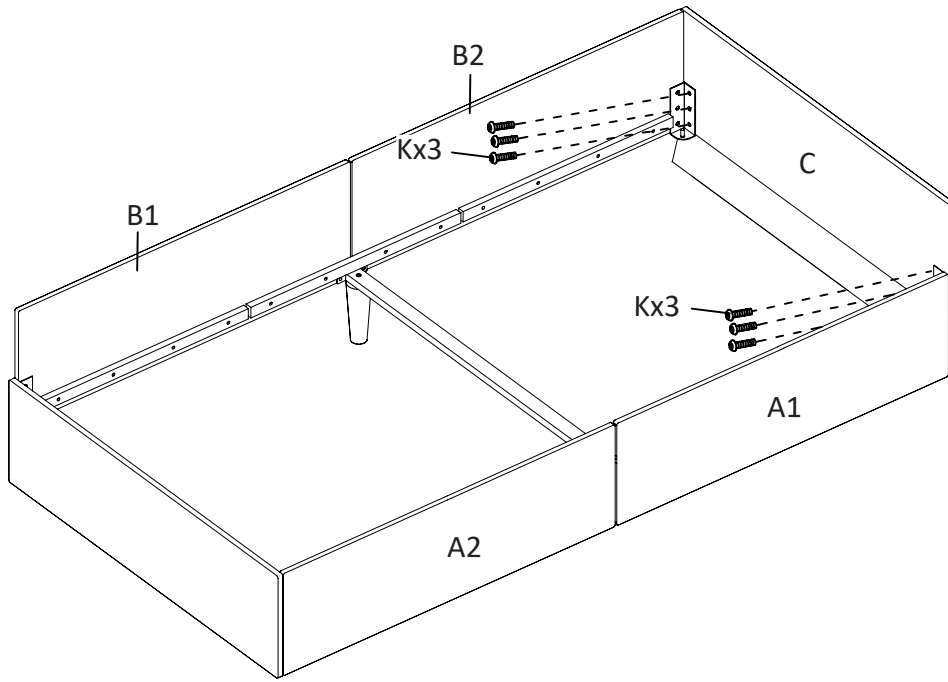
①-5

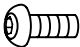


①-6

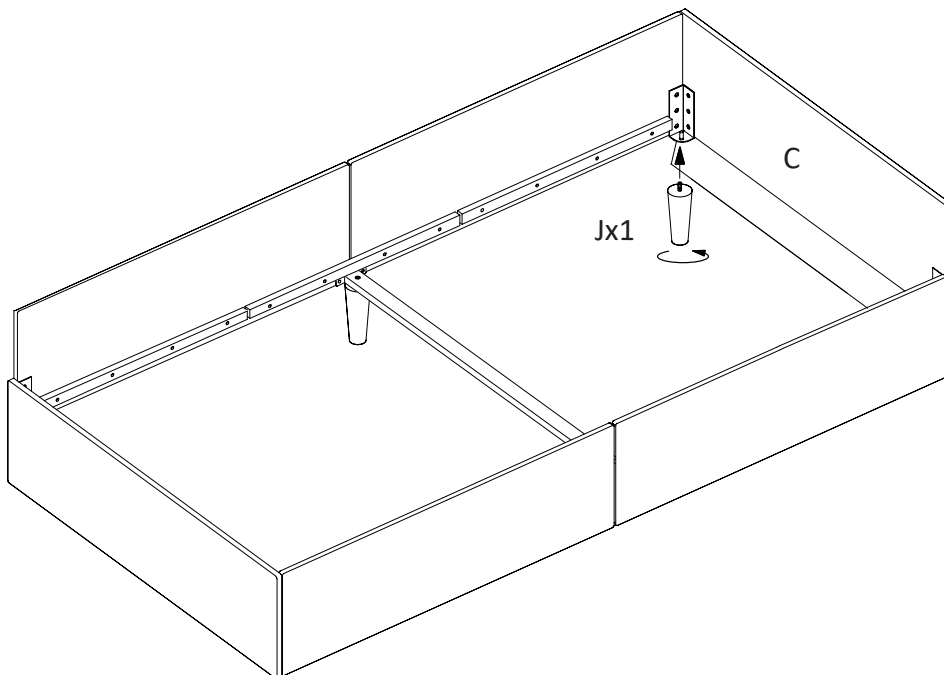


①-7

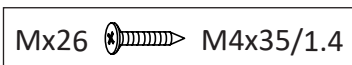
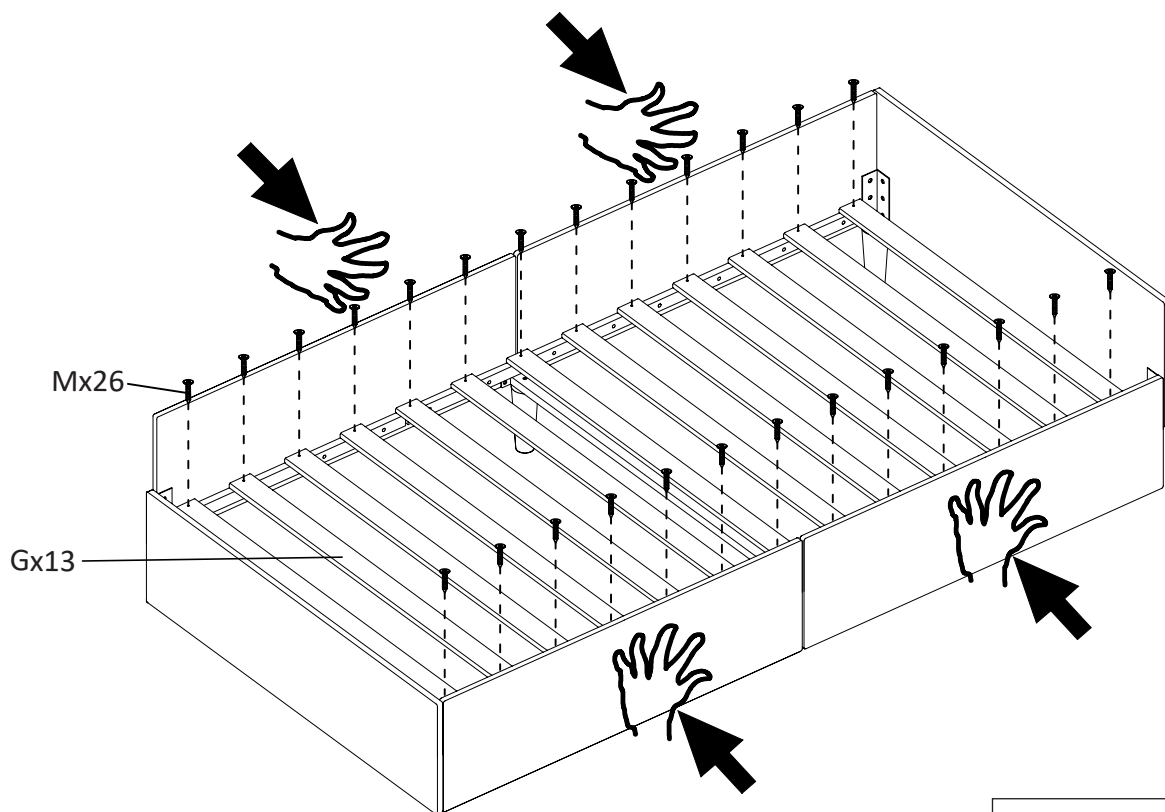


Kx6  M6x18/0.7

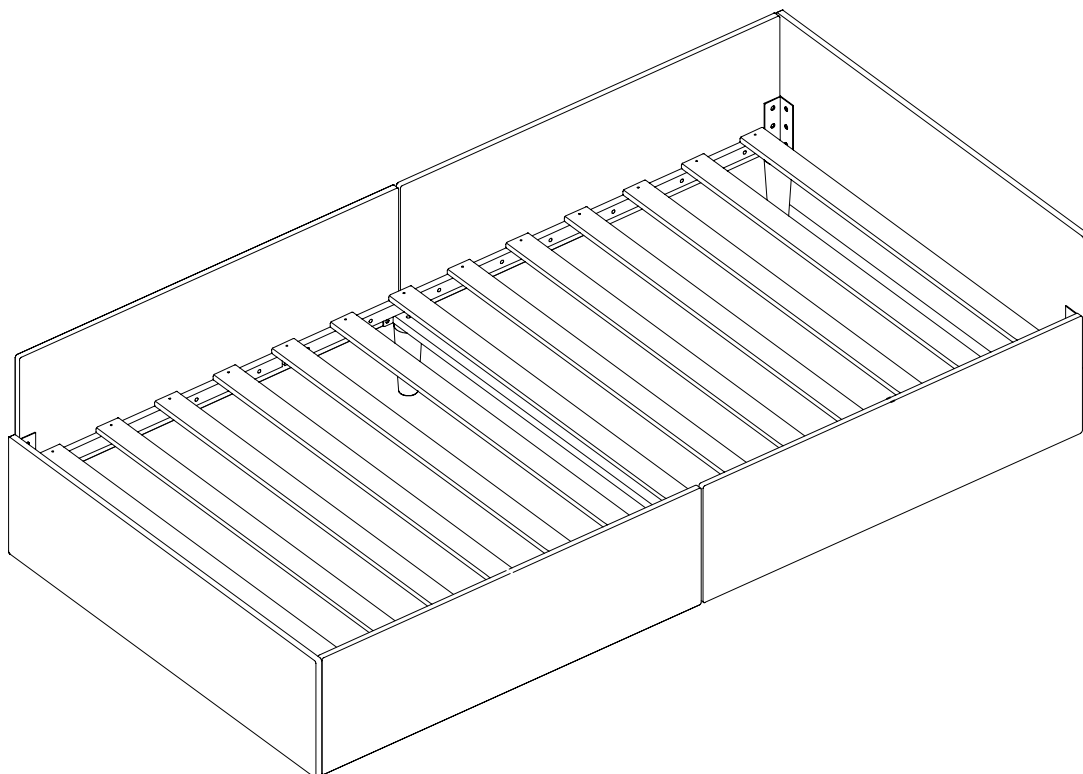
①-8



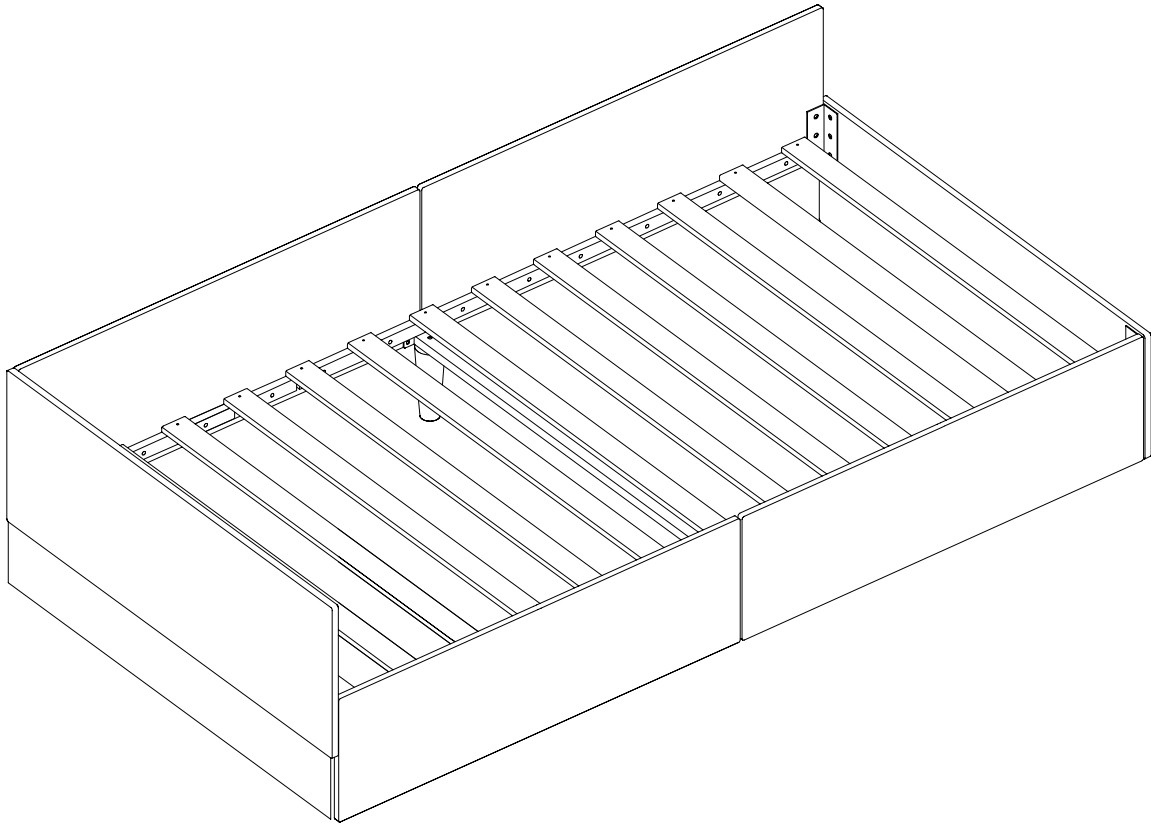
①-9



①-10

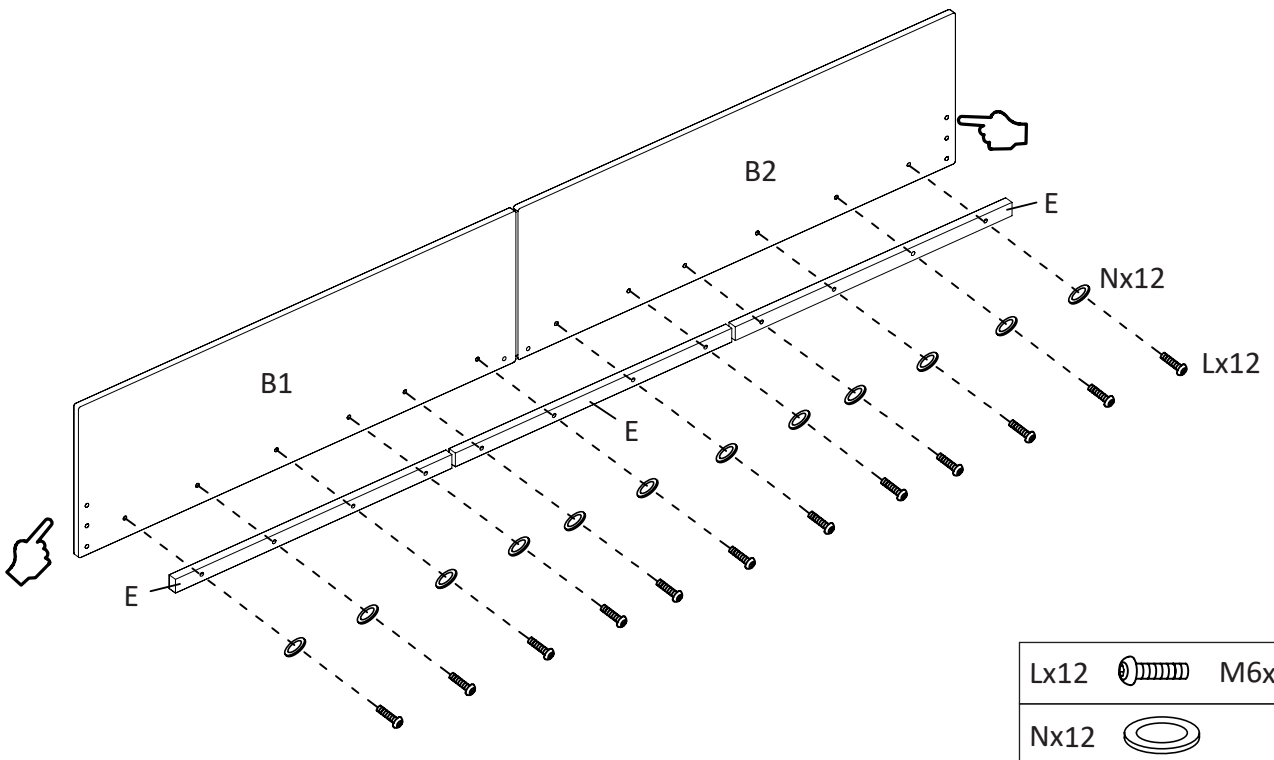


2

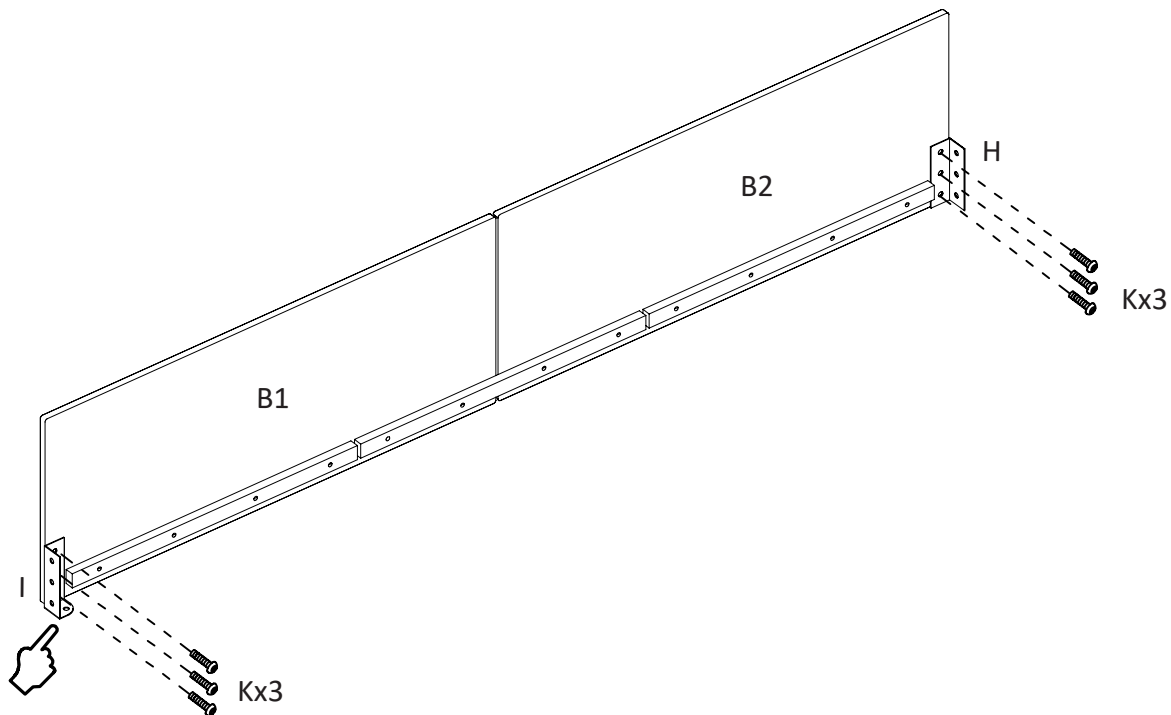


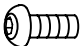
2-1

B1 MUST BE IN LEFT AND B2 MUST BE IN RIGHT,



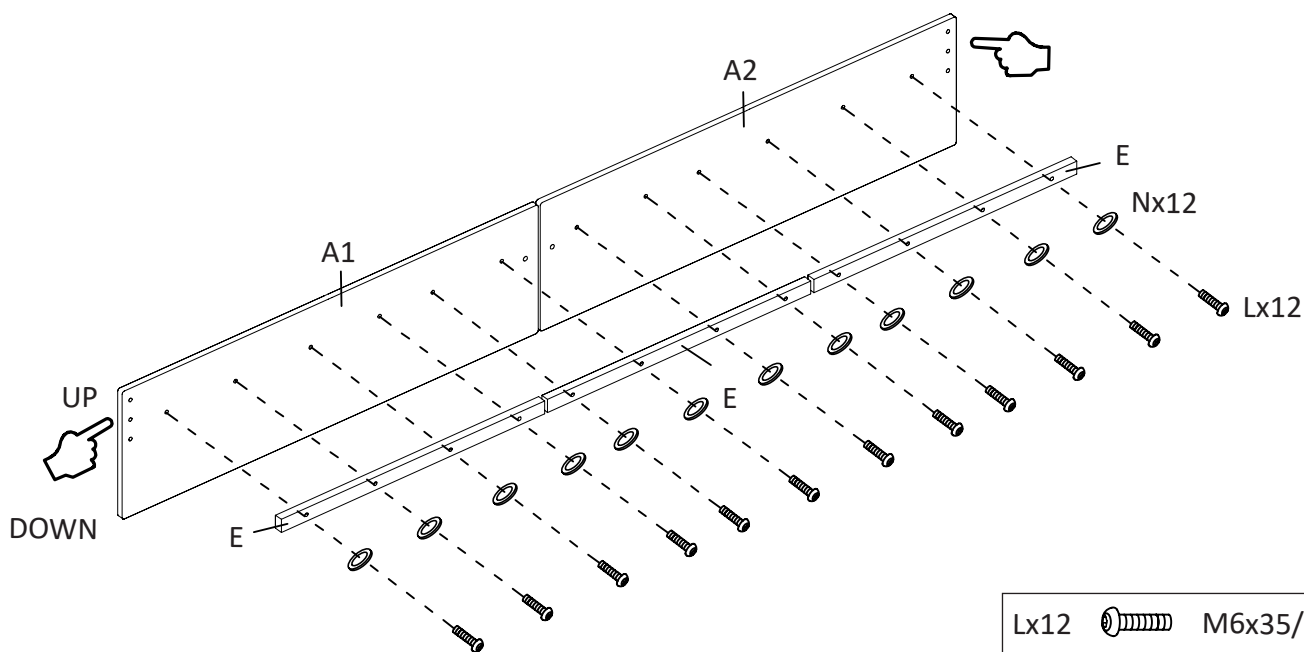
②-2

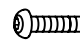



| | | |
|-----|--|-----------|
| Kx6 |  | M6x18/0.7 |
|-----|--|-----------|

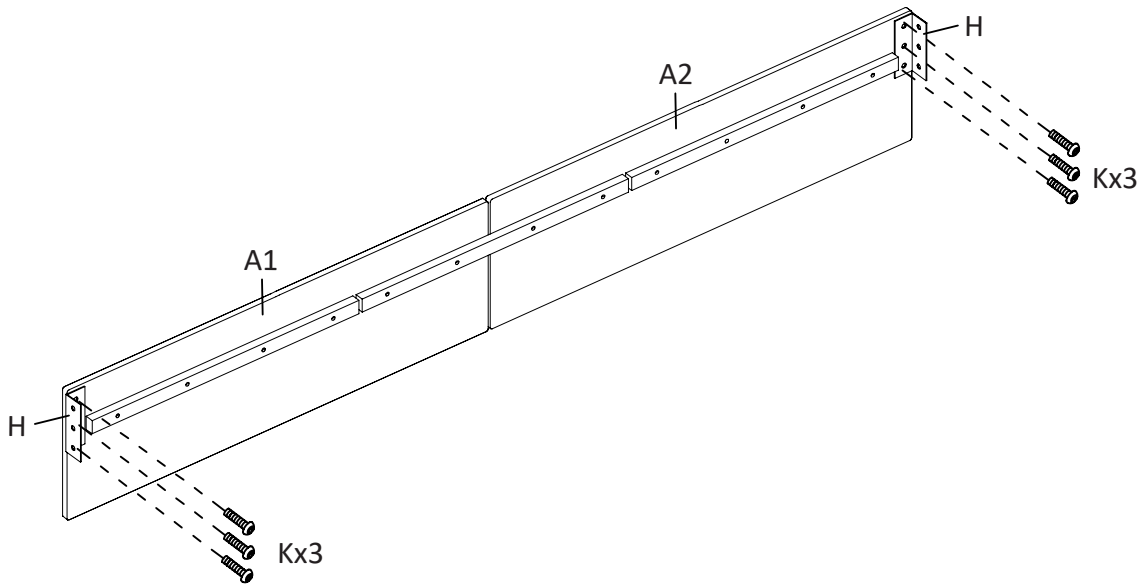
②-3

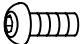
B1 MUST BE IN LEFT AND B2 MUST BE IN RIGHT,



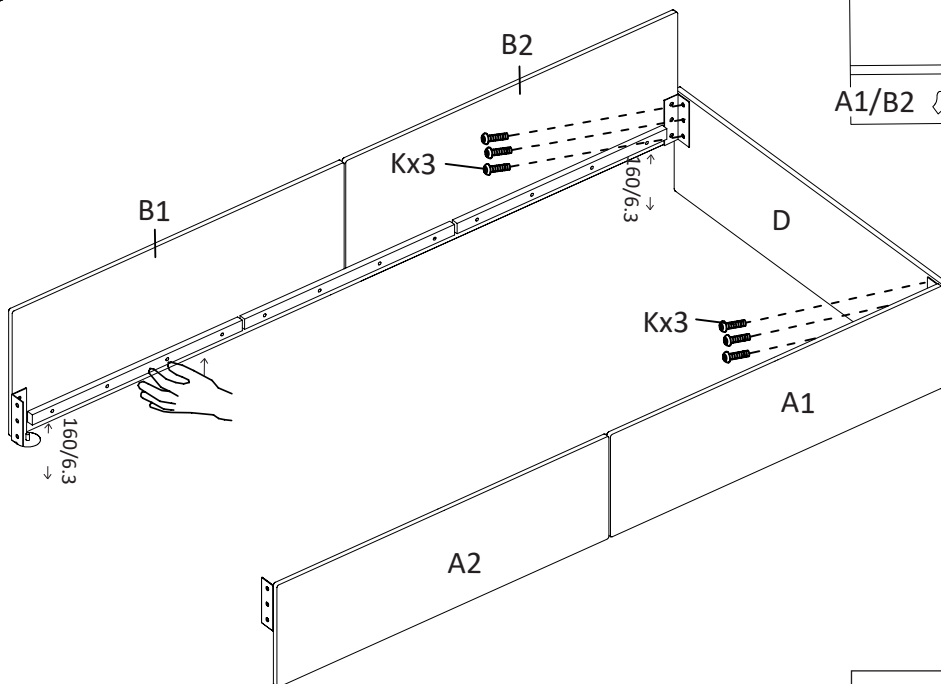
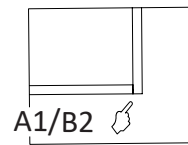
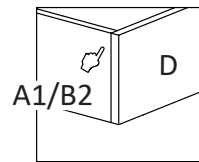
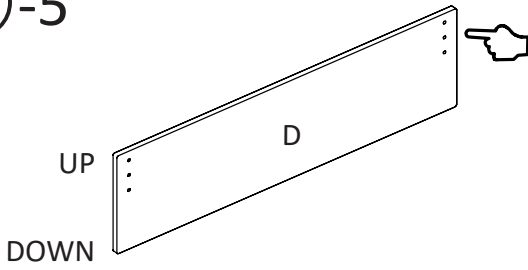
| | | |
|------|---|-----------|
| Lx12 |  | M6x35/1.4 |
| Nx12 |  | M6 |

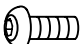
②-4



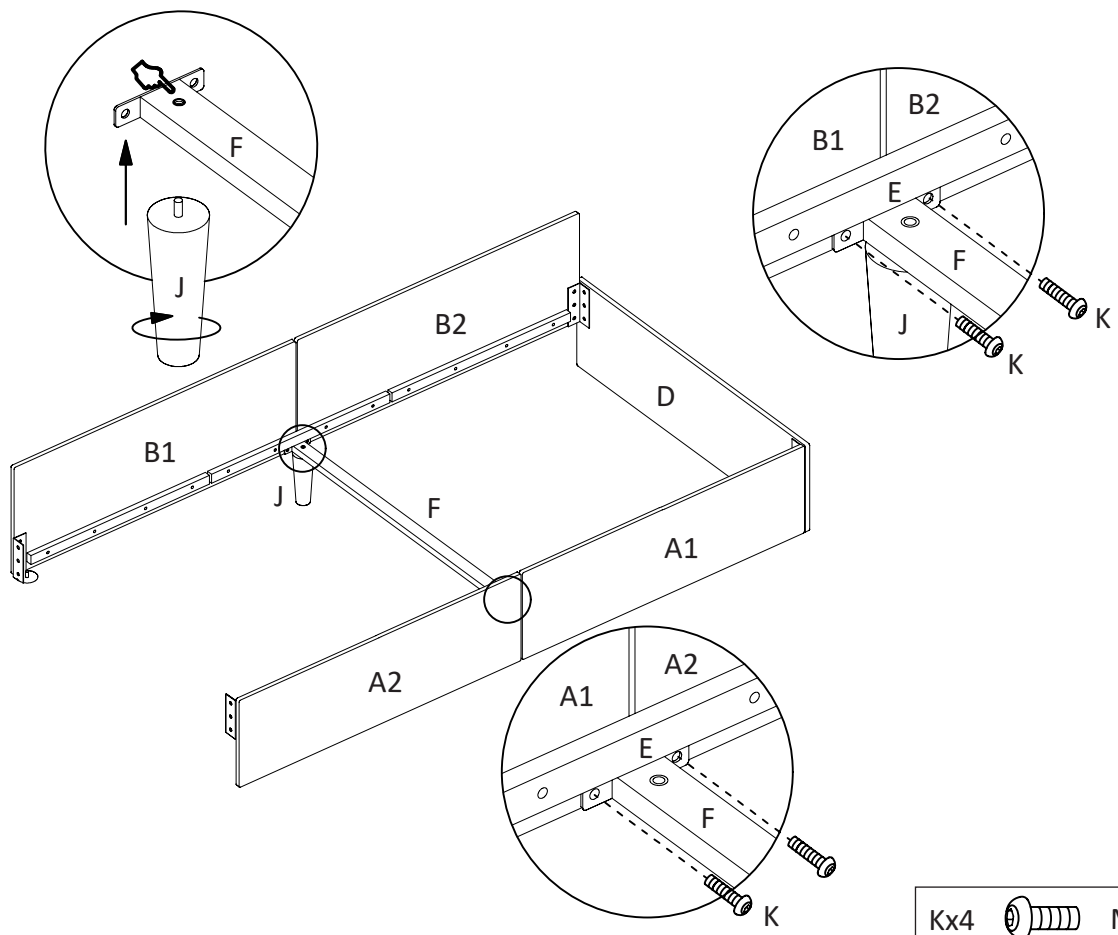
Kx6  M6x18/0.7

②-5

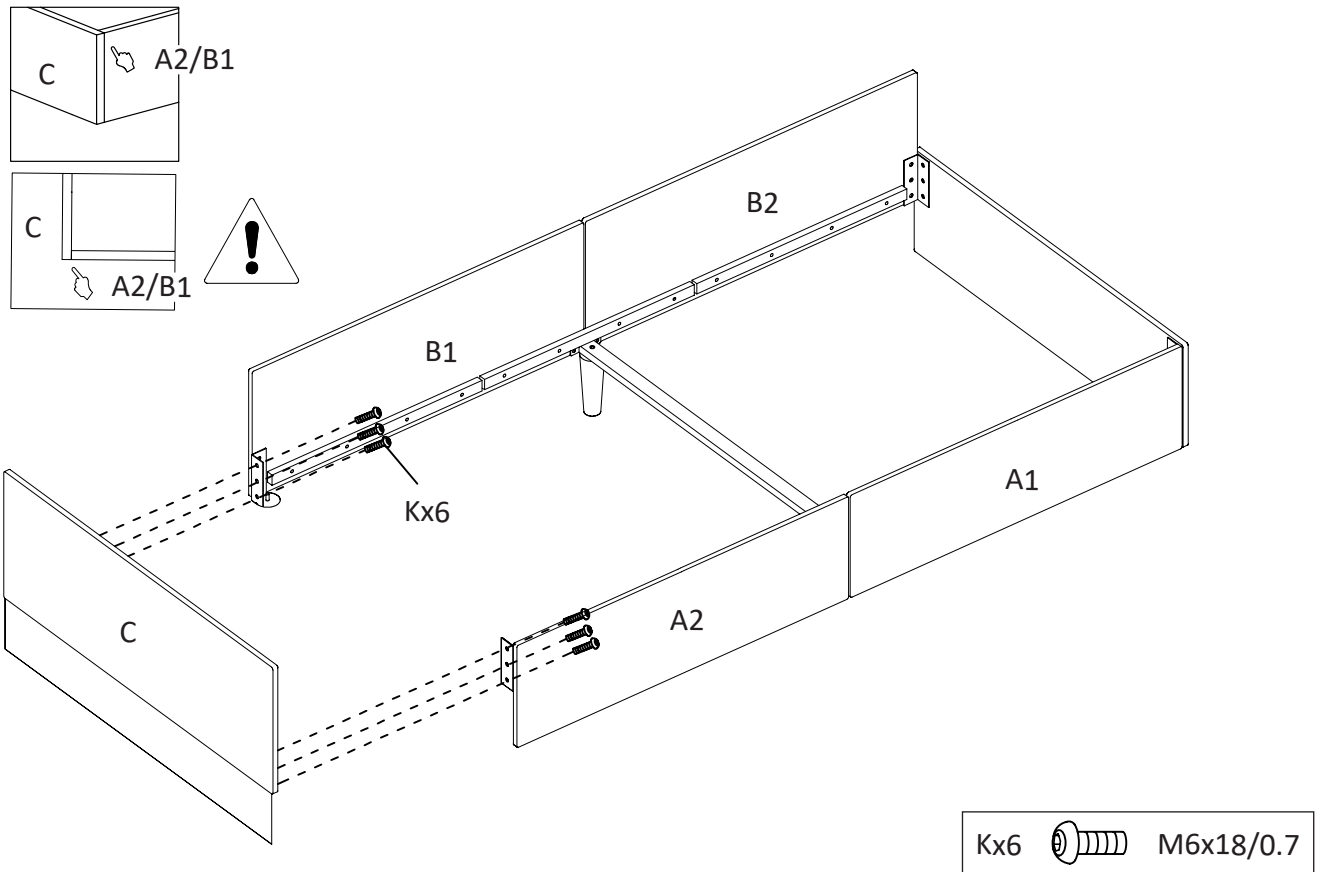


Kx6  M6x18/0.7

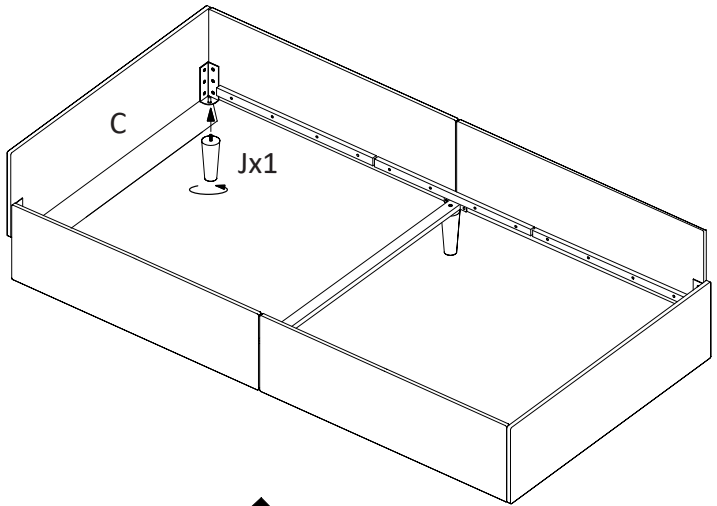
②-6



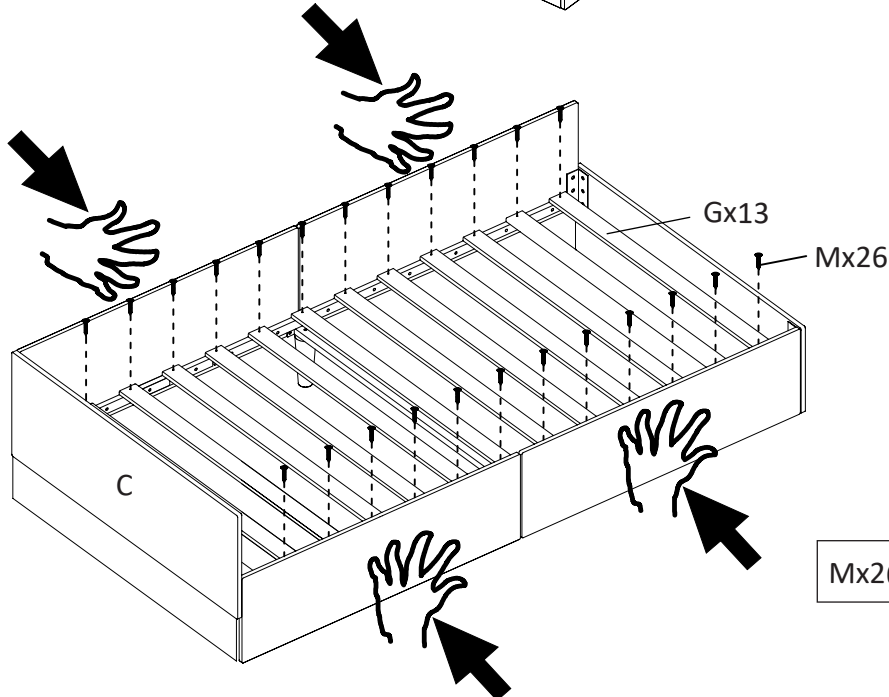
②-7



②-8



②-9



②-10

