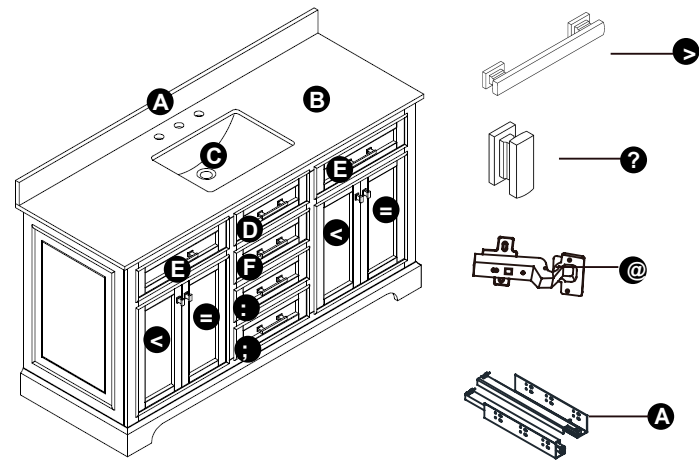


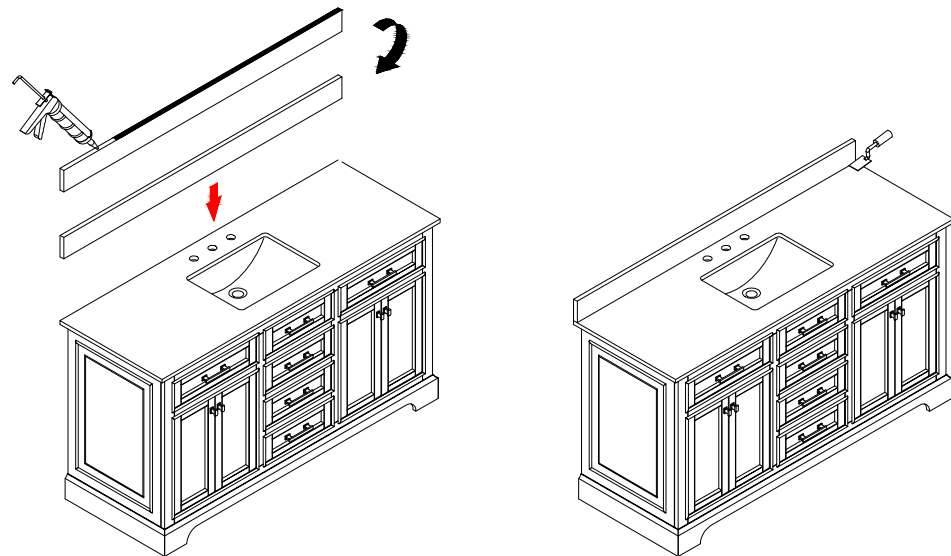
PART LIST



PART #	DESCRIPTION
A	Backsplash
B	Countertop
C	Basin
D	Fixed panel
E	Drawer
F	Double depth drawer
G	Drawer
H	Door (left)
I	Door (right)
J	Drawer Handle
K	Door Handle
L	Hinge
M	Drawer glides

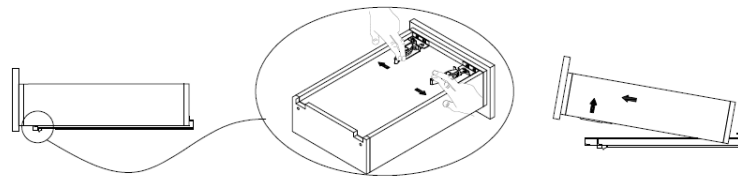
ATTACHING BACKSPLASH

☐ ||| , ā * Á [| • Á ^ Á ~ a ^ á [Á ~]] a ^ á D



REMOVING / INSTALLING DRAWER

REMOVE



INSTALL



COUNTERTOP CARE GUIDE

The countertop is inherently hard and durable, and thus an ideal material for bathroom vanities. With proper care and maintenance, your countertop can last for years. Observance of this Care & Maintenance Guide will help you prolong the life of your countertop.

Disclaimer

Due to the unique manufacturing technique of countertop, no two pieces of countertop are exactly alike. They are prone to variations in color, texture, shade and veining, which are not to be considered as a defect. It is the customer's responsibility to inspect the material before installation. Design Element does not warranty countertop for shade coloration, size/ thickness variation, nor surface finish variation. No claim will be accepted for any reason after the material has been installed.

Sealing

Countertop is porous and should be sealed before use and every 6-12 months, depending on usage to prevent the surface from getting stained or discolored, but will also make the surface more durable against wear and tear.

Avoid Irregular or Excessive Weight on the Stone Surfaces

Countertop is tough and durable, but because of its rigidity, will crack under irregular or excessive weight. Do not apply too much weight to any one spot, as this may cause the countertop to crack. Do not sit or stand on the countertop surface. Also, be observant of what wall decorations hang over the countertop. If the hanging decorations are heavy and fall onto the countertop, the countertop may crack under the stress.

Treatment for stains and scratches

- Remove oil-based stains with acetone, mineral spirits, or ammonia.
- Organic stains like coffee, tea, or juice can be removed with hydrogen peroxide, mixed with a few drops of ammonia.
- Water spots or rings are the most common problem with bath vanities, and are caused by minerals left behind when water evaporates. These can be removed by buffing the spots gently with 00 gauge steel wool.
- Likewise, small nicks and scratches can often be removed the same way.
- Larger scratches, chips, and resilient stains may require professional help. Please contact your local stonemason for details.

DO'S

- ✓ Clean stone surfaces with warm water, a mild liquid soap like dishwashing detergent, and a non-abrasive cloth.
- ✓ Thoroughly rinse and dry the surface after washing.
- ✓ Blot up spills immediately.

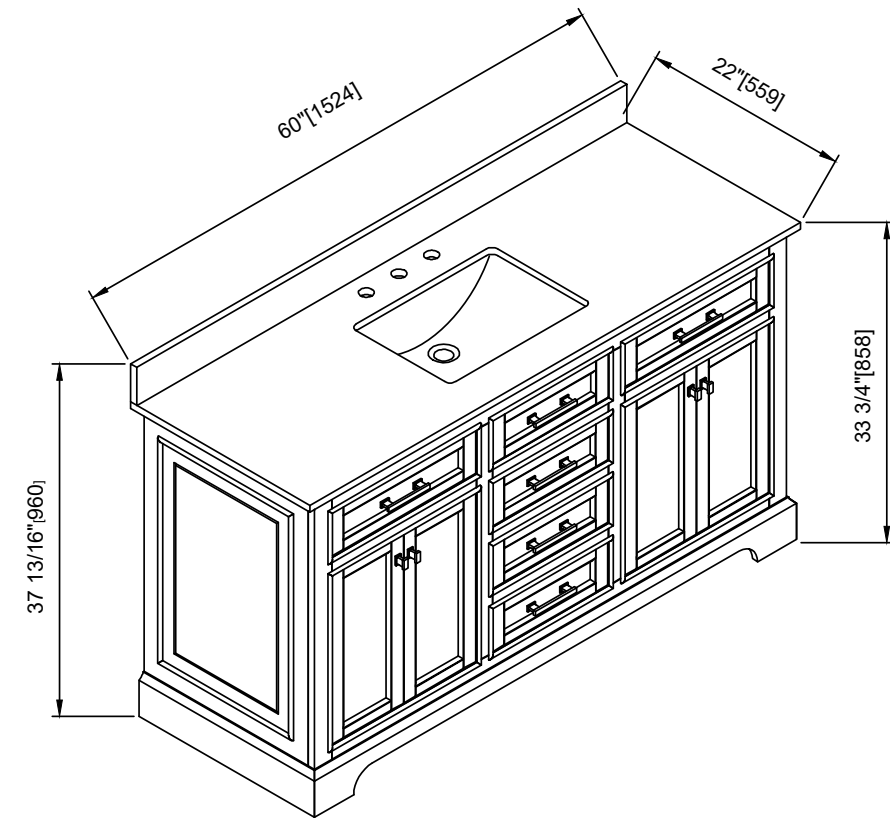
DON'TS

- ✗ Do not use products that contain lemon, vinegar or other acid content that may etch the surface.
- ✗ Do not use abrasive cleaners such as dry cleaners or soft cleansers.
- ✗ Do not use cleaners that contain acids such as bathroom cleaners, grout cleaners, or tile cleaners.
- ✗ Do not apply acetone or any type of paint thinner.
- ✗ Frequent or over-use of soap scum remover could result in dulling the surface of the stone.

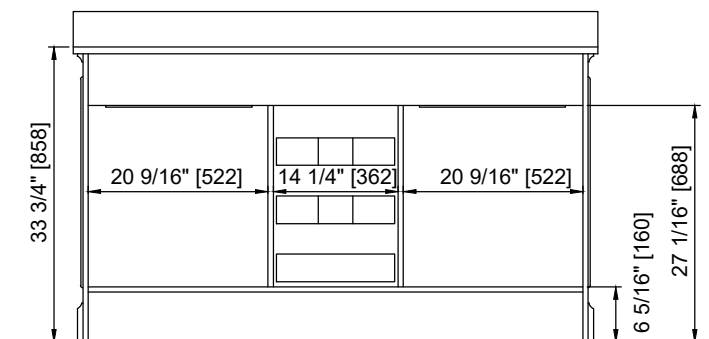
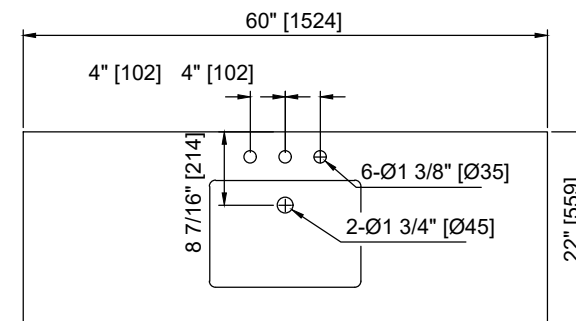
Countertop Care Guide

Countertop needs to be cleaned regularly to maintain its sheen and vitality.

BATHROOM VANITY OWNER'S MANUAL



DIMENSIONS



- Carefully read the instructions, before starting the installation.
- This vanity should be installed by an experienced plumber.
- Drain assembly is not supplied.