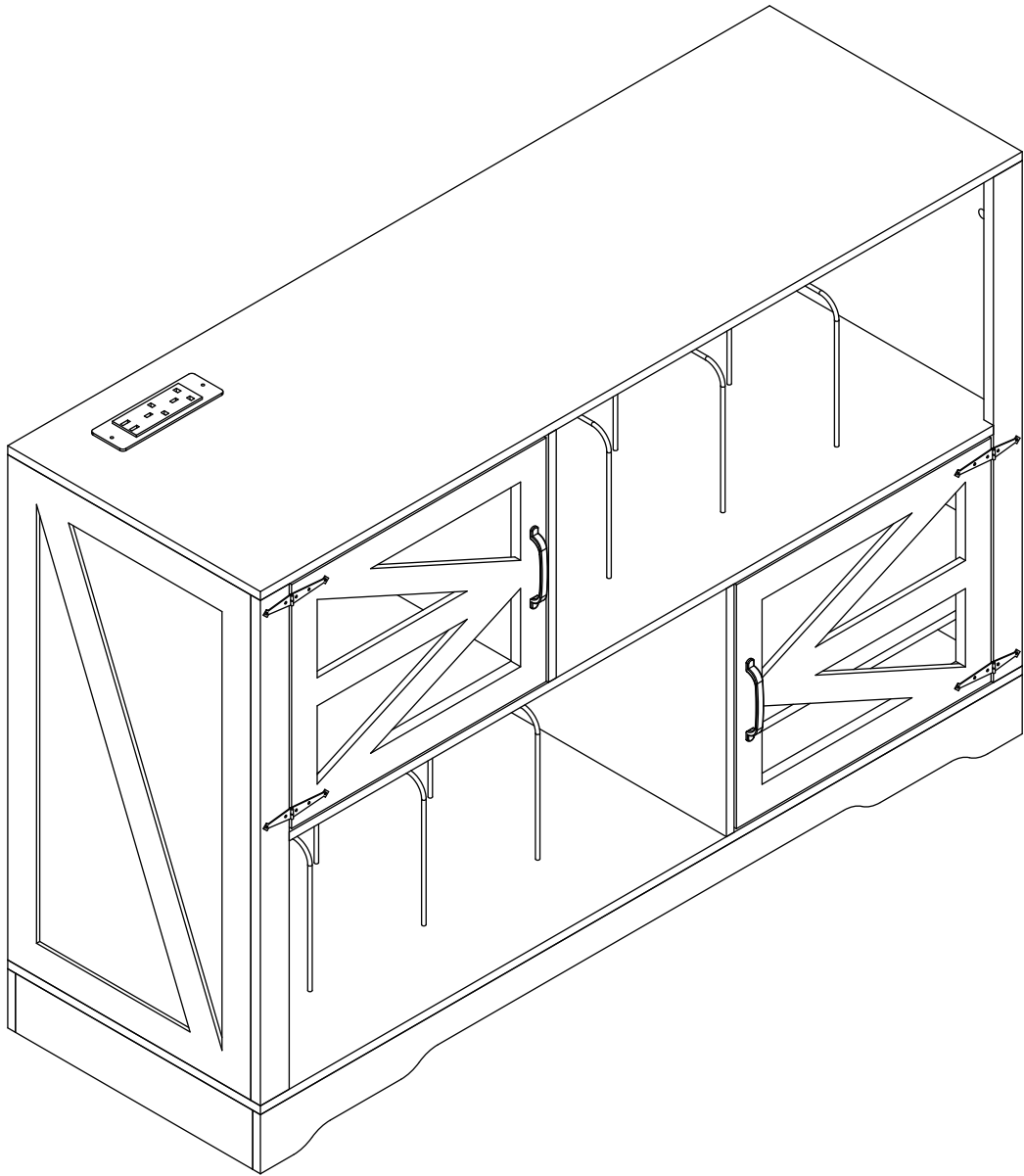


# Installation Manual



**Hi! Dear buyer, Thank you for choosing our products. Please carefully follow the assembly instructions below to ensure proper assembly and to avoid any potential issues.**

**Recommendations Before Beginning Assembly:**

1. Read instructions, cover to cover
2. Check that you have all the necessary tools listed in the instruction manual.
3. Assemble on a clean non-marring surface.
4. Have at least 2-3 adults on hand for assembly.
5. Save all packaging until finished.
6. Keep small parts and tools away from children.

**Assembly Notice:**

- Lay out all the parts and hardware in an organized manner.
- Identify each part and match them with the corresponding labels in the manual.
- Assemble the product in the sequence specified to ensure stability.
- Do not overtighten screws during assembly as it may damage the parts or strip the threads.
- Double-check each step before proceeding to the next one.
- When you have completed assembly, we suggest you have more than one person to assist you with lifting and placing the product.

**\*\* What should you do when you encounter problems? Don't Worry—We'll Take Care of Everything!**

If you encounter any difficulties (e.g., missing parts, damaged parts, unsuccessful assembly, etc.) during assembly, do not hesitate to contact the seller directly. The after-sales team will get back to you within 24 hours.

- If the product is damaged or missing any components, we are happy to provide replacement parts or a new product at no cost to you.
- To assist us in resolving your issue quickly, please contact our support team and provide clear photos of the damaged item or missing parts. This will help us identify the problem accurately and ensure a prompt solution. √√

**\*\* Return Policy**

IMPORTANT NOTICE: Dear, If you encounter any issues with the product (quality-related or otherwise) that may require a refund or exchange, there is no need to initiate a return immediately. Please contact the seller directly, and in most cases, we can resolve the issue without requiring you to return the item. Thank you!

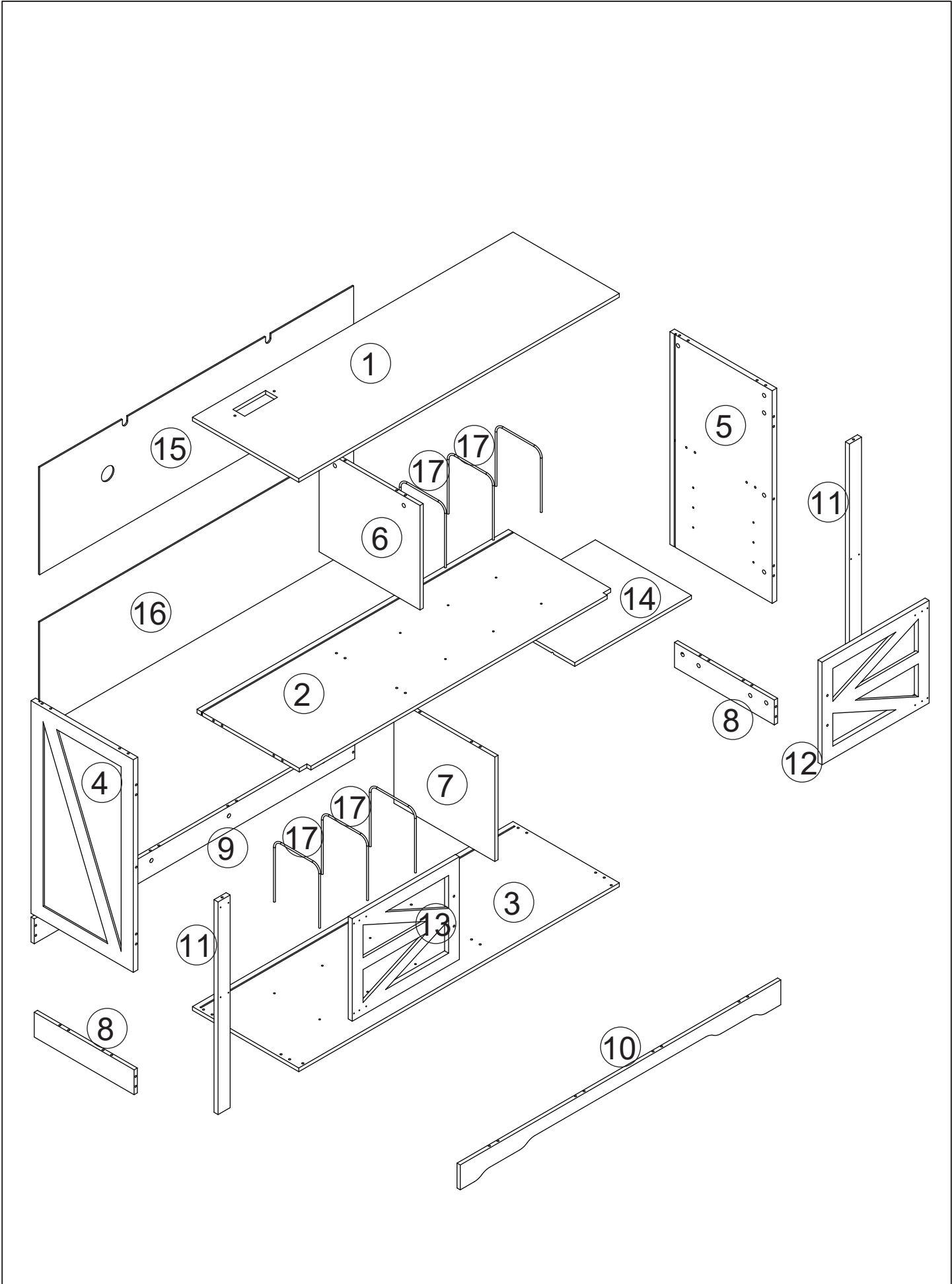
We hope these instructions help you successfully assemble the product. If you have any further questions or concerns, please feel free to contact the seller for assistance. Enjoy your new furniture!

**WARNING**

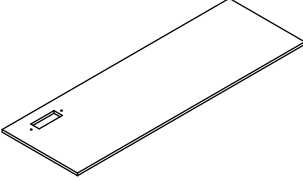
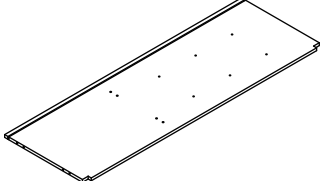
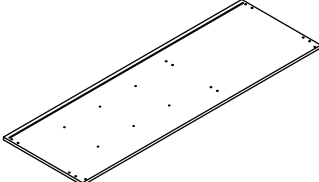
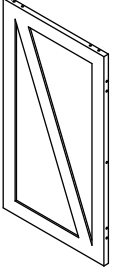
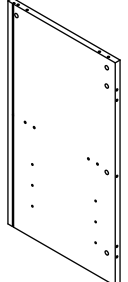
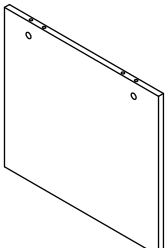
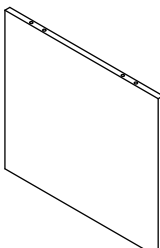
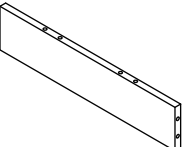
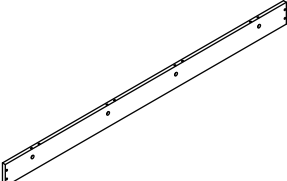
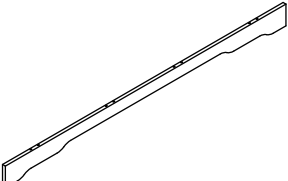

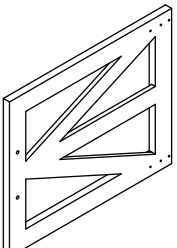
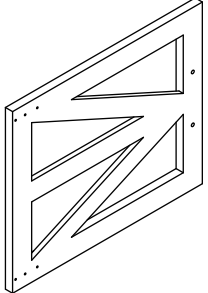
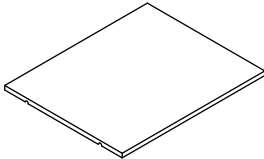
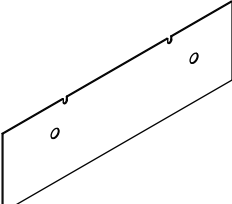
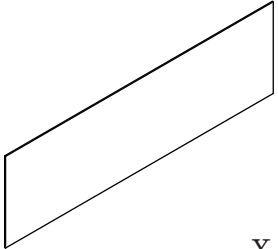
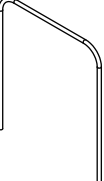
Improper assembly or use may result in serious or fatal injury.

1. Keep all parts away from babies and children during the assembly process.
2. Make sure the wall area to be drilled is free of hidden electrical wires, water pipes, and gas lines when mounting this product to the wall.
3. The use of anti-tip devices can reduce the risk of tipping, but cannot eliminate it completely.
4. Do not place heavy objects on this product unless it is specifically designed to support them.
5. Place the heaviest items on the lowest shelf. Never allow children to climb on or hang from drawers, doors, or shelves.

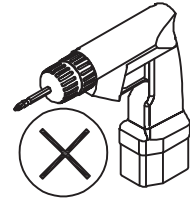
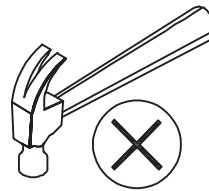
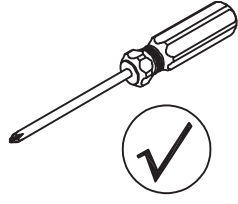
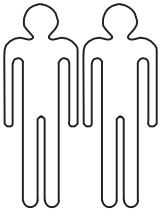
# Parts List

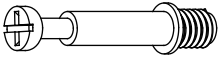
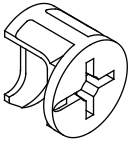
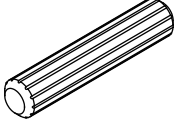
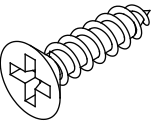
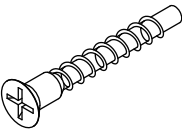
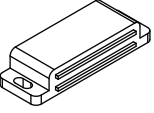
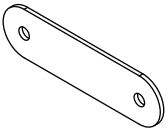
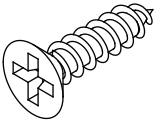
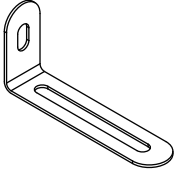
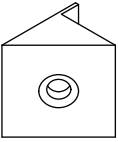
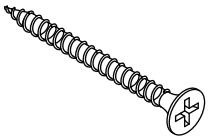
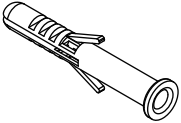
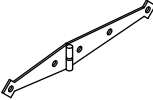


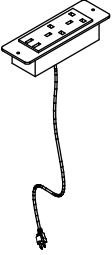
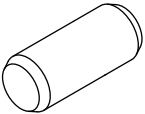
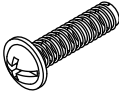
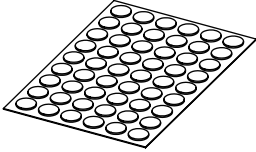


# Parts List

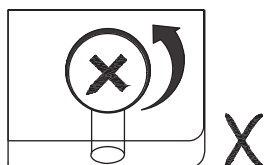
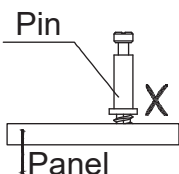
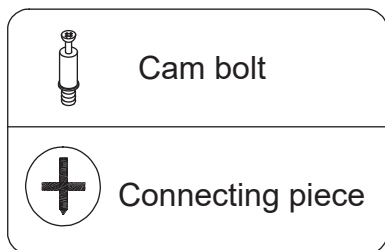
<p>①</p>  <p>x1</p>	<p>②</p>  <p>x1</p>	<p>③</p>  <p>x1</p>	<p>④</p>  <p>x1</p>
<p>⑤</p>  <p>x1</p>	<p>⑥</p>  <p>x1</p>	<p>⑦</p>  <p>x1</p>	<p>⑧</p>  <p>x2</p>
<p>⑨</p>  <p>x1</p>	<p>⑩</p>  <p>x1</p>	<p>⑪</p>  <p>x2</p>	<p>⑫</p>  <p>x1</p>
<p>⑬</p>  <p>x1</p>	<p>⑭</p>  <p>x1</p>	<p>⑮</p>  <p>x1</p>	<p>⑯</p>  <p>x1</p>
<p>⑰</p>  <p>x6</p>			

# Hardware List

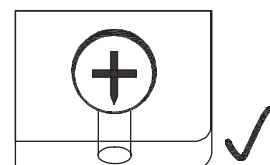


<p>A</p>  <p>Ø6x40      34PCS</p>	<p>B</p>  <p>Ø12x10      34PCS</p>	<p>C</p>  <p>Ø6x40      44PCS</p>	<p>D</p>  <p>M3.5x14      42PCS</p>	<p>E</p>  <p>M5x40      8PCS</p>
<p>F</p>  <p>2PCS</p>	<p>G</p>  <p>2PCS</p>	<p>H</p>  <p>M3.5x12      2PCS</p>	<p>I</p>  <p>2PCS</p>	<p>J</p>  <p>12PCS</p>
<p>K</p>  <p>M4x40      2PCS</p>	<p>L</p>  <p>6x30      2PCS</p>	<p>M</p>  <p>4PCS</p>	<p>N</p>  <p>M4x18      4PCS</p>	<p>O</p>  <p>2PCS</p>
<p>P</p>  <p>1PC</p>	<p>Q</p>  <p>M5x20      4PCS</p>	<p>R</p>  <p>M4x20      12PCS</p>	<p>S</p>  <p>Ø21      1PC</p>	

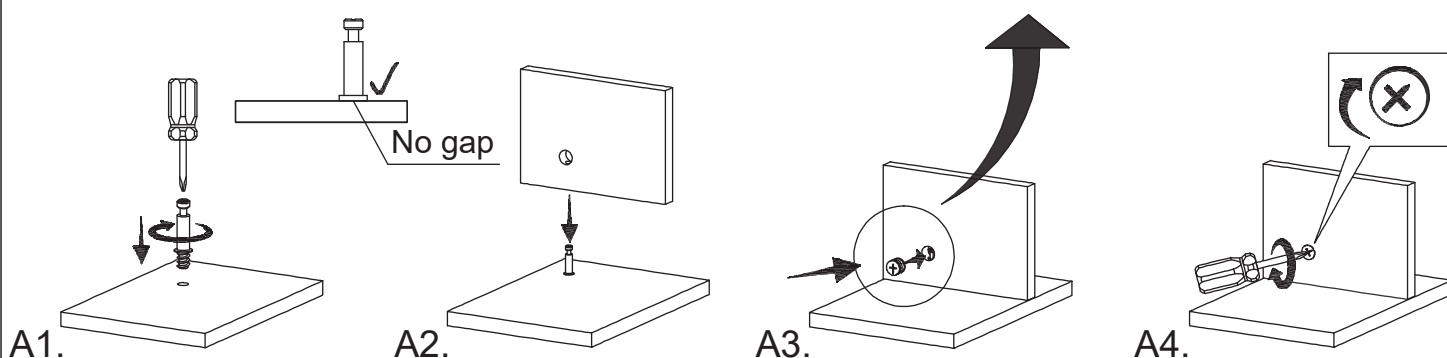
## CAM BOLT INSTALLATION AS BELOW:



Rotate connecting piece if found in the position illustrated above.



Correct orientation to receive bolts.



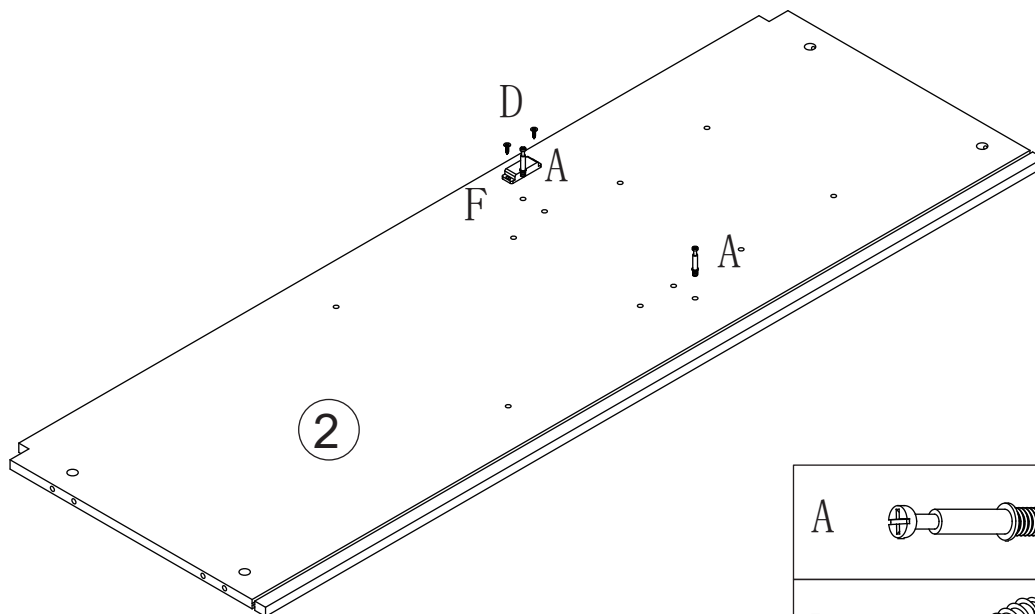
**EN**

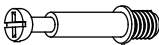
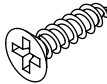

After opening the packaging, please lay the foam in the packaging flat on the ground to place the boards, to prevent them from being damaged by collision.

**DE**

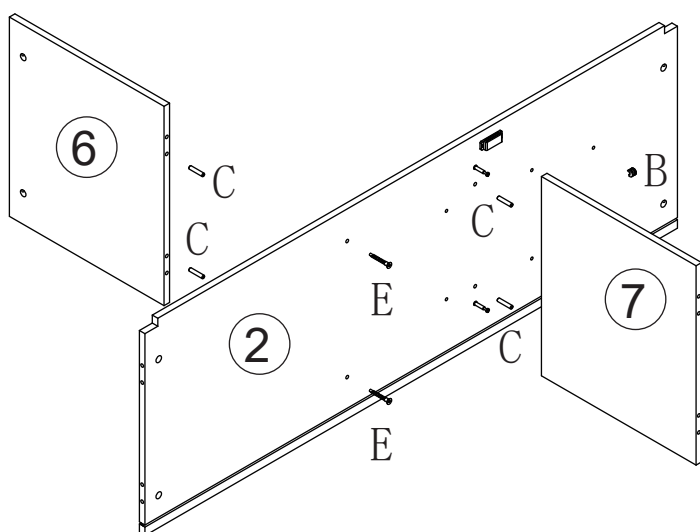
Nachdem Sie die Verpackung geöffnet haben, legen Sie bitte den Schaumstoff auf den Boden, um die Platten vor Beschädigungen zu schützen.


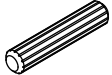
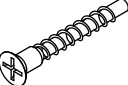
1



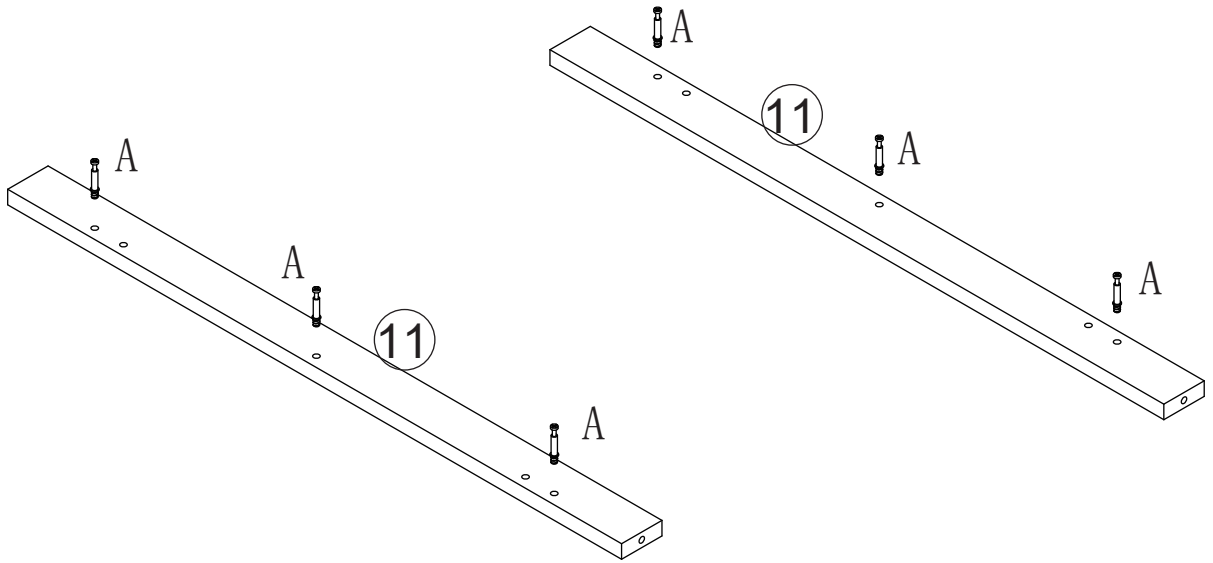
A		x2
D		x2
F		x1

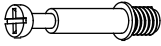
2



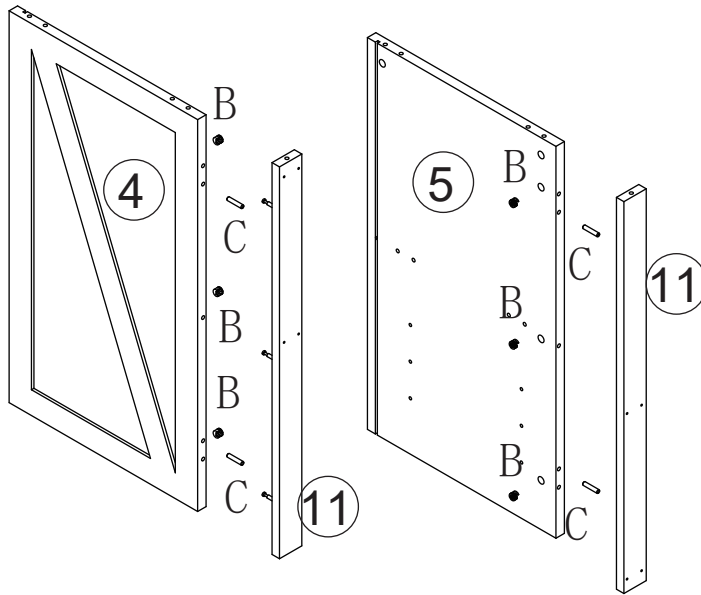
B		x2
C		x4
E		x2


3



A		x6
---	---	----

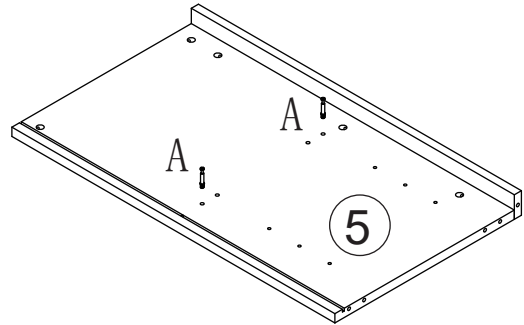
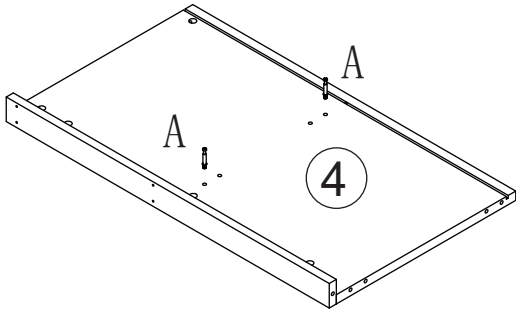
4

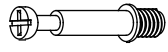


B		x6
---	---	----

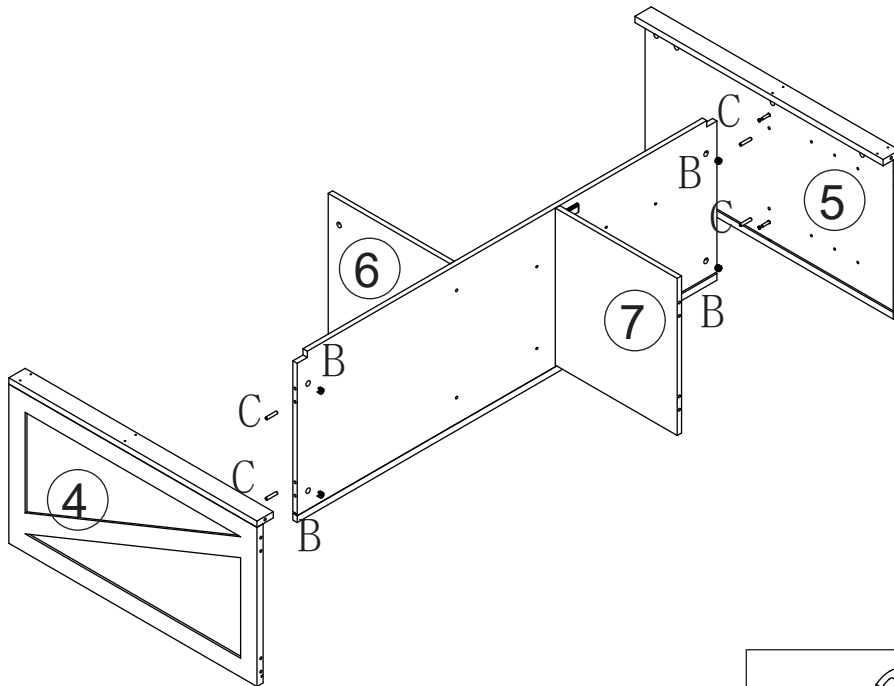
C		x4
---	---	----

5



A  x4

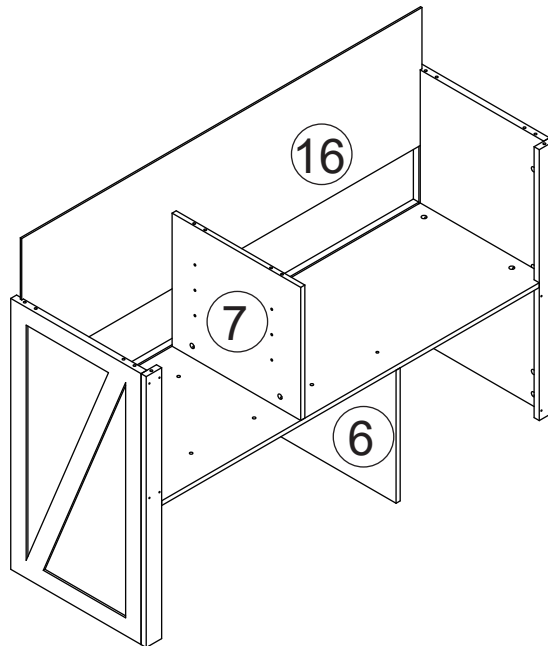
6



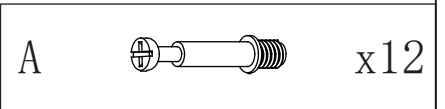
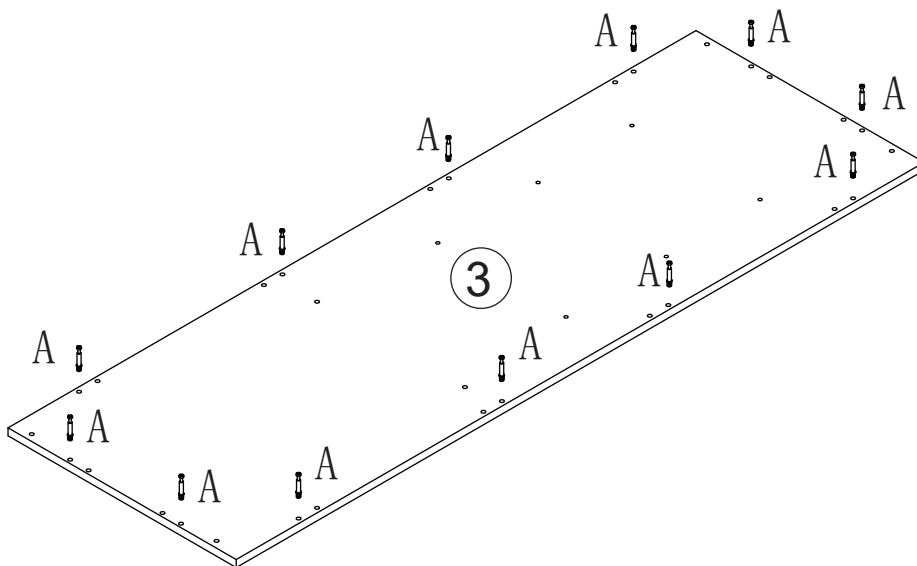
B  x4

C  x4

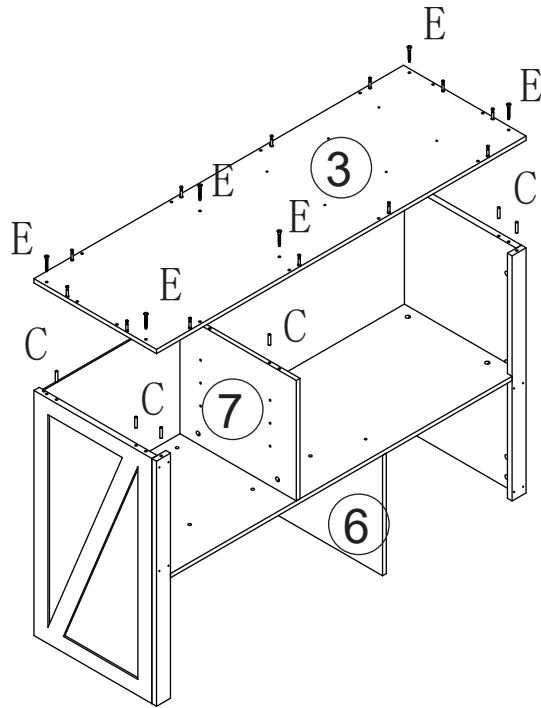
7

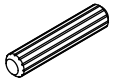
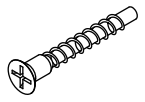


8

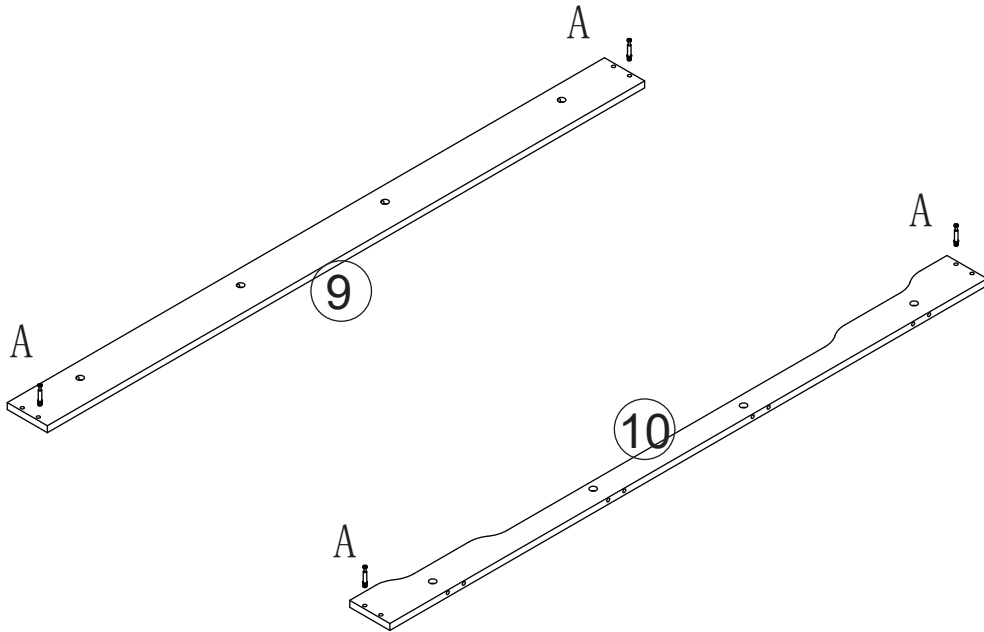


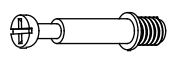
9



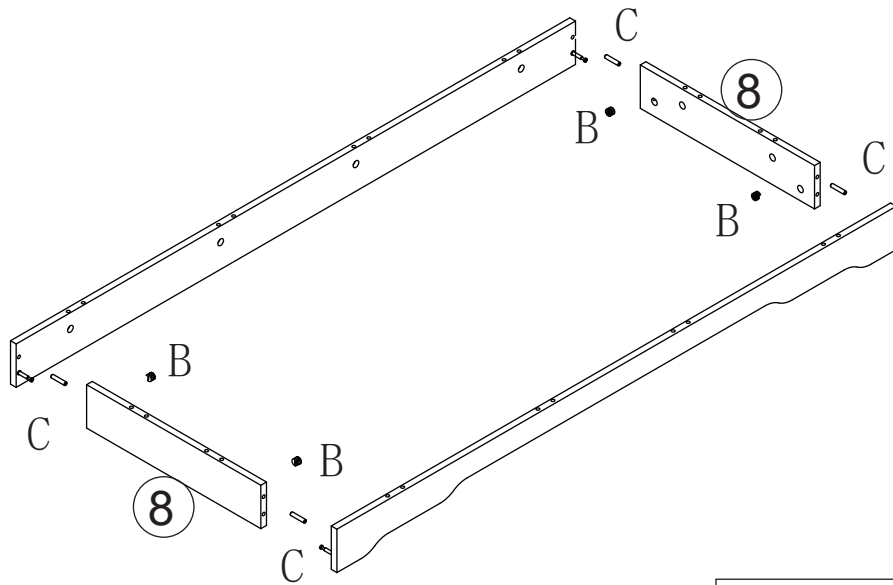
C		x8
E		x6


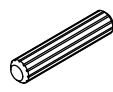
10



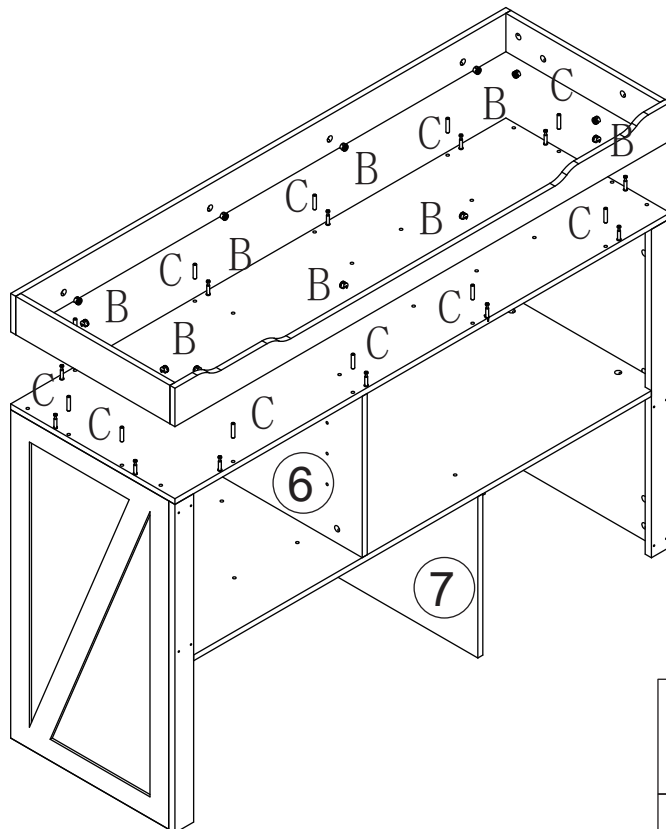
A		x4
---	---	----


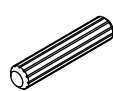
11



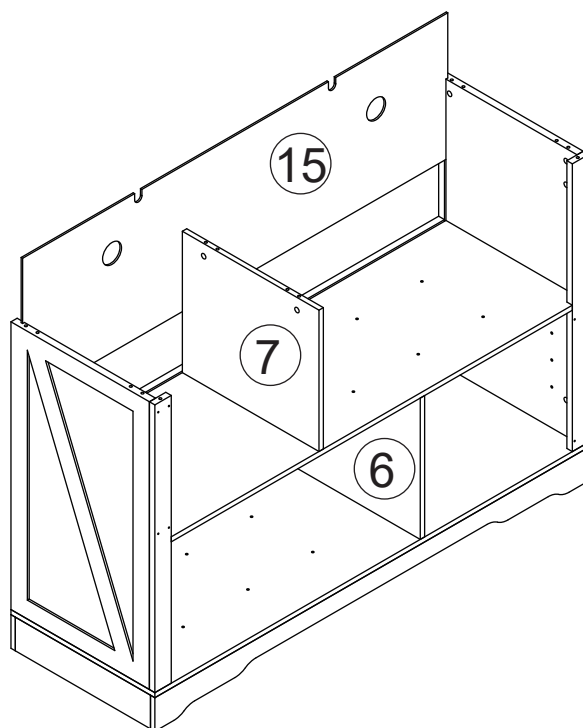
B		x4
C		x4

12

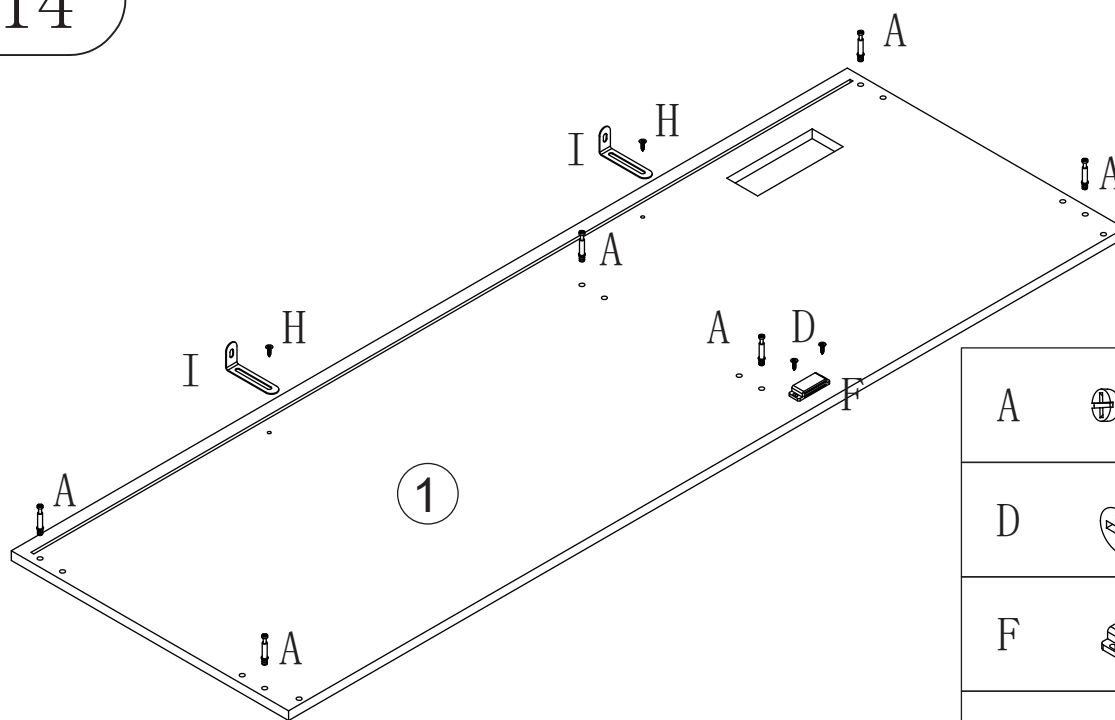


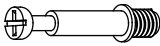
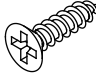

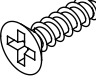
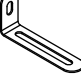
B		x12
C		x12

13

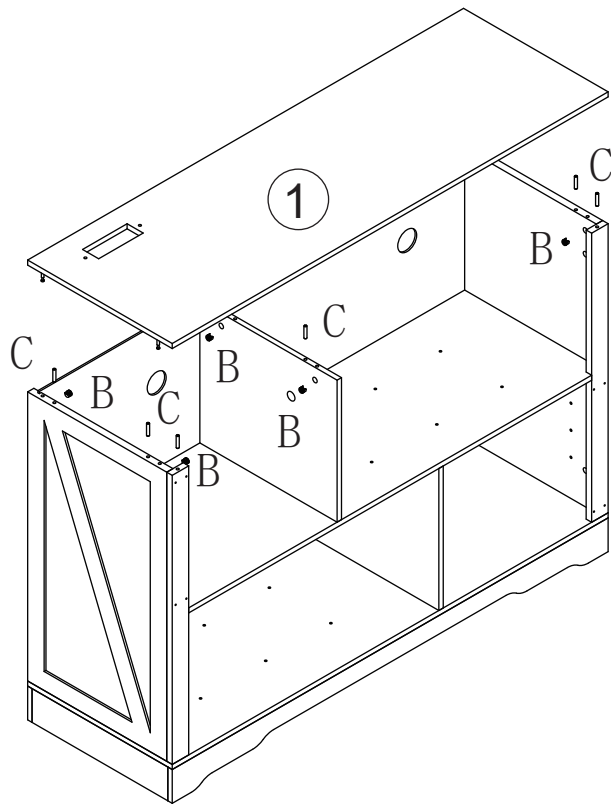



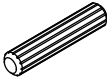
14



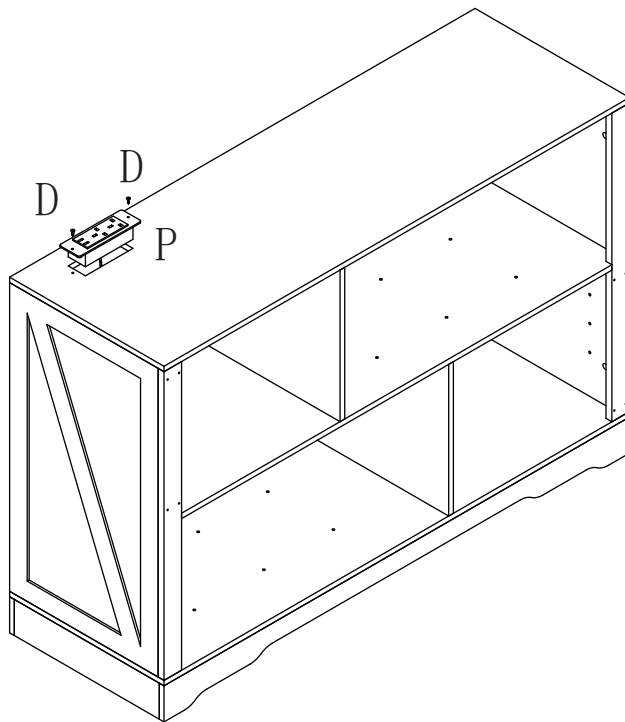
A		x6
D		x2
F		x1
H		x2
I		x2

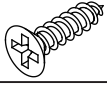

15



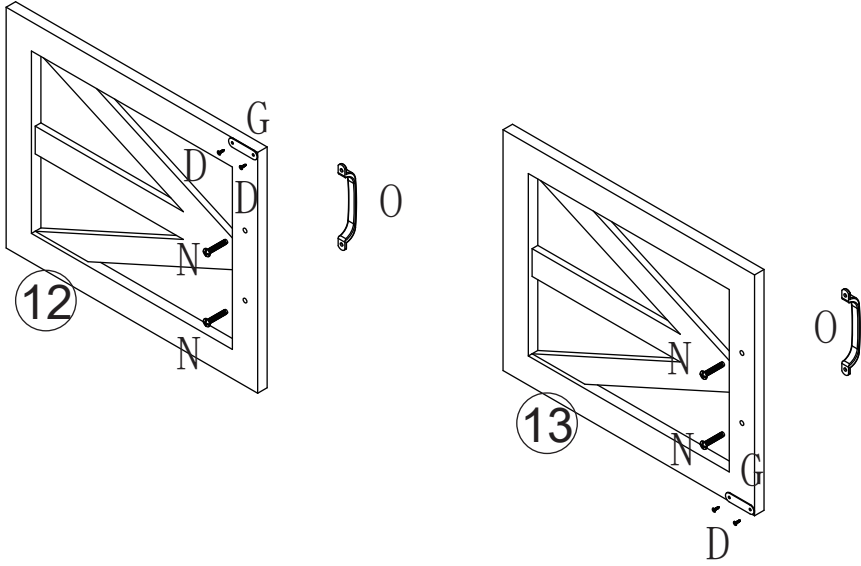
B		x6
C		x8

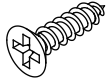
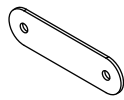


16



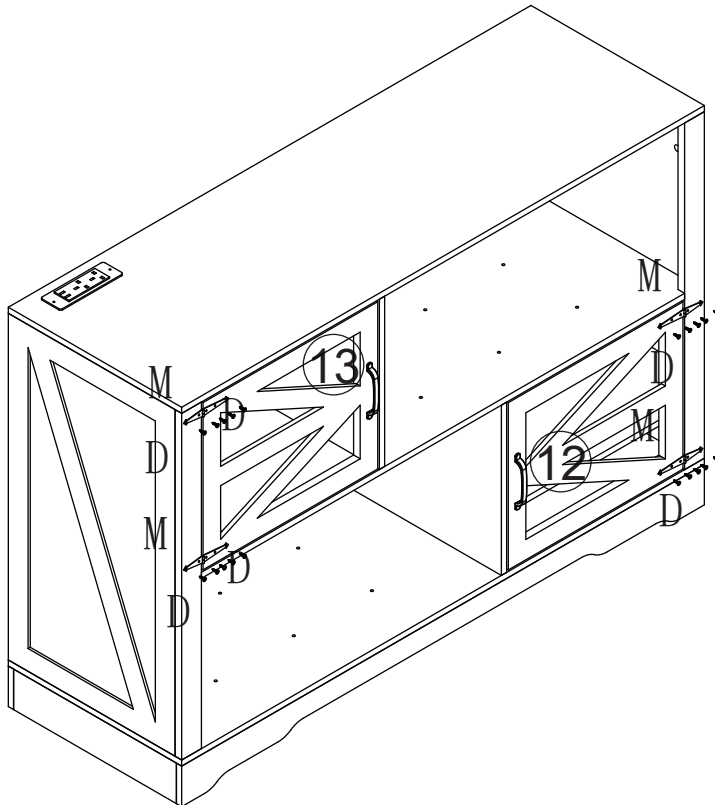
D		x2
P		x1

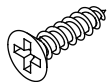
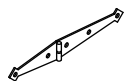
17



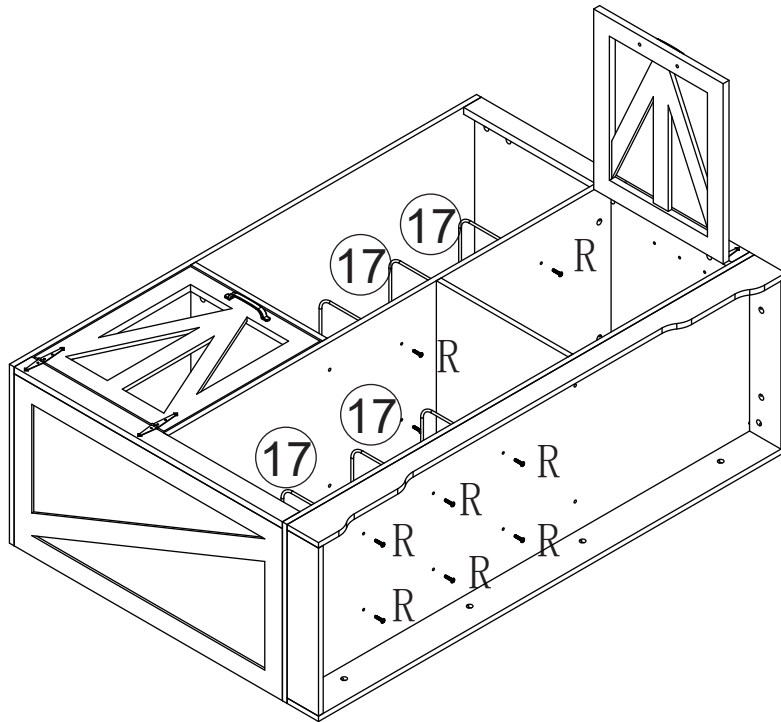
D		x4
G		x2
N		x4
O		x2

18



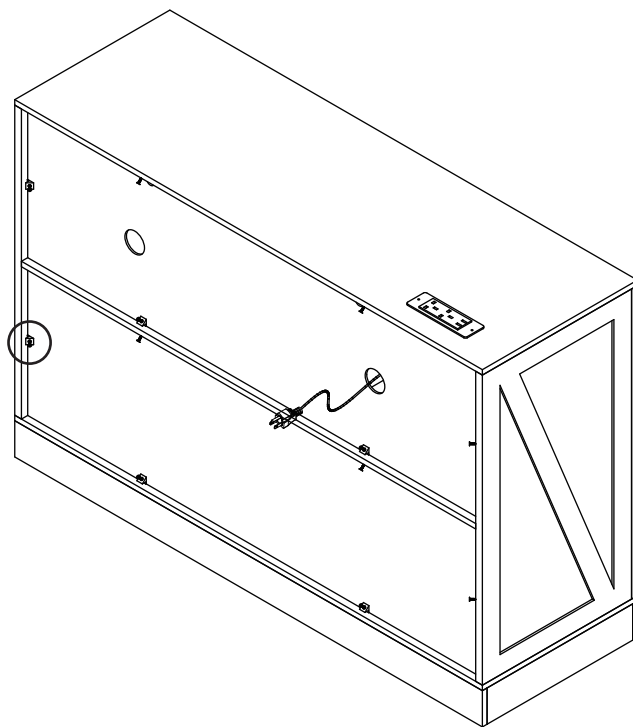
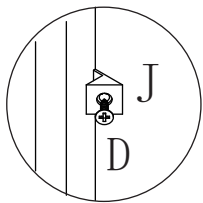
D		x20
M		x4

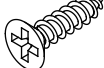

19



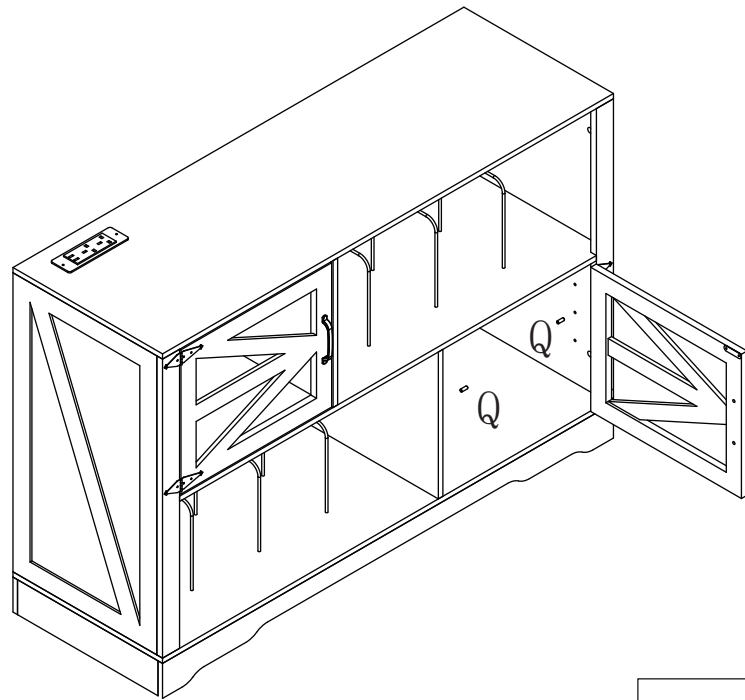
R		x12
---	---	-----

20



D		x12
J		x12

21

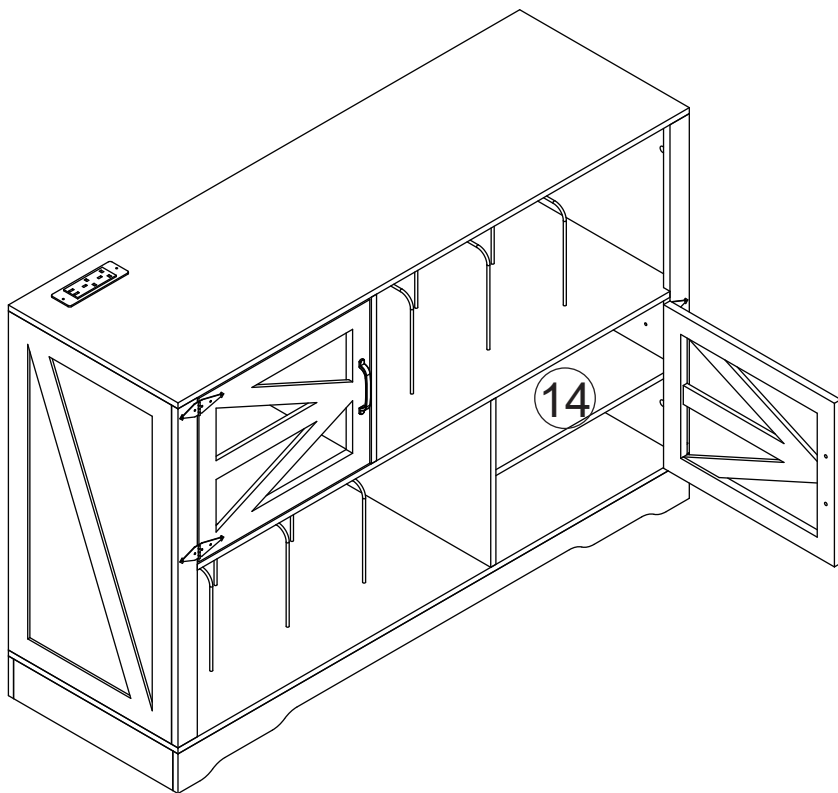


Q

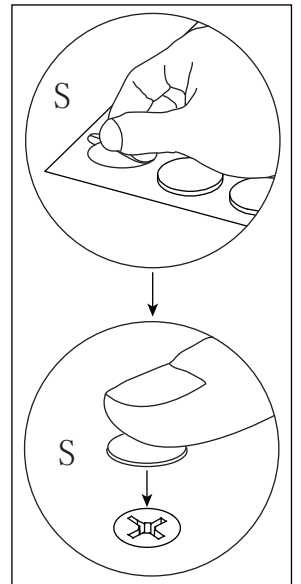


x4

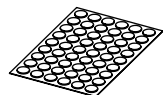
22



14

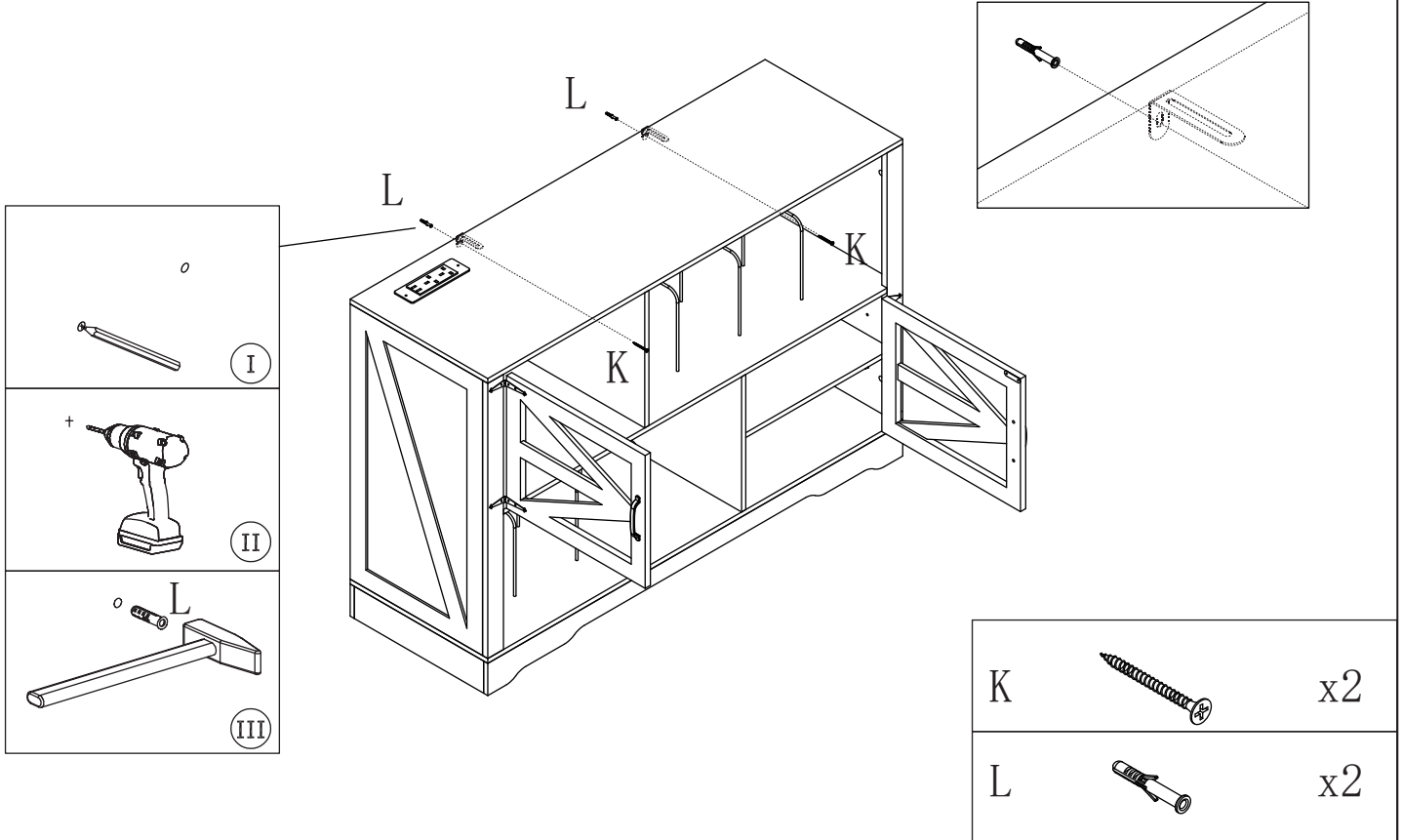




S



x1

23



K		x2
L		x2

**⚠ WARNING**

	<p>Children have died from furniture tipover. To reduce the risk of furniture tipover:</p> <p>ALWAYS install tipover restraint provided.</p> <p>NEVER put a TV on this product.</p> <p>NEVER allow children to stand, climb or hang on drawers, doors, or shelves.</p> <p>NEVER open more than one drawer at a time.</p> <p>Place heaviest items in the lowest drawers.</p>
	