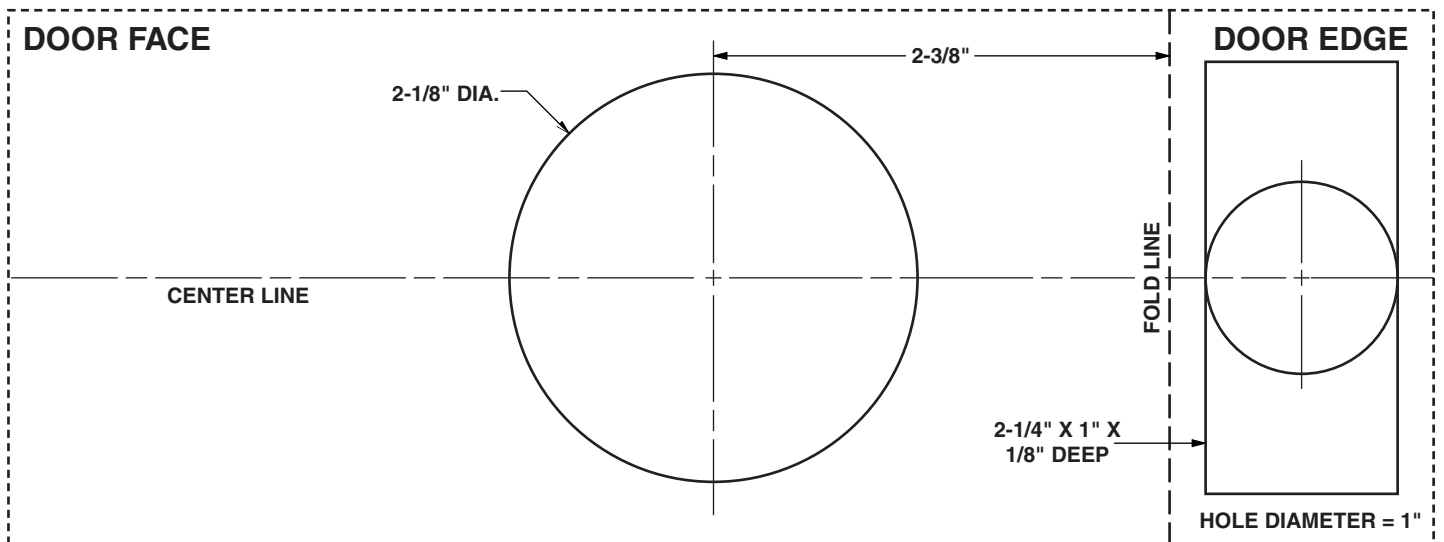


Drilling Template

1. Print this page at actual size.
2. Make sure the ruler below measures exactly 5" before using template.
3. Cut out template and tape to door at proper height.



FOR 1-3/8" DOOR THICKNESS



FOR 1-3/4" DOOR THICKNESS

