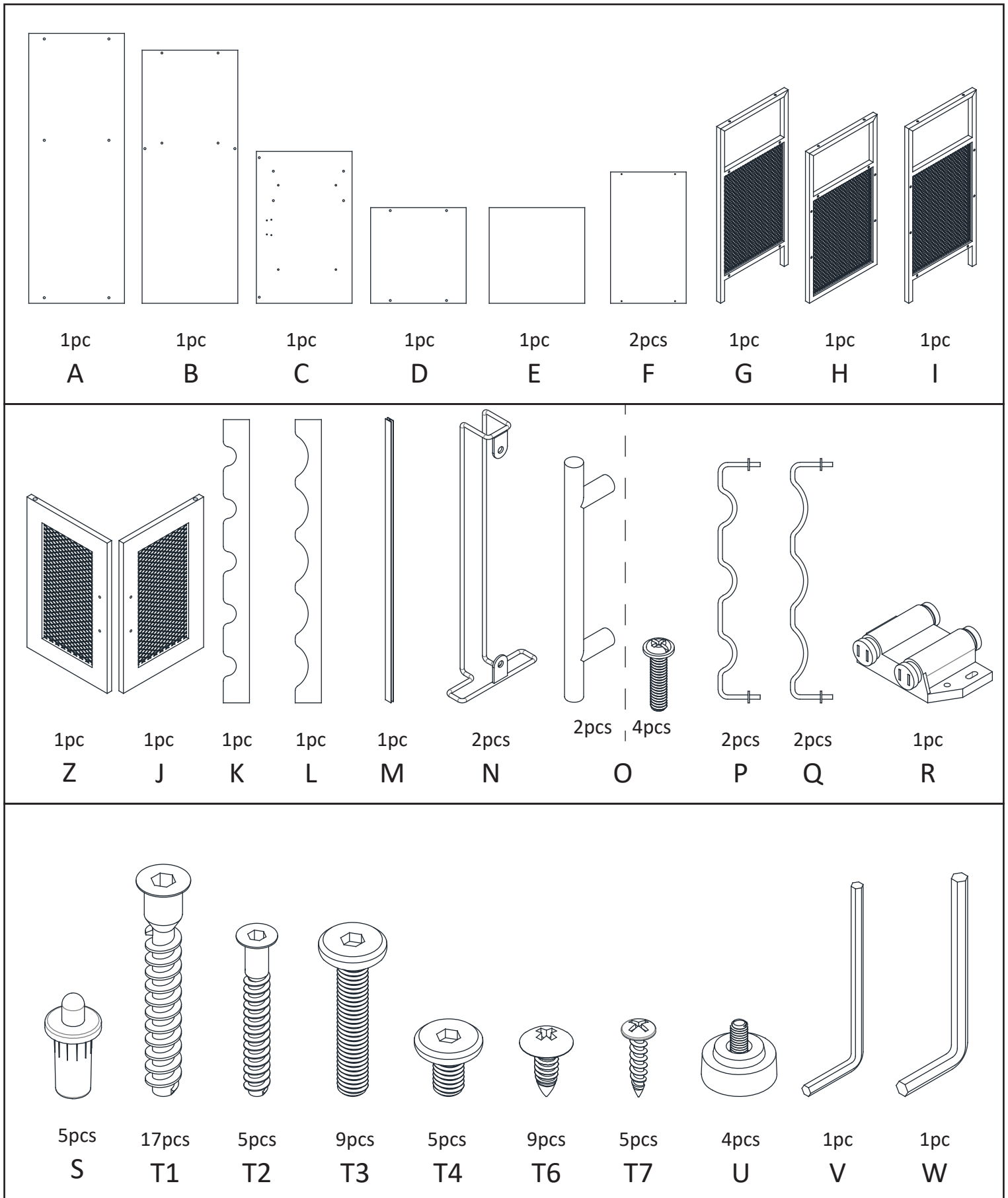


Website : [www.x-cosrack.com](http://www.x-cosrack.com)

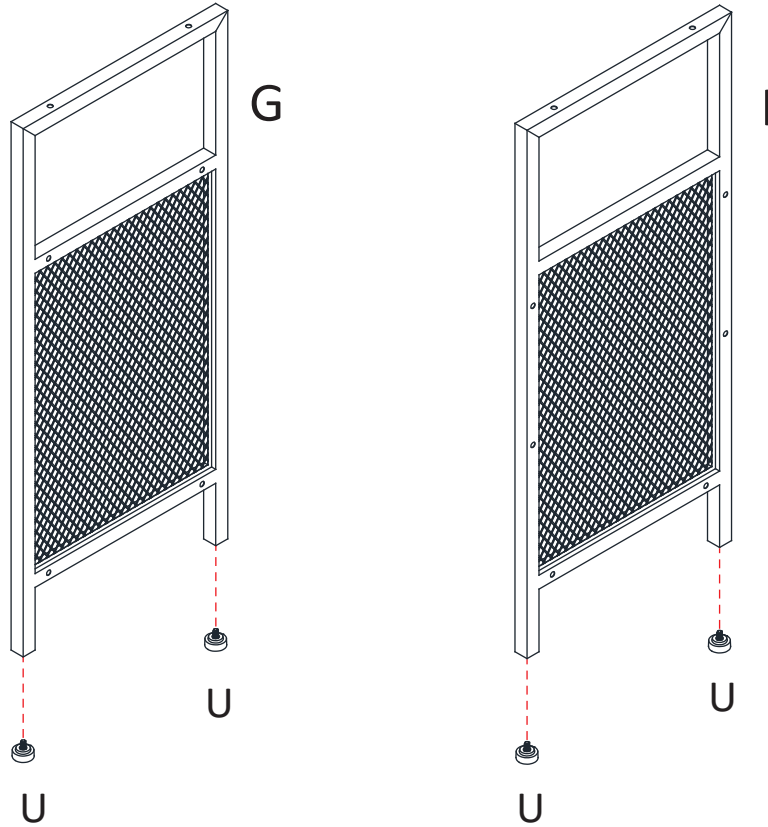
E-mail : [info@x-cosrack.com](mailto:info@x-cosrack.com)

Facebook: [www.facebook.com/cosrackofficial/](http://www.facebook.com/cosrackofficial/)

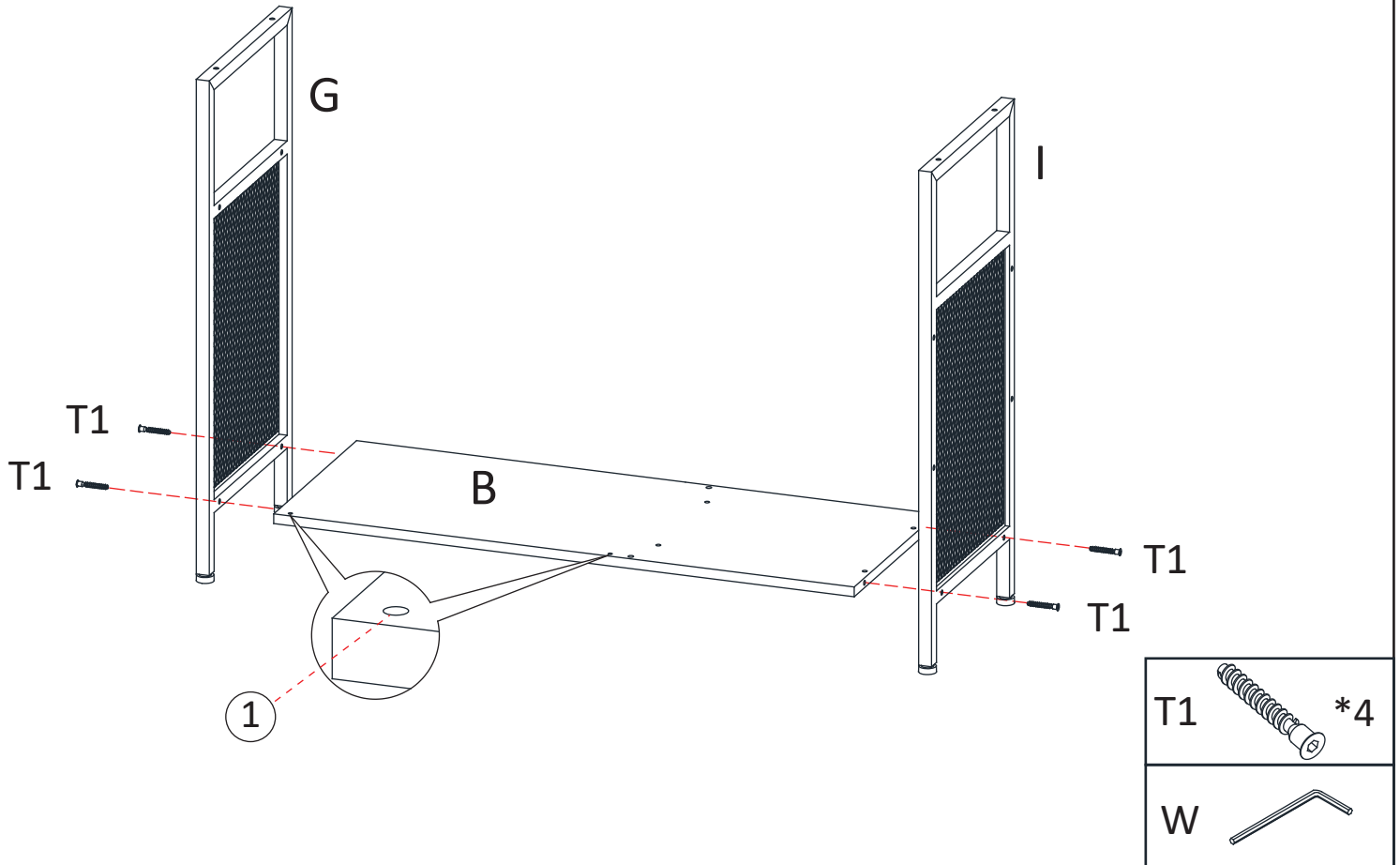
## Assembly Instructions



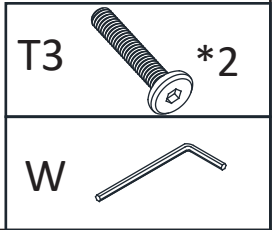
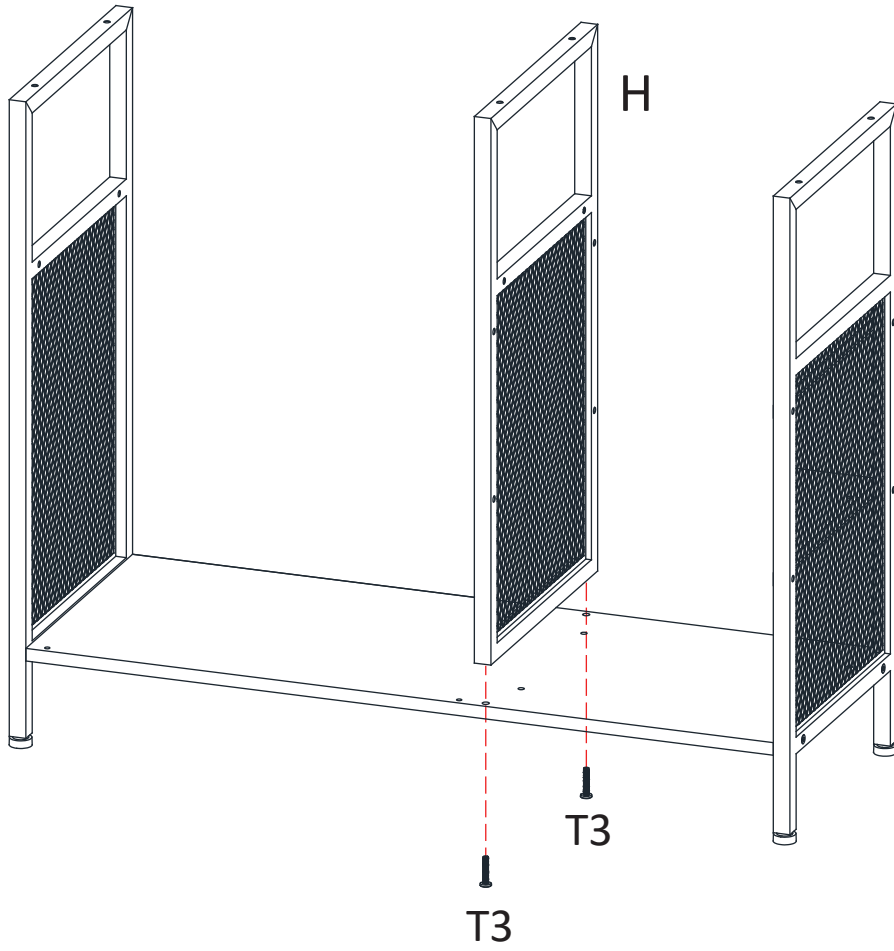
1.



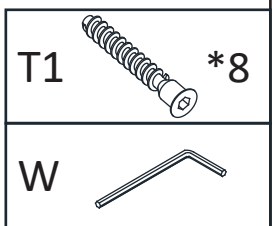
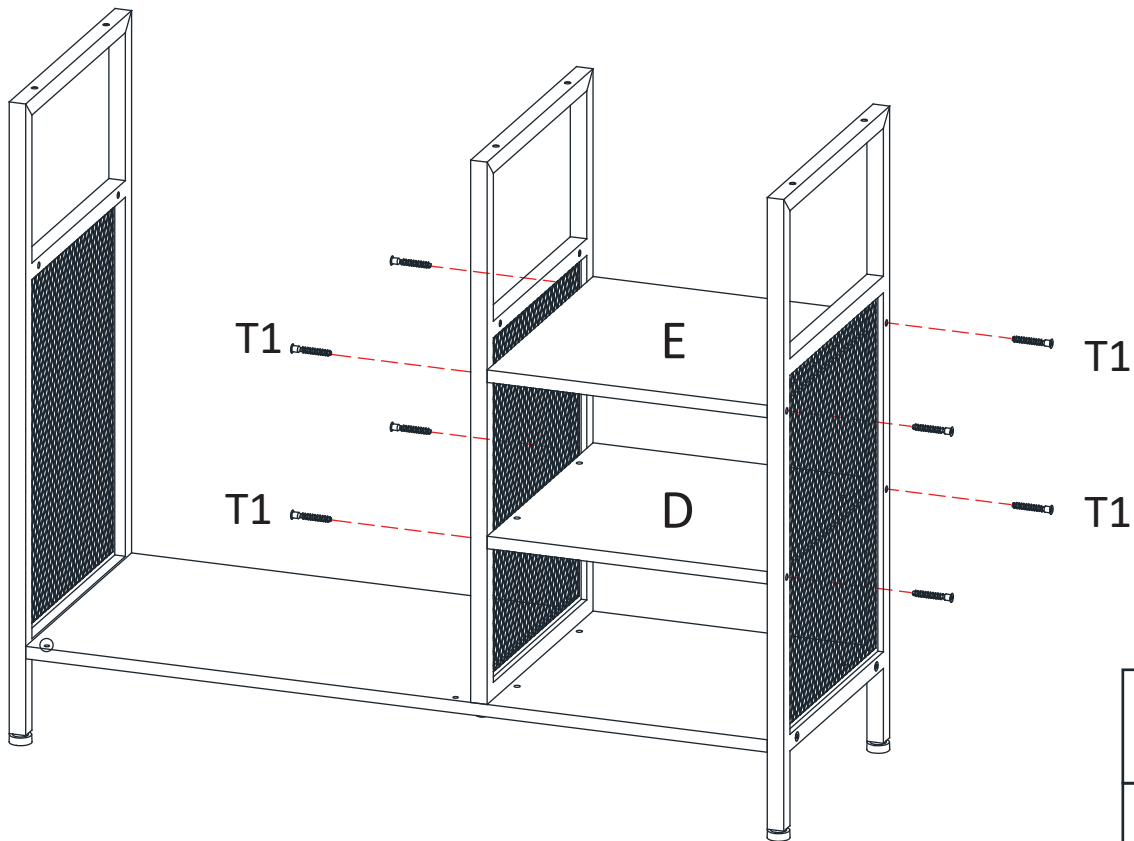
2. The hole ① on part B is oriented towards the front and part G/I is installed in the indicated position.



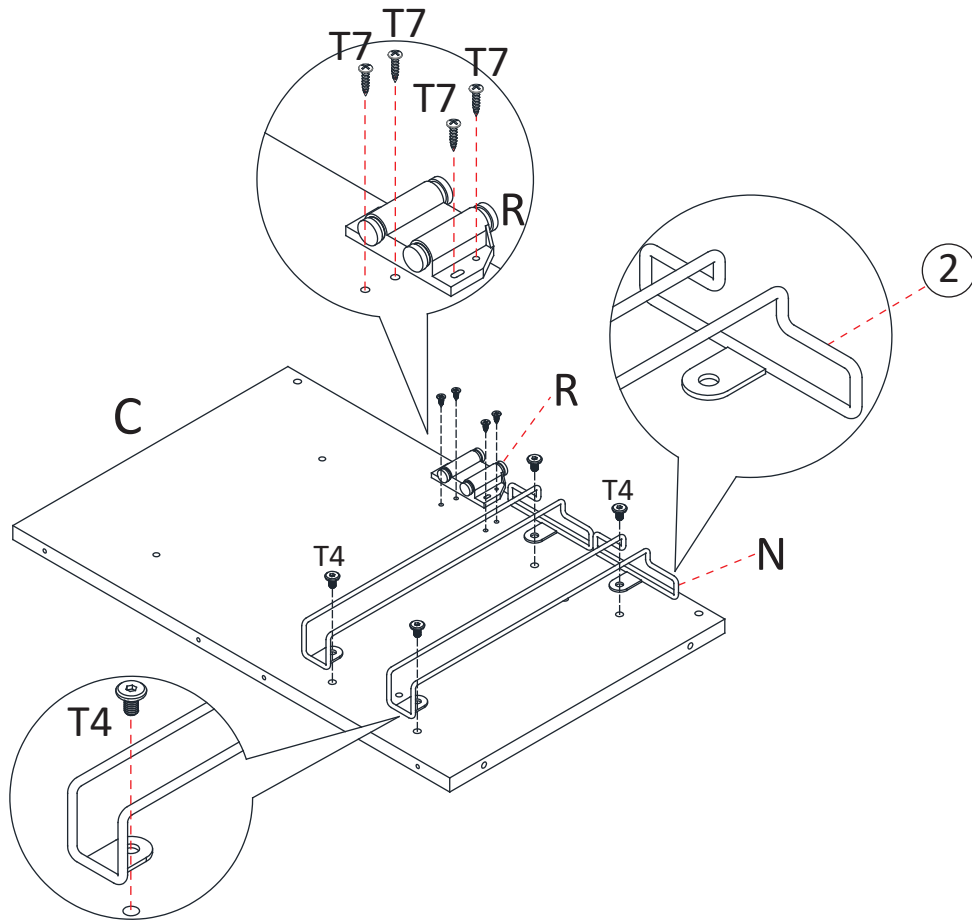
3.



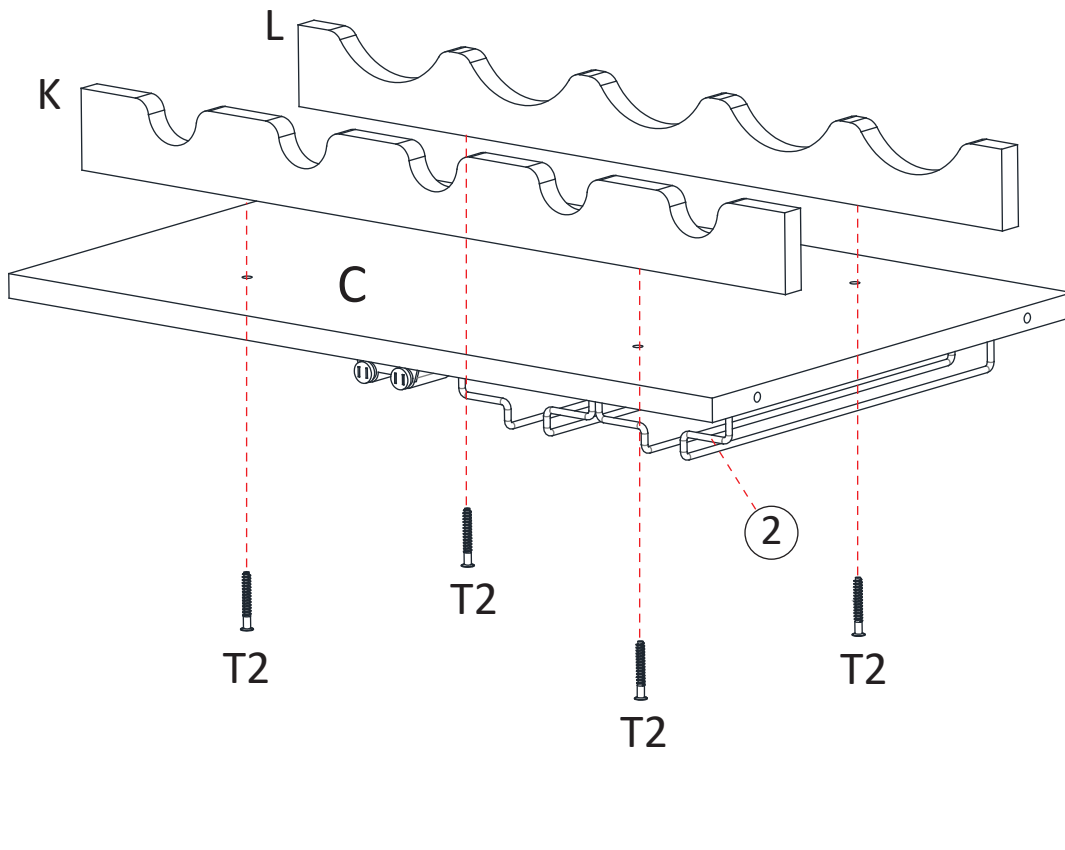
4. First align the part S (which installed at the bottom of the door J ) with the hole of the board B, and then tilt the door into the shelf so that the part S can snap into the pre-drilled hole of the board C. Repeat the above steps for the door on the other side.



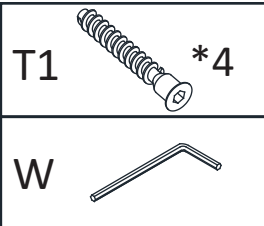
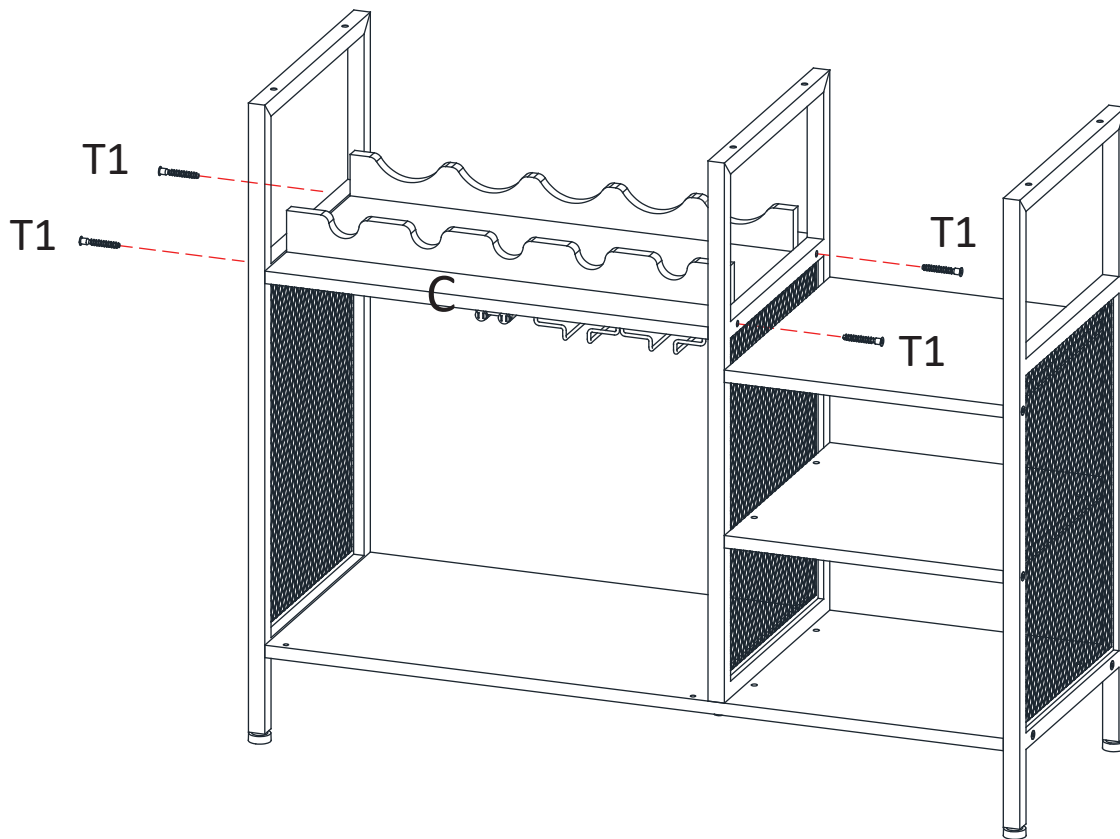
5. Fix the part R with screw T7. Fix the two wine glass holders N with screws T4.  
 (please note that the direction of ② is on the same side as the part R)



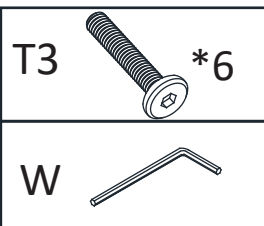
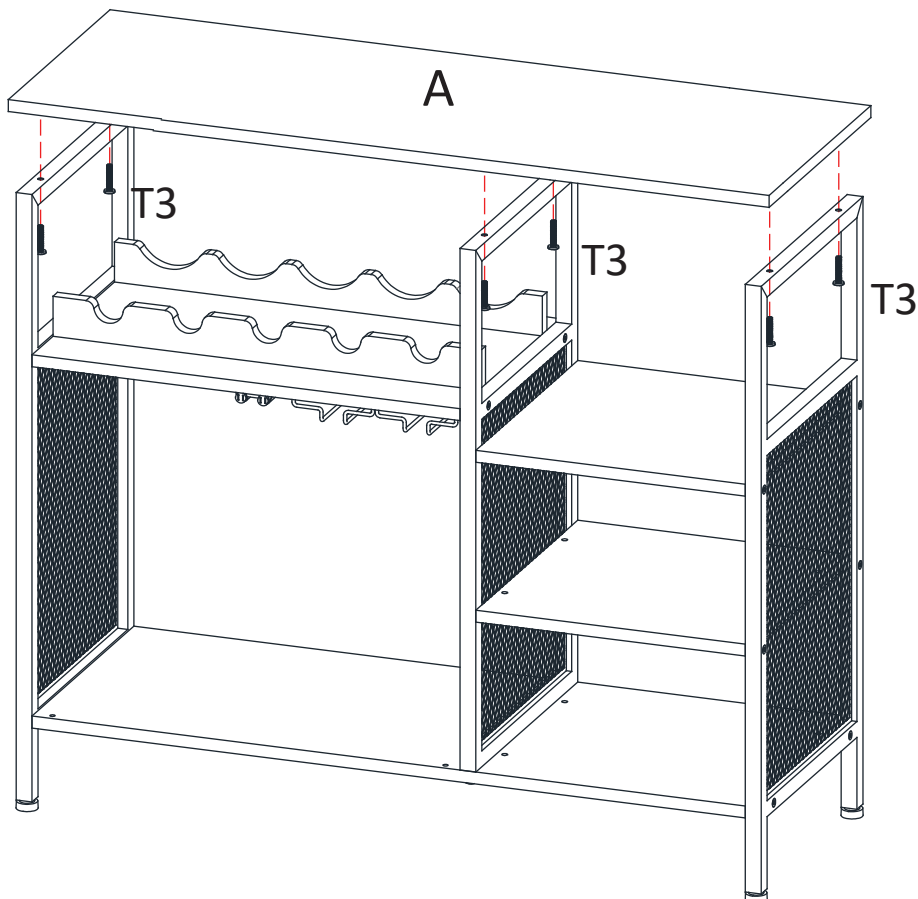
6. Install part K and part L with screws T2.  
 Please note that the groove of K is smaller than that of L and is on the same side as ②.



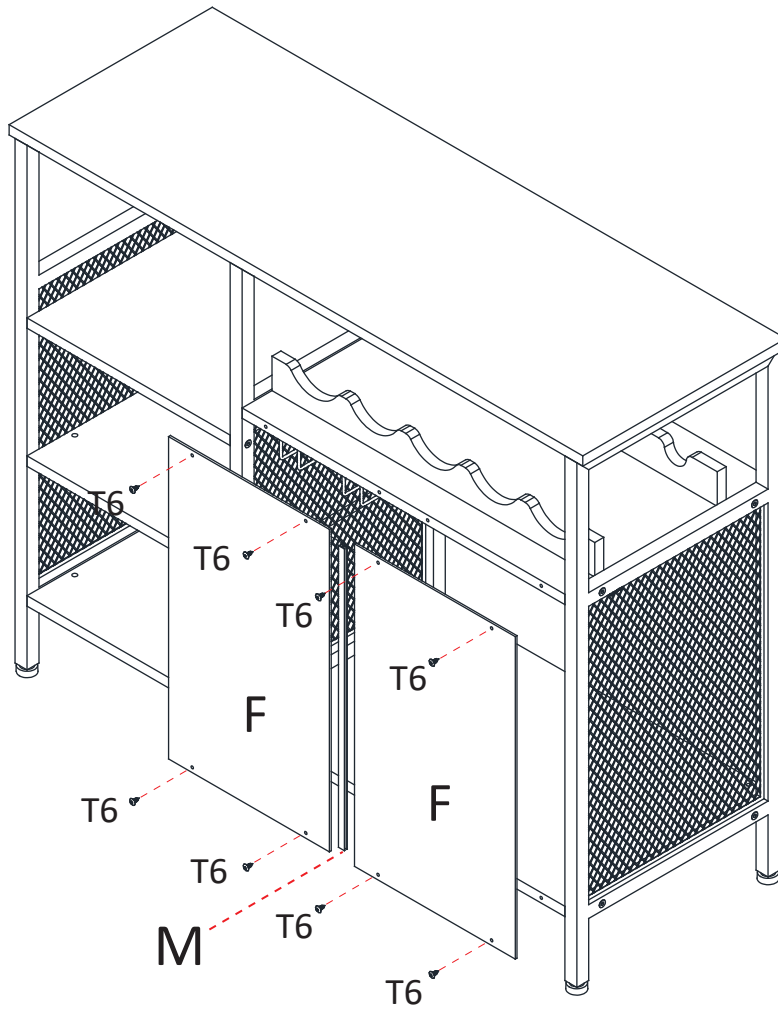
7.



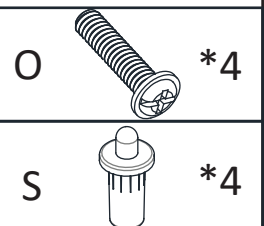
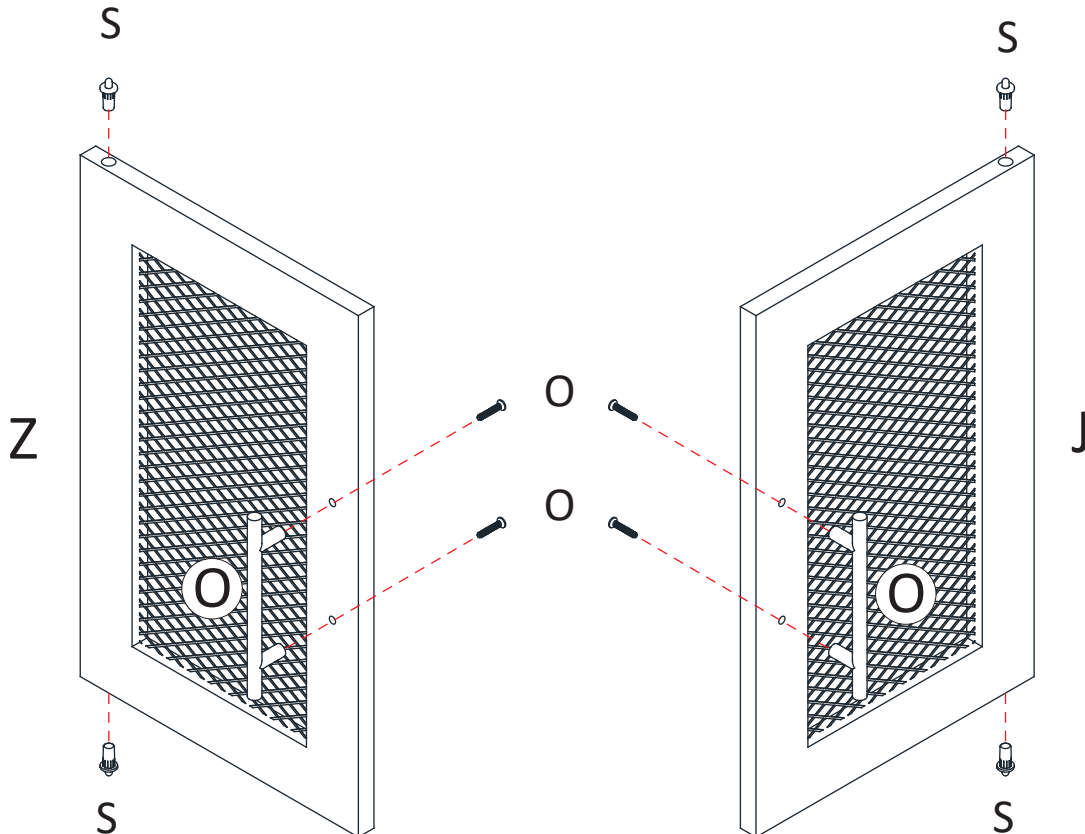
8.



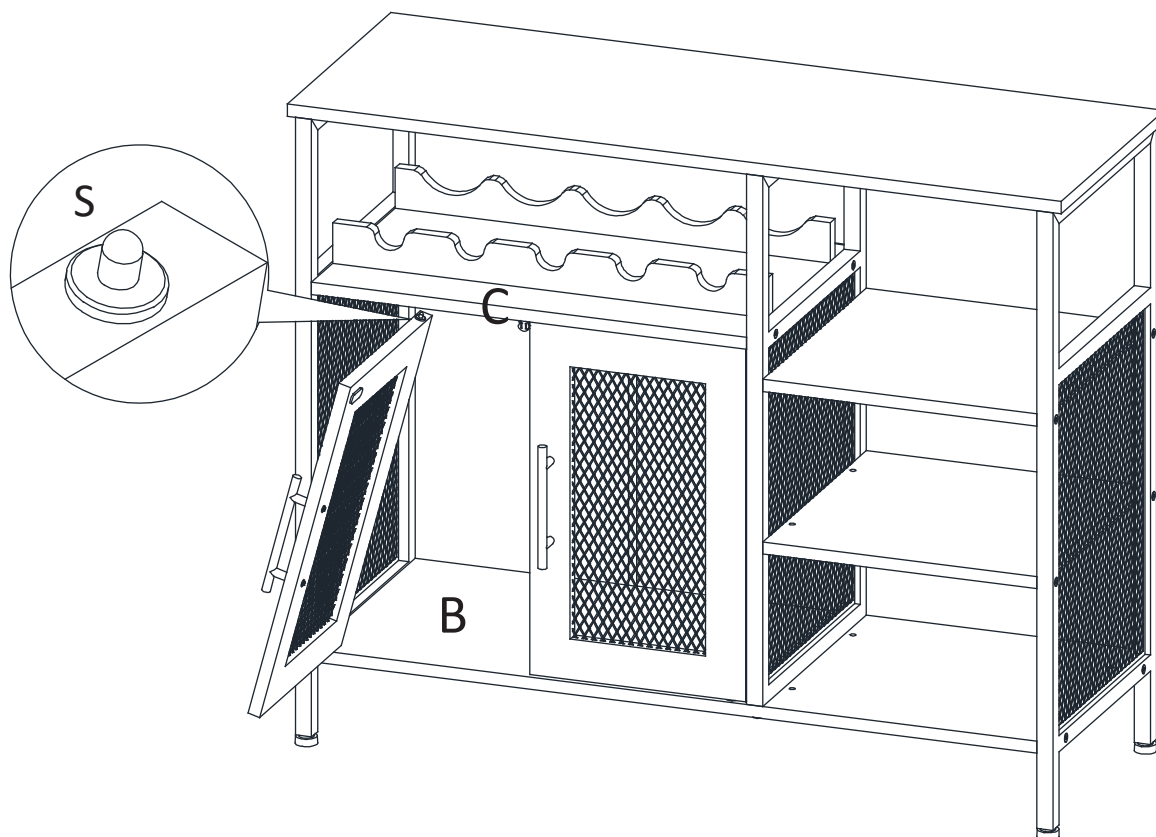
9.



10. Press part S into sliding door J/Z, and use screws O to install handle O.



- 11.** First align the part S (which installed at the bottom of the door J ) with the hole of the board B, and then tilt the door into the shelf so that the part S can snap into the pre-drilled hole of the board C. Repeat the above steps for the door on the other side.



- 12.** P\Q can be inserted into the plank if needed.

