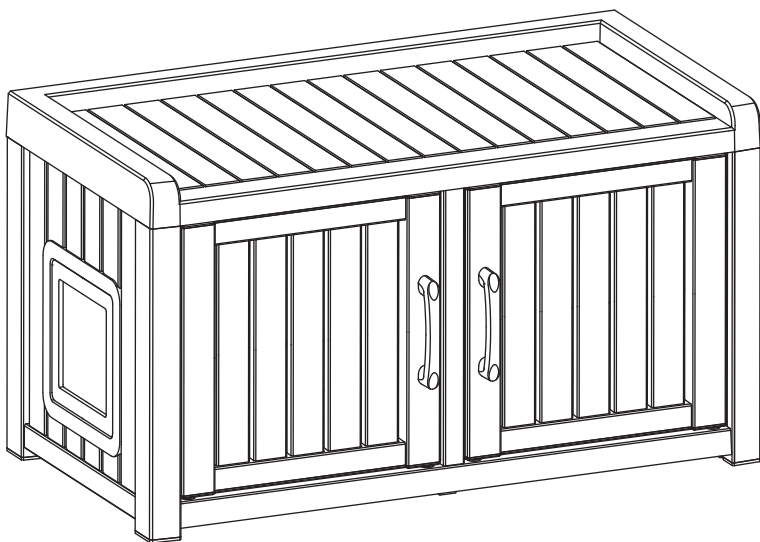


ASSEMBLE INSTRUCTIONS



IMPORTANT

Once installed, the product cannot be detached. Strictly follow each step in the installation manual.

- Gather and organize all required parts prior to assembly. If you have any problems or discover any missing parts, please contact customer service.
- Some parts may contain sharp edges. Wear protective gloves if necessary during assembly.

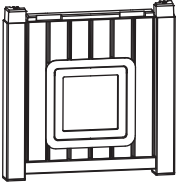
CARE & SAFETY

- Assemble on a flat, clean and soft surface.
- In case of fire, do not attempt to extinguish any burning polypropylene with water.
- Wear safety-goggles and always follow the manufacturer's instructions when using power tools.
- During installation, please refer to the accessories guide to ensure that they are installed in the correct directions.
- Do not stand on the lid.

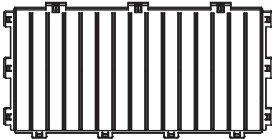
PARTS LIST



A(X2)



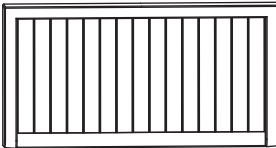
B1(X2)



C(X1)



D(X1)



J(X1)



G(X1)



(X2)



**M4x19mm
(X4)**



(X4)

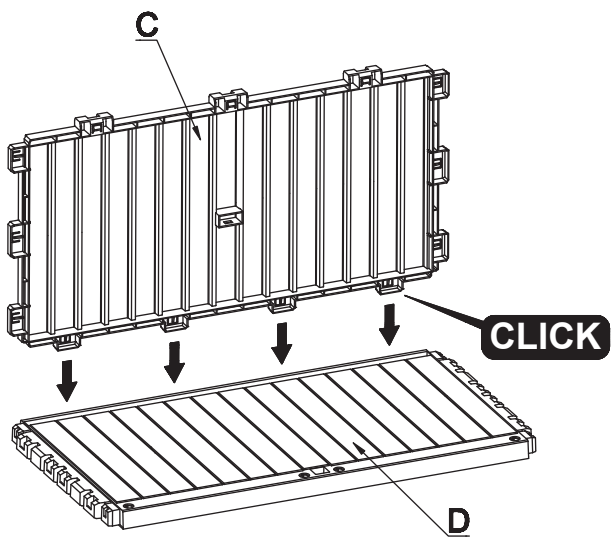
1



C(X1)



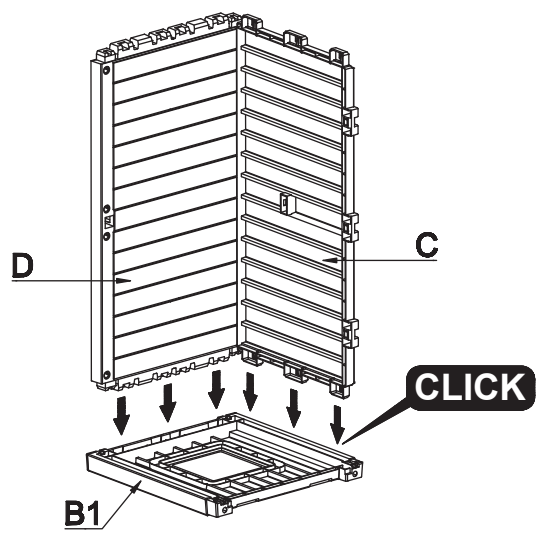
D(X1)



2

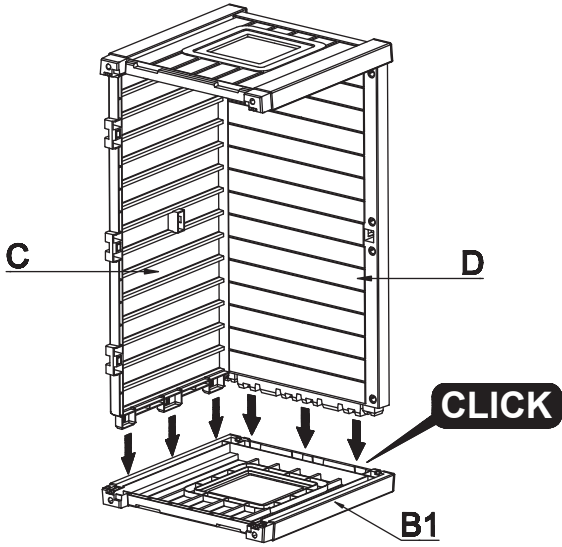


B1(X1)

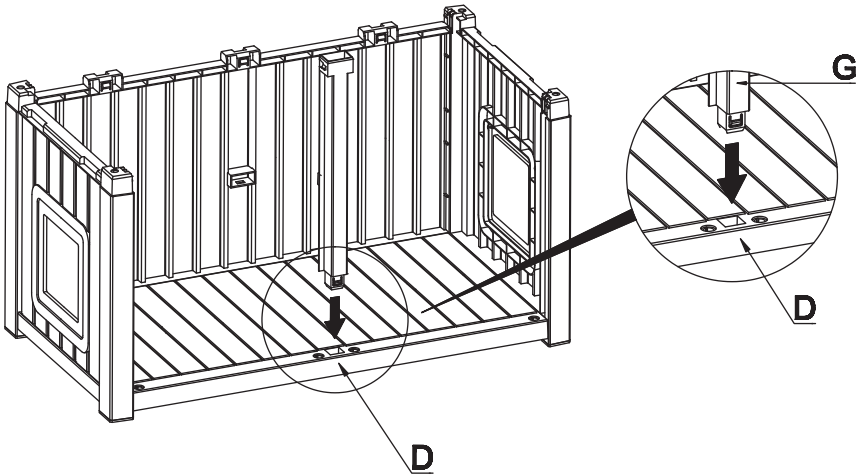


3

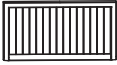
3  B1(X1)



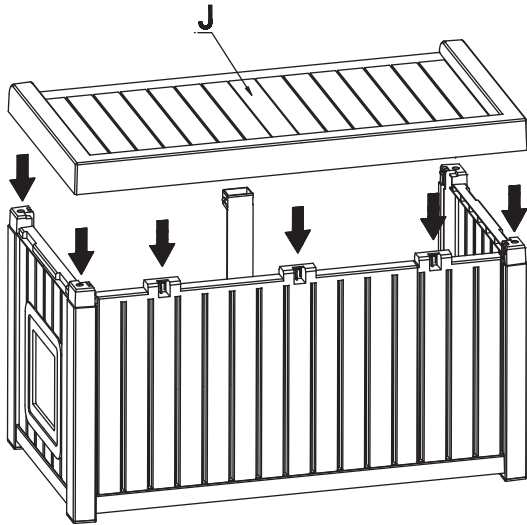
4  G(X1)



5



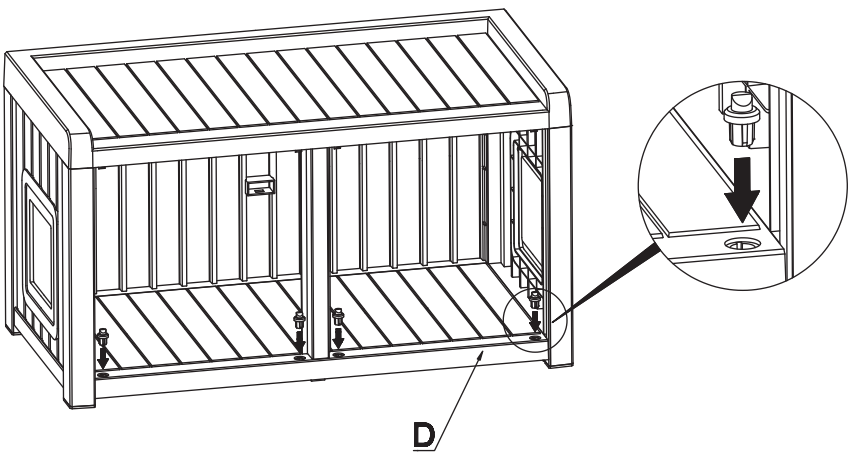
J(X1)



6



(X4)



7



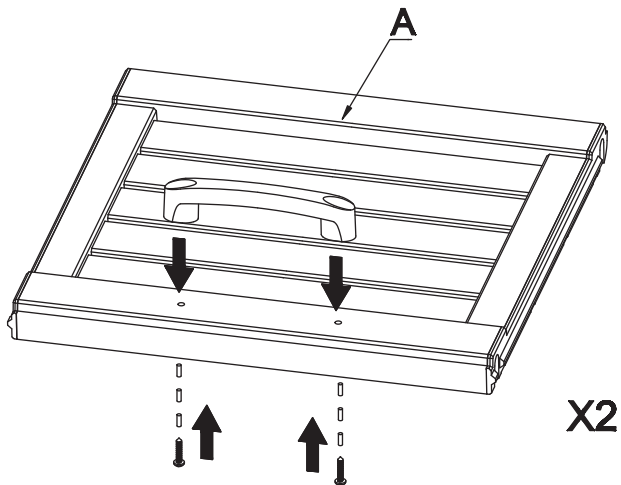
A(X2)



(X2)



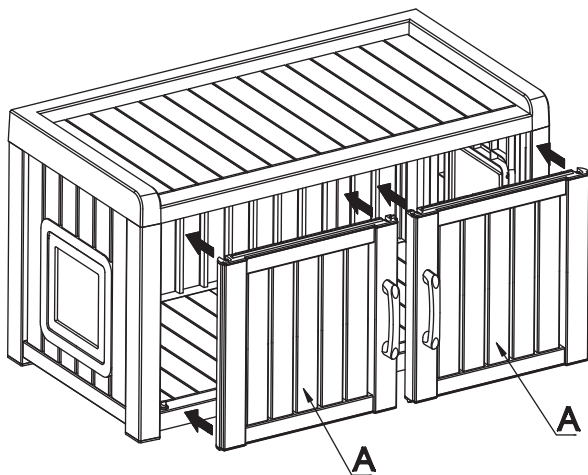
M4x19mm
(X4)



8

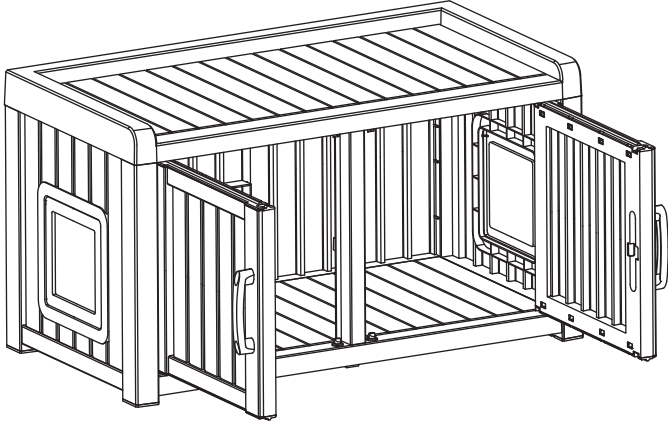


A(X2)



6

9



10

