
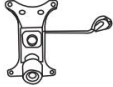






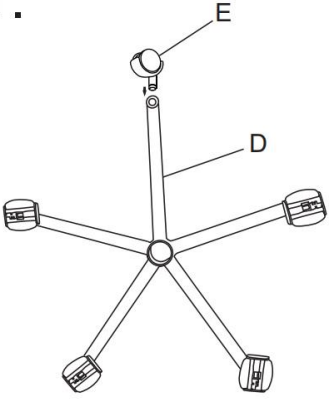


OFFICE CHAIR

A		1
B		1
C		1
D		1

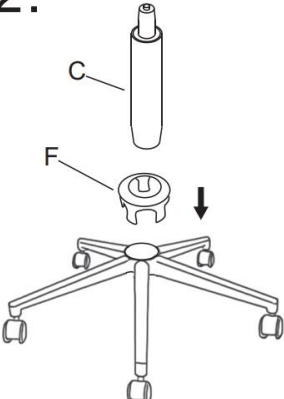
E		5
F		1
G	 (M6*18mm)	4
H		1

1.



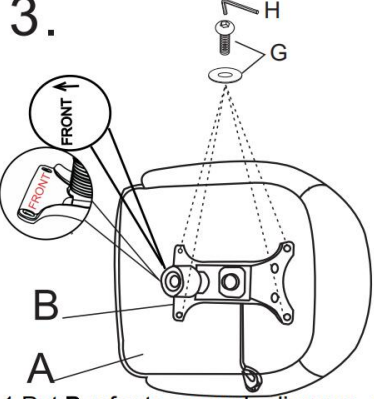
Press the wheel **E** down vertically with force.

2.



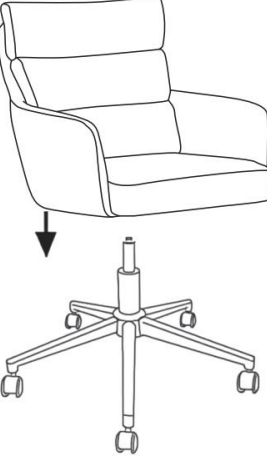
1. Insert the **F** into **D**, and snap **D** to **F**.
2. Insert **C** into the hole of the **F** and **D**.

3.



1. Put **B** refer to example diagram, and the "Front" is placed at the front edge of the cushion **A**.
2. Sleeve **G** into **H**, and tighten the 4 screws **G** in order to 50%, after all tighten all screws to 100%.

4.



Note:The product uses high-quality pressure wheels that only move when gravity is sensed. So when using it for the first time, please have someone sit on it before moving.