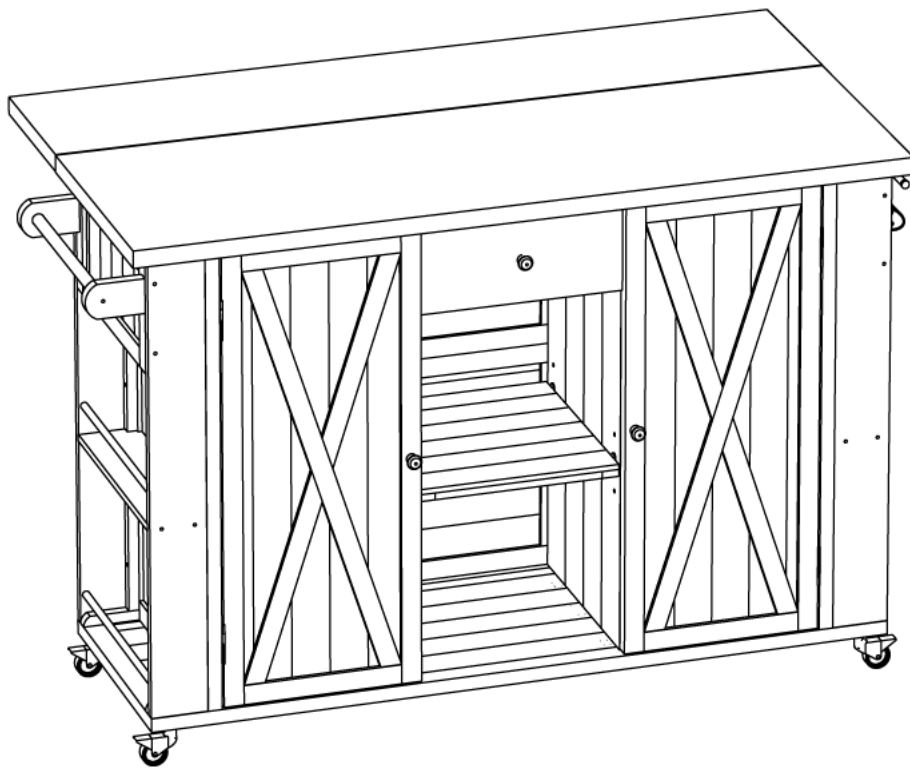


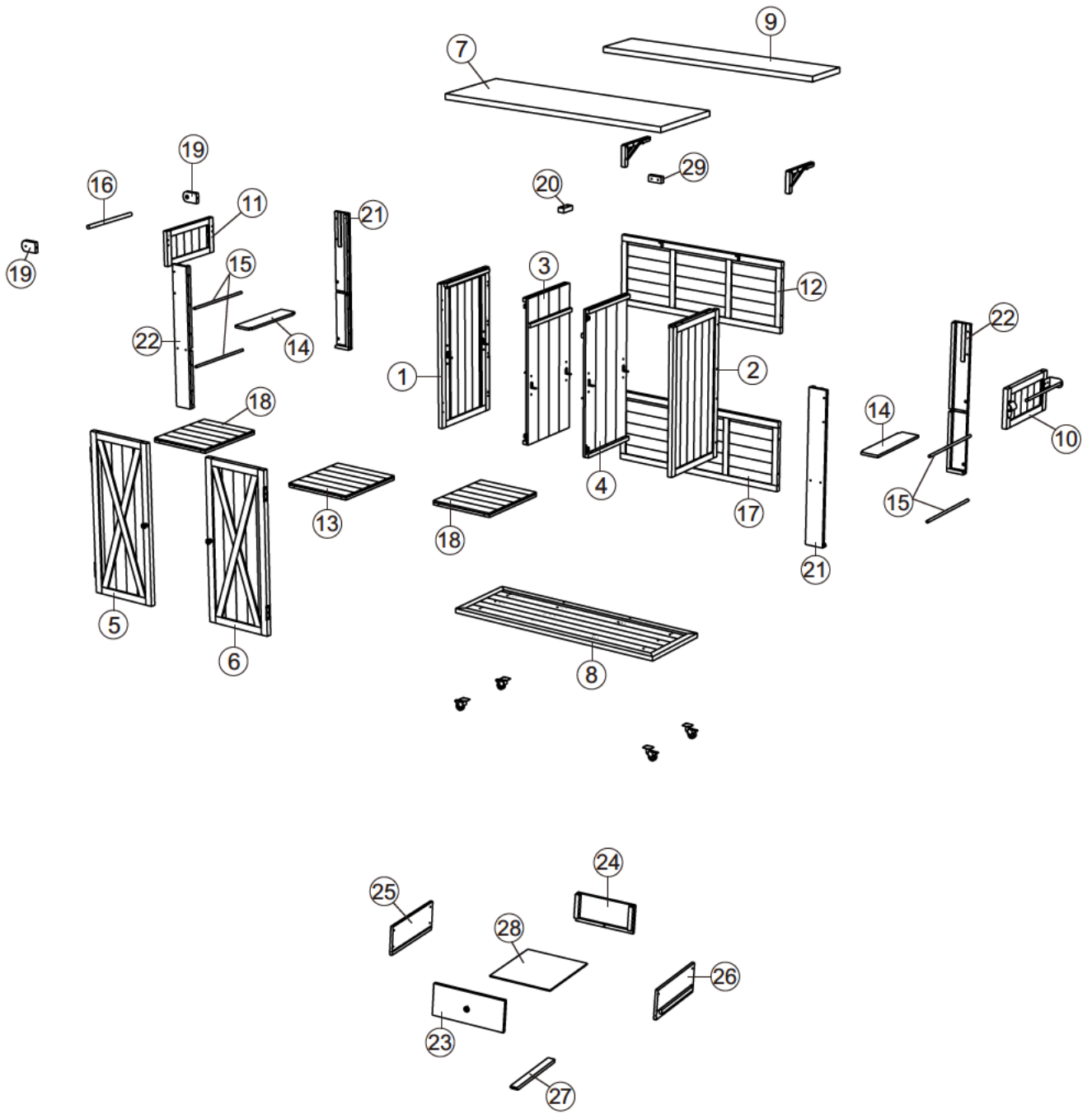
ASSEMBLY INSTRUCTION

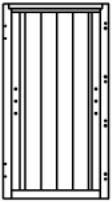





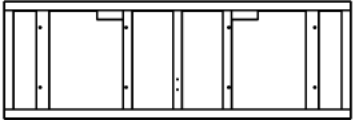

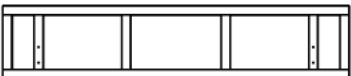
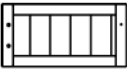

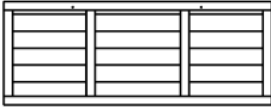







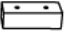


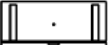
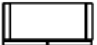
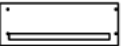
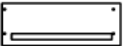
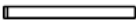

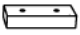


IMPORTANT NOTE:











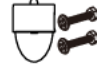




- ① PLACE ALL PARTS ON A CLEAN AND SMOOTH SURFACE SUCH AS A RUG OR CARPET TO AVOID THE PARTS FROM BEING SCRATCHED.
- ② BEFORE YOU BEGIN, KINDLY FOLLOW THE ASSEMBLY INSTRUCTIONS STEP BY STEP.
- ③ DO NOT TIGHTEN ALL SCREWS AND BOLTS UNTIL THIS ITEM IS FULLY SET-UP.

Detail View



| | | | | | | | |
|----|-------------------------------------------------------------------------------------|----|-------------------------------------------------------------------------------------|----|--------------------------------------------------------------------------------------|----|---------------------------------------------------------------------------------------|
| 1 |  | 2 |  | 3 |  | 4 |  |
| | 1pc | | 1pc | | 1pc | | 1pc |
| 5 |  | 6 |  | 7 |  | 8 |  |
| | 1pc | | 1pc | | 1pc | | 1pc |
| 9 |  | 10 |  | 11 |  | 12 |  |
| | 1pc | | 1pc | | 1pc | | 1pc |
| 13 |  | 14 |  | 15 |  | 16 |  |
| | 1pc | | 2pcs | | 4pcs | | 1pc |
| 17 |  | 18 |  | 19 |  | 20 |  |
| | 1pc | | 2pcs | | 2pcs | | 1pc |
| 21 |  | 22 |  | 23 |  | 24 |  |
| | 2pcs | | 2pcs | | 1pc | | 1pc |
| 25 |  | 26 |  | 27 |  | 28 |  |
| | 1pc | | 1pc | | 1pc | | 1pc |
| 29 |  | | | | | | |
| | 1pc | | | | | | |

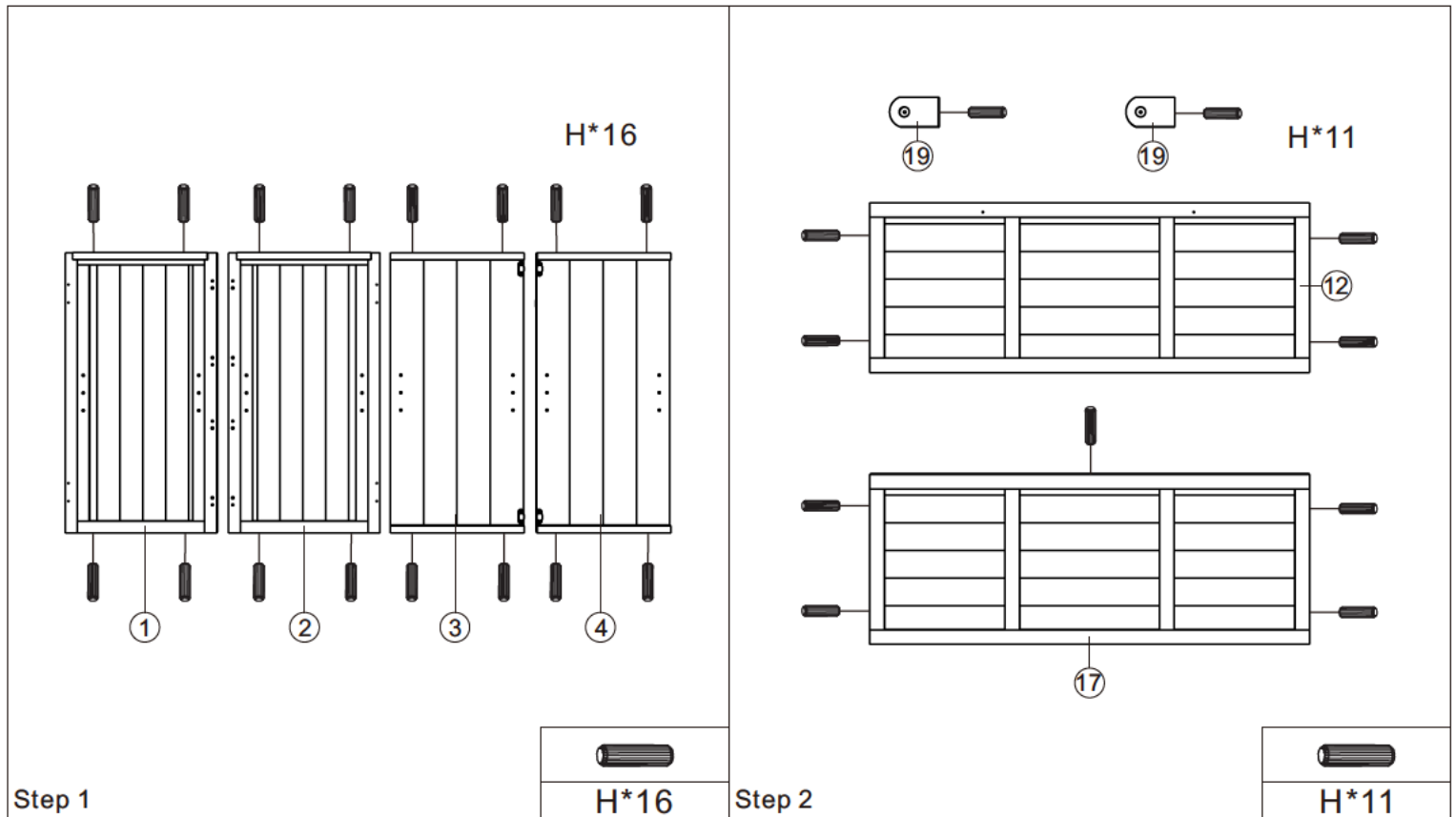
Hardware List

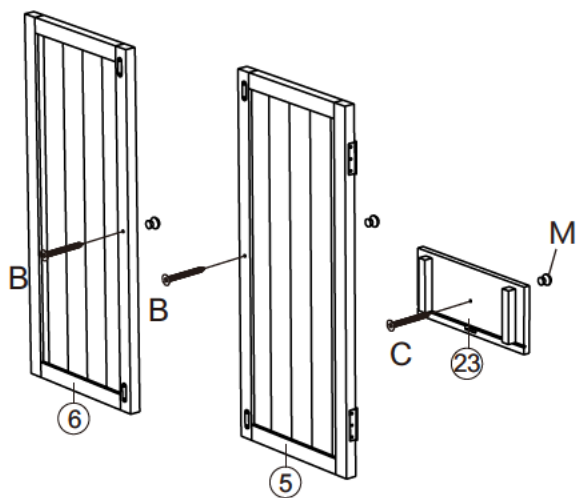
| | | | |
|-----------------------------------------------------------------------------------------------------------------------------|-----------------------------------------------------------------------------------------------------------------------------|------------------------------------------------------------------------------------------------------------------------------|-------------------------------------------------------------------------------------------------------------------------------|
| <p>A</p>  <p>Ø 3.5*45 24pcs</p> | <p>B</p>  <p>Ø 3.5*40 52pcs</p> | <p>C</p>  <p>Ø 3.0*30 20pcs</p> | <p>D</p>  <p>Ø 3.5*25 16pcs</p> |
| <p>E</p>  <p>Ø 3.0*16 16pcs</p> | <p>F</p>  <p>Ø 3.5*30 10pcs</p> | <p>G</p>  <p>Ø 3.0*16 2pcs</p> | <p>H</p>  <p>27pcs</p> |
| <p>I</p>  <p>2pcs</p> | <p>J</p>  <p>12pcs</p> | <p>K</p>  <p>1pc</p> | <p>L</p>  <p>4pcs</p> |
| <p>M</p>  <p>3pcs</p> | <p>N</p>  <p>2pcs</p> | <p>O</p>  <p>1pc</p> | |

ASSEMBLY TOOLS REQUIRED(NOT INCLUDED)






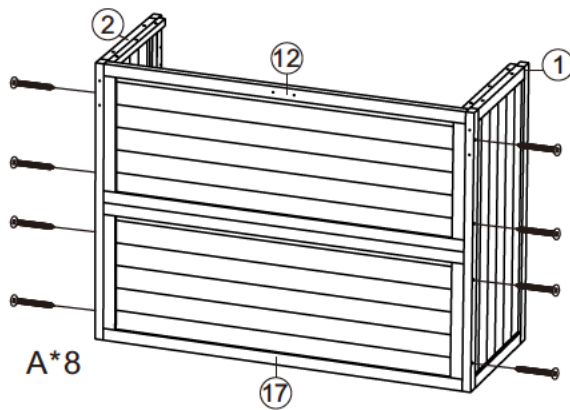
PLEASE BE CAREFUL DO NOT DAMAGE THE HOLE POSITION WHEN YOU USE POWERTOOLS !






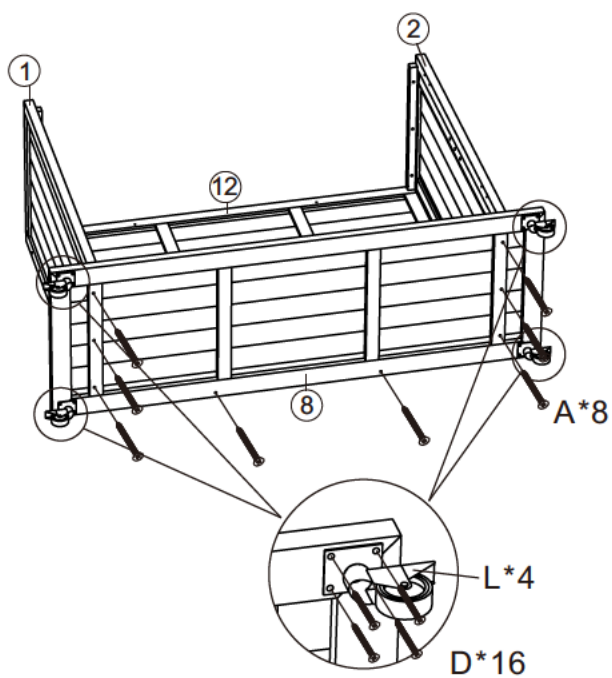
Step 3

| | | |
|-------------------------------------------------------------------------------------|-------------------------------------------------------------------------------------|-------------------------------------------------------------------------------------|
|  |  |  |
| B*2 | C*1 | M*3 |






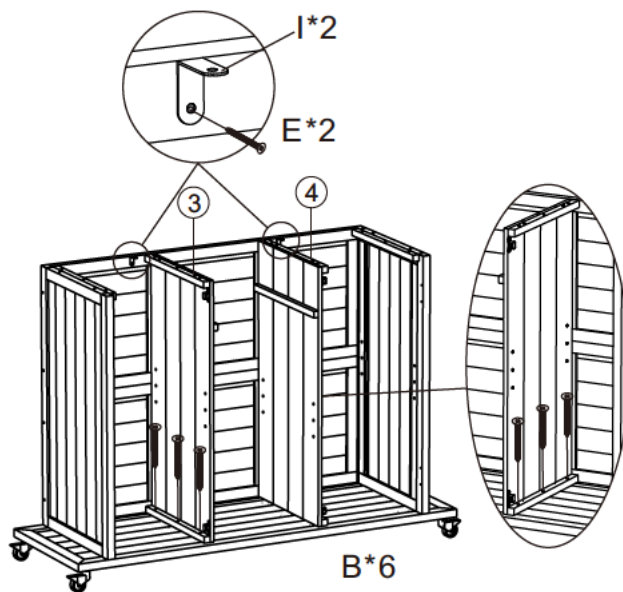
Step 4

| |
|---------------------------------------------------------------------------------------|
|  |
| A*8 |






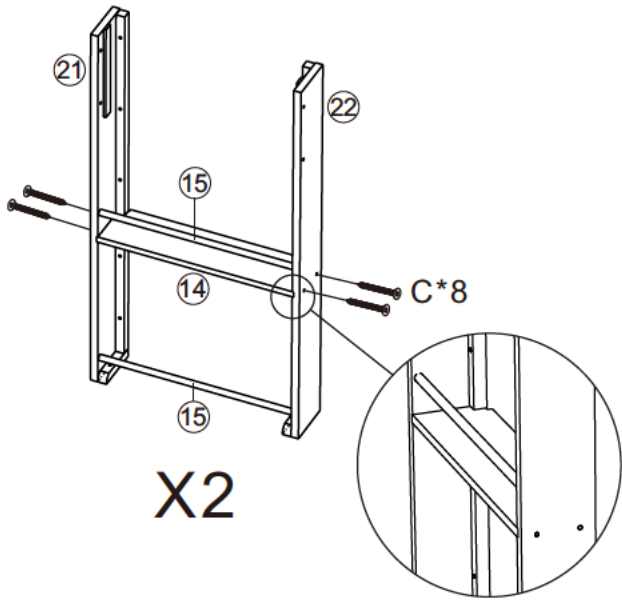
Step 5

| | | |
|-------------------------------------------------------------------------------------|-------------------------------------------------------------------------------------|-------------------------------------------------------------------------------------|
|  |  |  |
| A*8 | D*16 | L*4 |



Step 6

| | | |
|---------------------------------------------------------------------------------------|---------------------------------------------------------------------------------------|---------------------------------------------------------------------------------------|
|  |  |  |
| B*6 | E*2 | I*2 |

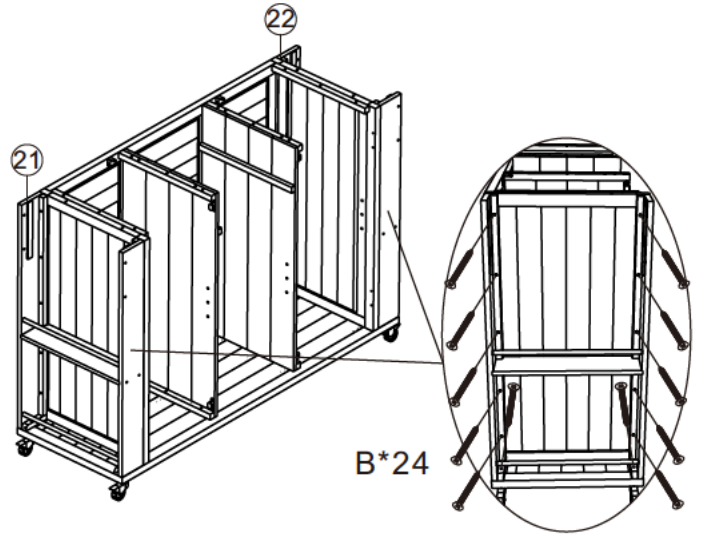


X2

Step 7



C*8

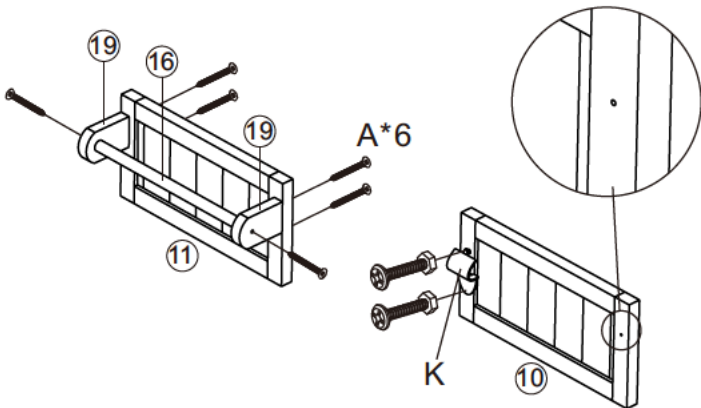


B*24

Step 8



B*24



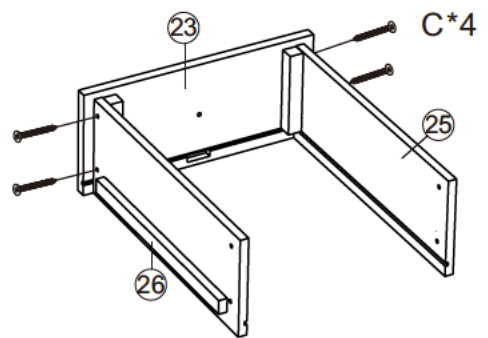
Step 9



A*6



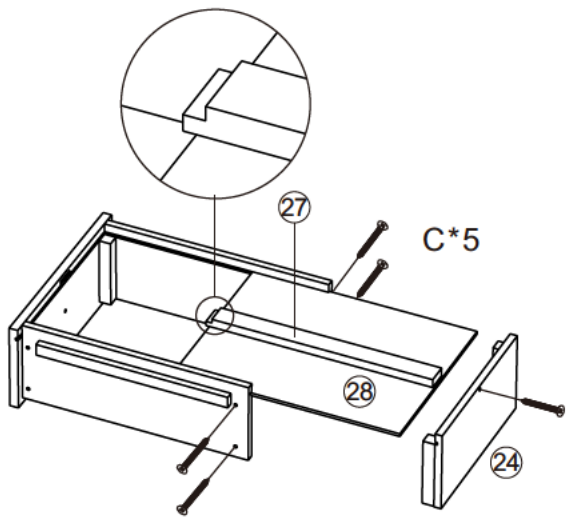
K*1



Step 10



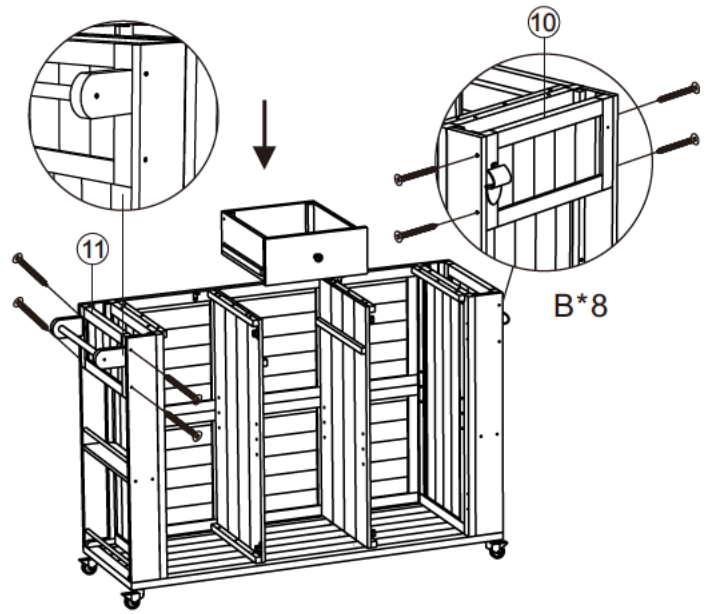
C*4



Step 11



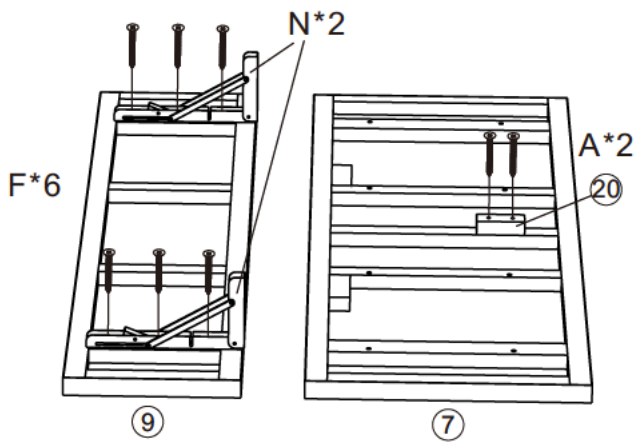
C*5



Step 12



B*8



Step 13



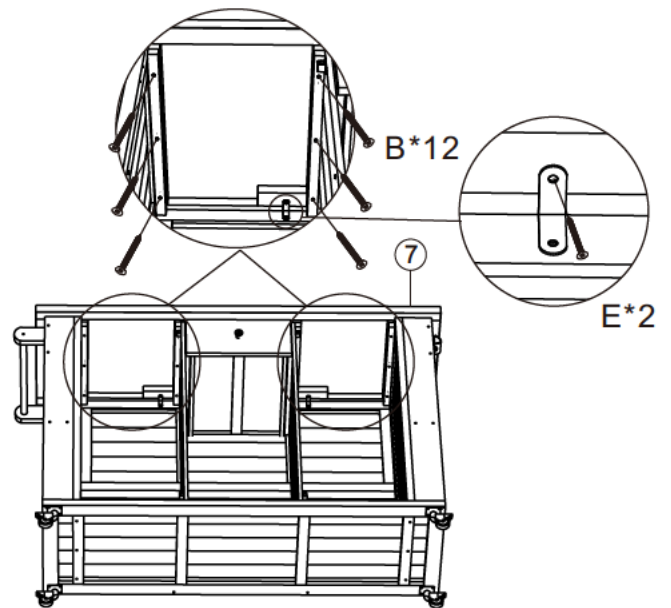
A*2



F*6



N*2



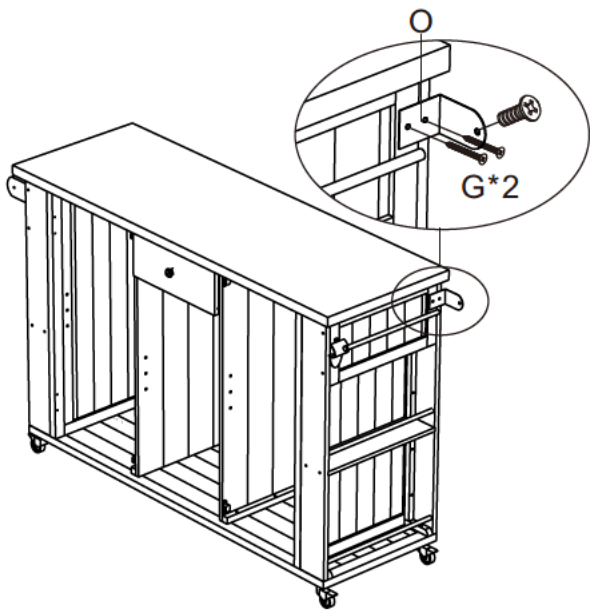
Step 14



B*12



E*2



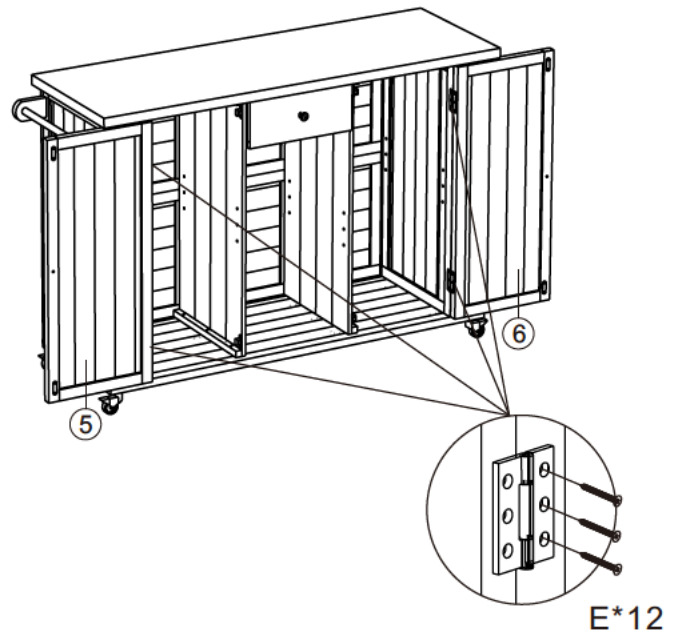
Step 15



G*2



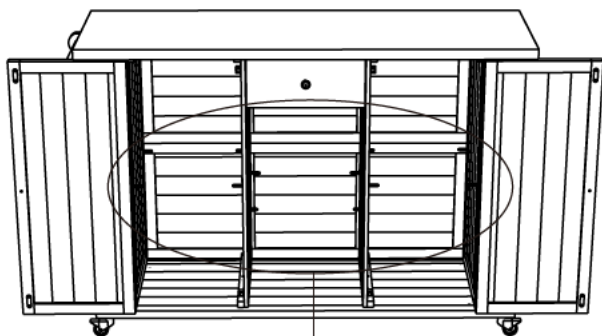
O*1



Step 16



E*12

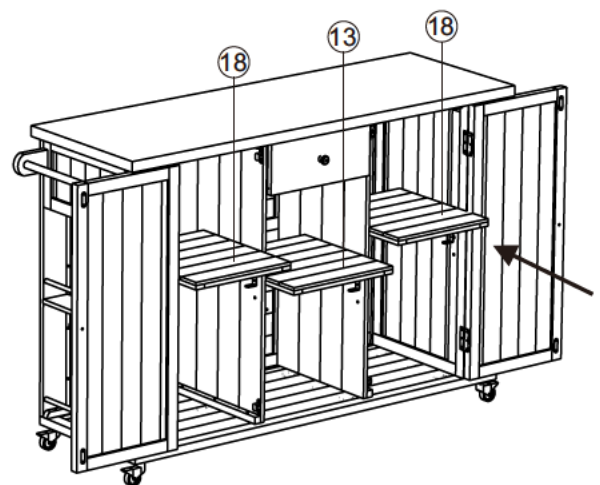


Step 17

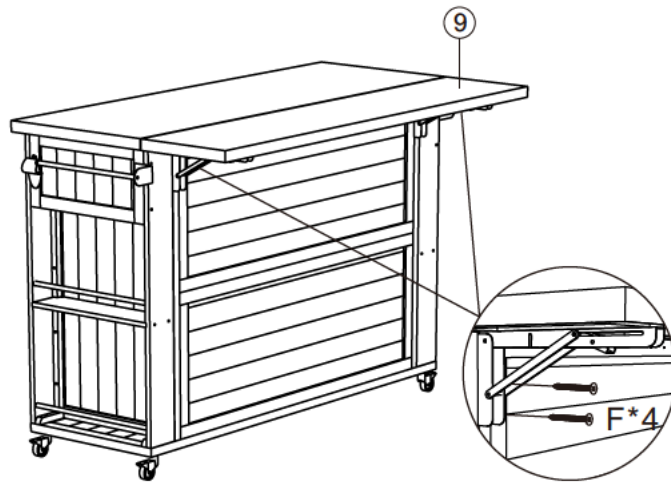
J*12



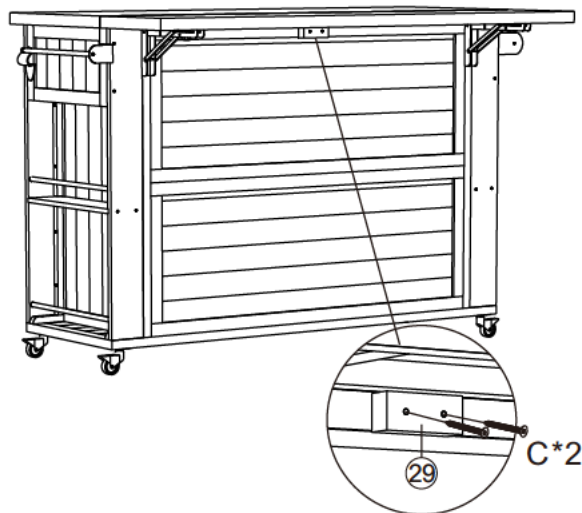
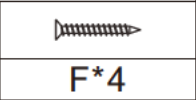
J*12



Step 18



Step 19



Step 20

