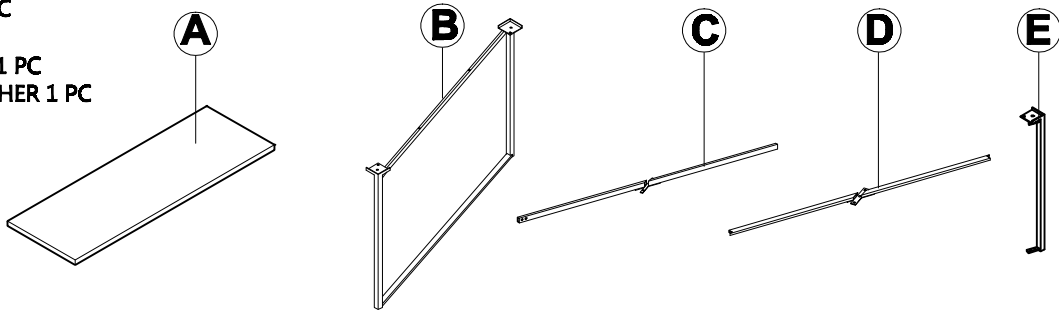


SAXON CONSOLE TABLE ASSEMBLY INSTRUCTIONS

PARTS PACKING CONFIGURATIONS

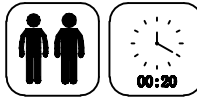
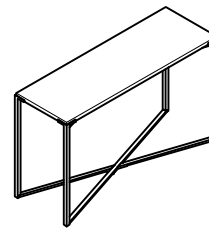
- A. MARBLE TOP 1 PC
- B. SIDE FRAME 1 PC
- C. TOP STRETCHER 1 PC
- D. BOTTOM STRETCHER 1 PC
- E. LEG 2 PCS



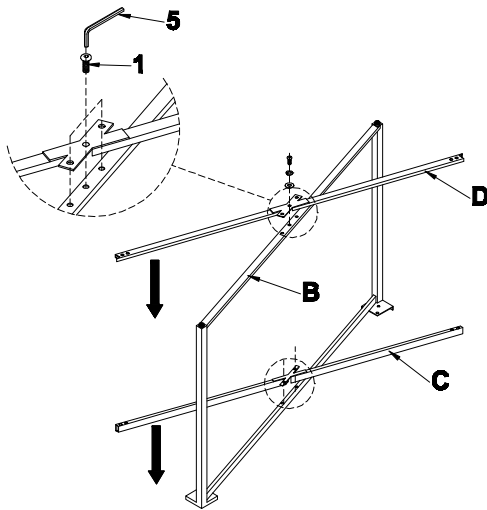
HARDWARE ENCLOSED IN CARTON

| No | Description | Photo | Quantity |
|----|------------------------|-------|----------|
| 1 | ALLEN BOLT (1/4 x10mm) | | 13 PCS |
| 2 | ALLEN BOLT (1/4x3/4) | | 8 PCS |
| 3 | LOCK WASHER (1/4) | | 8 PCS |
| 4 | FLAT WASHER (1/4) | | 8 PCS |
| 5 | ALLEN KEY | | 1 PC |

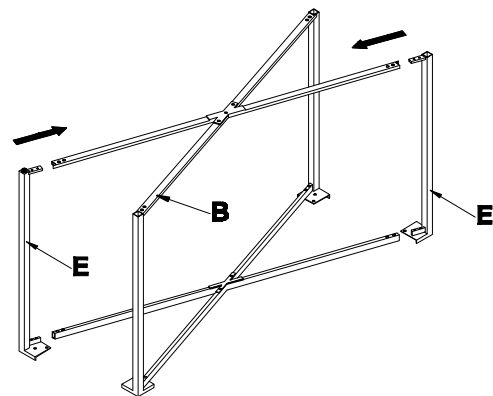
SAXON CONSOLE TABLE FULLY ASSEMBLED



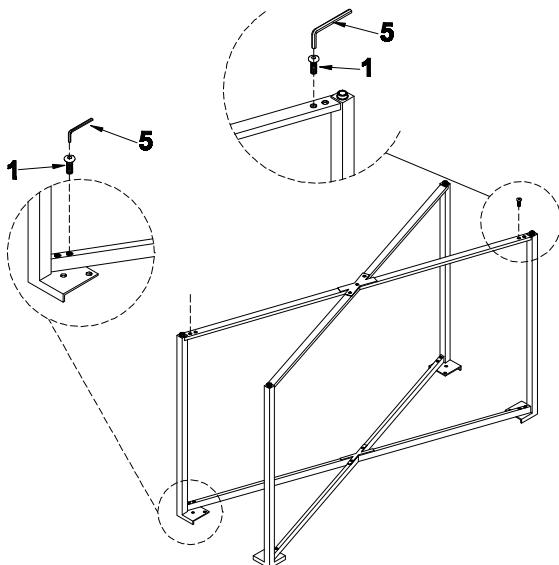
STEP 1:



STEP 2:

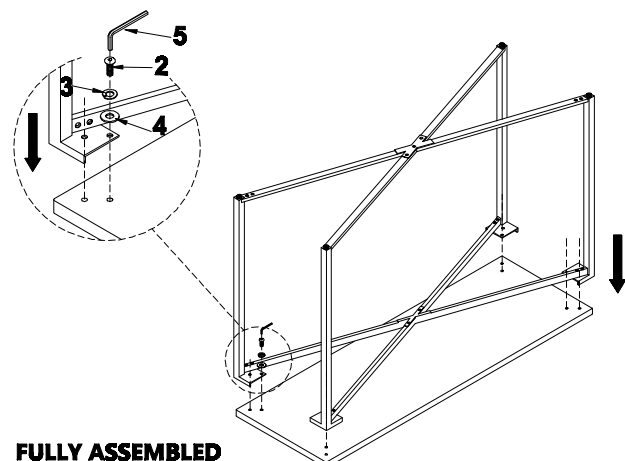


STEP 3:



STEP 4:

BEFORE ATTACHING BASE TO TOP, ENSURE MARBLE TOP IS PLACED ON A CLEAN, FLAT SURFACE FREE OF DEBRIS TO PREVENT SCRATCHES



FULLY ASSEMBLED