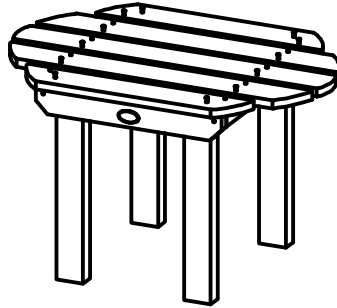
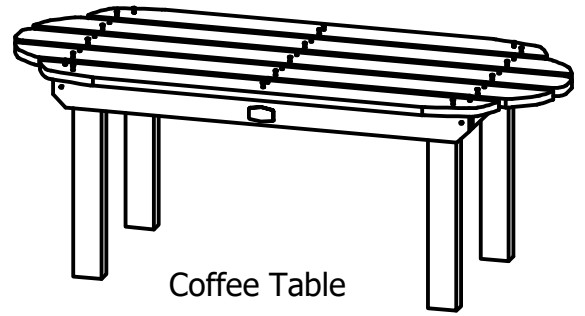


Side/Coffee Table

Assembly Guide



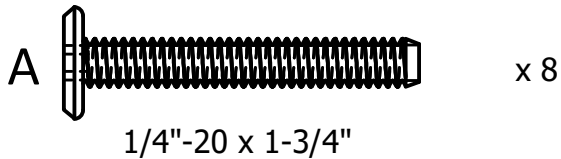
Side Table



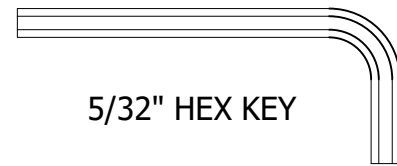
Coffee Table

*Actual Style May Vary from the One Pictured in this Guide

HARDWARE INCLUDED



TOOLS INCLUDED



IMPORTANT!

DO NOT fully tighten bolts until all bolts are started.

- 1)** Place Table Top on flat surface with Top facing down as shown.
- 2)** Attach Legs to one side of Table Top using (2) "A" Bolts in each Leg as shown.
- 3)** Repeat Step 2 on other side of Table.

