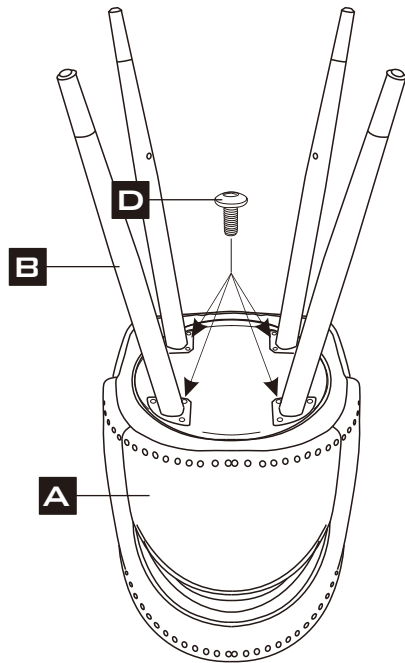
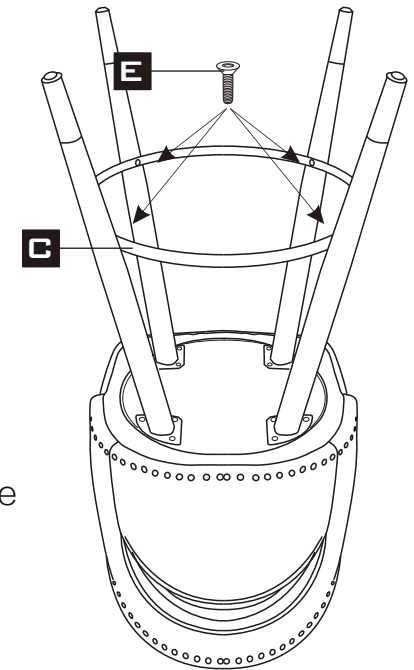


ASSEMBLY INSTRUCTION



① Insert the screws (D) into the designated holes and tighten them, ensuring they are secure but not overly tight. Around 90% tightness is sufficient.



② Place the screws (E) into their respective holes and fasten them securely, avoiding excessive tightening. Aim for approximately 90% tightness.

③ Stand the chair upright and verify that it is level before proceeding to tighten all screws. Then, fully tighten all screws to 100%.

