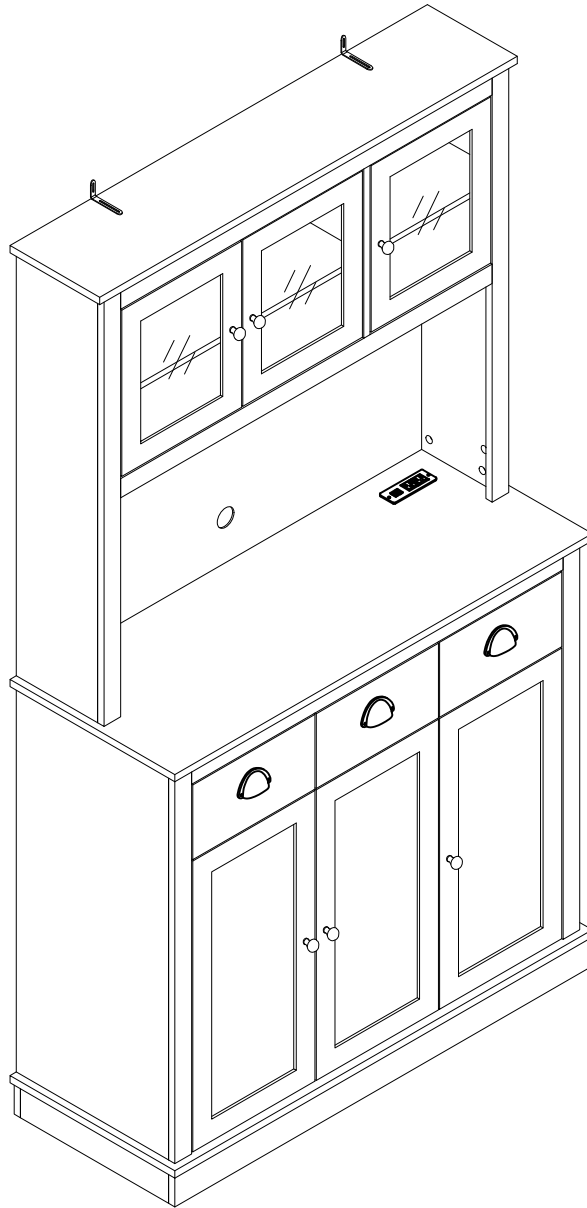
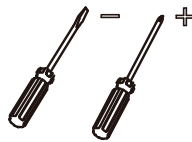


NFN144



2 person



tools require



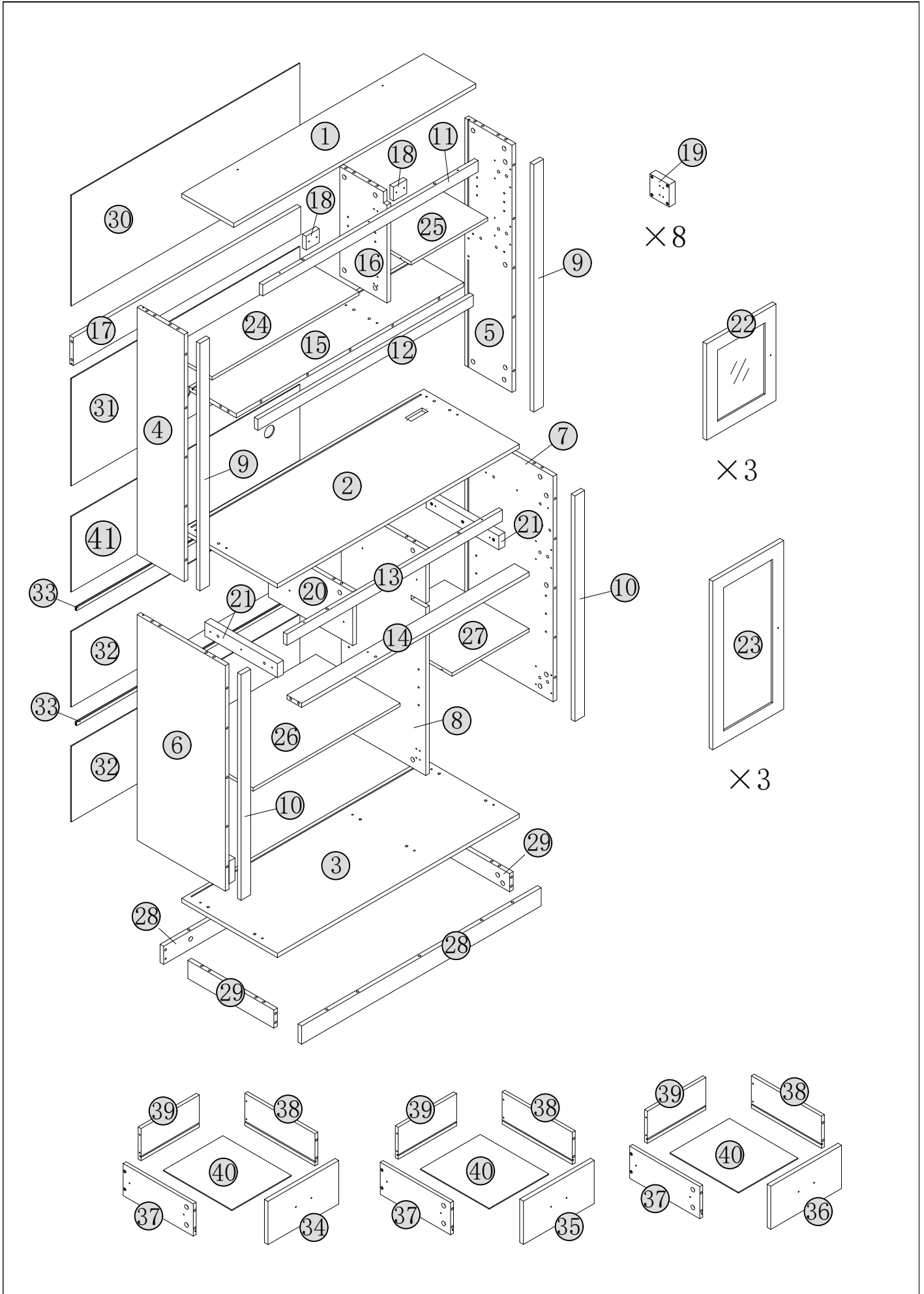
2 hours need



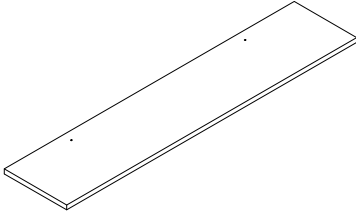
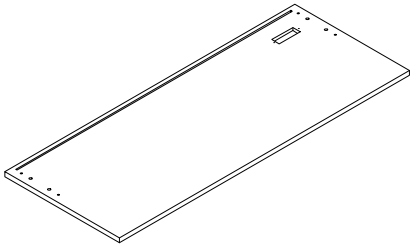
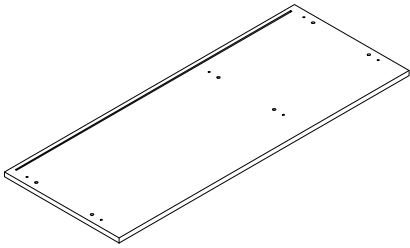
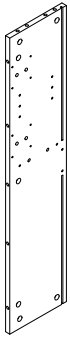
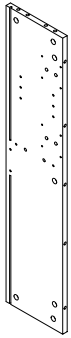
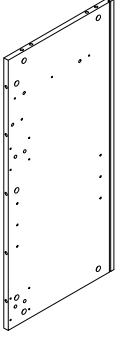
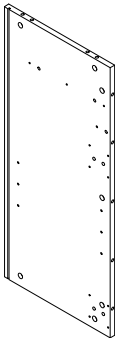
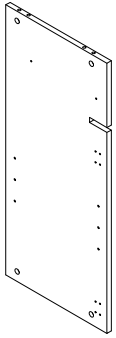
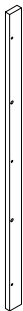

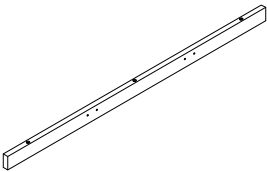
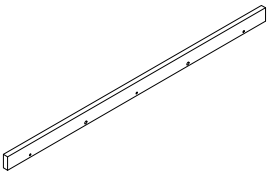
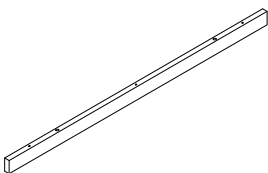
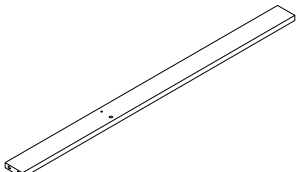
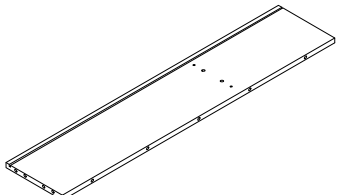
**PLEASE BE CAREFUL DO NOT DAMAGE THE HOLE POSITION
WHEN YOU USE POWER TOOLS !**

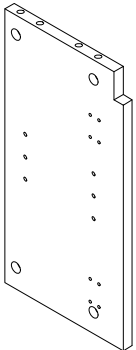
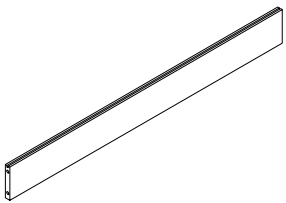
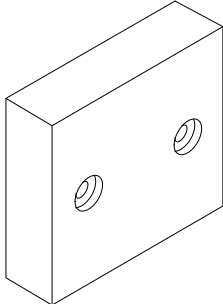
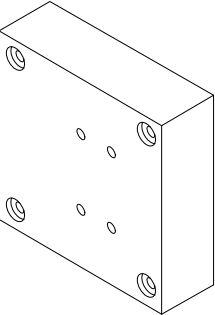
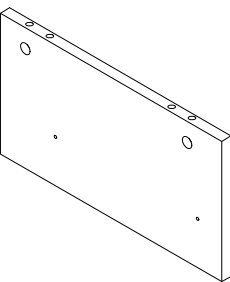
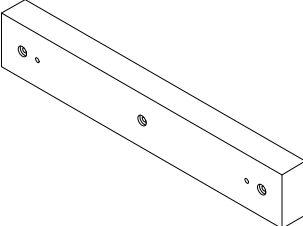
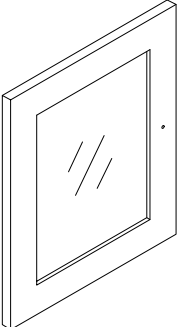
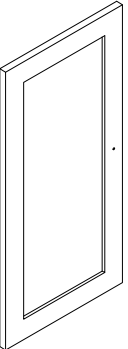
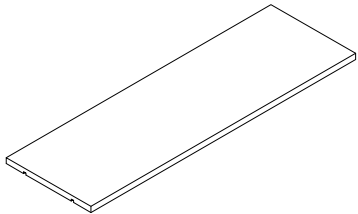
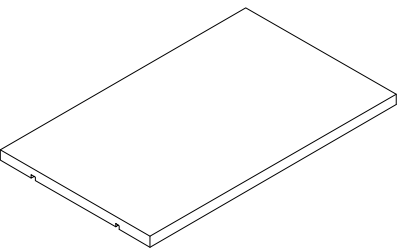
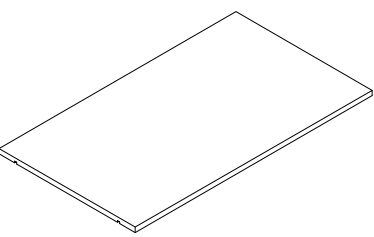
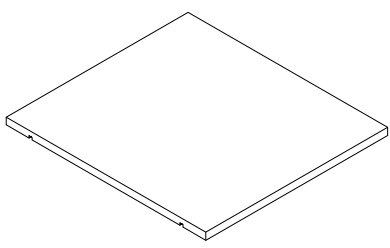
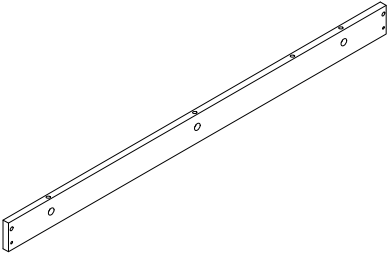
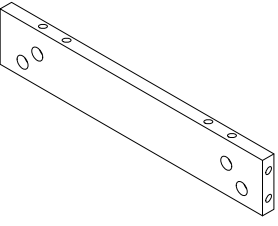
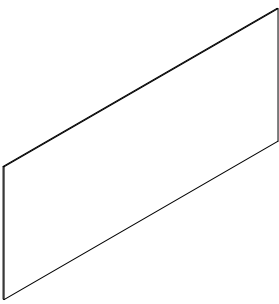
E-mail: service@replycenter.net

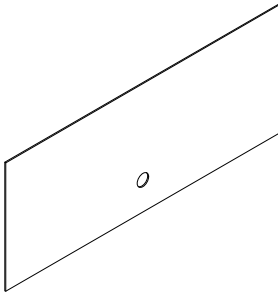
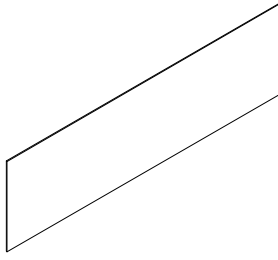
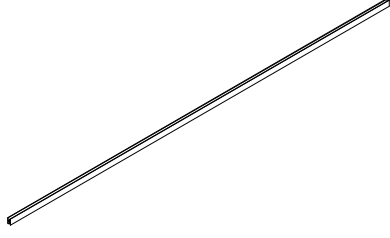
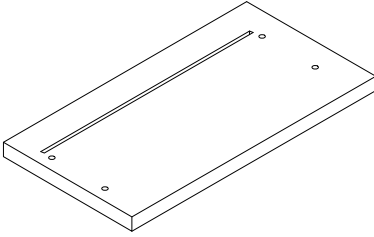
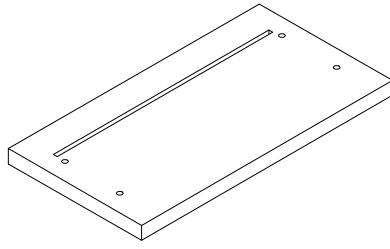
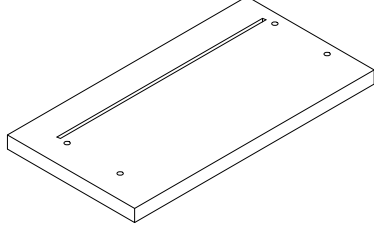
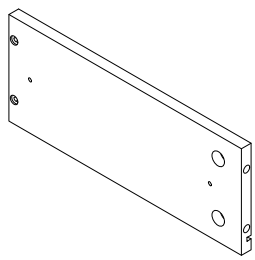
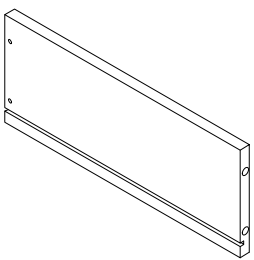
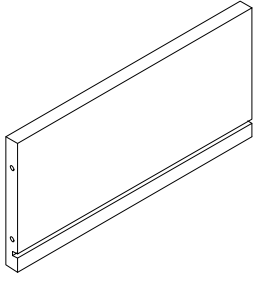
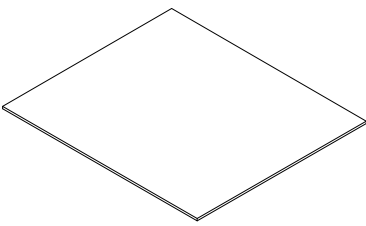
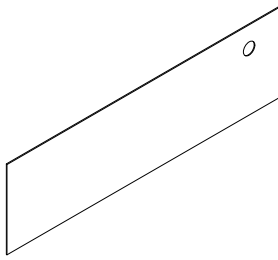
EXPLODED DRAWING



PARTS

<p>①</p>  <p>1PC</p>	<p>②</p>  <p>1PC</p>	<p>③</p>  <p>1PC</p>
<p>④</p>  <p>1PC</p>	<p>⑤</p>  <p>1PC</p>	<p>⑥</p>  <p>1PC</p>
<p>⑦</p>  <p>1PC</p>	<p>⑧</p>  <p>1PC</p>	<p>⑨</p>  <p>2PCS</p>
<p>⑩</p>  <p>2PCS</p>	<p>⑪</p>  <p>1PC</p>	<p>⑫</p>  <p>1PC</p>
<p>⑬</p>  <p>1PC</p>	<p>⑭</p>  <p>1PC</p>	<p>⑮</p>  <p>1PC</p>

<p>①⑥</p>  <p>1PC</p>	<p>①⑦</p>  <p>1PC</p>	<p>①⑧</p>  <p>2PCS</p>
<p>①⑨</p>  <p>8PCS</p>	<p>②⑩</p>  <p>1PC</p>	<p>②⑪</p>  <p>2PCS</p>
<p>②②</p>  <p>3PCS</p>	<p>②③</p>  <p>3PCS</p>	<p>②④</p>  <p>1PC</p>
<p>②⑤</p>  <p>1PC</p>	<p>②⑥</p>  <p>1PC</p>	<p>②⑦</p>  <p>1PC</p>
<p>②⑧</p>  <p>2PCS</p>	<p>②⑨</p>  <p>2PCS</p>	<p>③⑩</p>  <p>1PC</p>

<p>31</p>  <p>1PC</p>	<p>32</p>  <p>2PCS</p>	<p>33</p>  <p>2PCS</p>
<p>34</p>  <p>1PC</p>	<p>35</p>  <p>1PC</p>	<p>36</p>  <p>1PC</p>
<p>37</p>  <p>3PCS</p>	<p>38</p>  <p>3PCS</p>	<p>39</p>  <p>3PCS</p>
<p>40</p>  <p>3PCS</p>	<p>41</p>  <p>1PC</p>	

Accessory List

A×6



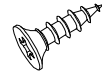
L 290mm

B×6



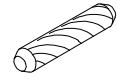
L 290mm

C×24



φ3×12mm

D×79



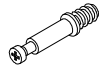
φ8×30mm

E×6



φ4×40mm

F×77



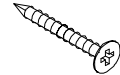
φ6×35mm

G×77



φ15×10mm

H×51



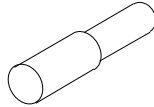
φ4×30mm

I×4

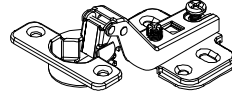


φ4×20mm

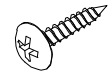
J×16



K×10

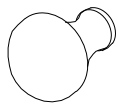


L×74

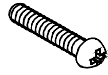


φ4×14mm

M×6



N×6

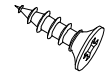


φ4×18mm

O×3

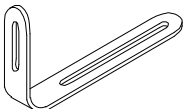


P×8

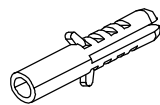


φ3×12mm

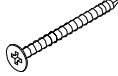
Q×2



R×2

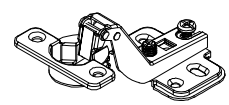


S×2



φ4×40mm

T×2

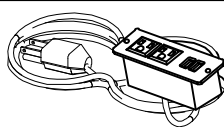


U×10

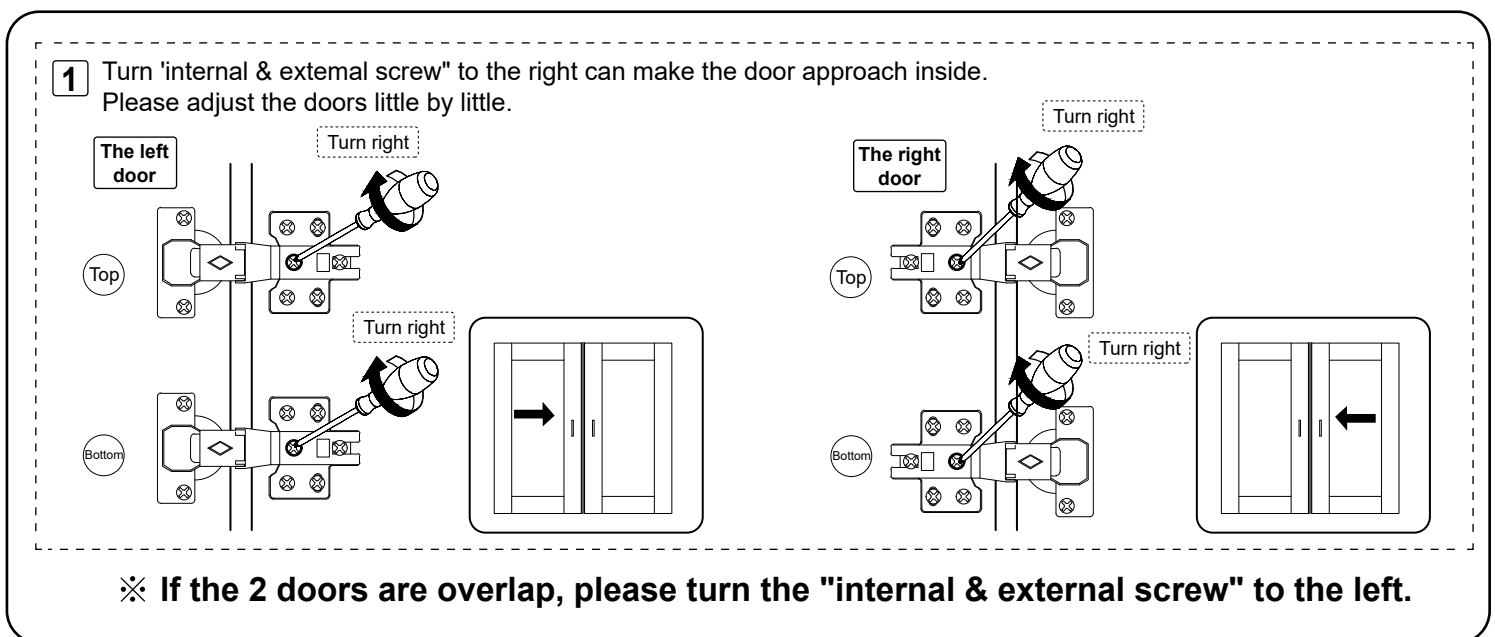
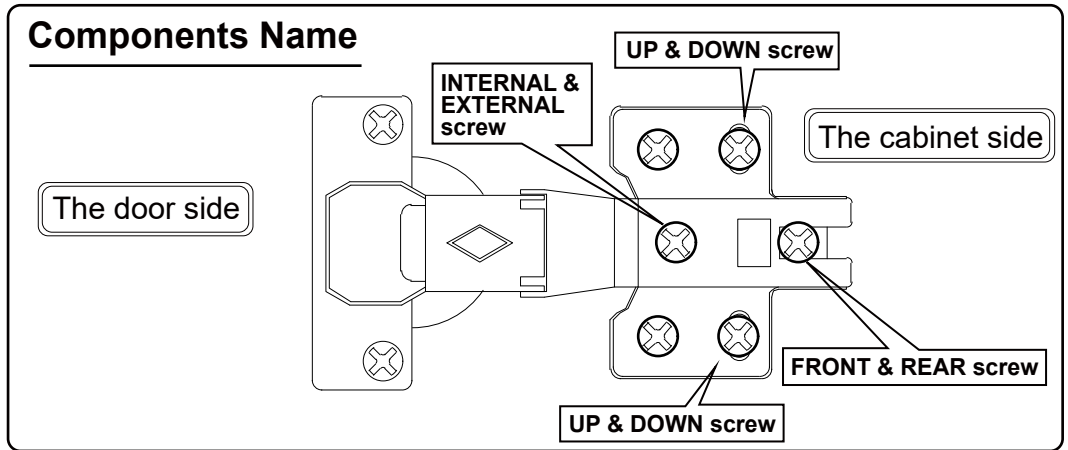
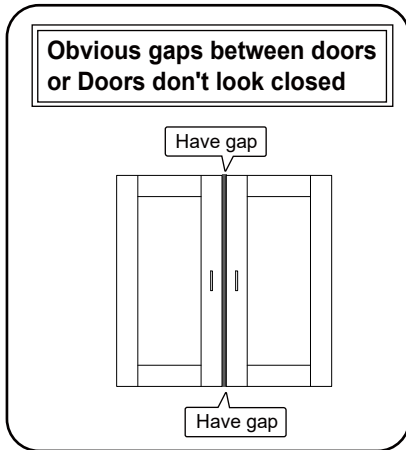


φ3×14mm

V×1



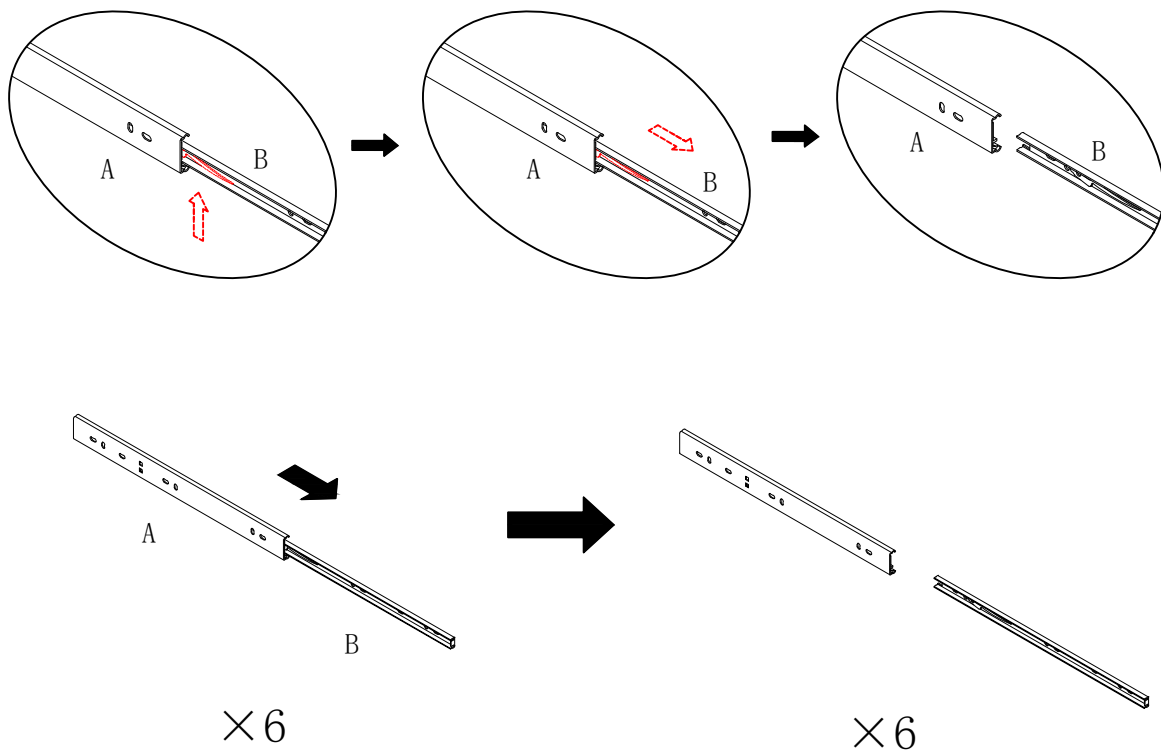
The Ways To Adjust The Door



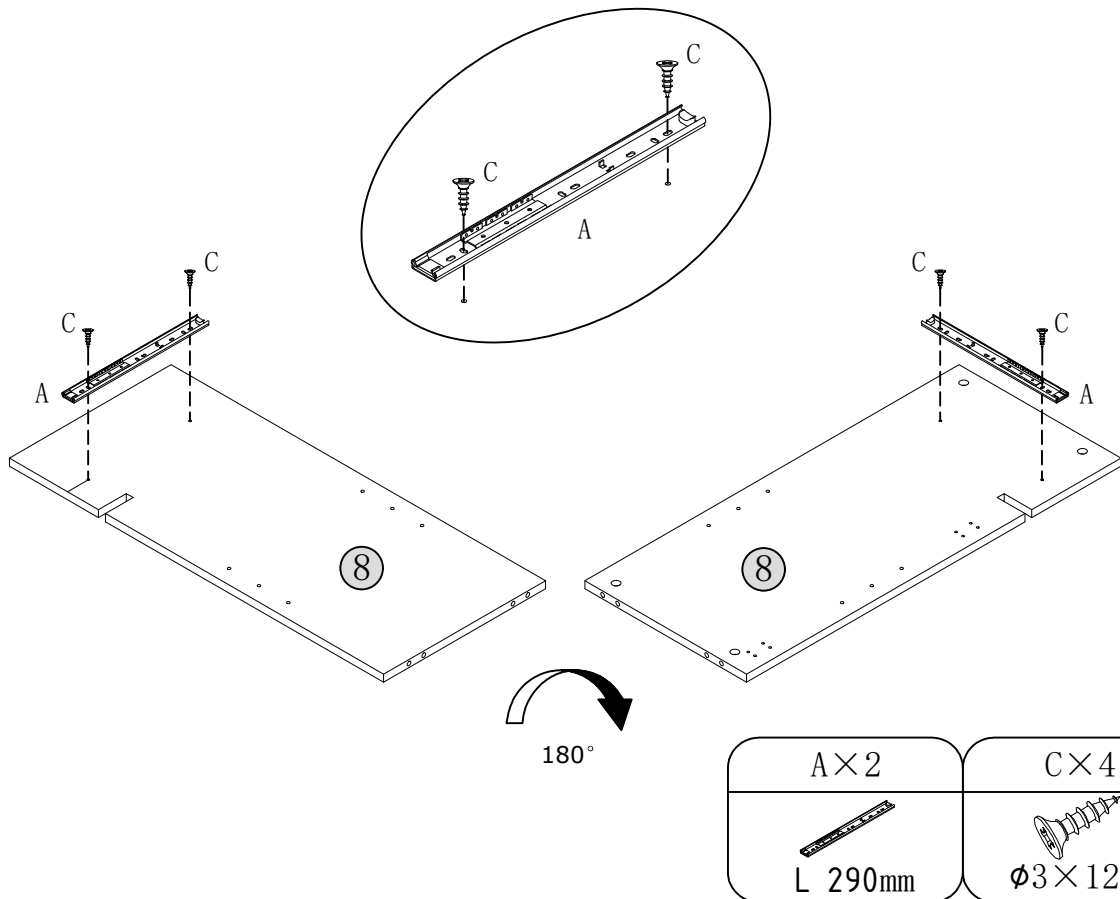
! Warm Note:

- Before adjusting the hinge, please check whether the cabinet is skewed.
- If the skew can not be repaired, please remove the anti-tipping device first, then adjust the cabinet to vertical position.
- Please adjust the hinge with the door open.
- Please operate it with more than 2 people. One person holds the door and the other one adjusts the screw.

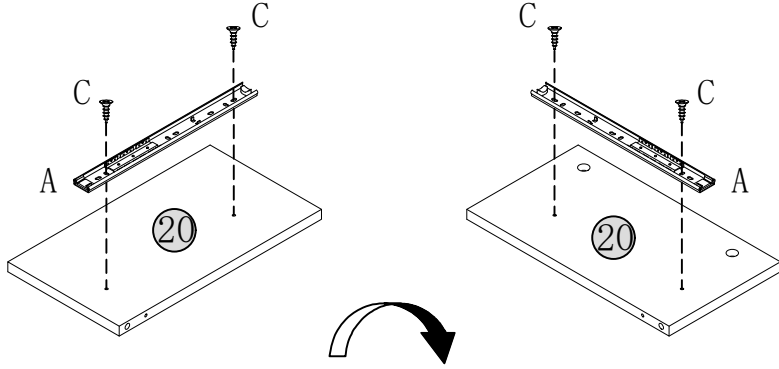
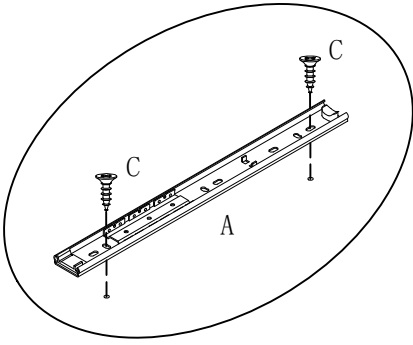
1




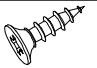
2



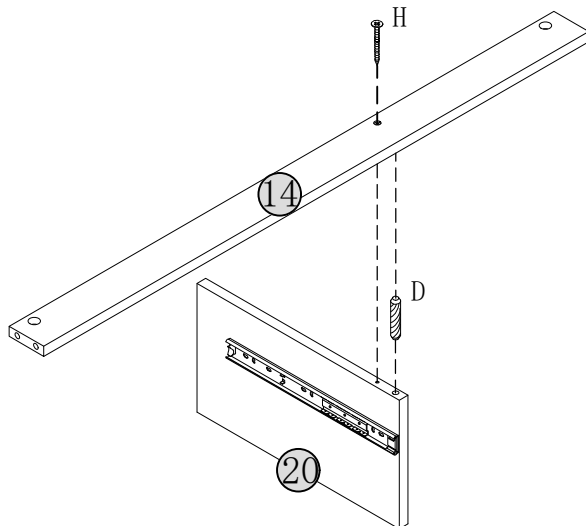
3





180°

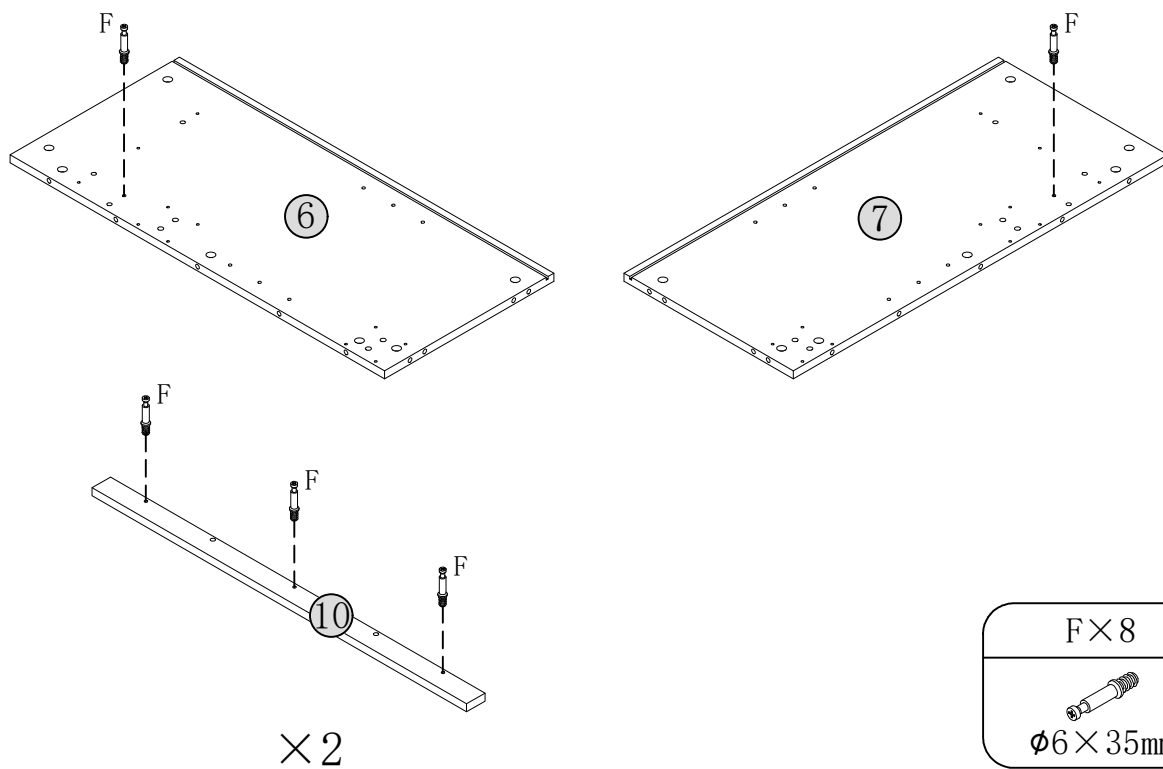
A × 2	C × 4
	
L 290mm	φ3 × 12mm

4

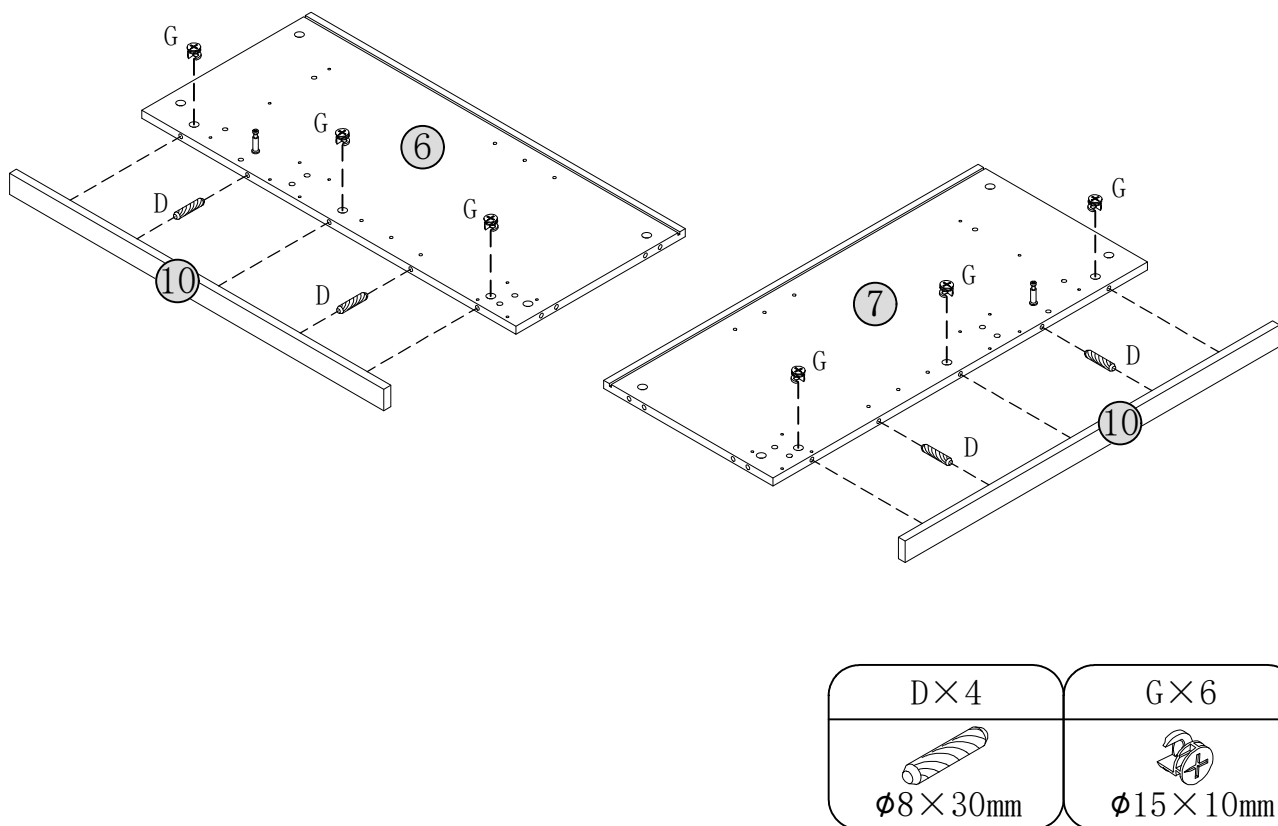


D × 1	H × 1
	
φ8 × 30mm	φ4 × 30mm

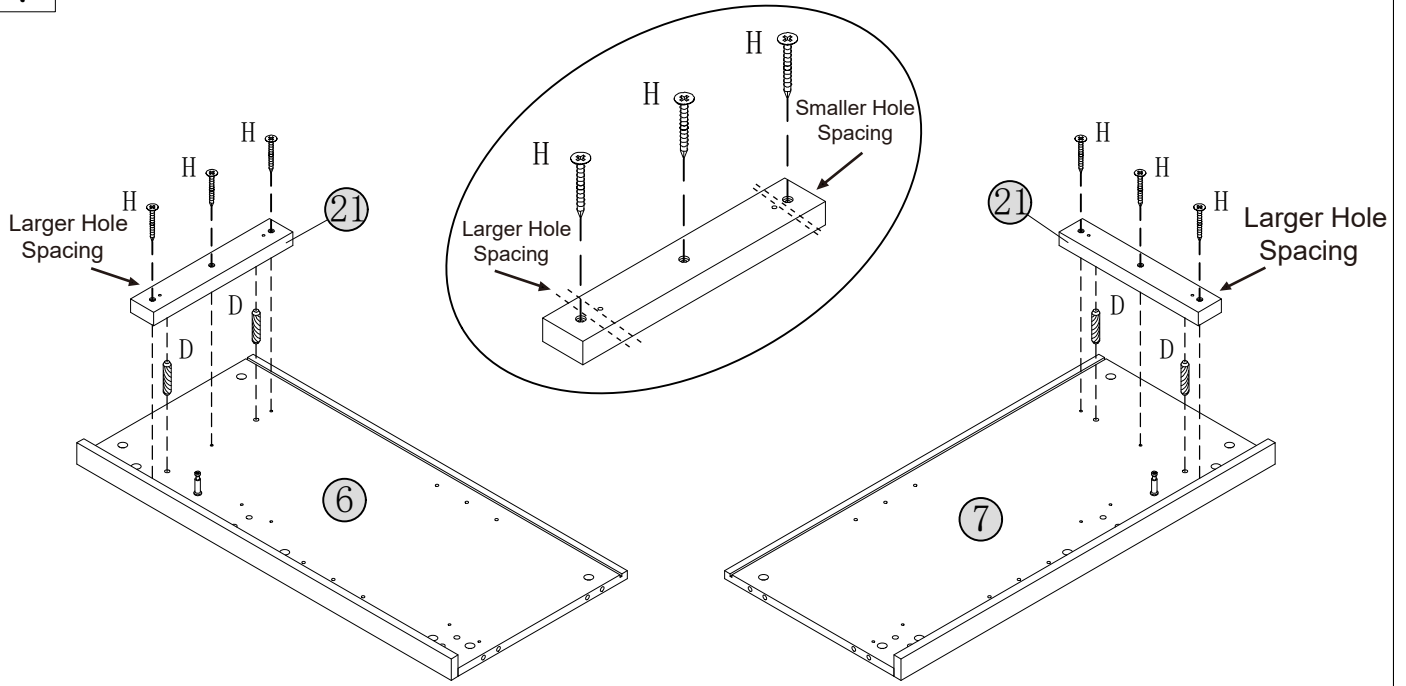
5



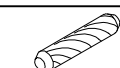
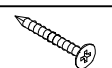
6



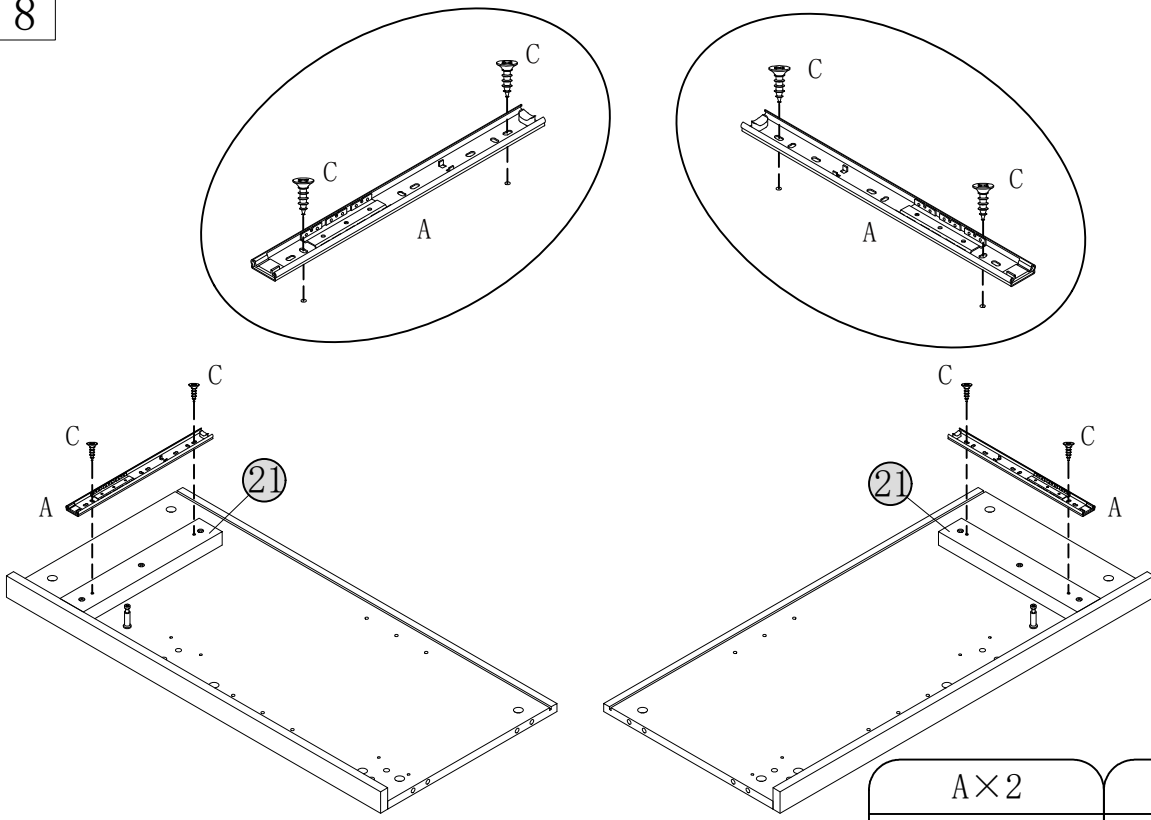
7


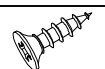


Note: Ensure the side with the larger hole spacing faces Part 10.

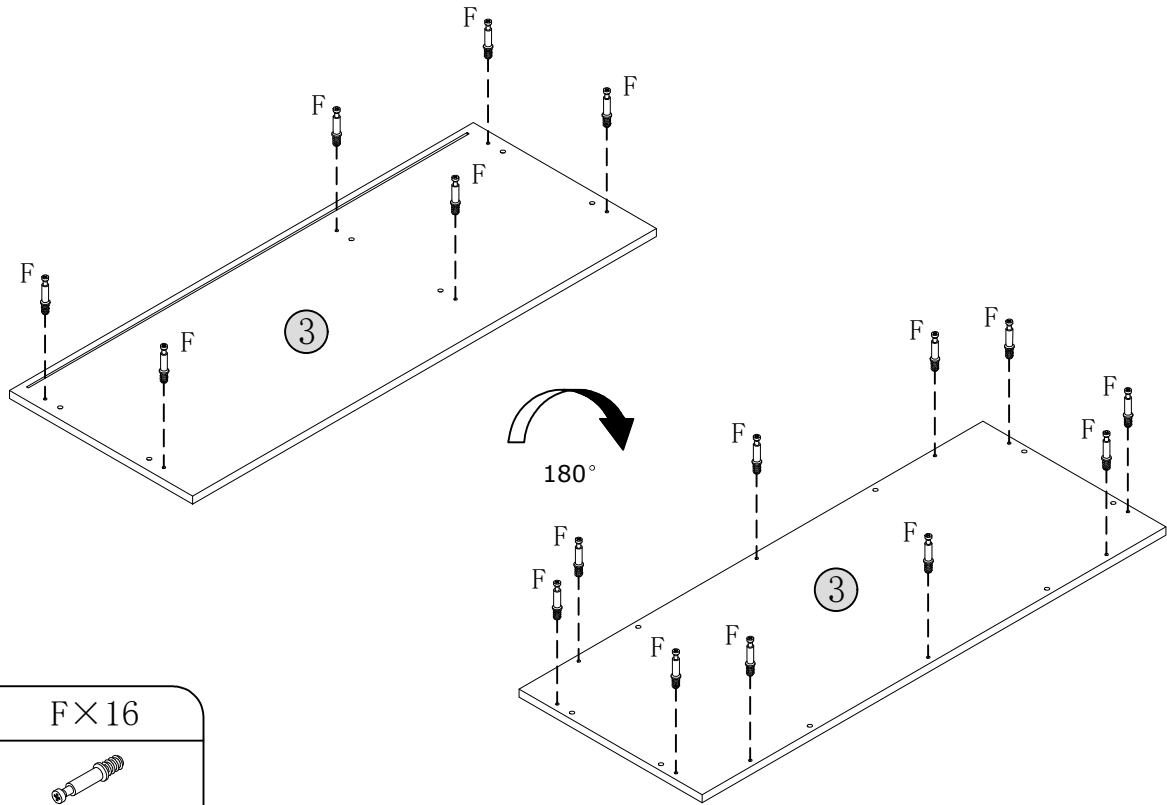
D × 4	H × 6
 φ8 × 30mm	 φ4 × 30mm

8



A × 2	C × 4
 L 290mm	 φ3 × 12mm

9

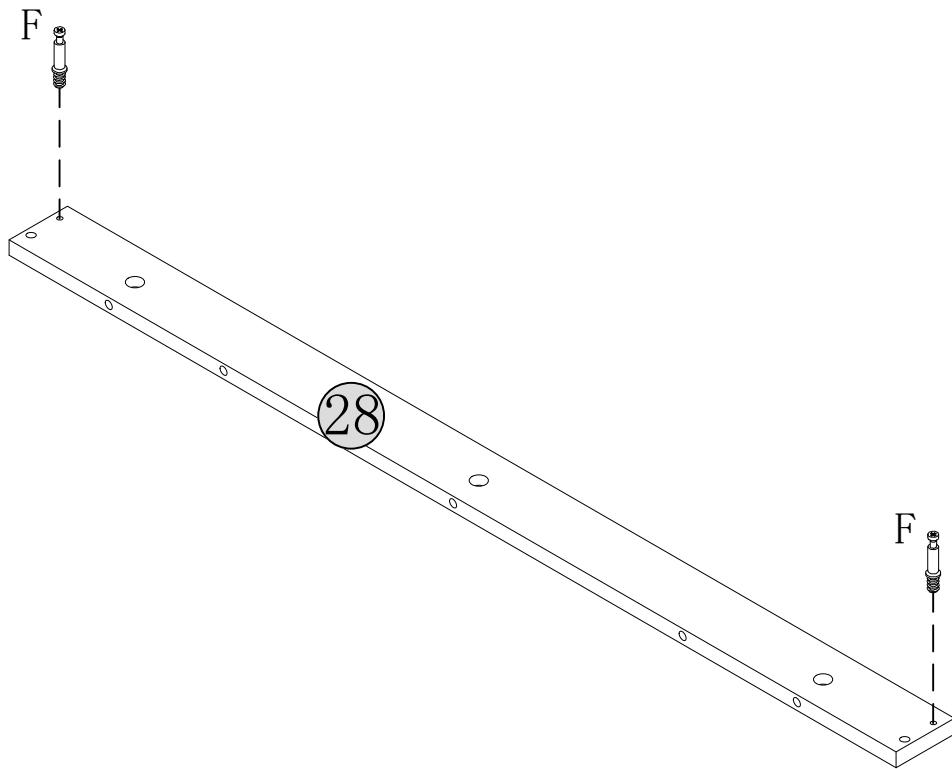


F × 16

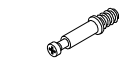


ø6 × 35mm

10



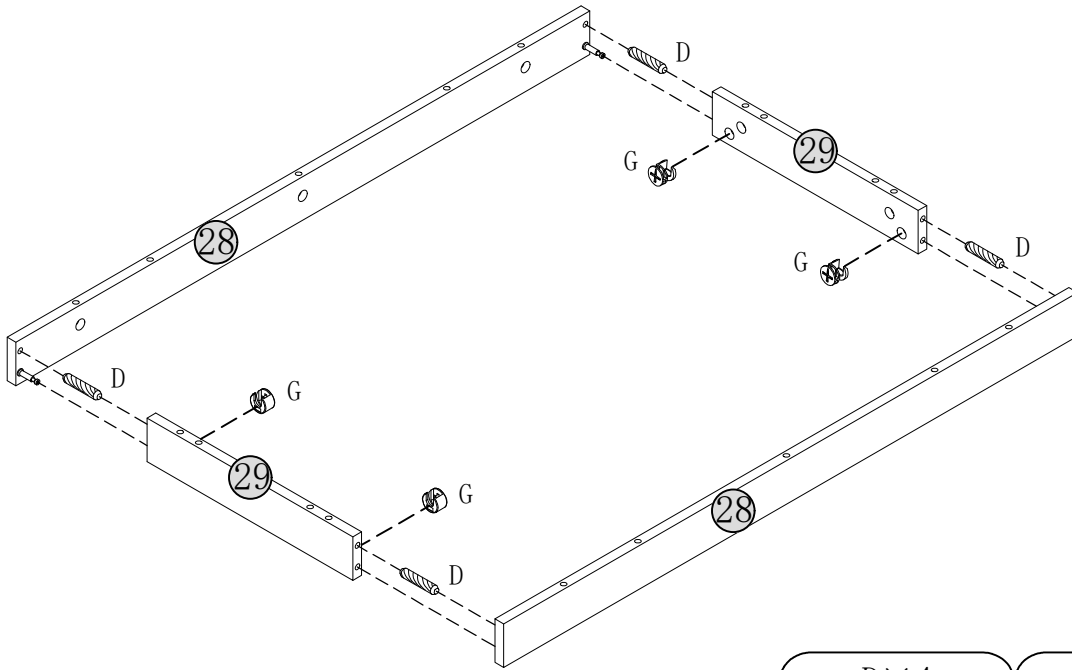
F × 4

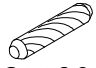



ø6 × 35mm

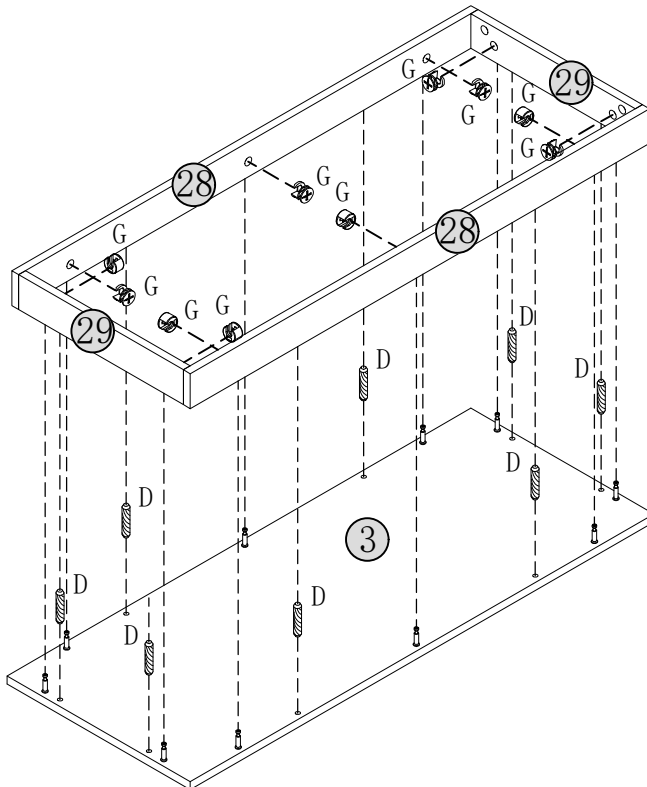
× 2

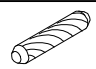

11



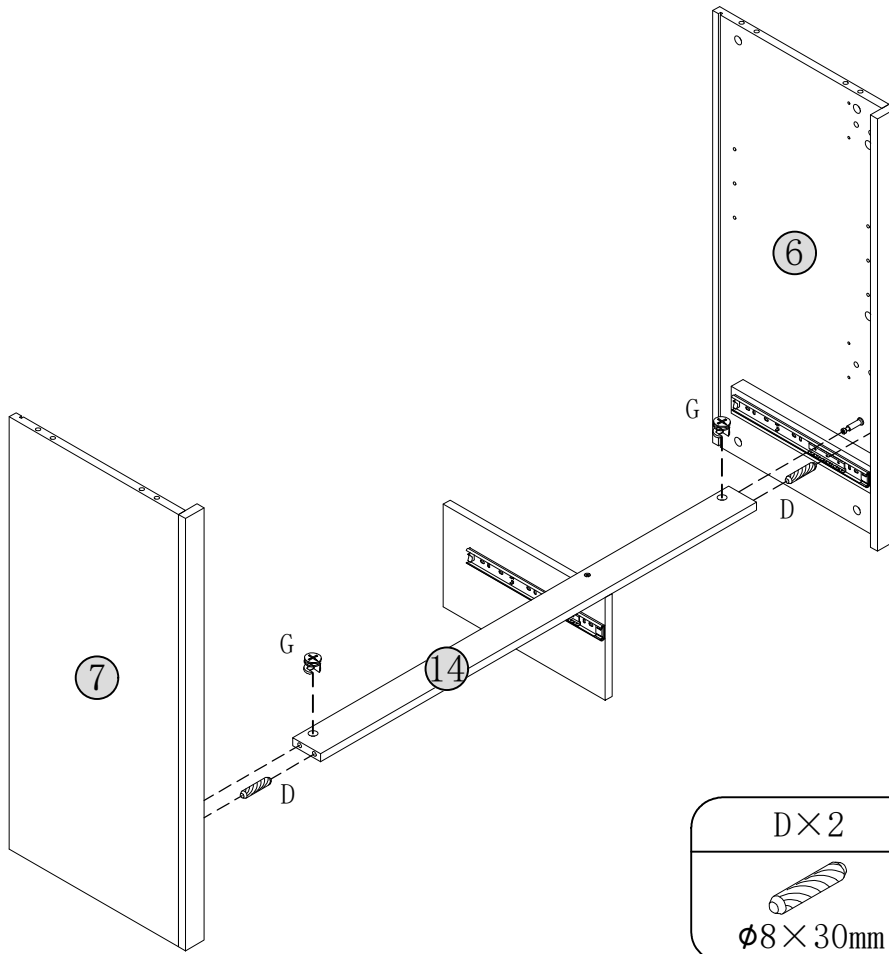
D×4	G×4
	
φ8×30mm	φ15×10mm



12



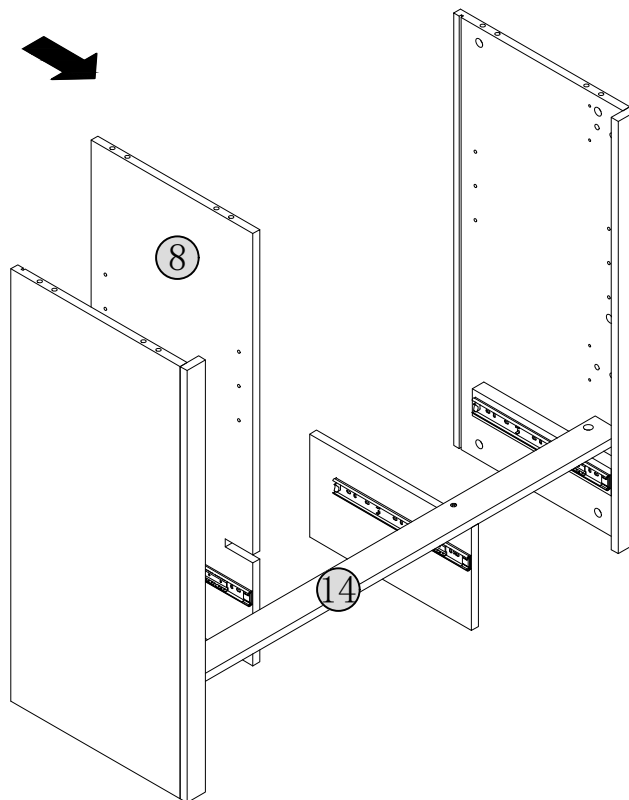
D×8	G×10
	
φ8×30mm	φ15×10mm

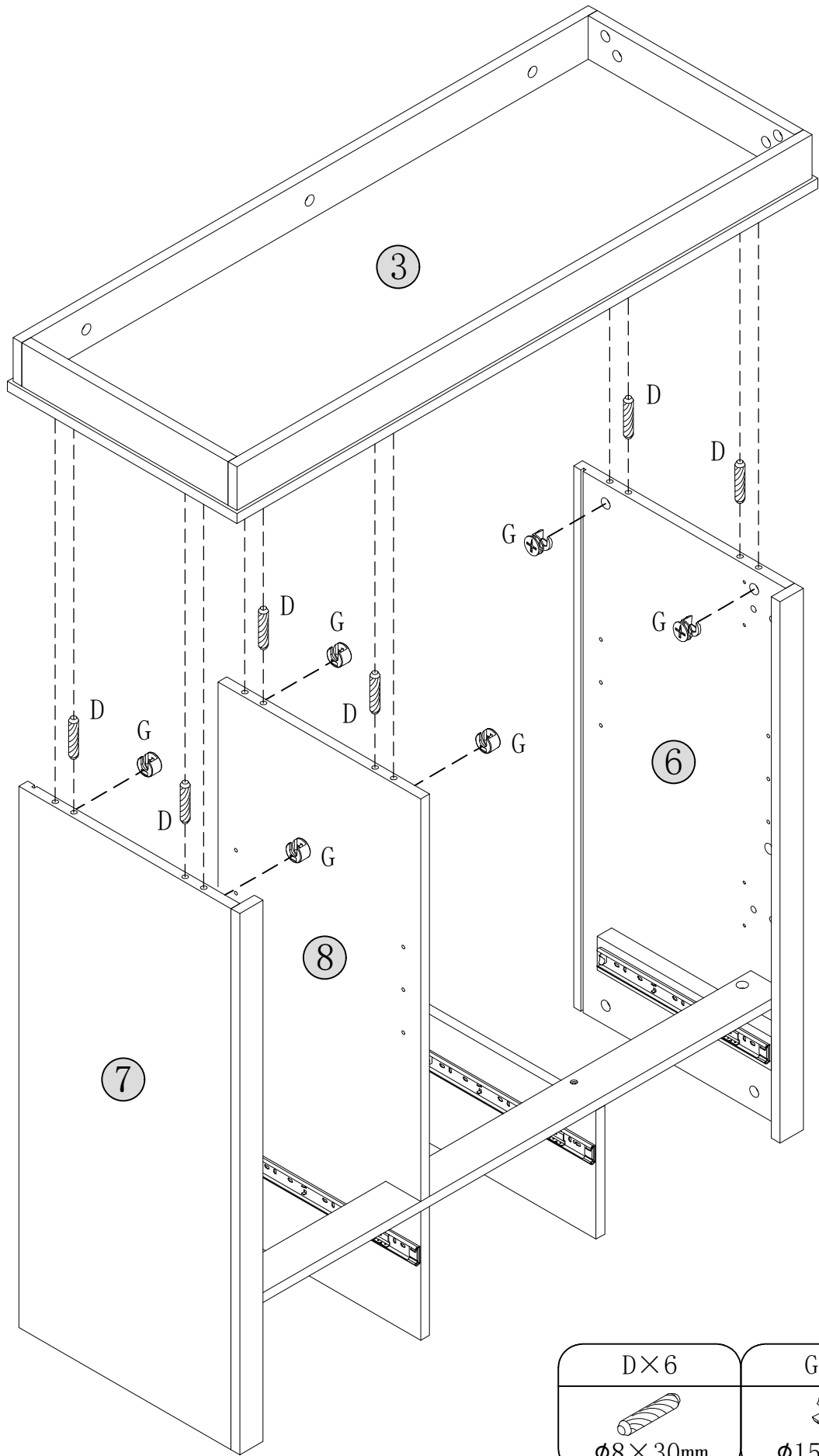
13

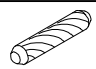



D×2	G×2
	
φ8×30mm	φ15×10mm

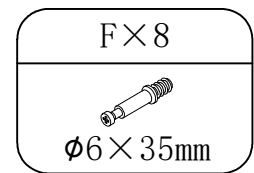
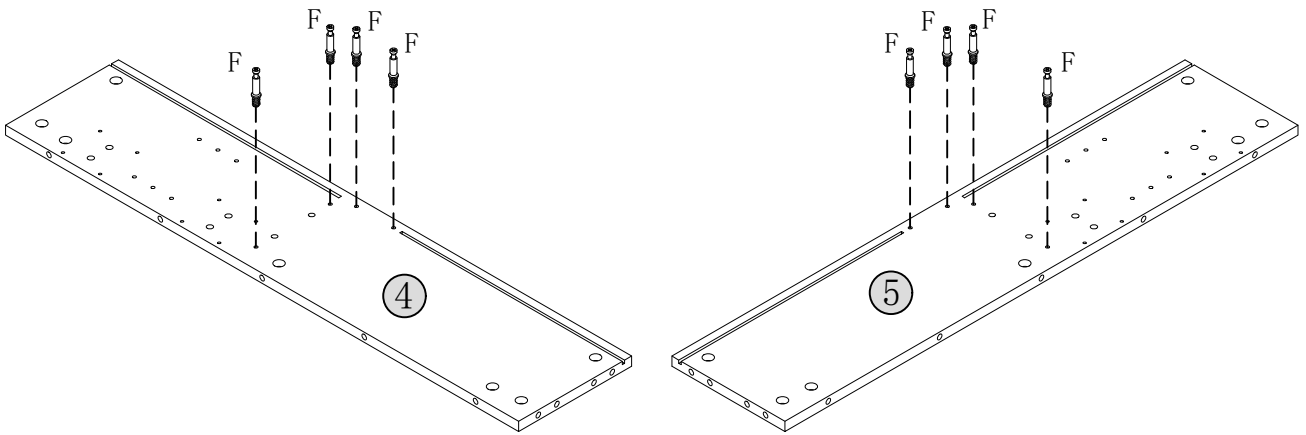
14



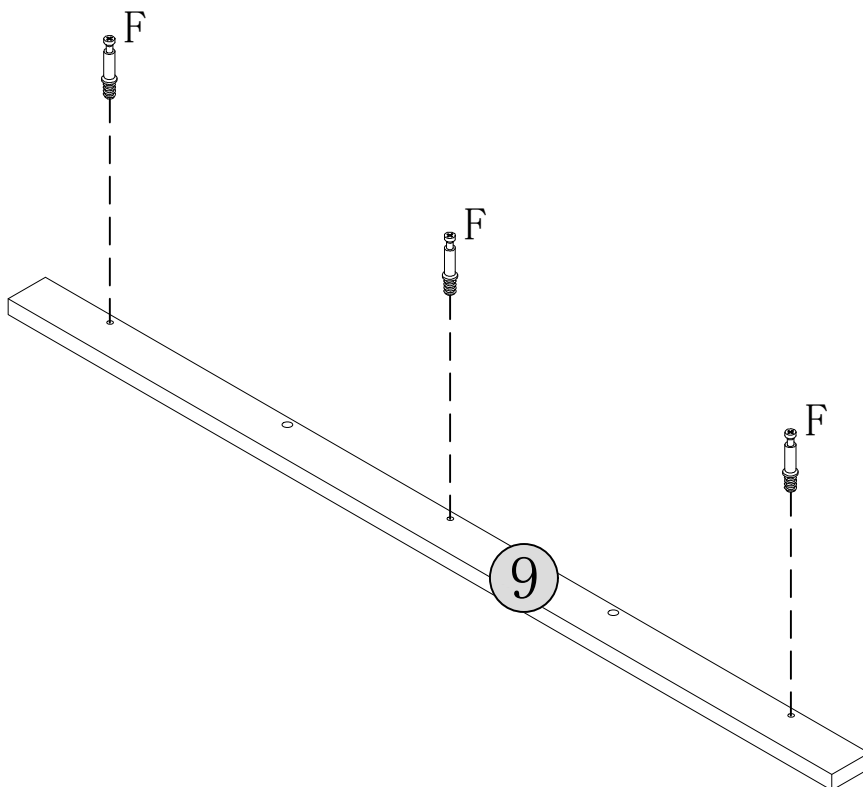


D×6	G×6
	
φ8×30mm	φ15×10mm

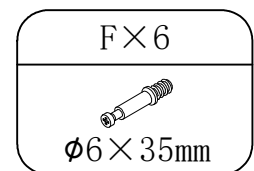
16



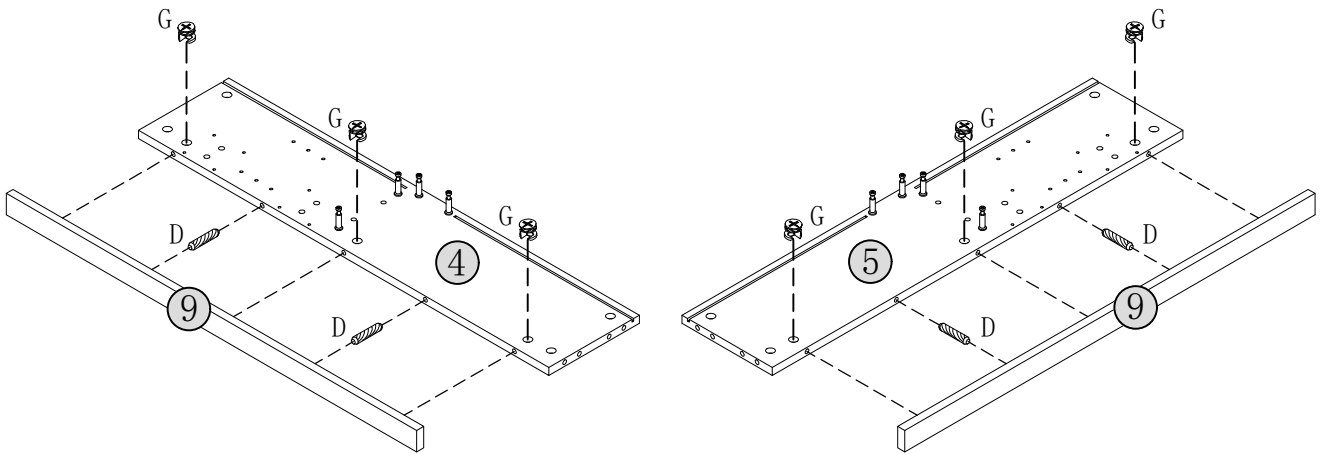
17

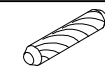



× 2

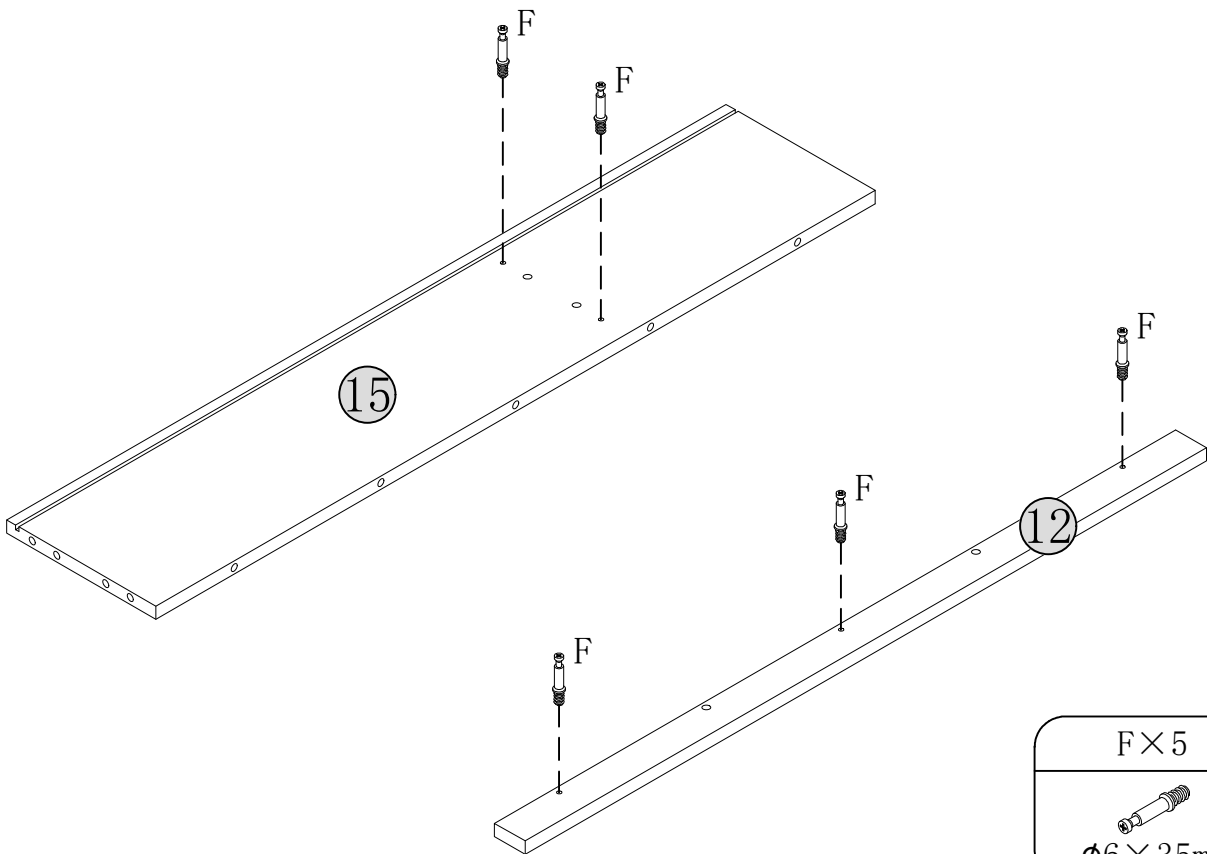



18



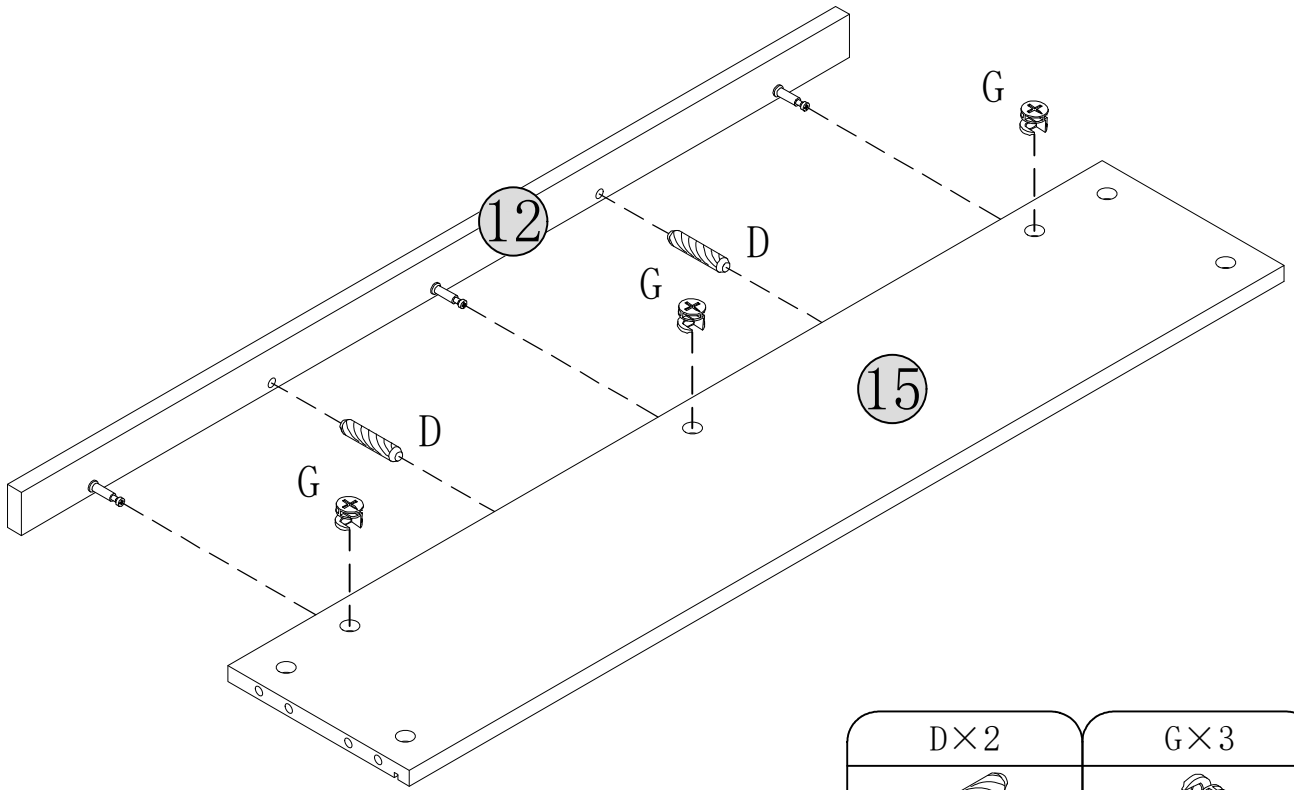
D×4	G×6
	
φ8×30mm	φ15×10mm

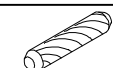

19



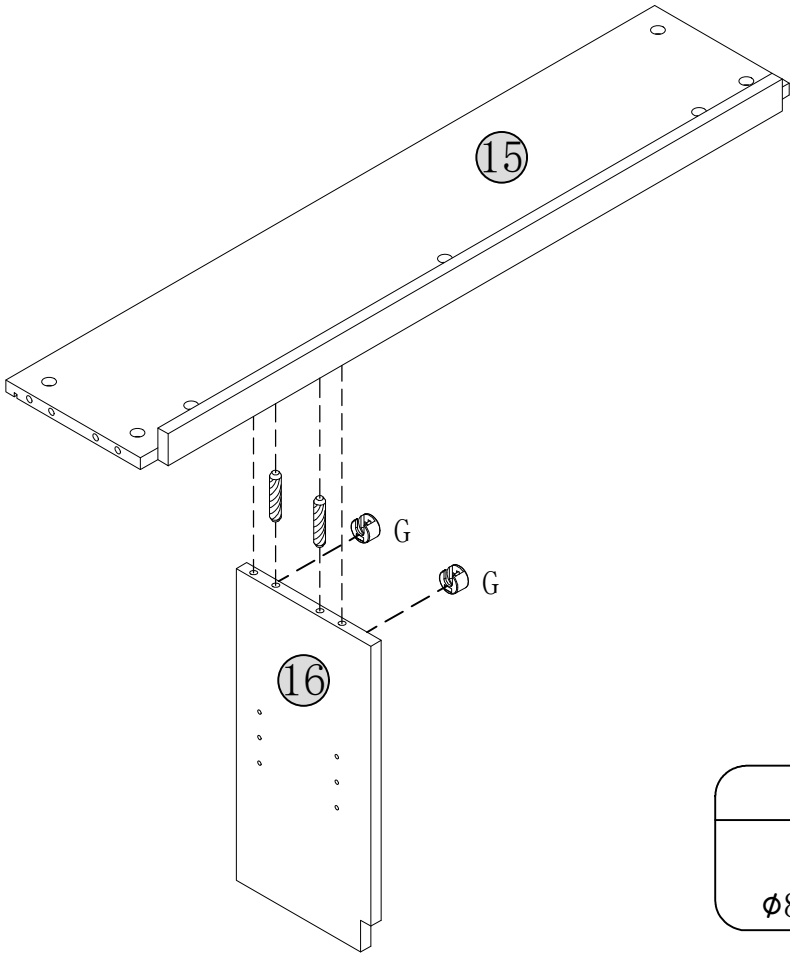
F×5

φ6×35mm

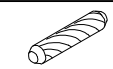

20



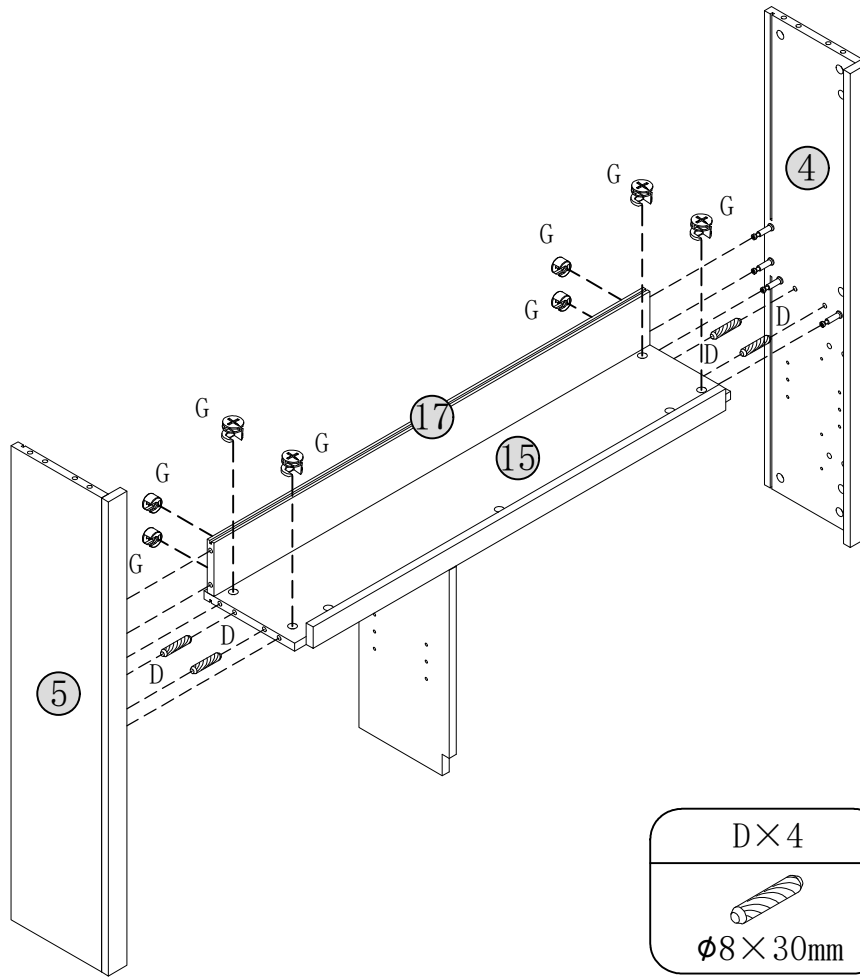
D×2	G×3
	
φ8×30mm	φ15×10mm

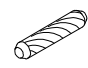

21



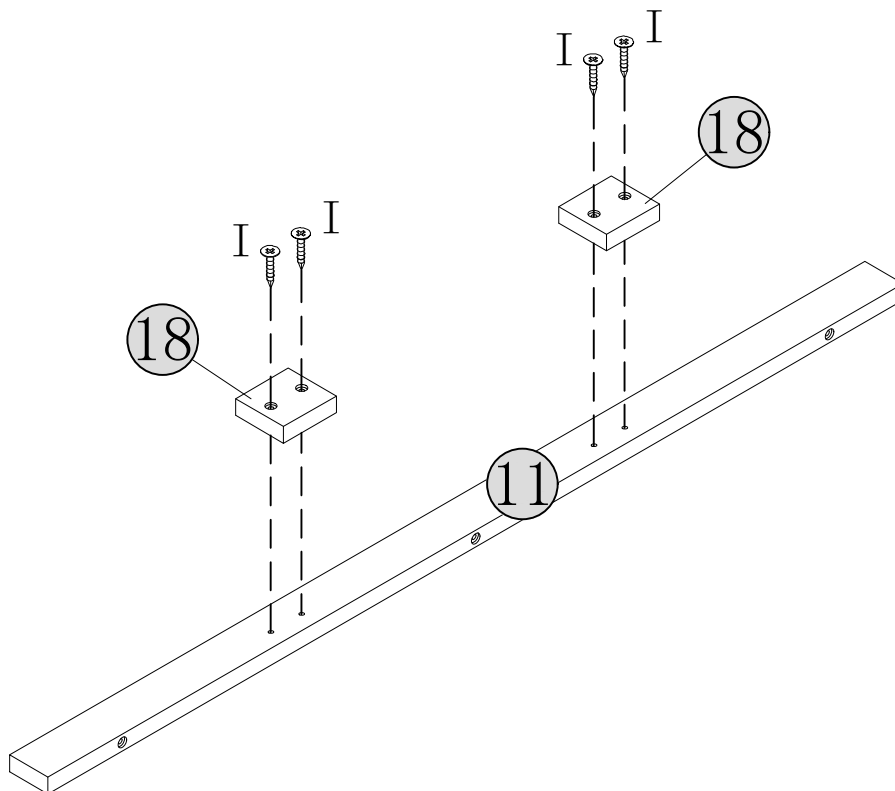
D×2	G×2
	
φ8×30mm	φ15×10mm


22



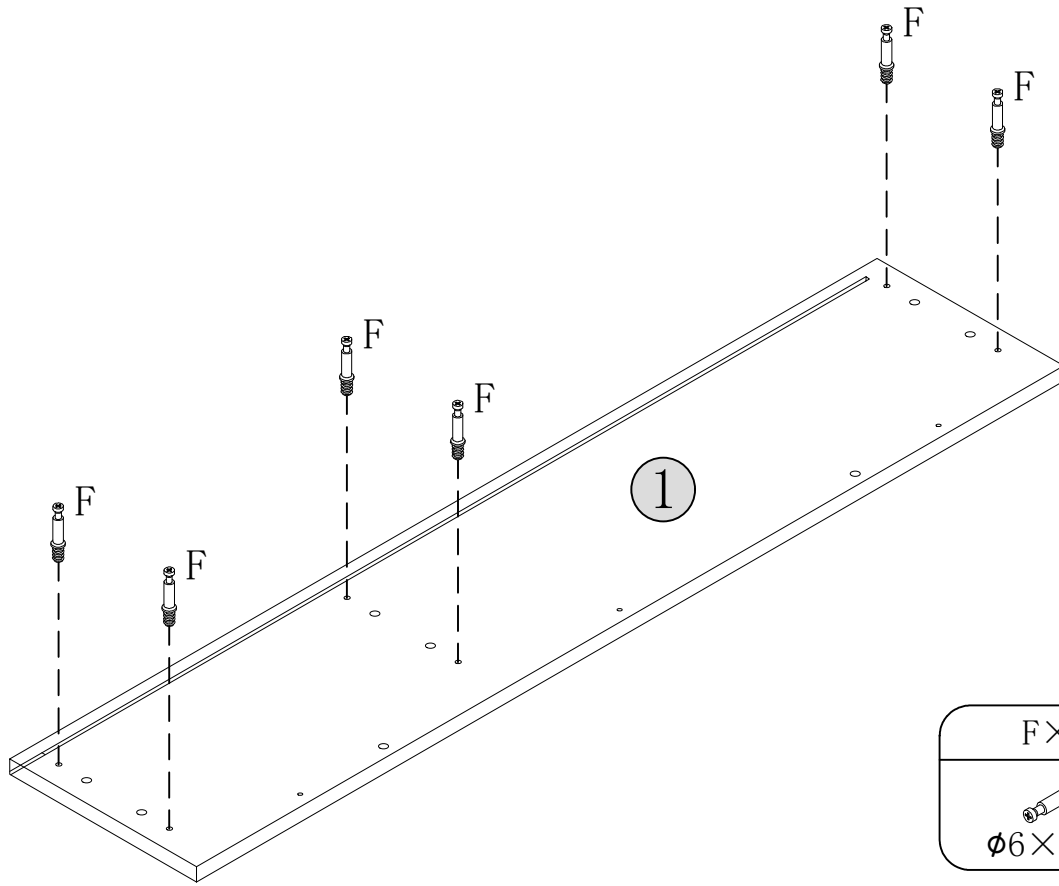
D×4	G×8
	
φ8×30mm	φ15×10mm

23

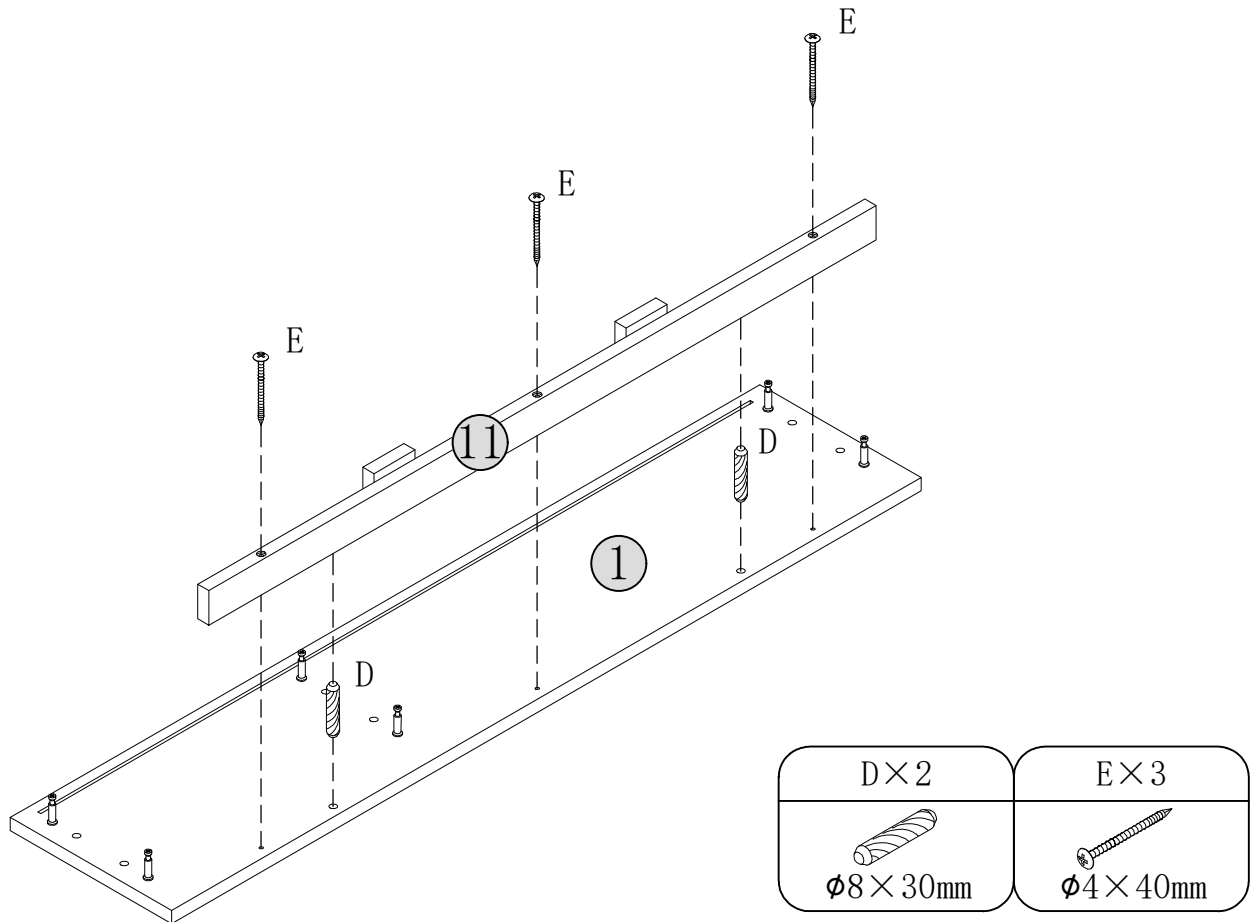


I×4

φ4×20mm

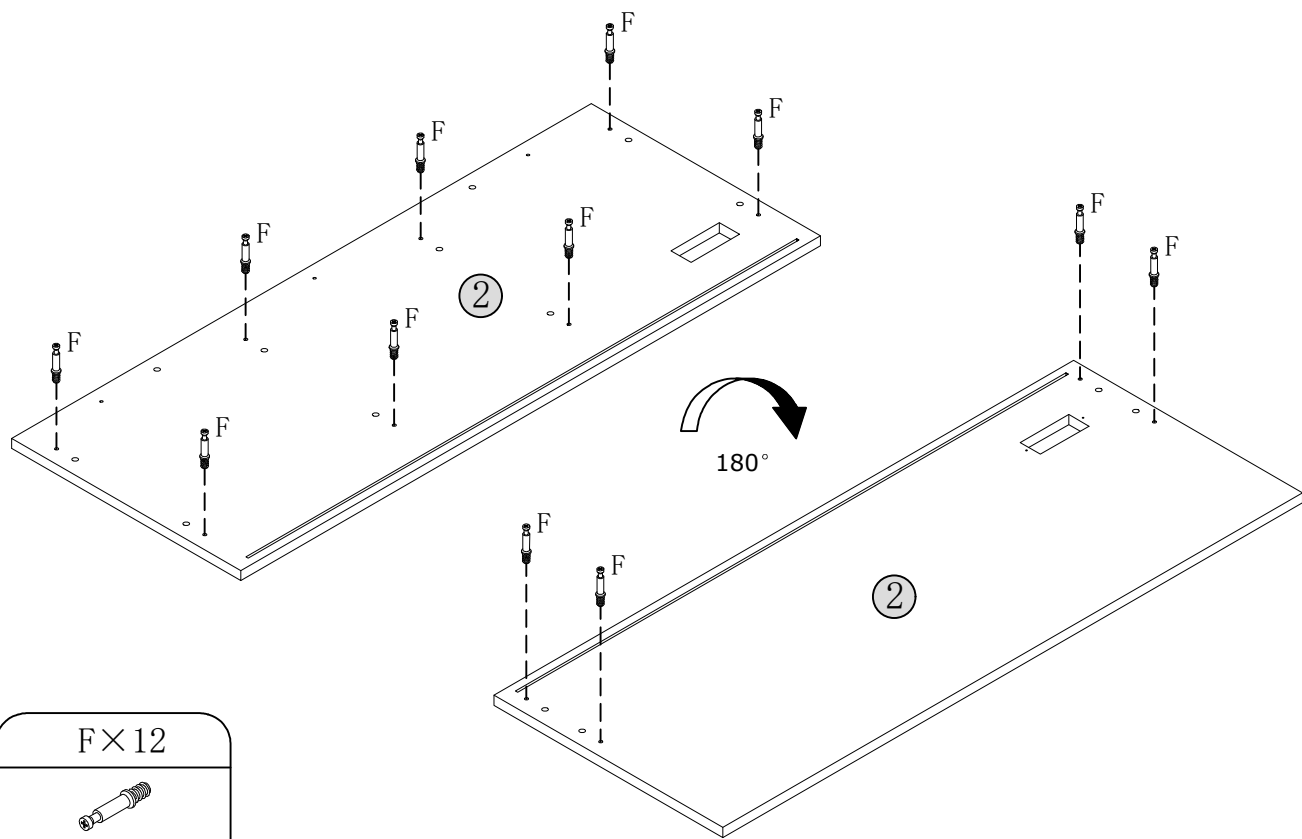
24



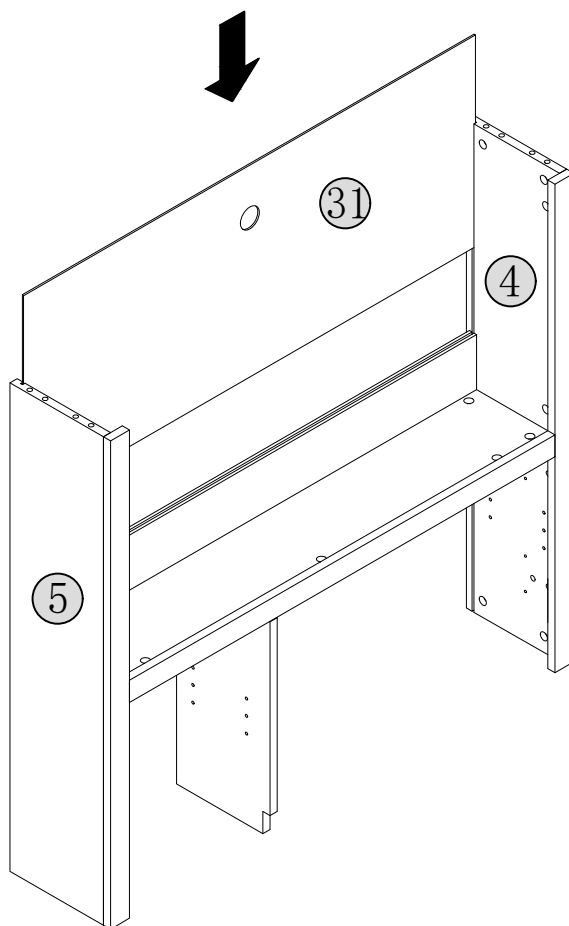
25

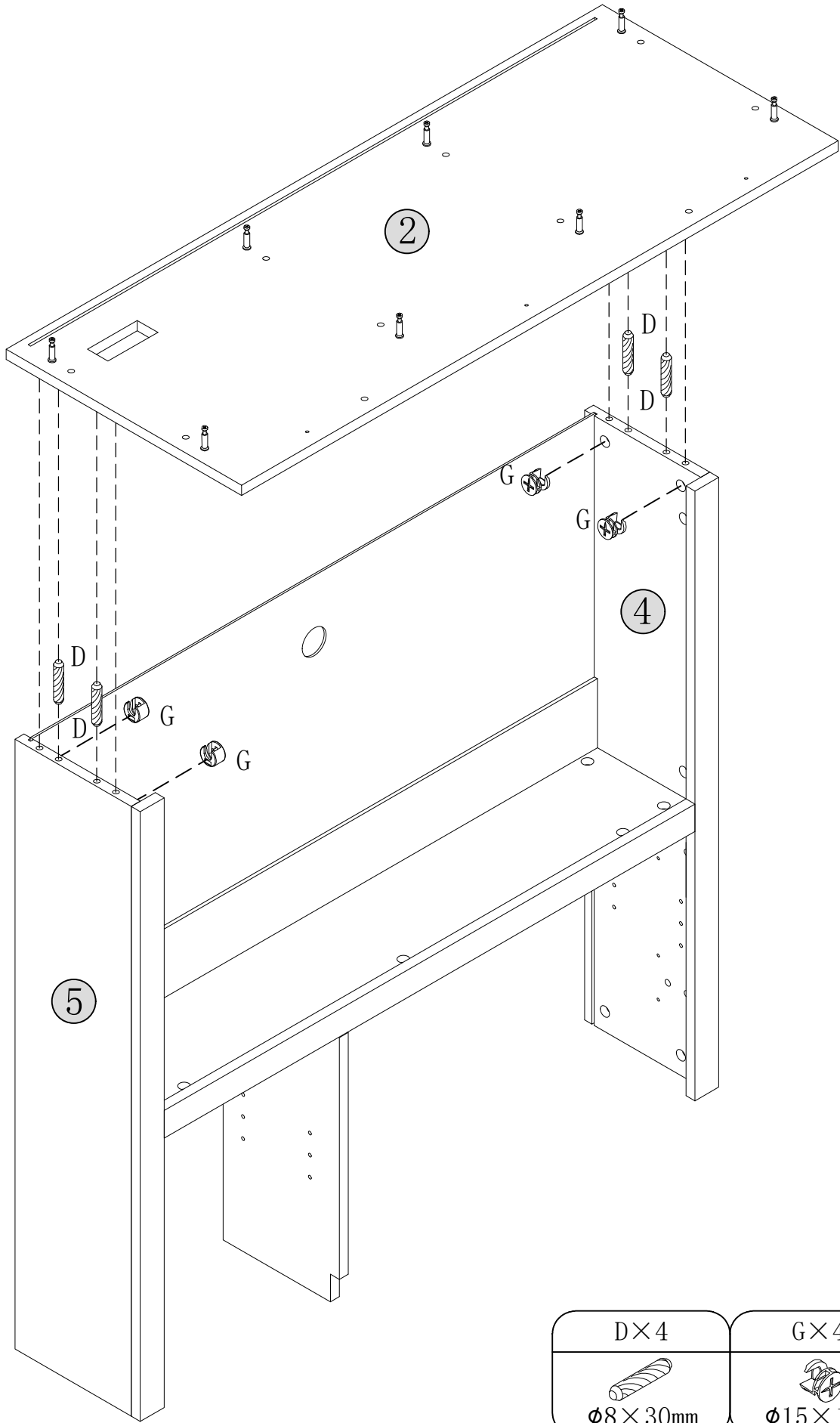


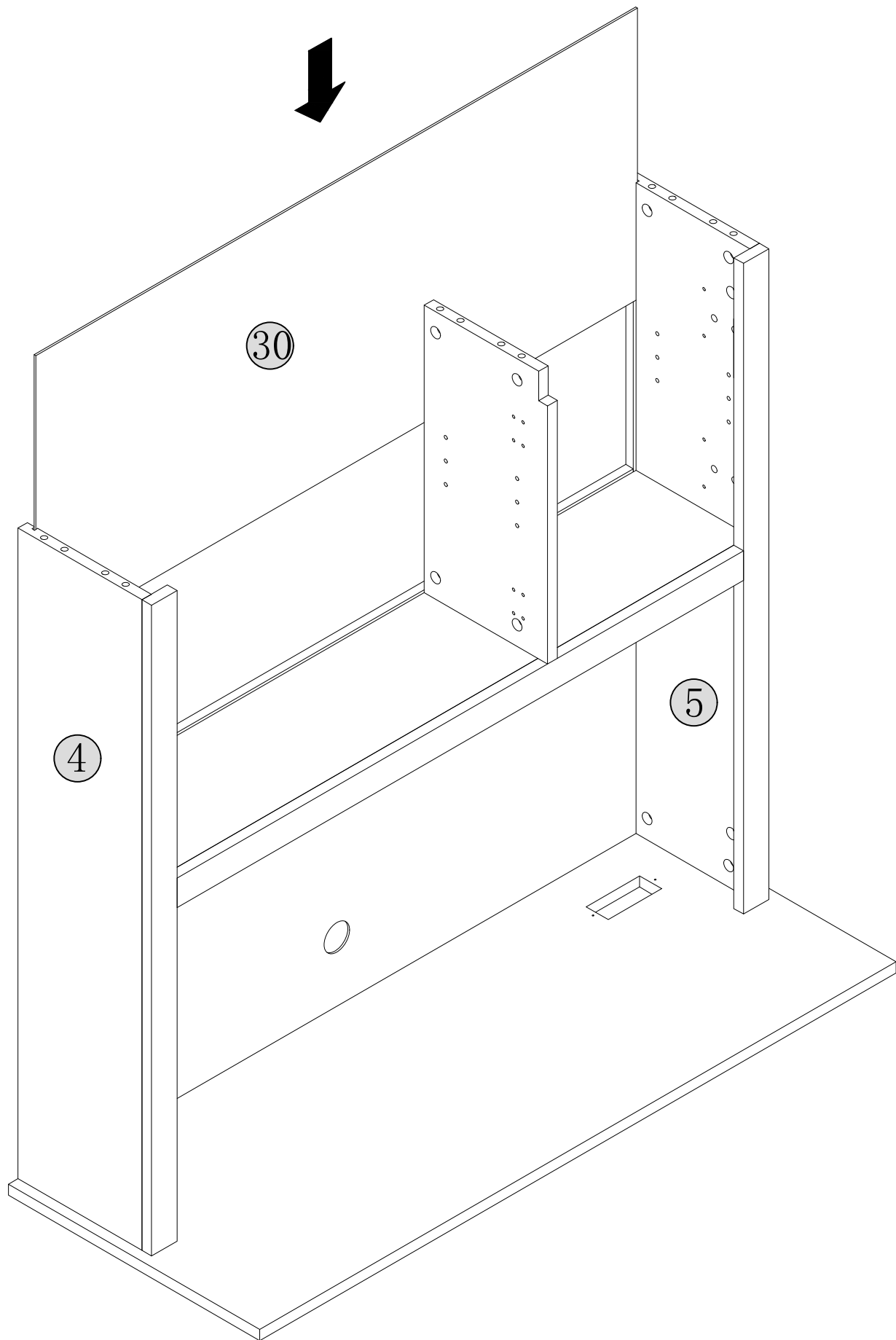
26

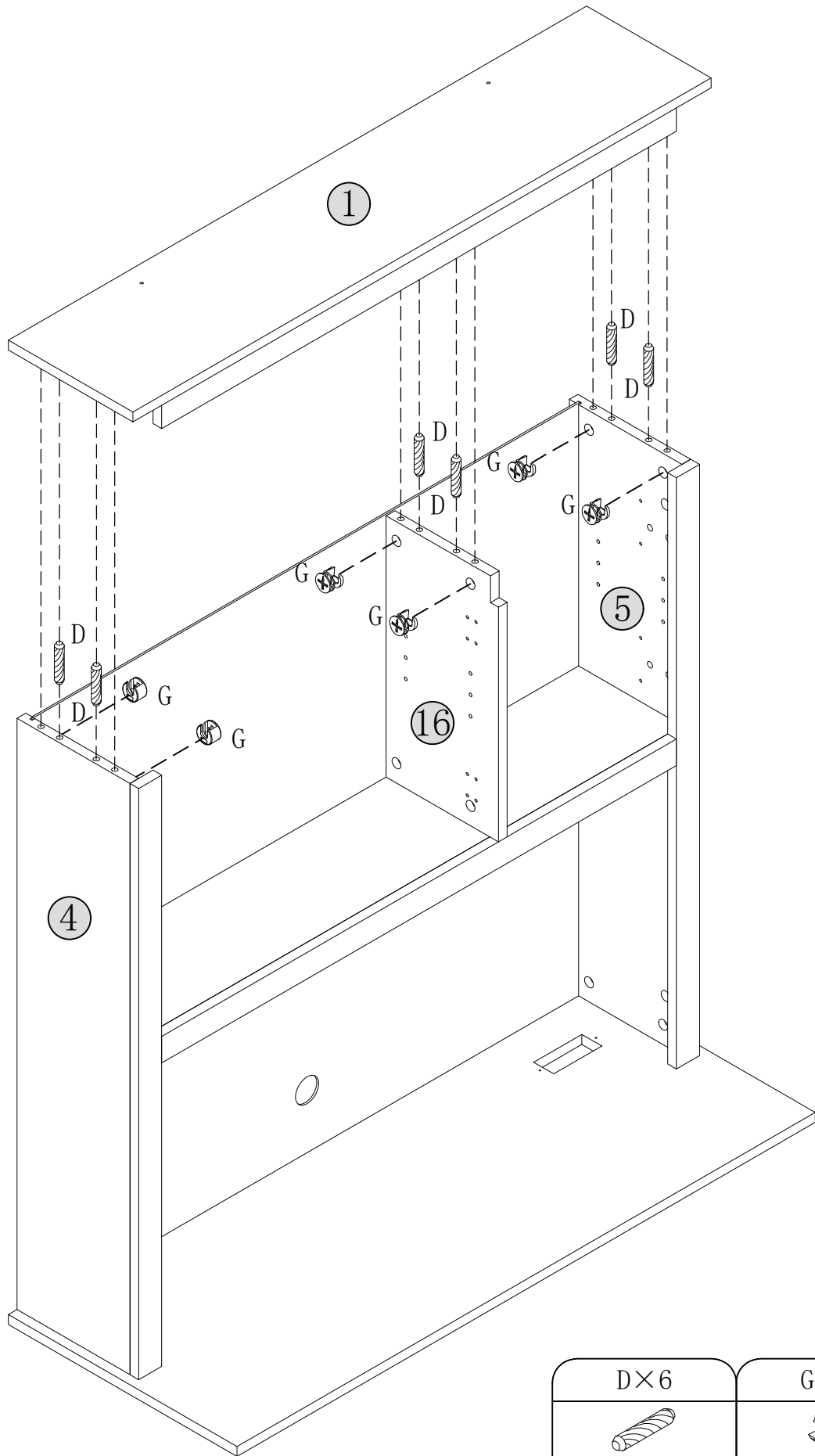


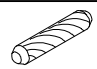

27

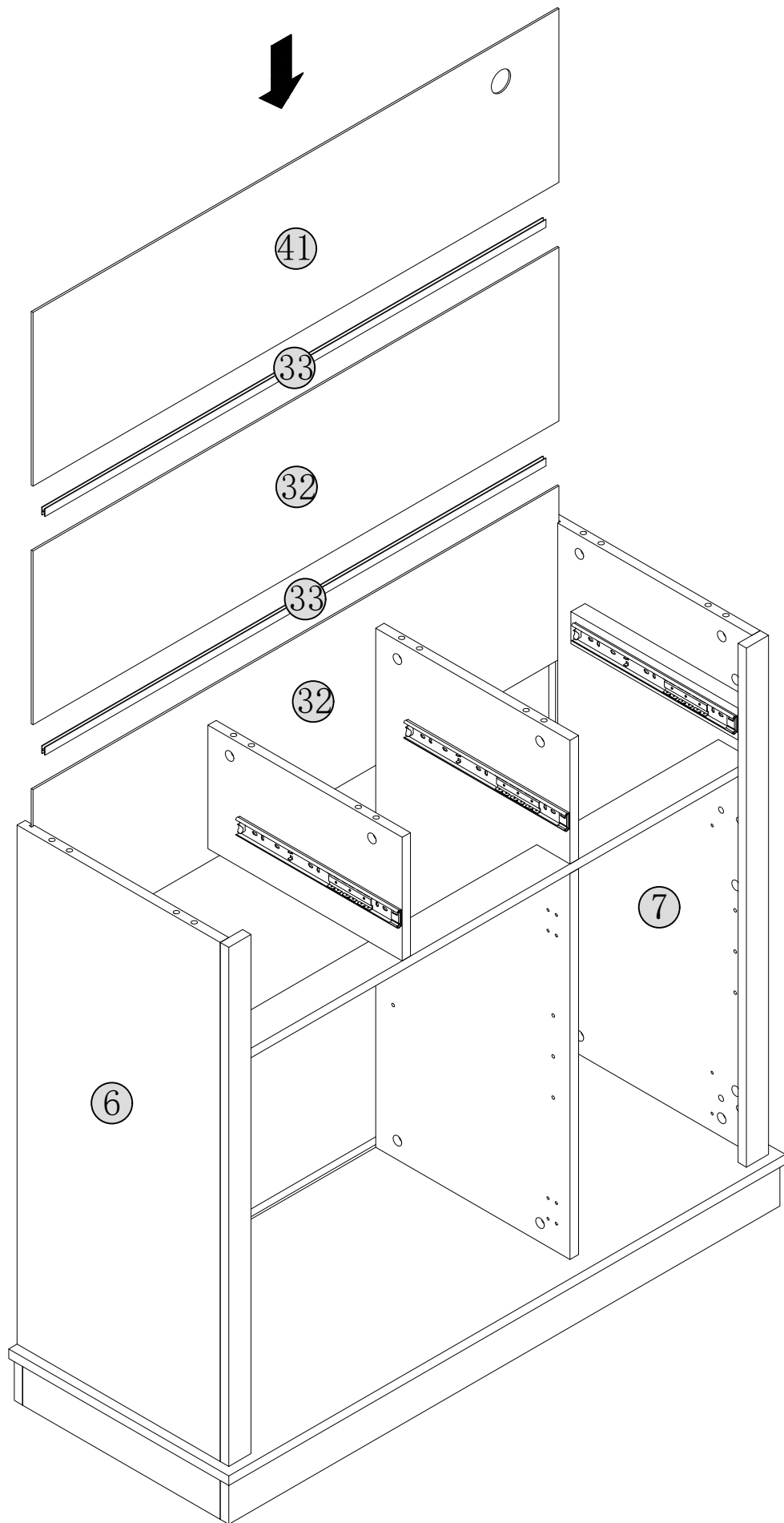


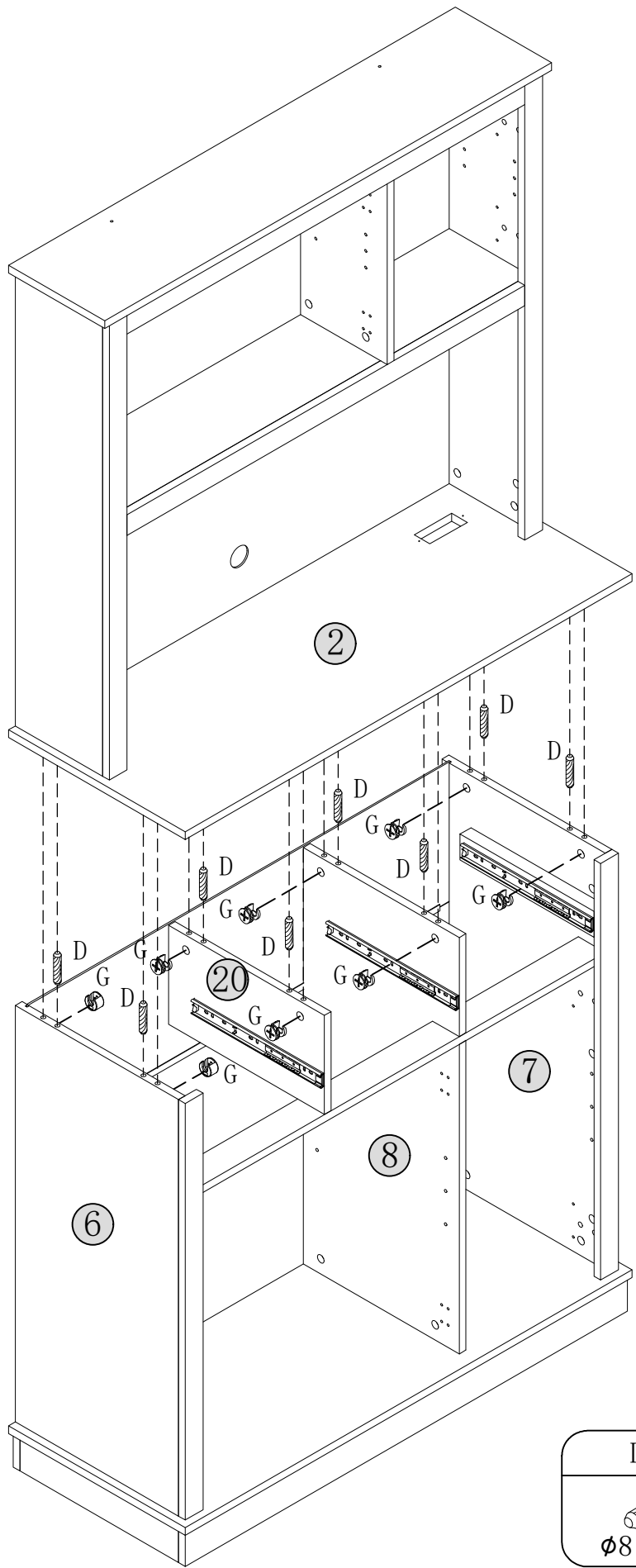


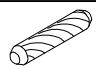



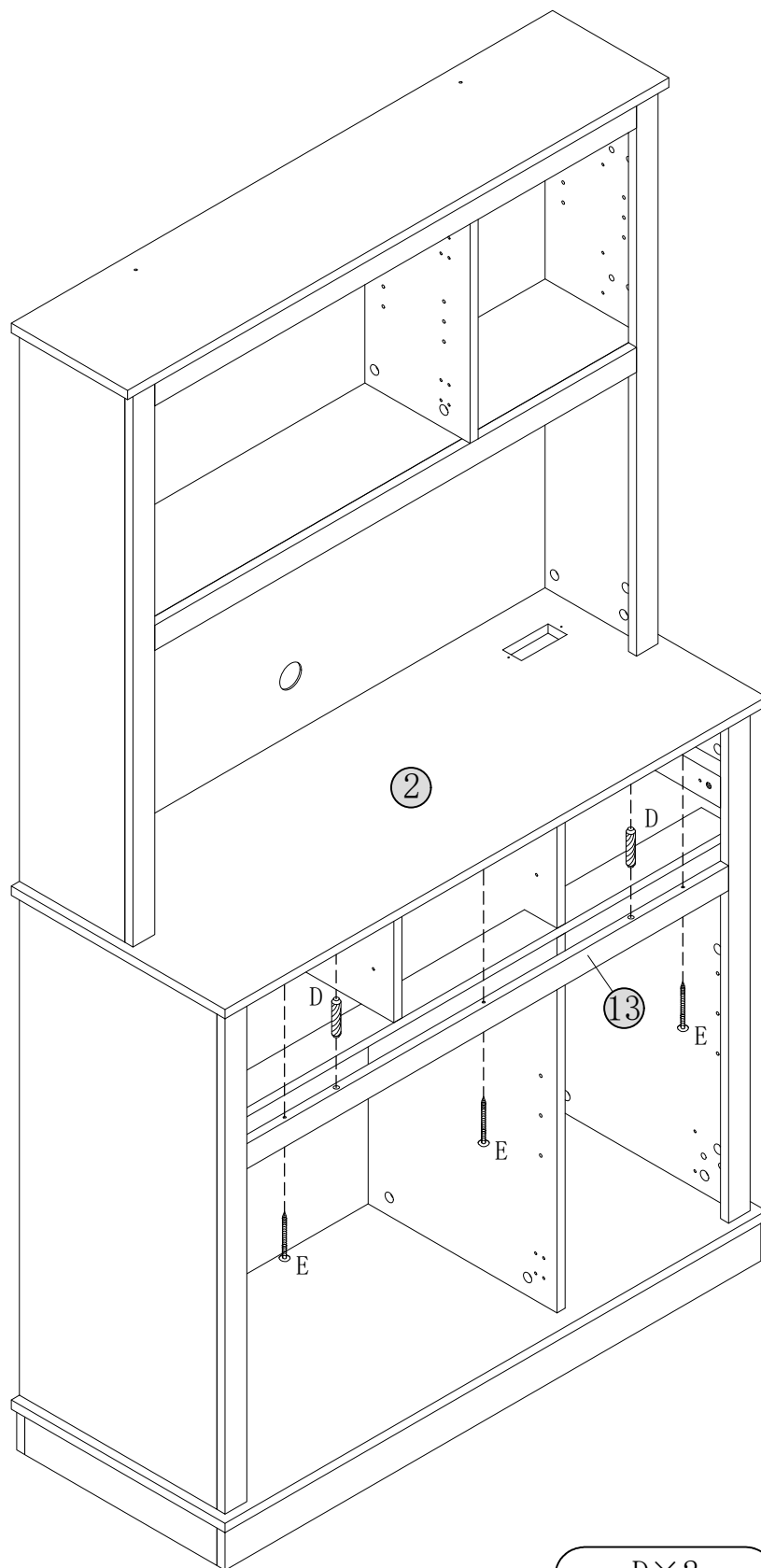


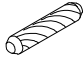
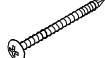
D×6	G×6
	
φ8×30mm	φ15×10mm

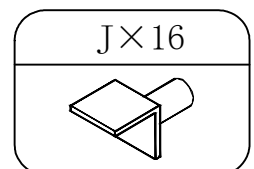
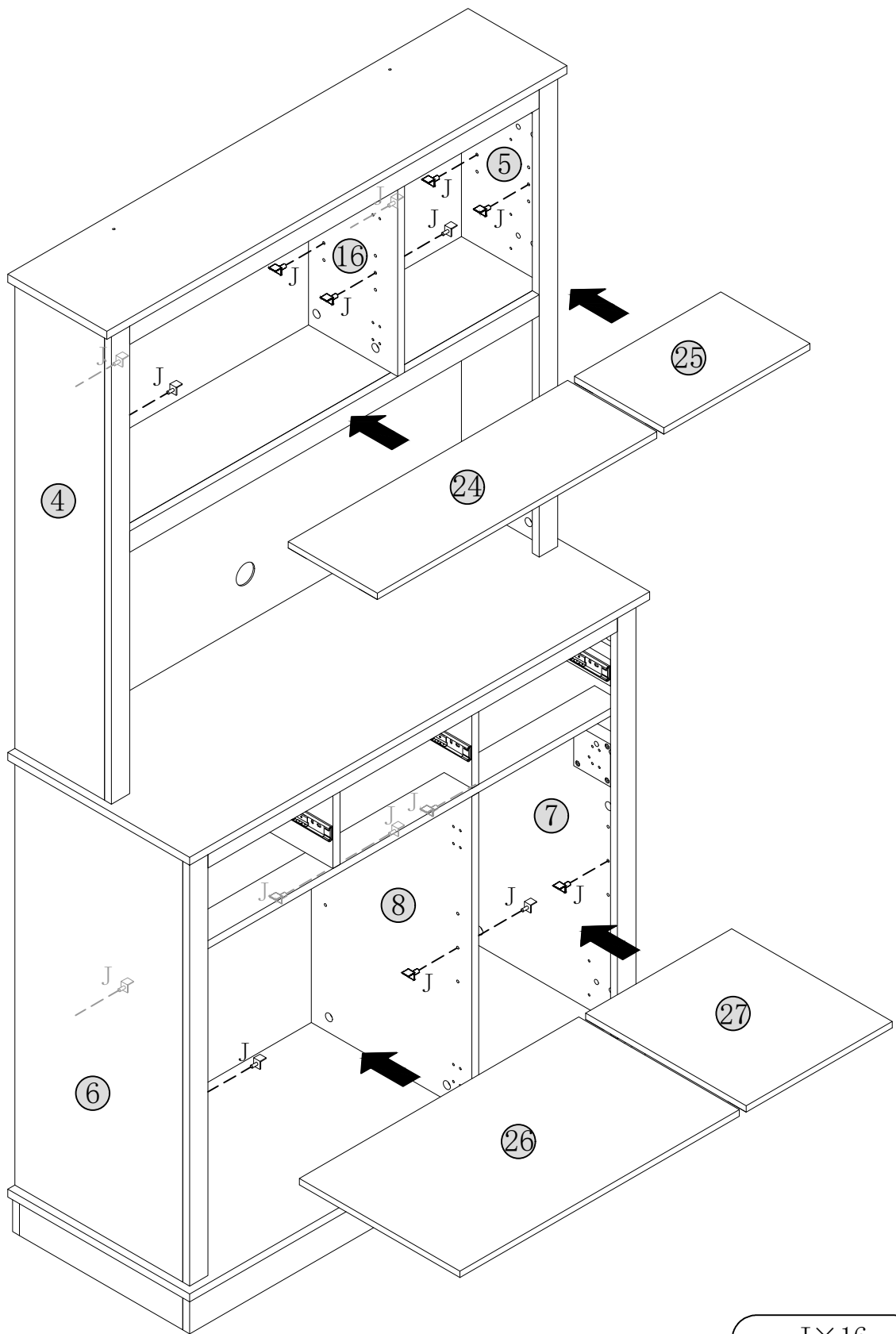


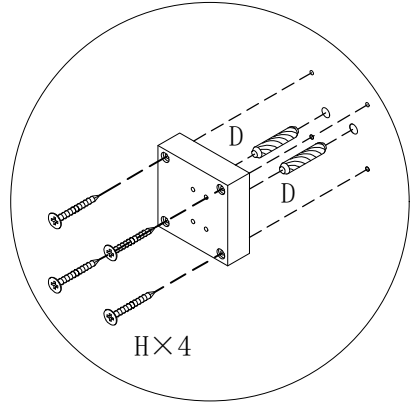
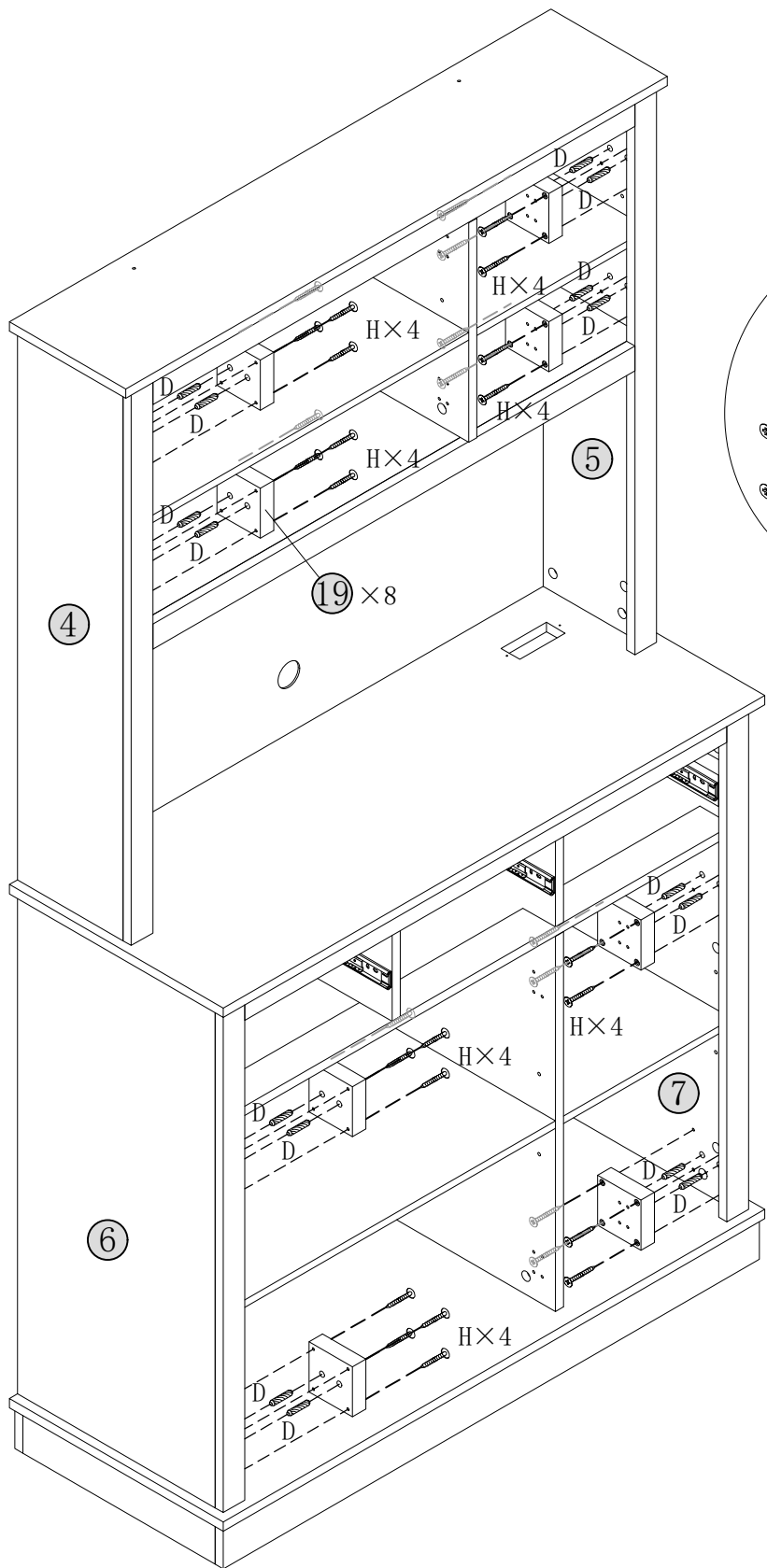




D×8	G×8
	
φ8×30mm	φ15×10mm



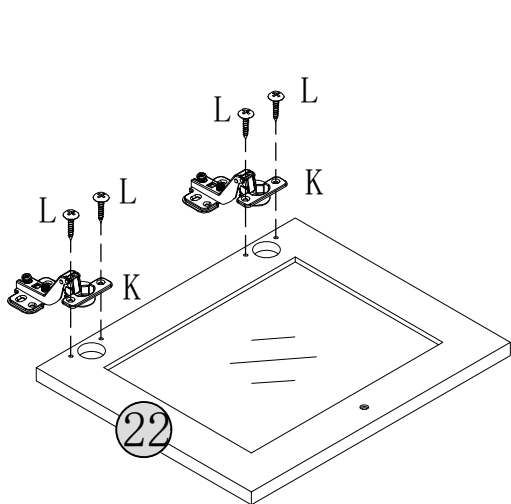
D × 2	E × 3
	
φ8 × 30mm	φ4 × 40mm



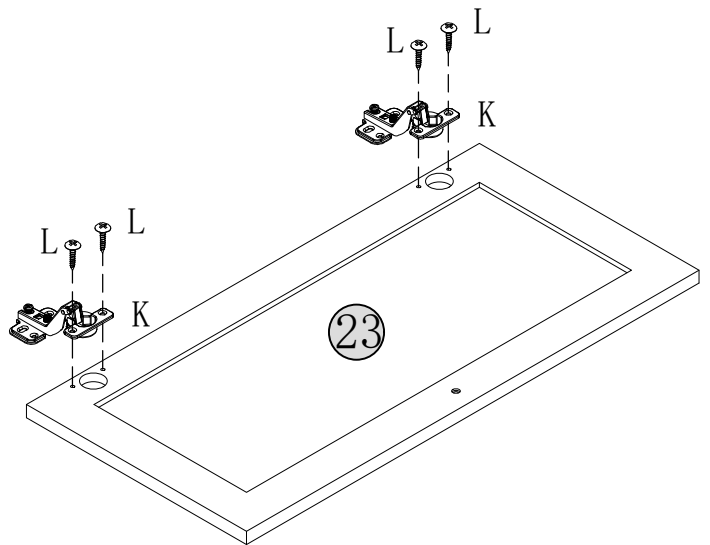


$D \times 16$	$H \times 32$
 $\phi 8 \times 30\text{mm}$	 $\phi 4 \times 30\text{mm}$

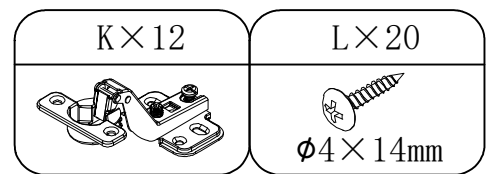
36



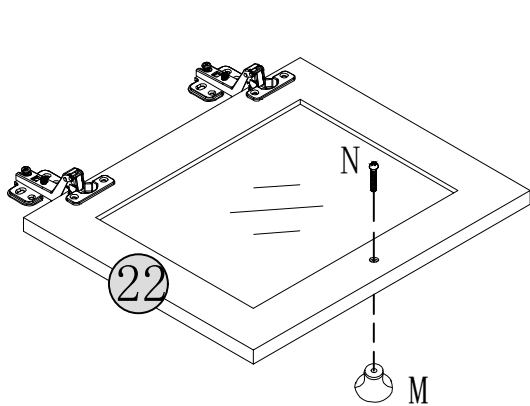
× 3



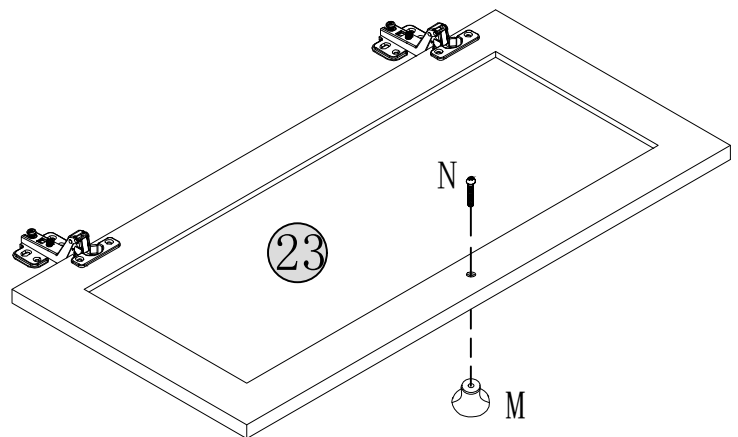
× 2



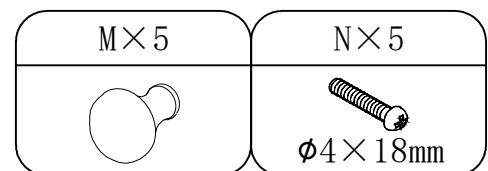
37

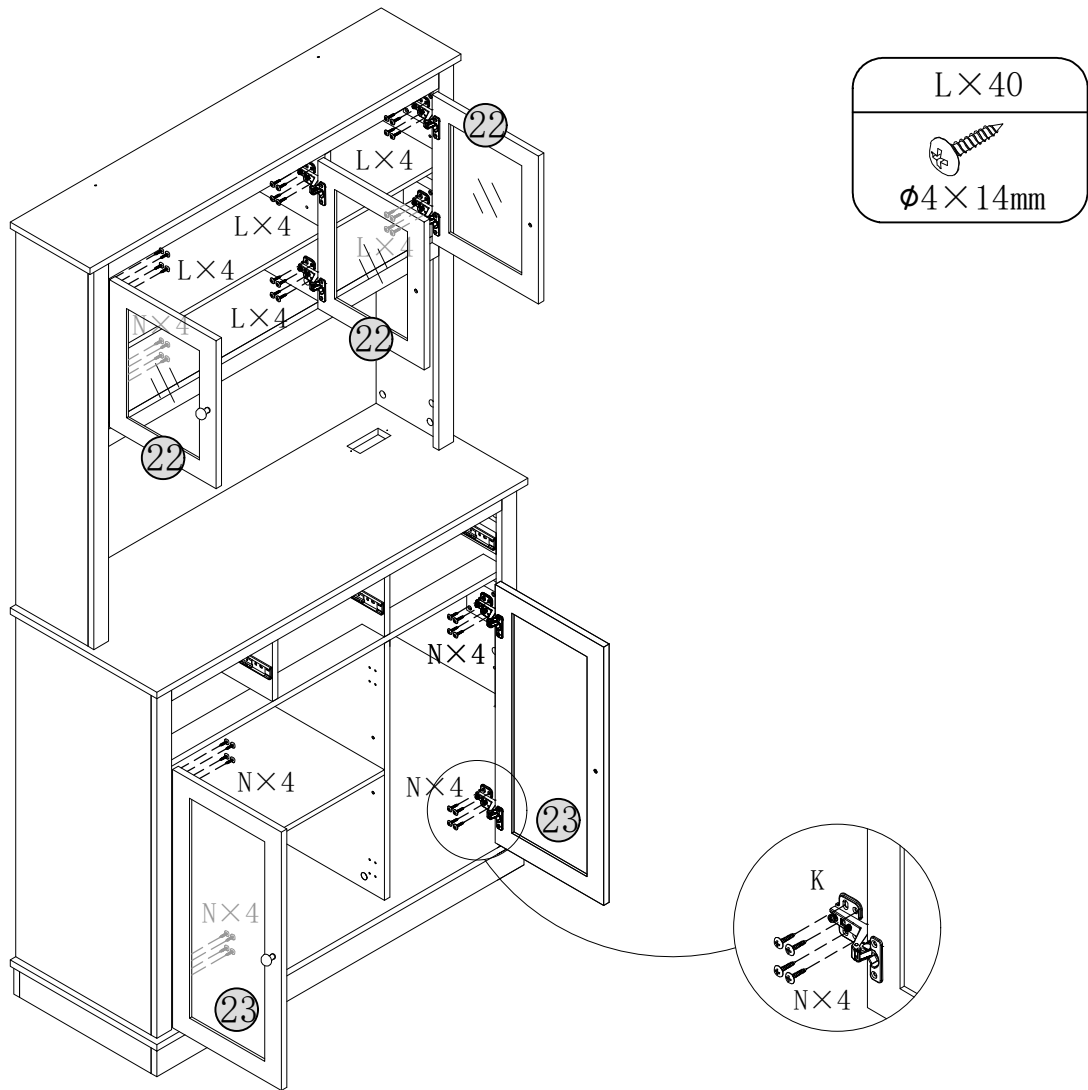


× 3

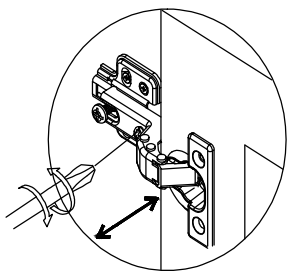


× 2

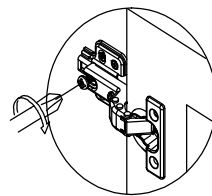
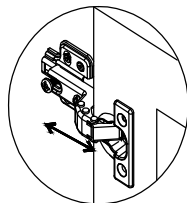
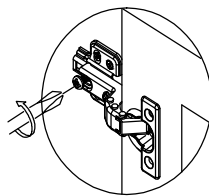




If the door can't close, please adjust the hinges.

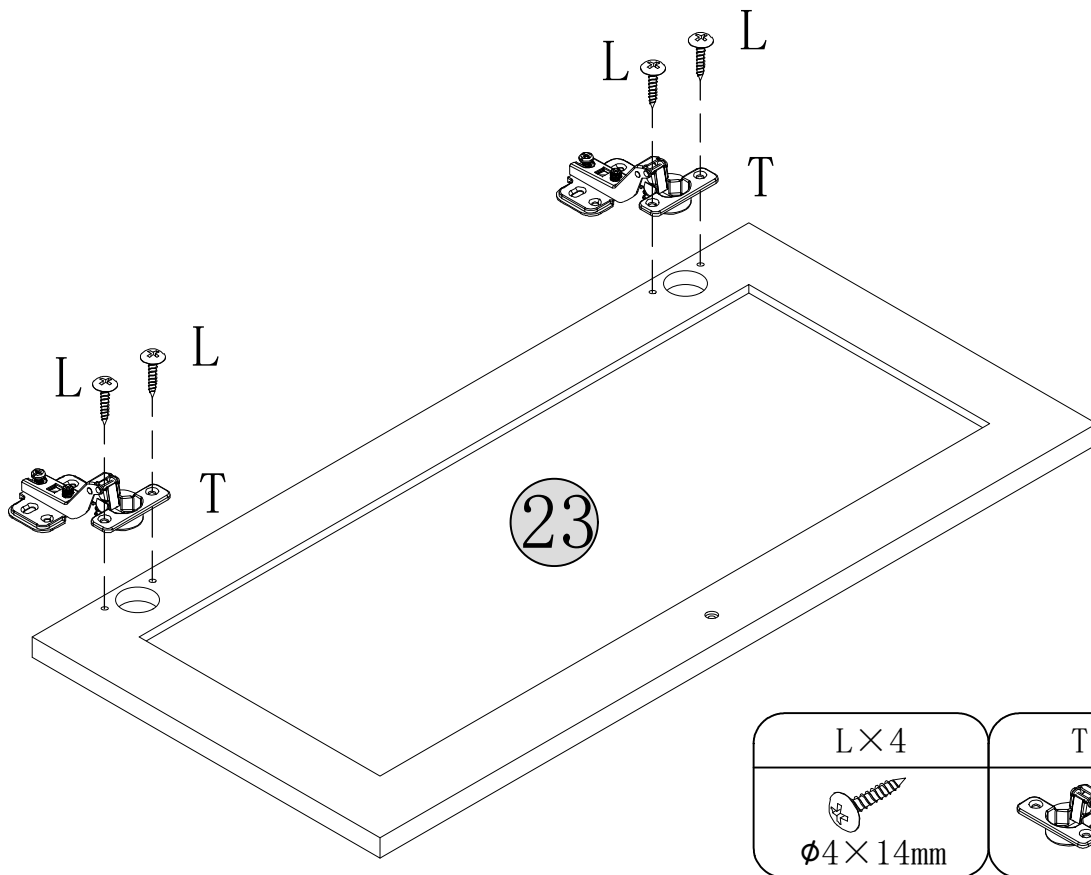




This is used to adjust the door panel in the up and down direction.



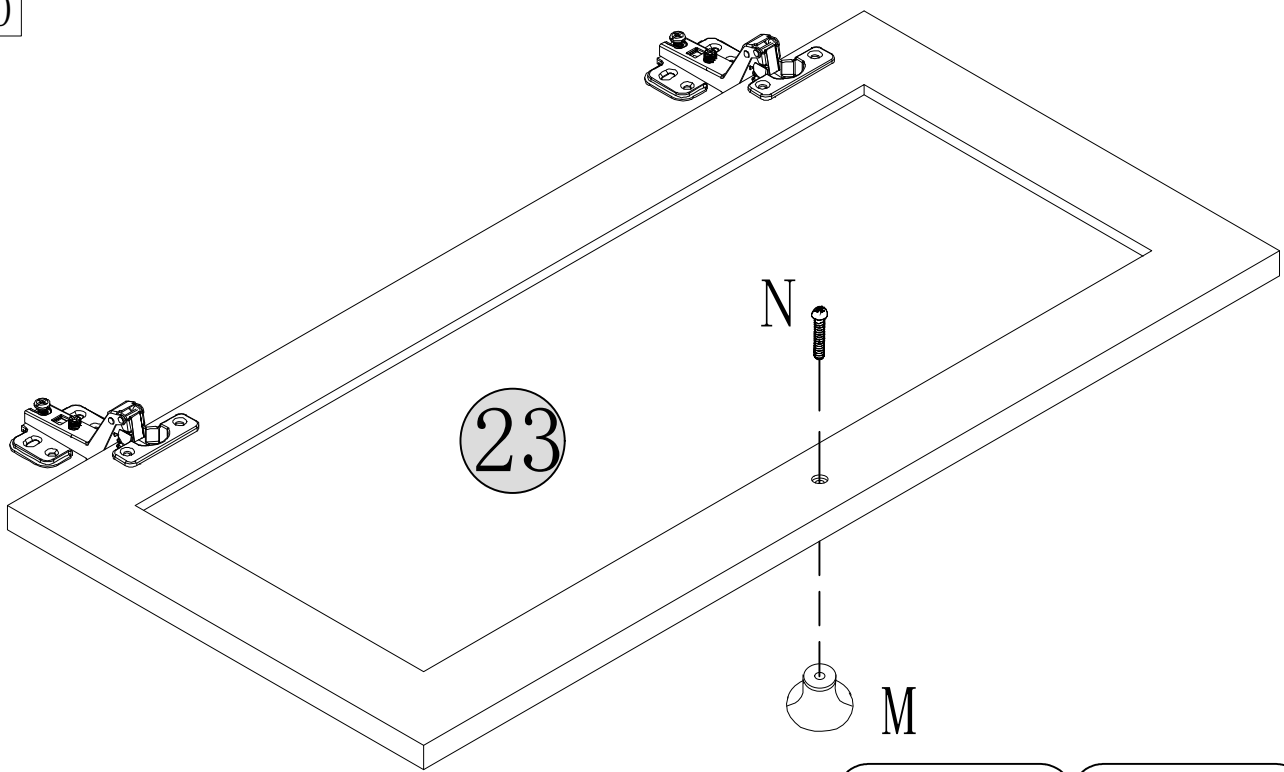
This is used to adjust the door panel in the front and back direction: Loosen the screw first, and then tighten screw after adjusting the door panel to the proper position.



39

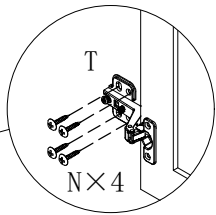
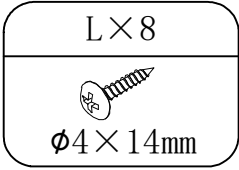
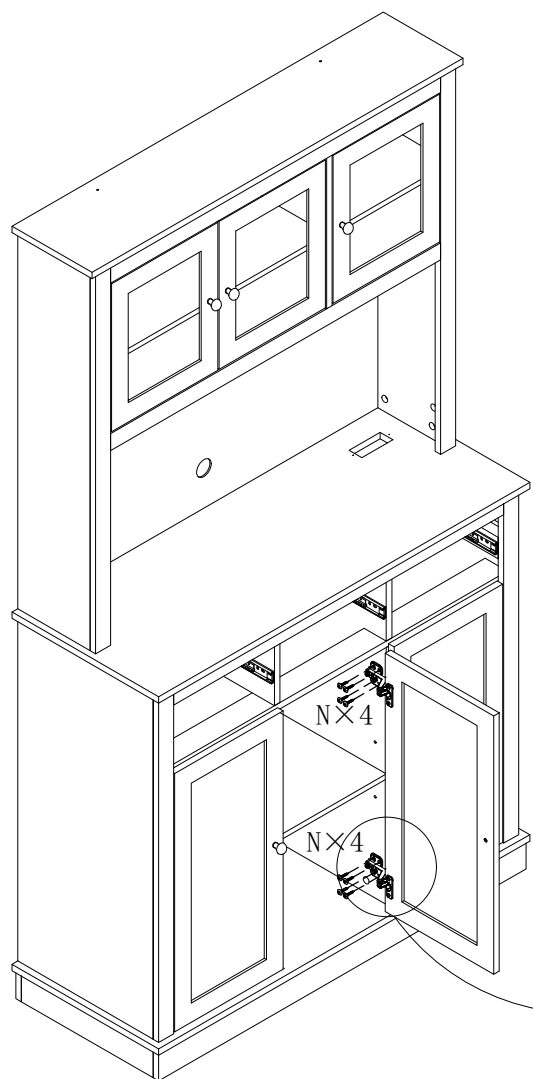


L × 4	T × 2
 φ4 × 14mm	

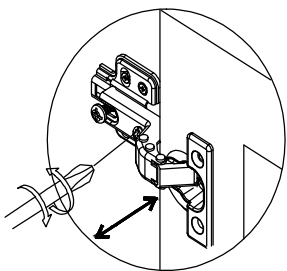
40



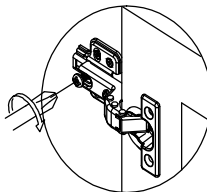
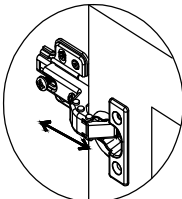
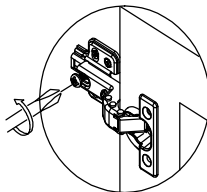
M × 1	N × 1
	 φ4 × 18mm



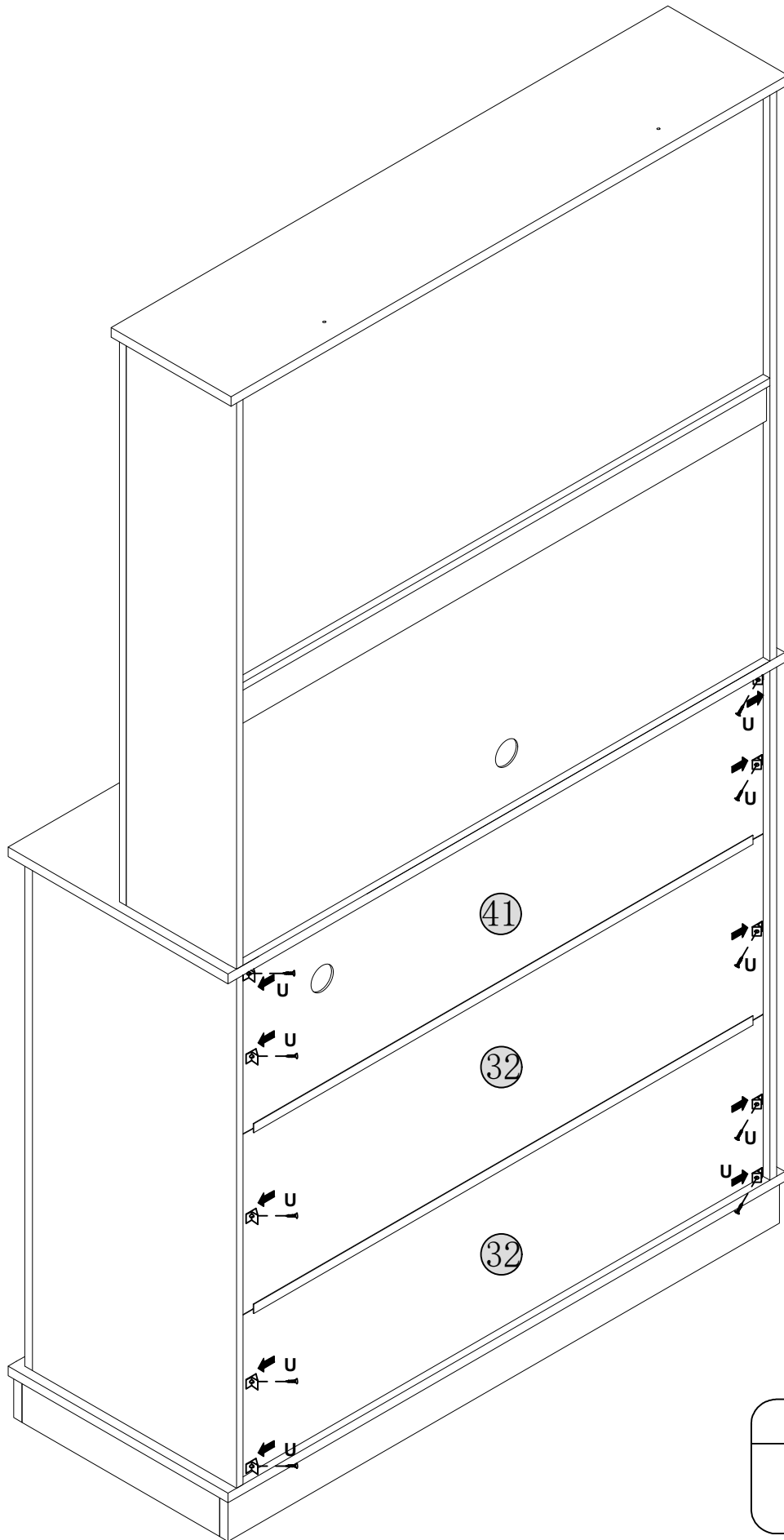
If the door can't close, please adjust the hinges.




This is used to adjust the door panel in the up and down direction.



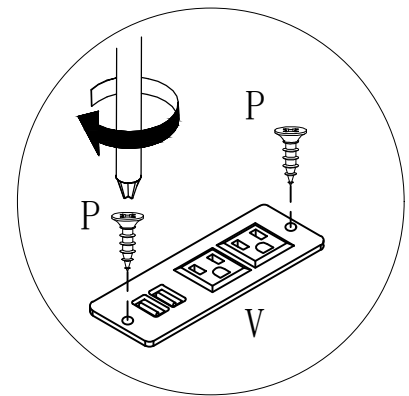
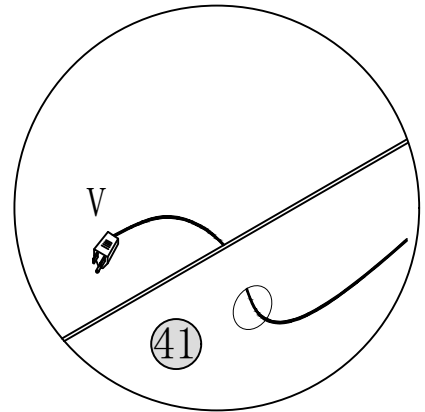
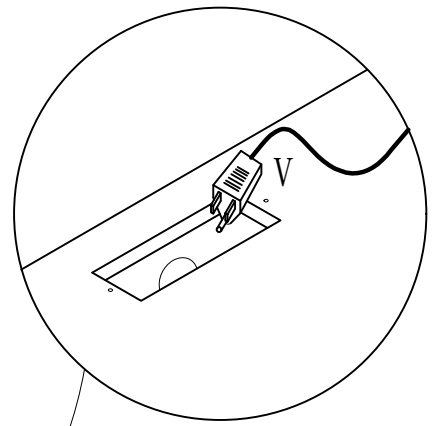
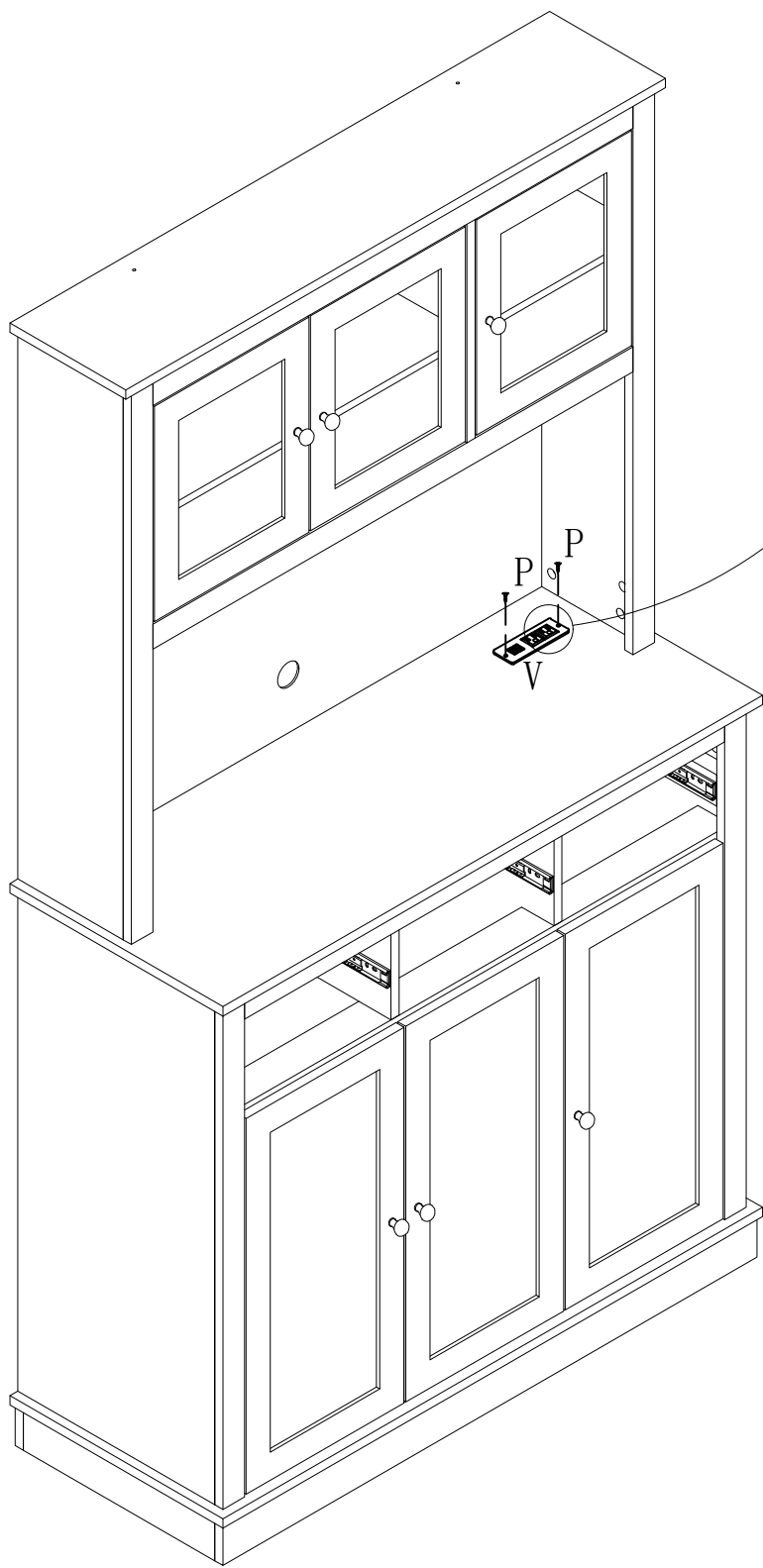
This is used to adjust the door panel in the front and back direction: Loosen the screw first, and then tighten screw after adjusting the door panel to the proper position.

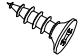
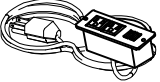


U x 10

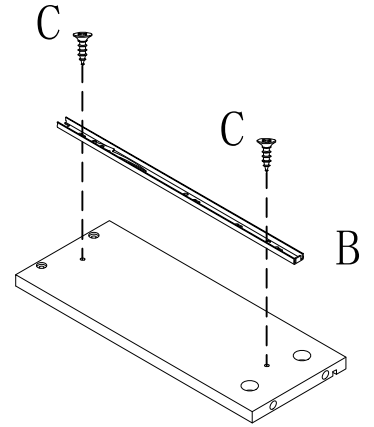
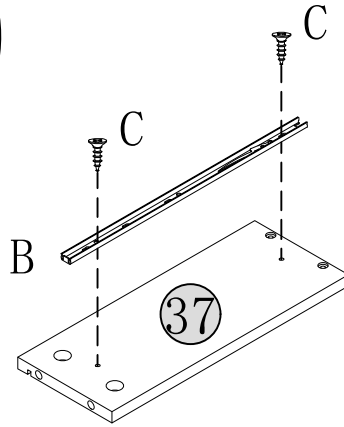
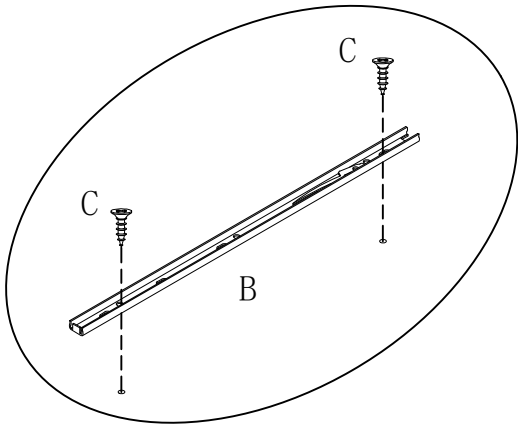



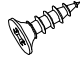
φ3 x 14mm



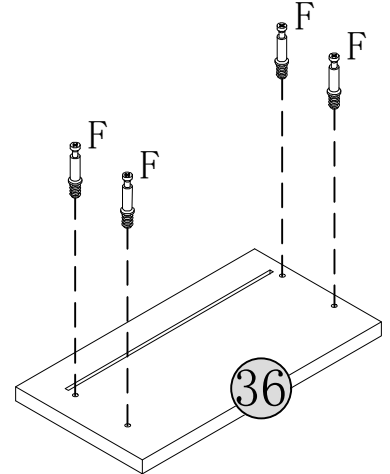
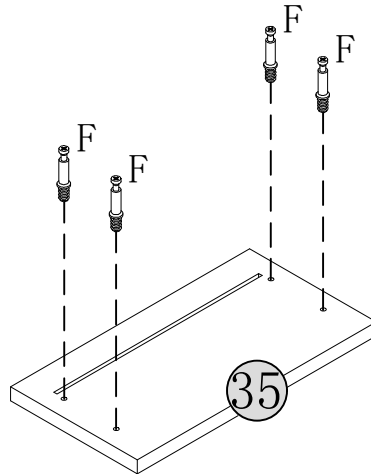
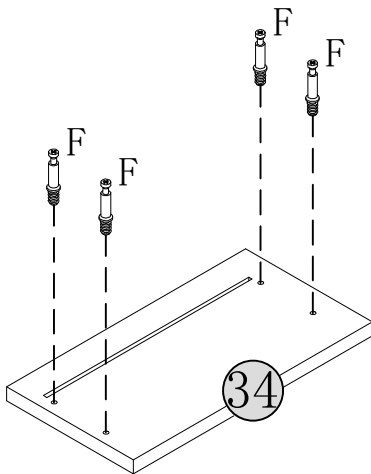
P × 2	V × 1
	
∅3 × 12mm	


42



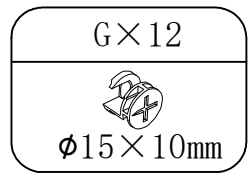
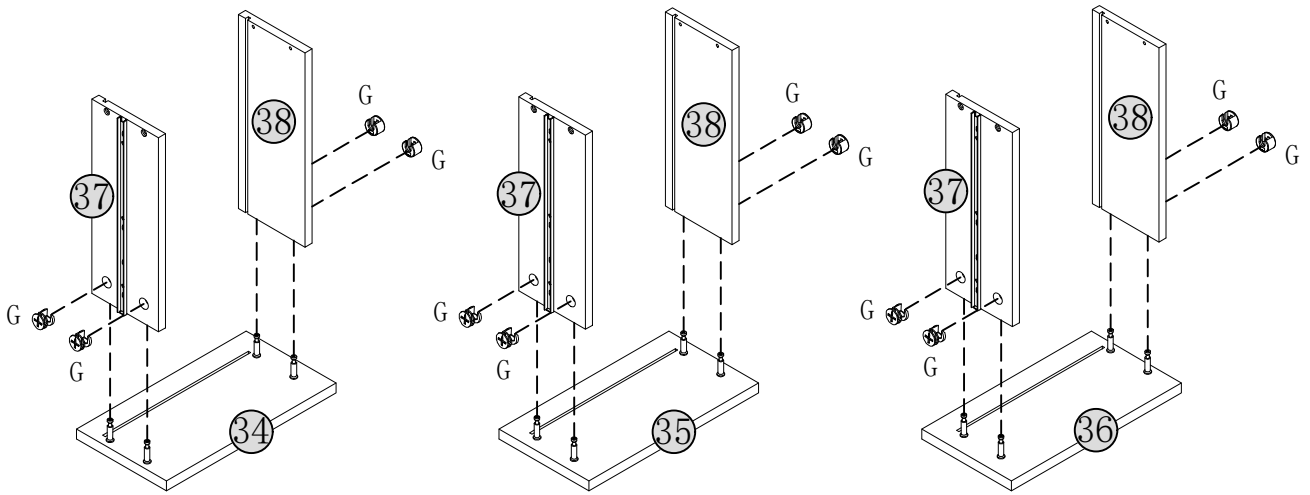
B×6	C×12
	
L 290mm	∅3×12mm

43

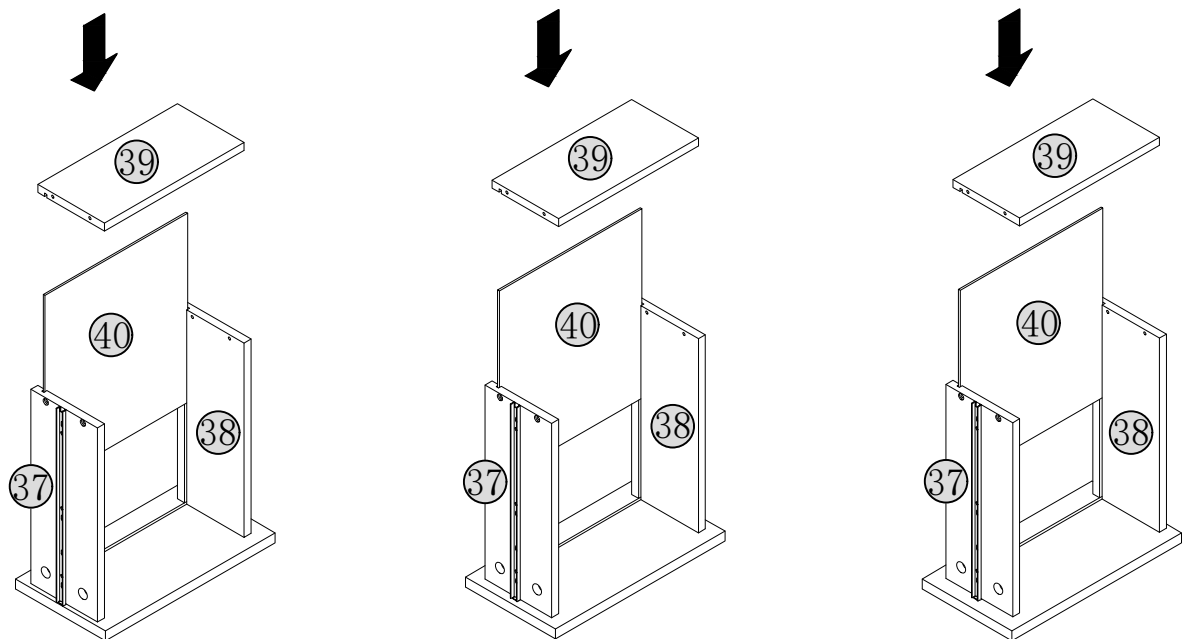


F×12

∅6×35mm

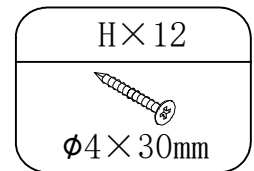
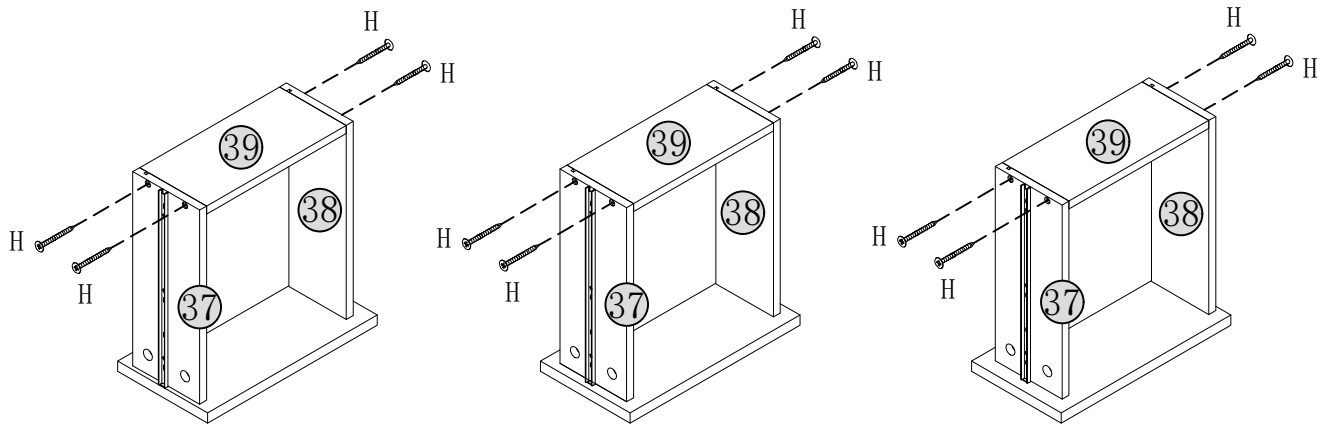
44



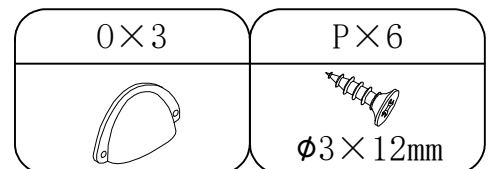
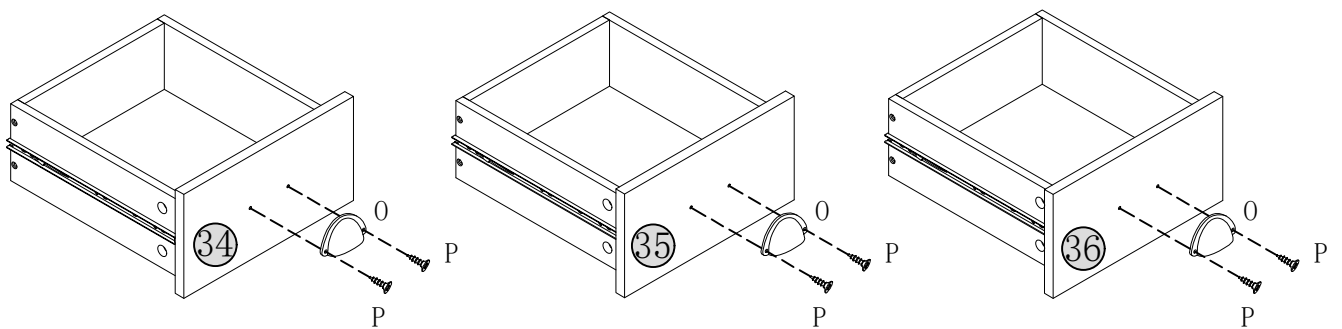
45

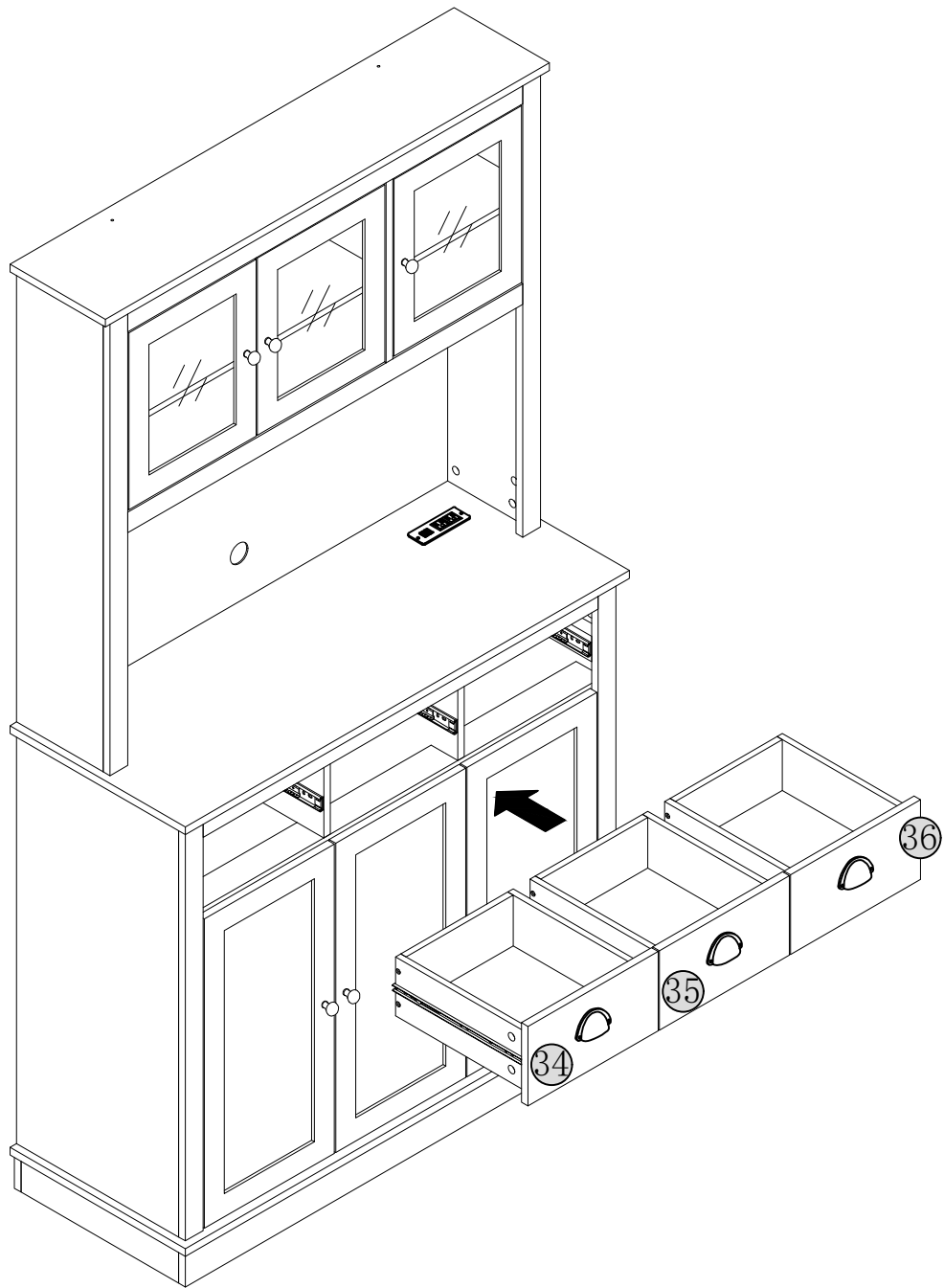
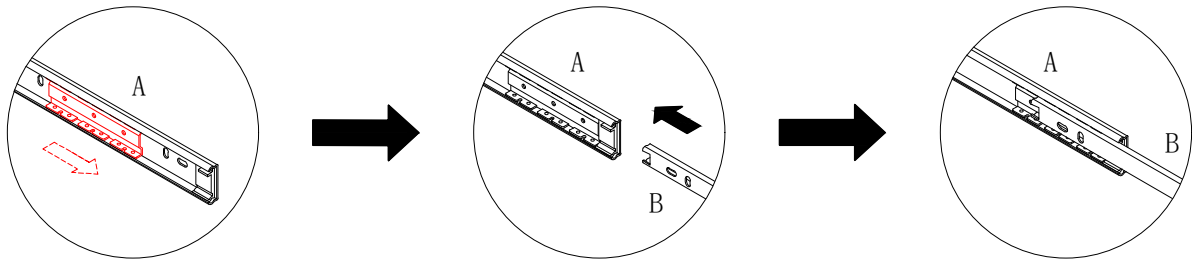


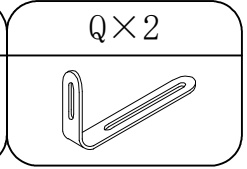
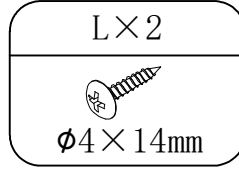
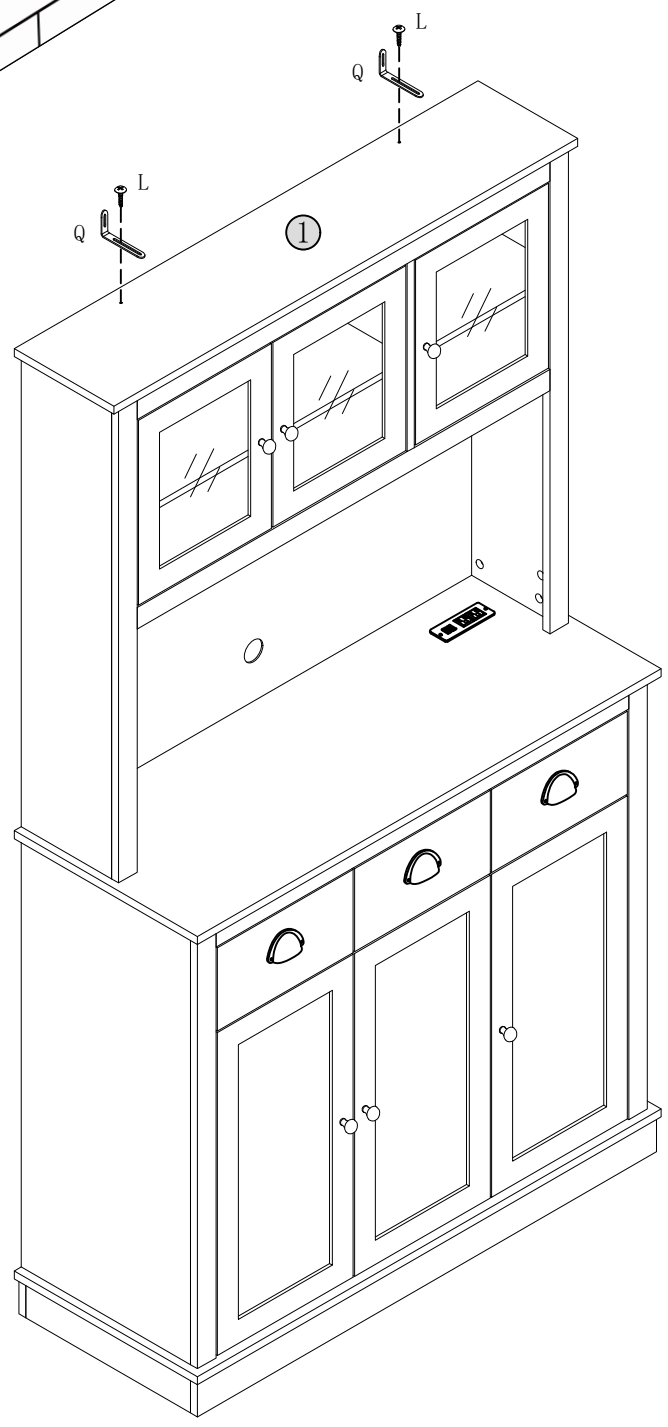
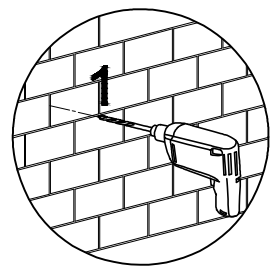
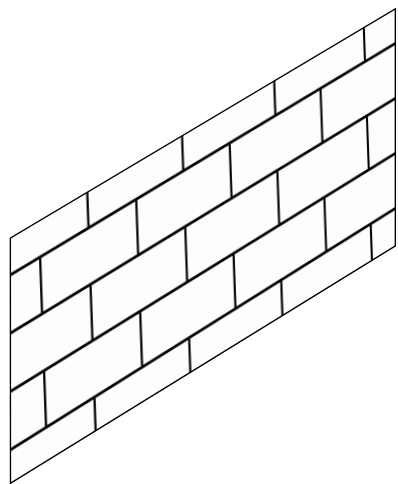
46

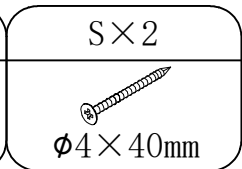
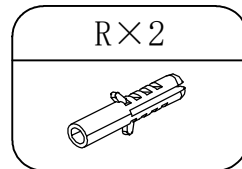
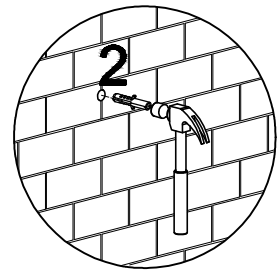
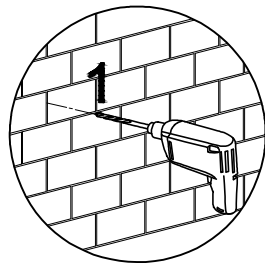
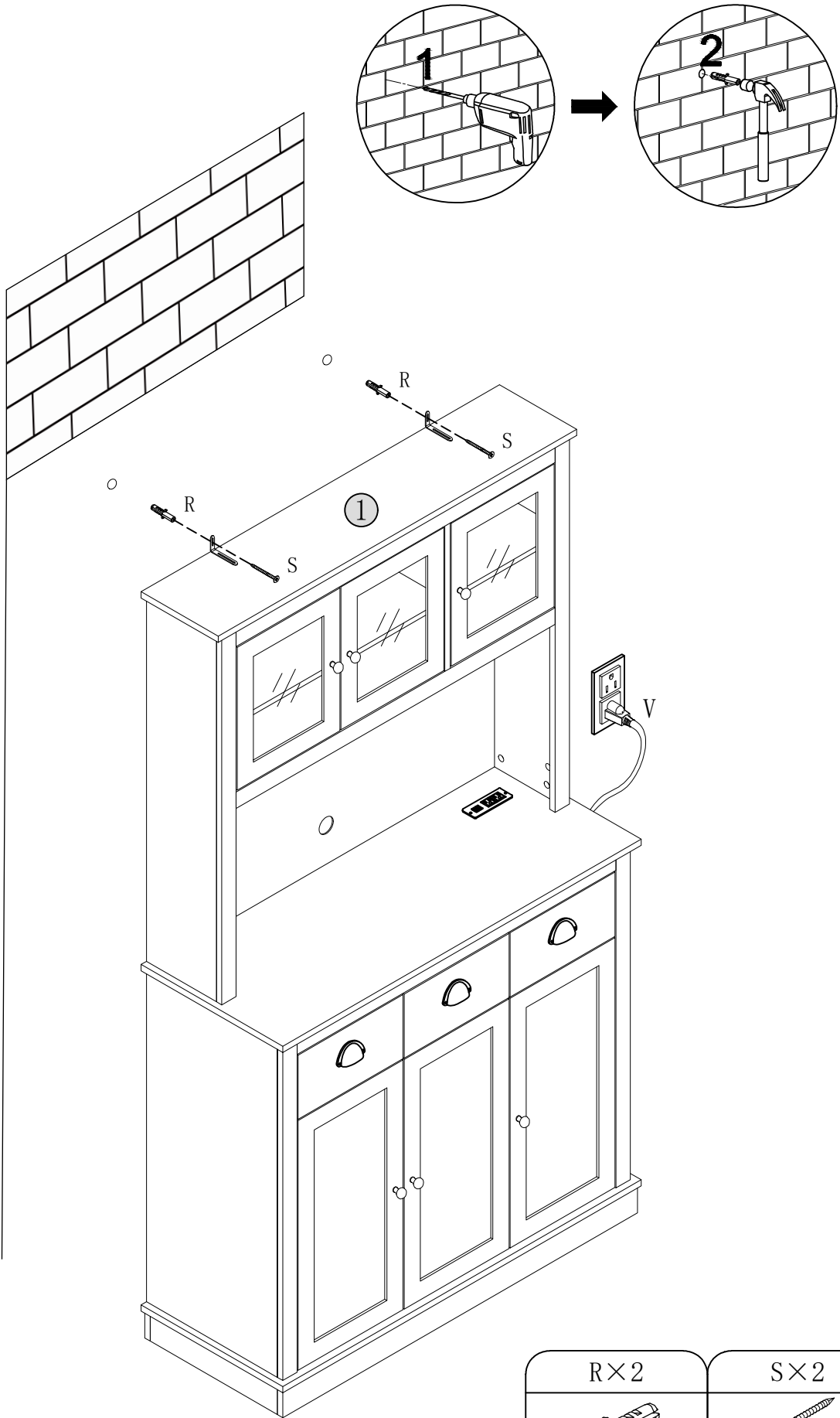


47









AFTER-SALE SERVICE

If you have any suggestions for our products or find that the products have quality problems, please contact us first, our after-sales team will reply you within 24 hours, and we will do our best to give you solutions until you are satisfied.

Guaranteed Customer Service

Your shopping experience is very important to us!
Feel unsatisfied? **Contact us!**
Have any questions? **Contact us!**

Wanna share your experience with our products?
Share your pictures with us.

Any suggestions? **Contact us!**
We gotcha back!



E-mail: service@replycenter.net