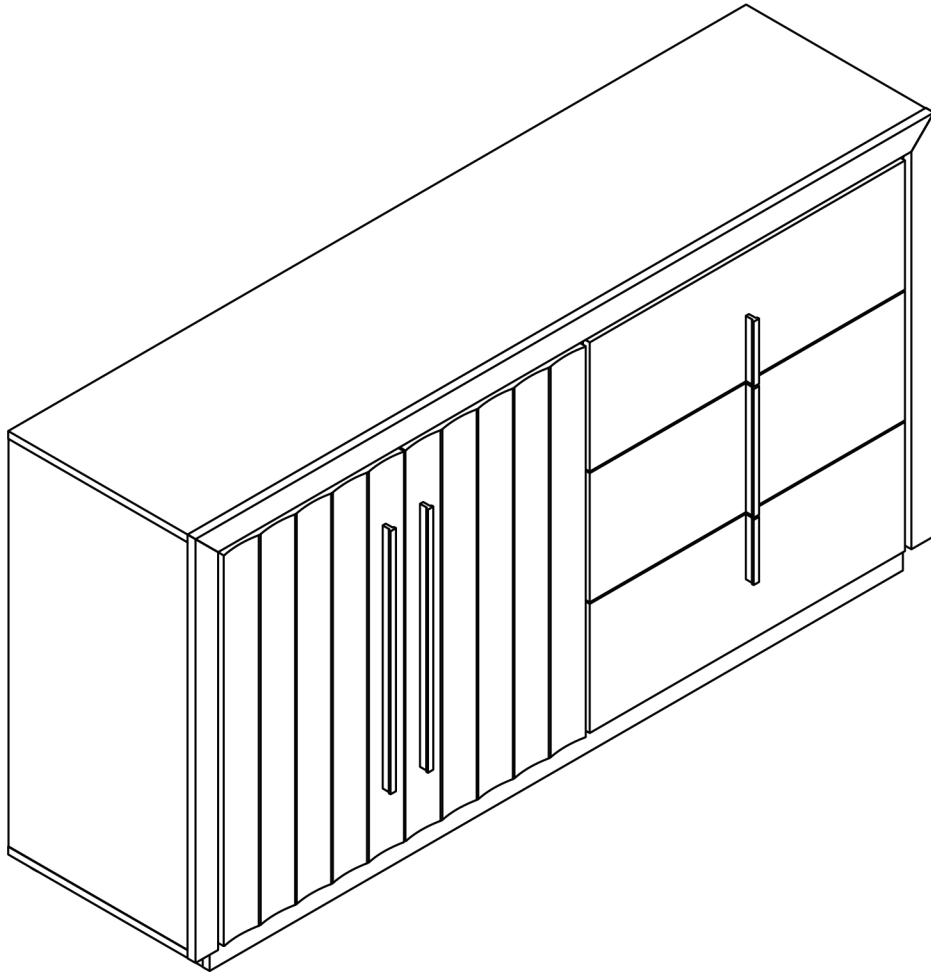


Sideboard



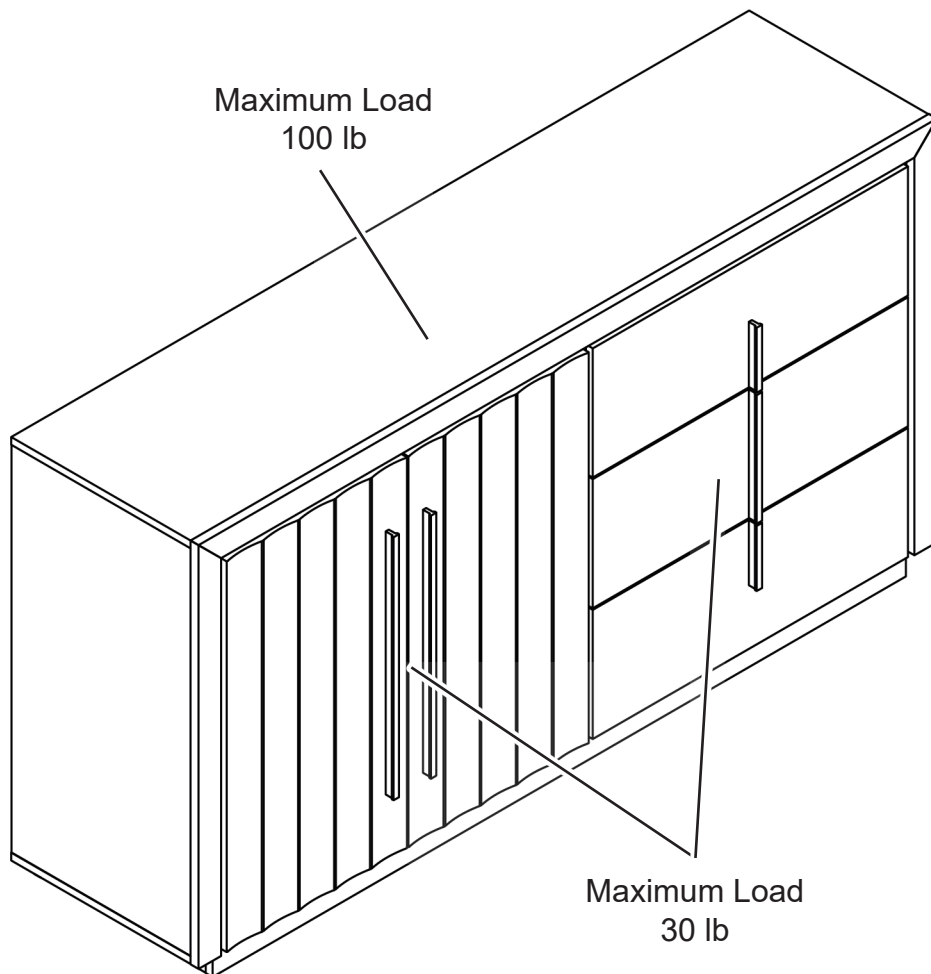


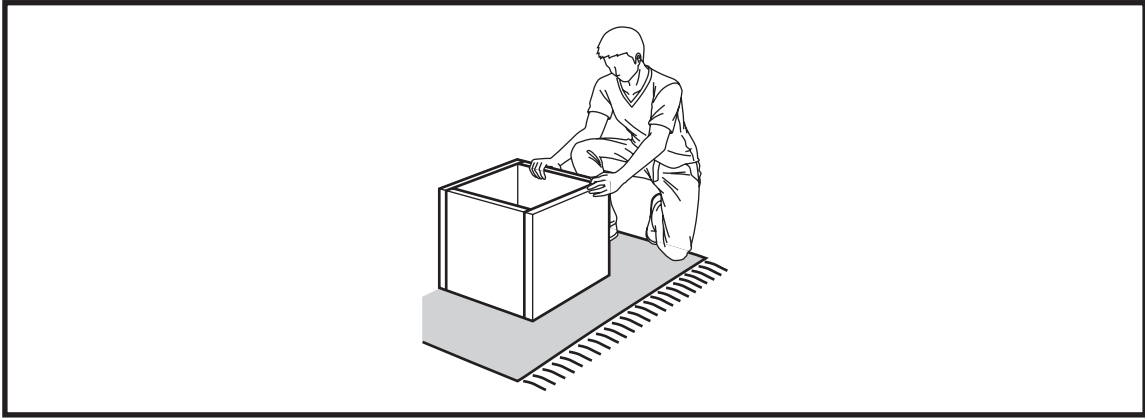
Estimated time for assembly:

120 mins



Weight limitations are as follows:

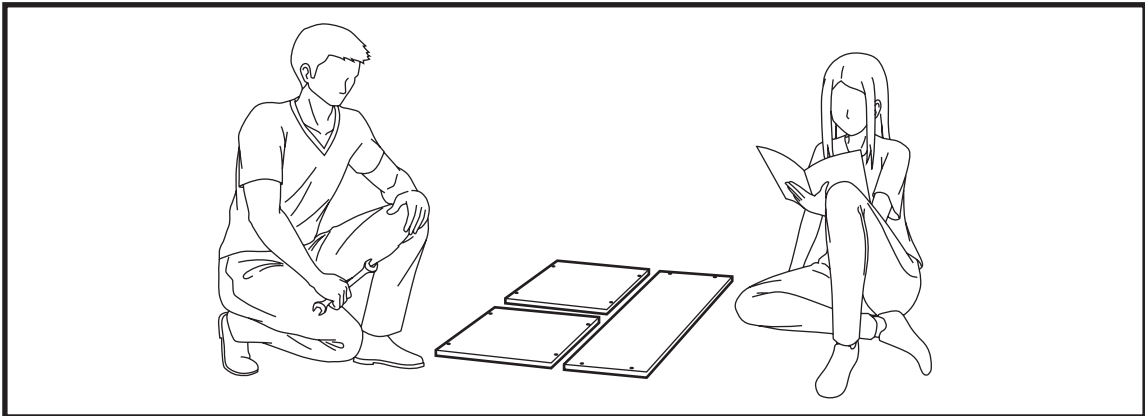




Assemble the furniture on an empty carton, carpet, or rug to prevent scratches or damage.

For safety, please keep pets and children away from the assembly area.

Ensure the product is fully assembled before use. If you are missing any hardware or products, do not use it until you have restored the missing parts.



This furniture requires 2 people for assembly.

Read this instruction manual prior to assembly to familiarize yourself with the various steps.

Lay out all components and hardware separately on a flat surface and make sure that no parts are missing or damaged before assembly. Do not destroy or discard any packaging until you are certain that you have all the necessary parts for assembly.

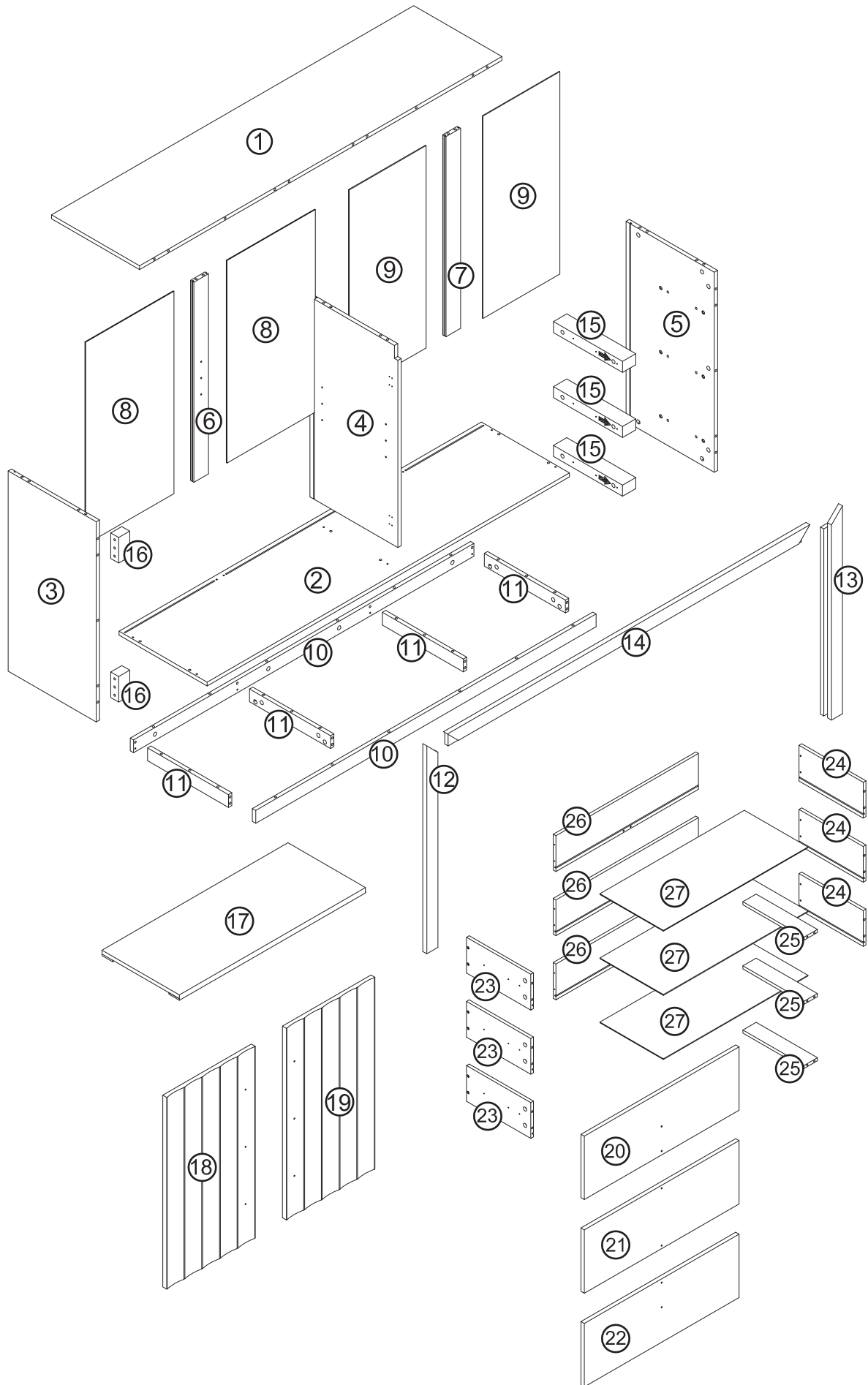
Hand tight all hardware and careful not to over tighten to avoid damaging the product.

CAUTION

There are small components used in the construction of this product. Loose items should be kept away from pets and children to avoid a choking hazard.

Keep all plastic bags and packaging film away from pets and children to avoid suffocation.

PACKAGE CONTENTS



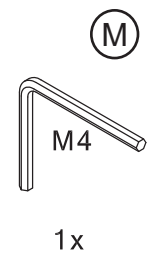
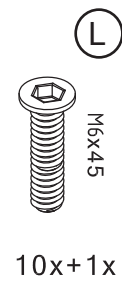
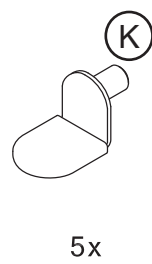
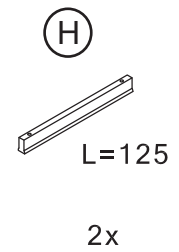
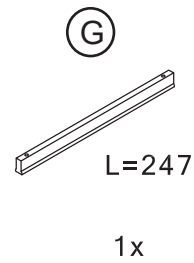
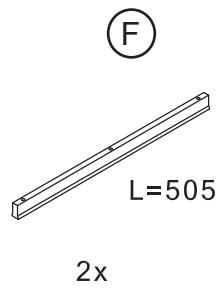
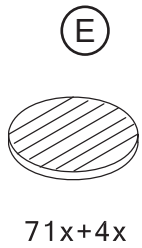
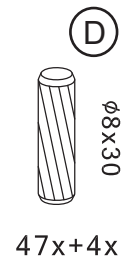
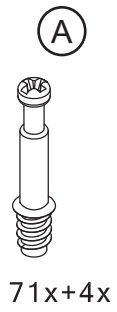
PACKAGE CONTENTS

CODE	DESCRIPTION	QTY
1	Top Panel	1
2	Bottom Panel	1
3	Left Lateral Panel	1
4	Medial Panel	1
5	Right Lateral Panel	1
6	Left Back Support Strip	1
7	Right Back Support Strip	1
8	Left Back Panel	2
9	Right Back Panel	2
10	Long Base Strip	2
11	Short Base Strip	4
12	Left Surround Trim	1
13	Right Surround Trim	1
14	Top Surround Trim	1

PACKAGE CONTENTS

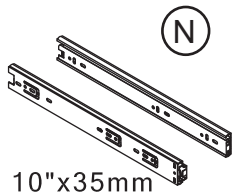
CODE	DESCRIPTION	QTY
15	Drawer Slider Block	3
16	Door Hinge Block	2
17	Storage Shelf Panel	1
18	Left Cabinet Door	1
19	Right Cabinet Door	1
20	Upper Drawer Front Panel	1
21	Middle Drawer Front Panel	1
22	Bottom Drawer Front Panel	1
23	Drawer Left Panel	3
24	Drawer Right Panel	3
25	Drawer Support Panel	3
26	Drawer Back Panel	3
27	Drawer Bottom Panel	3

PACKAGE CONTENTS



Install all hardware perpendicular to the opening.

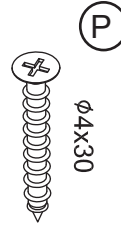
PACKAGE CONTENTS



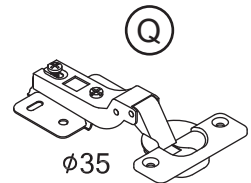
3x



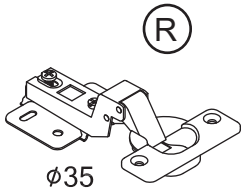
36x+3x



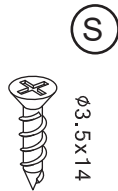
18x+1x



2x



2x



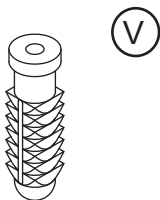
24x+2x



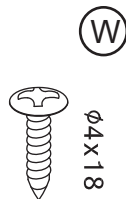
16x+1x



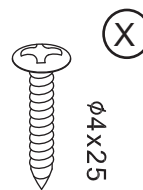
16x+1x



2x



2x



2x

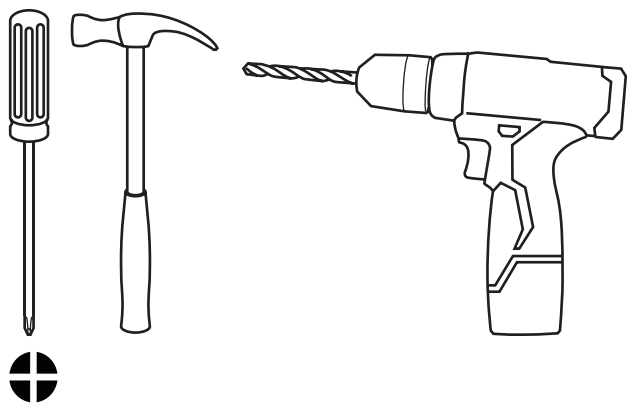


2x



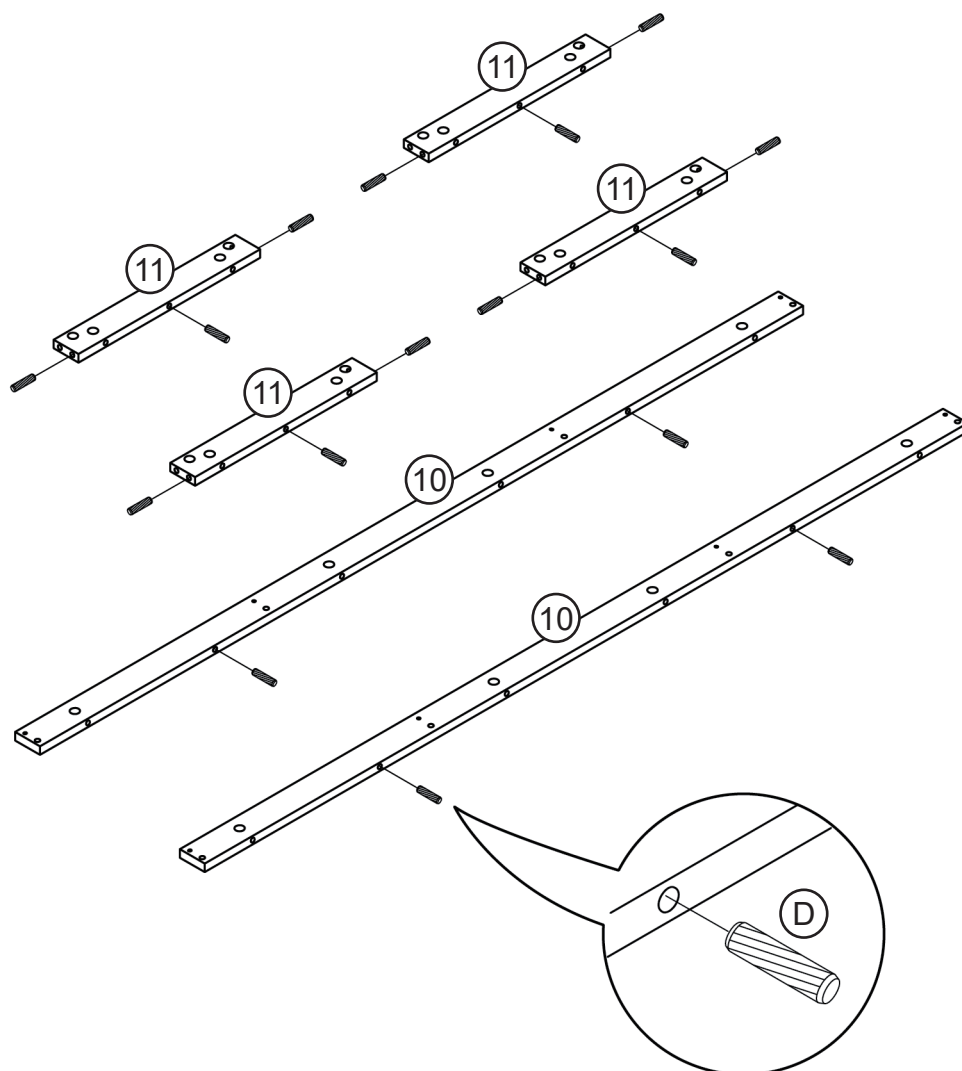
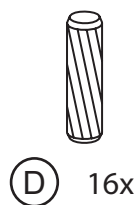
Install all hardware perpendicular to the opening.

Required tools for assembly (Not included)



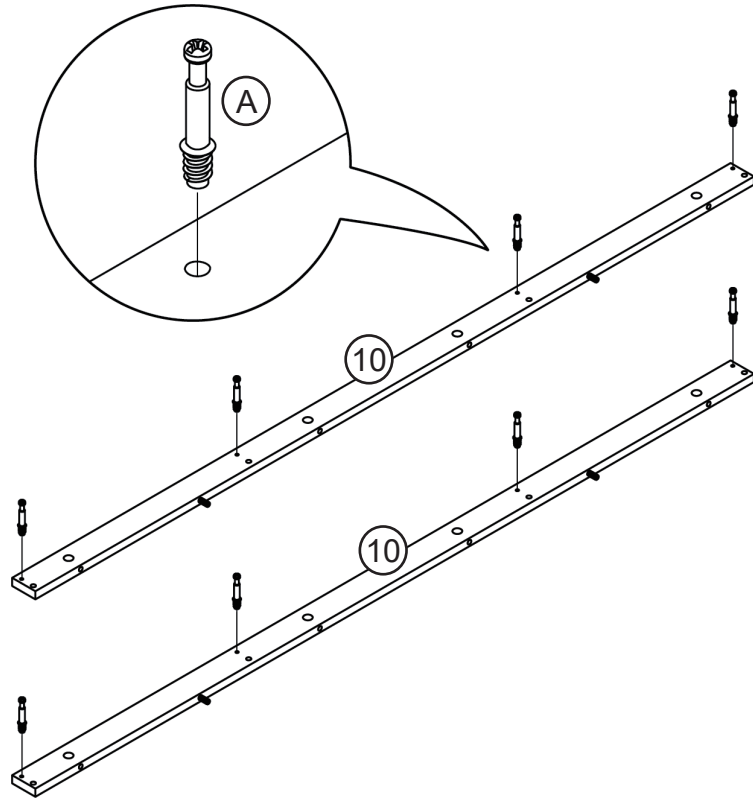
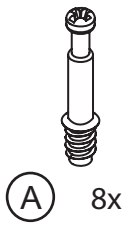
1

Insert wood dowels to the base strips (10, 11).



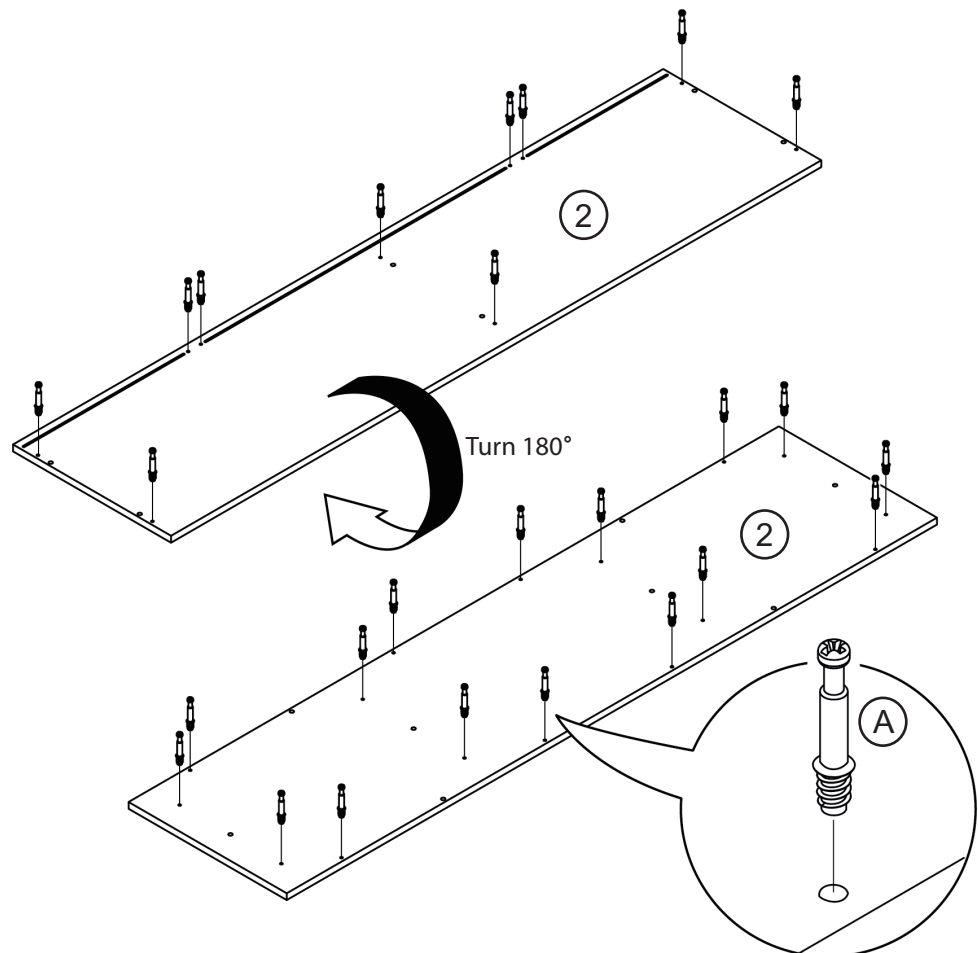
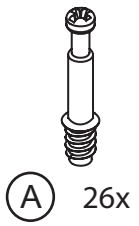
2

Attach cam bolts to the long base strips (10).



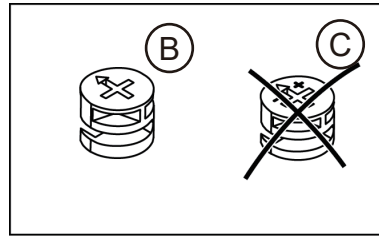
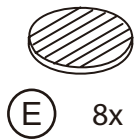
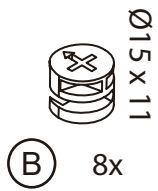
3

Attach cam bolts to both sides of the bottom panel (2).

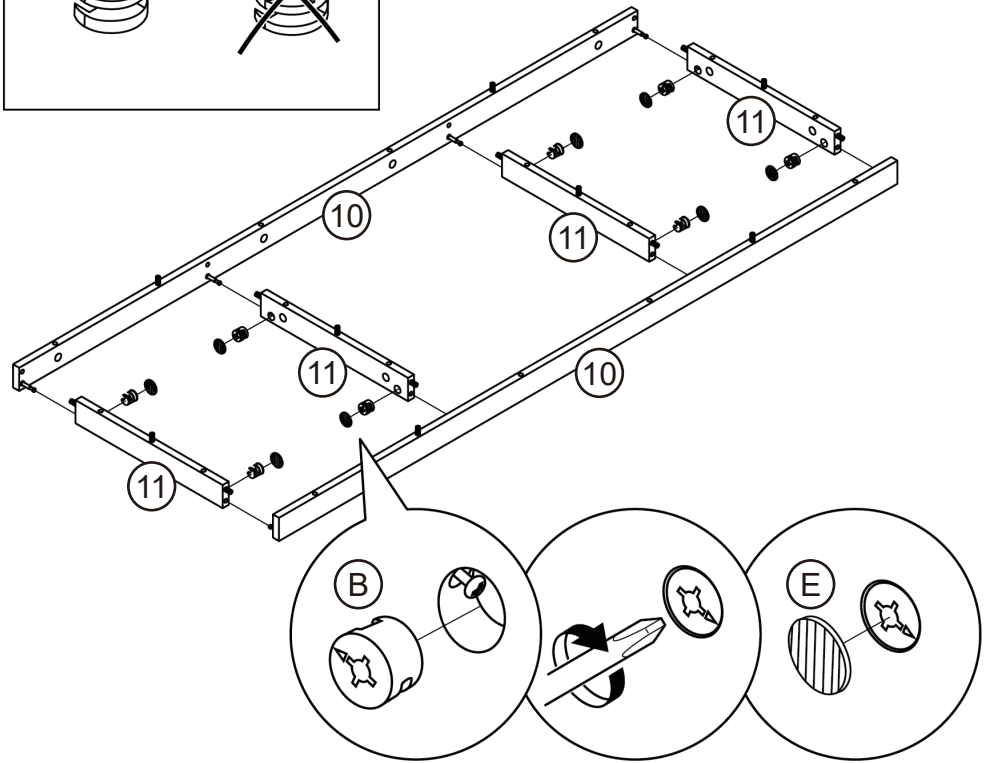


4

Assemble short base strips (11) between the long base strips (10).

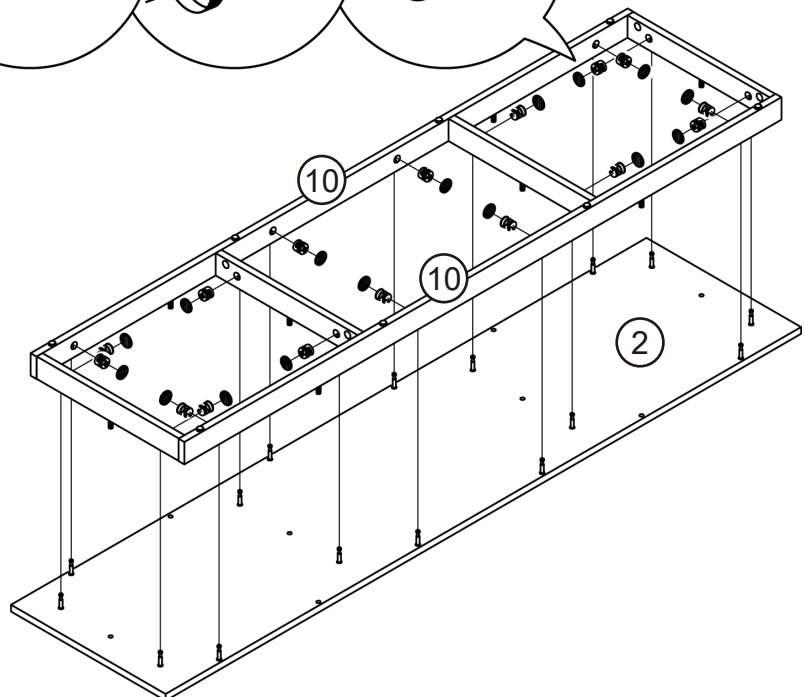
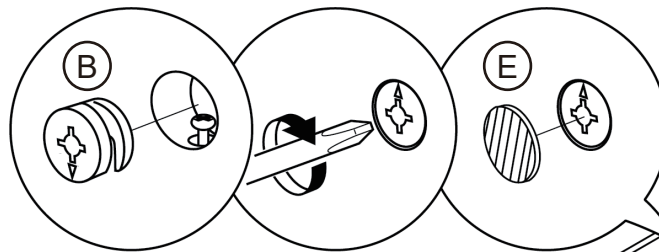
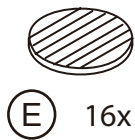
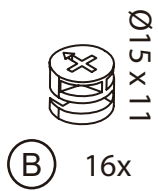


Note: Make sure to use the correct hardware.



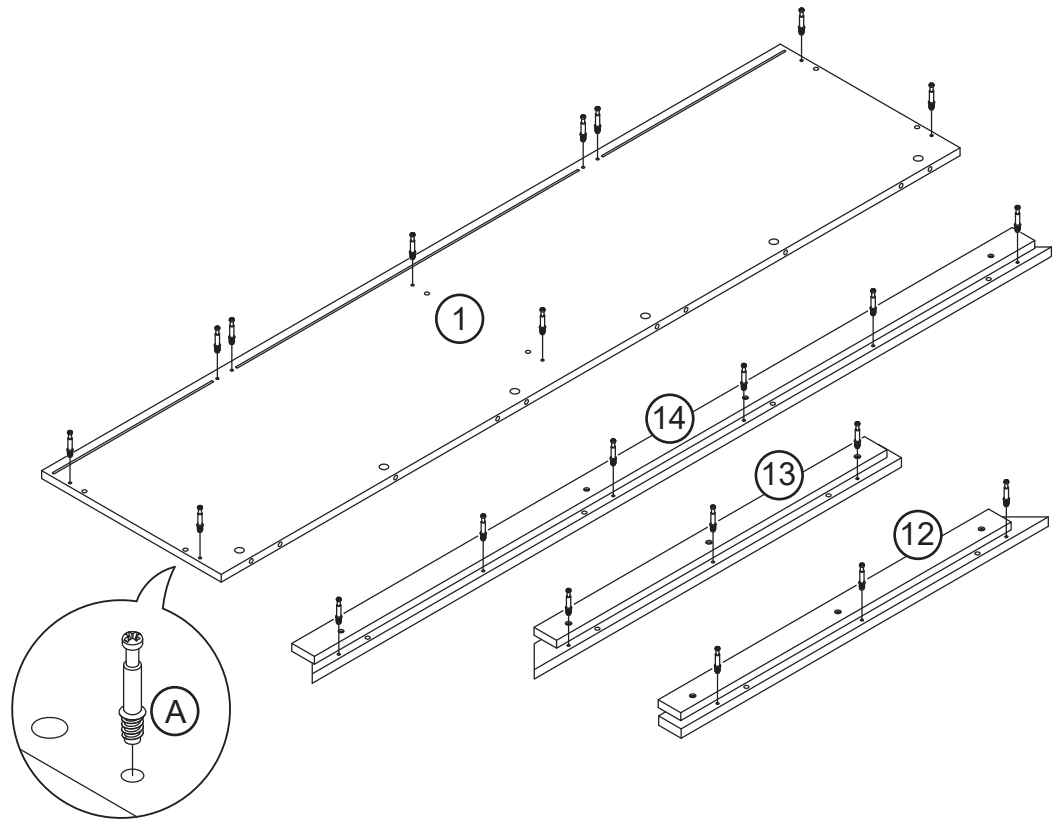
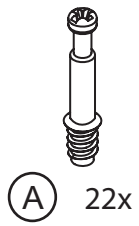
5

Assemble the base to the bottom panel (2).



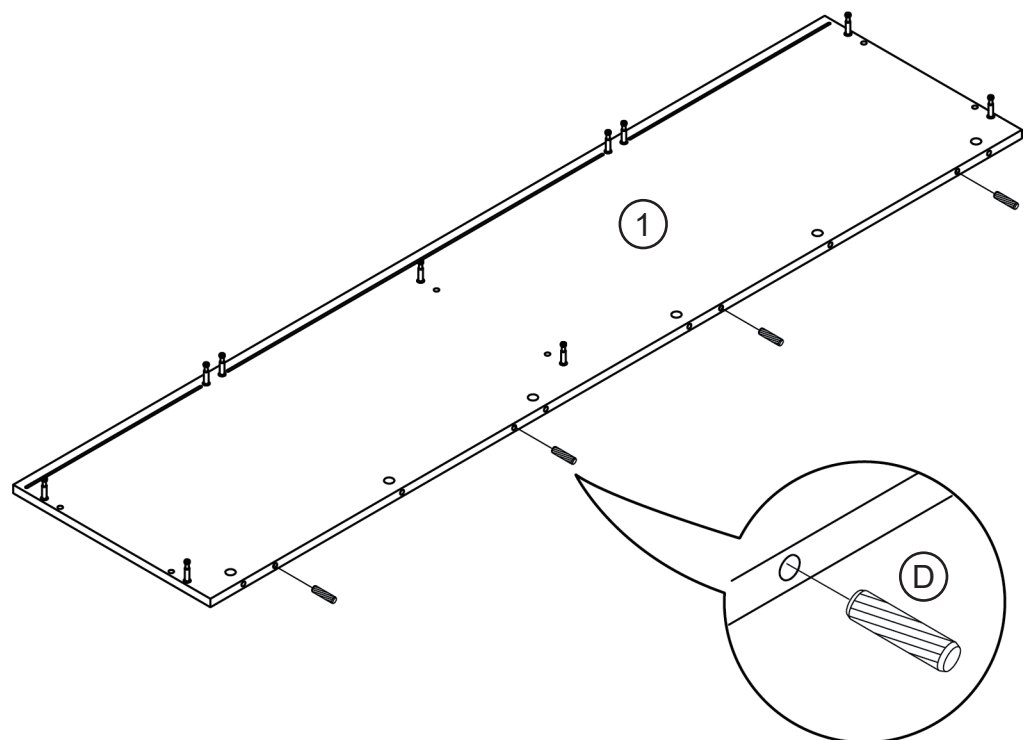
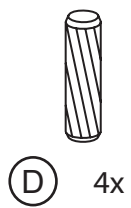
6

Attach cam bolts to the top panel (1) and the surround trims (12, 13, 14).



7

Insert wood dowels to the top panel (1).

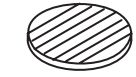


8

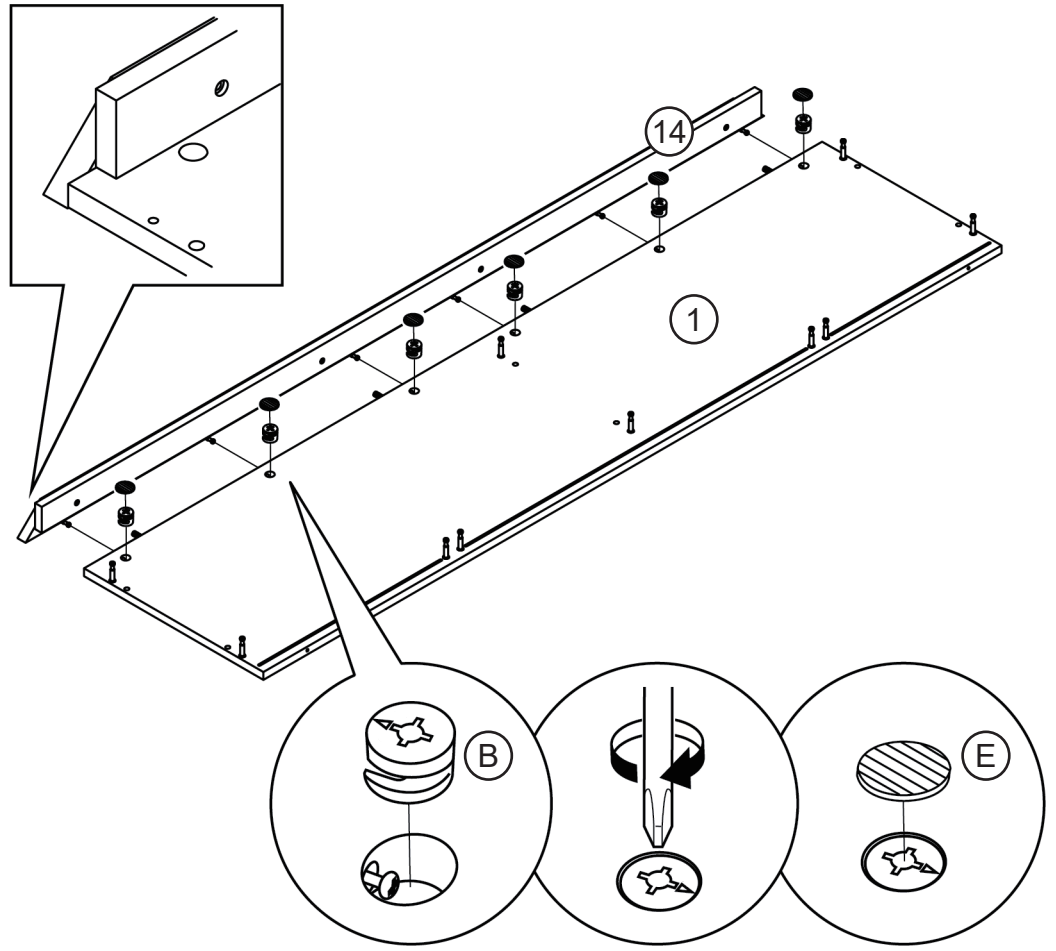
Attach the top surround trim (14) to the top panel (1).



(B) 6x

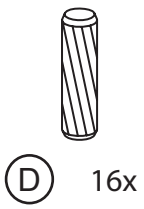


(E) 6x

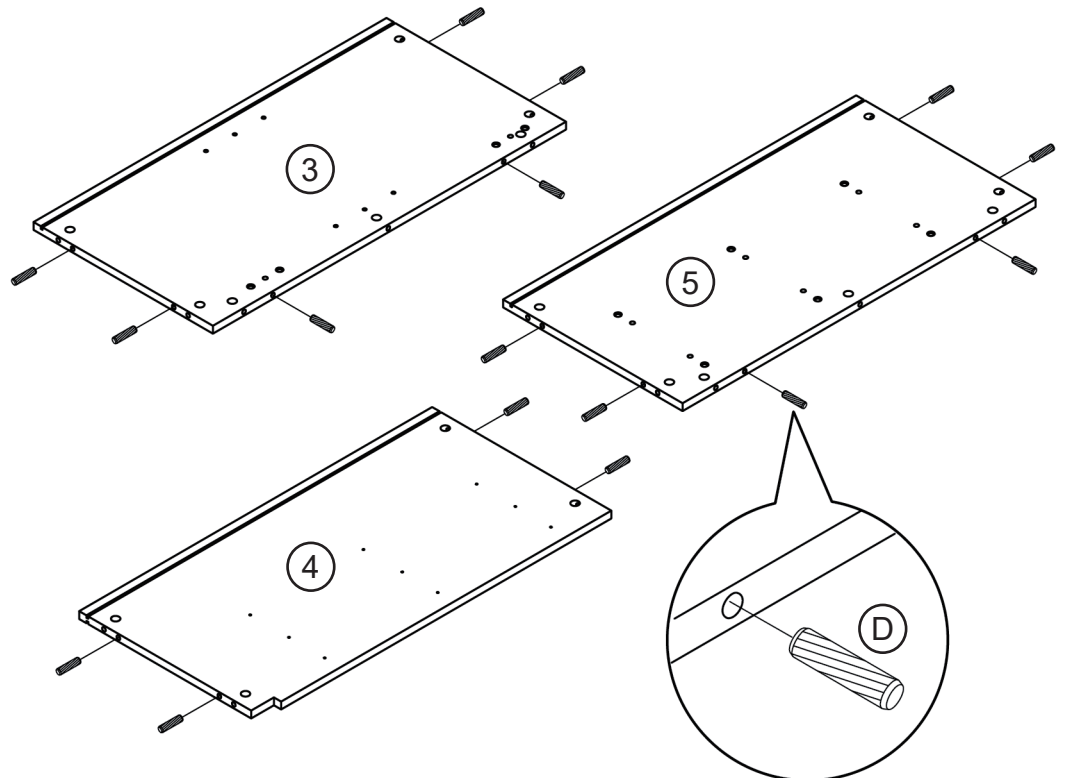


9

Insert wood dowels to the lateral panels (3, 5) and the medial panel (4).

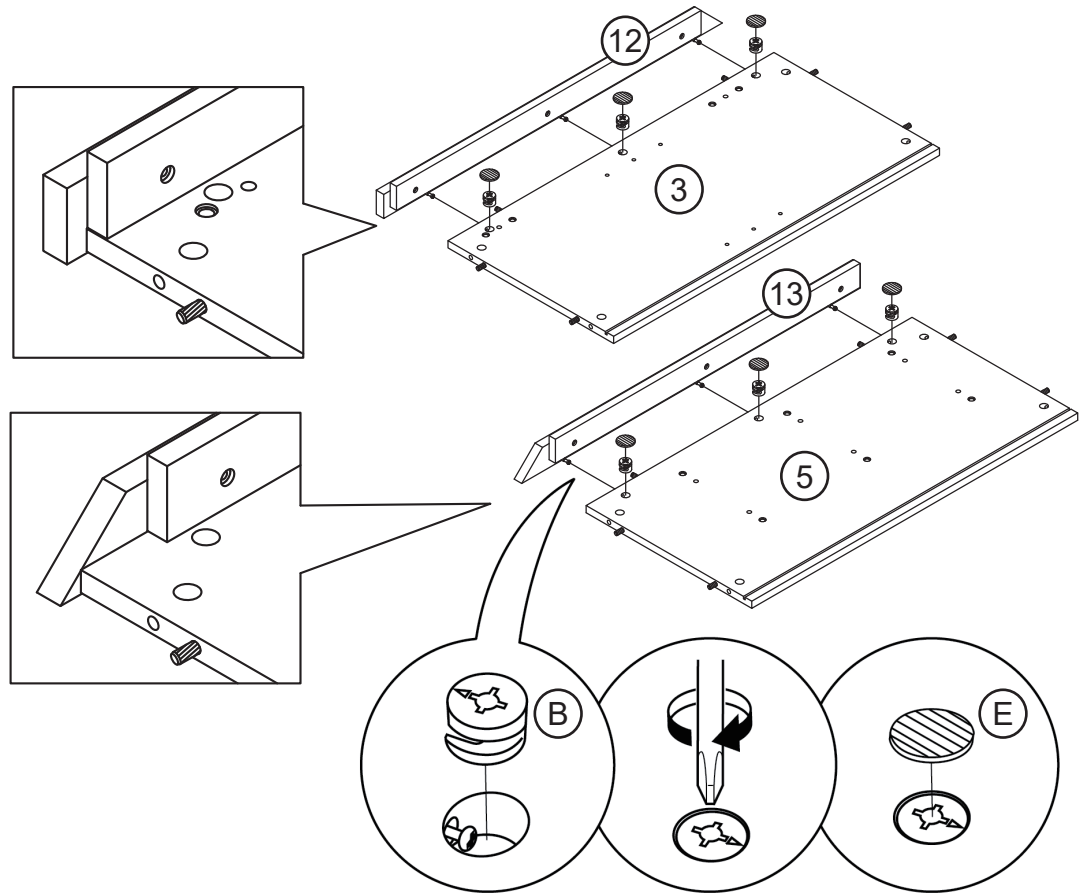
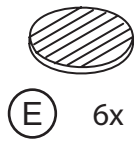
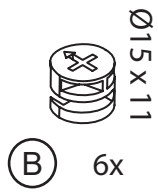


(D) 16x



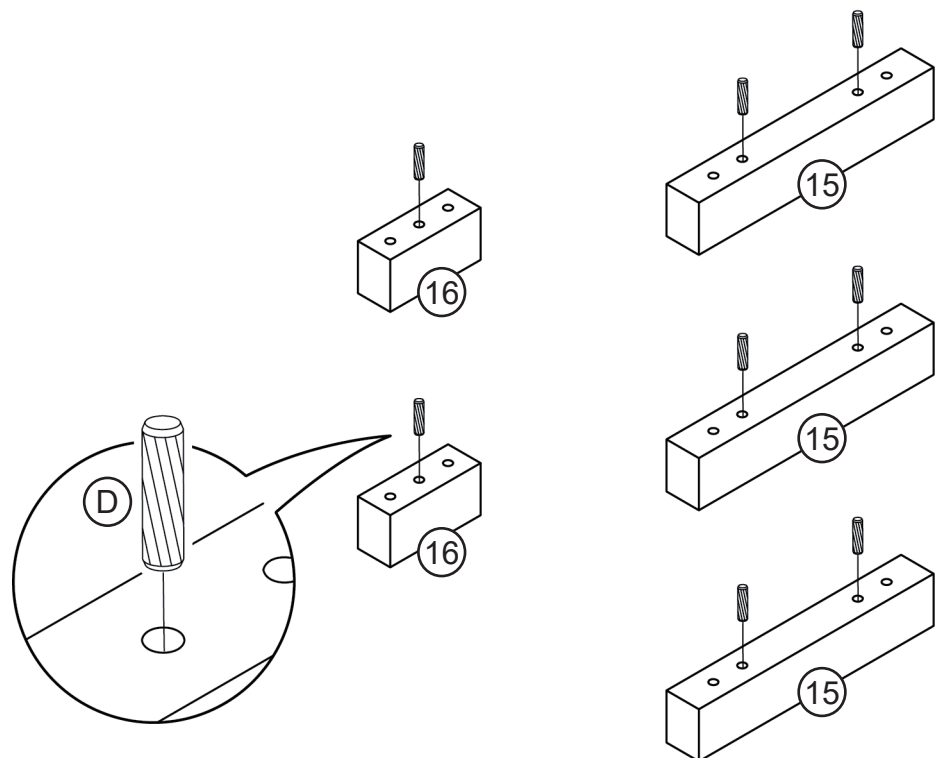
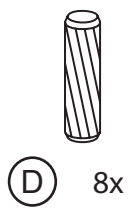
10

Assemble the left surround trim (12) to the left lateral panel (3), then assemble the right surround trim (13) to the right lateral panel (5).



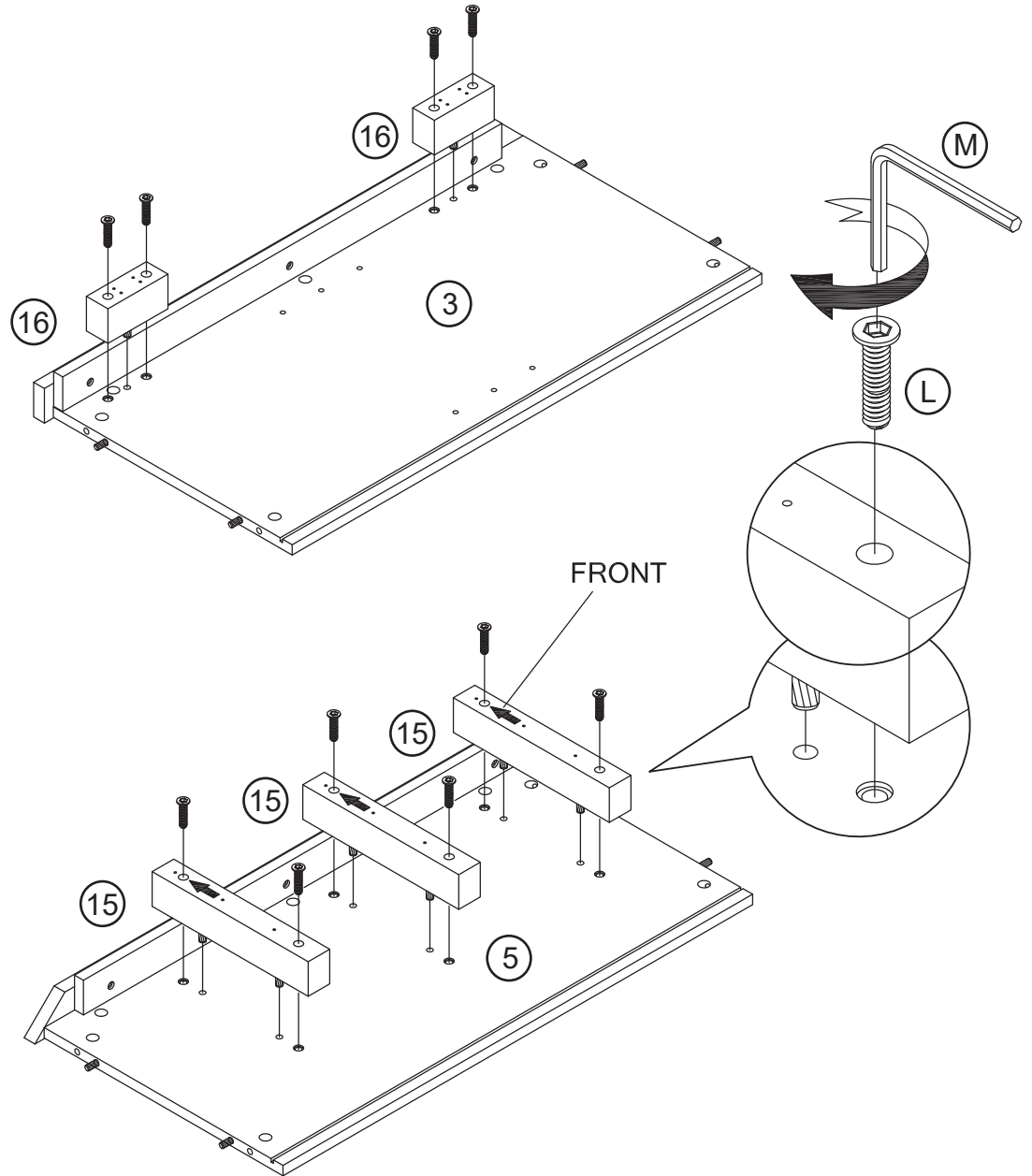
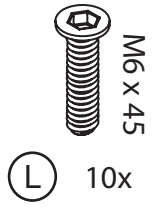
11

Insert wood dowels to the drawer slider blocks (15) and the door hinge blocks (16).



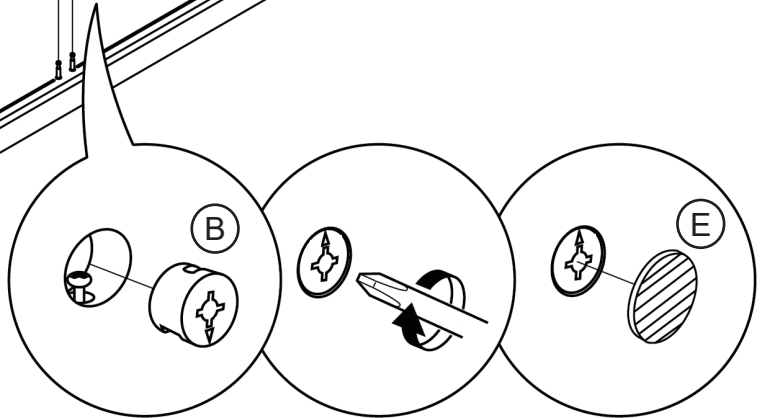
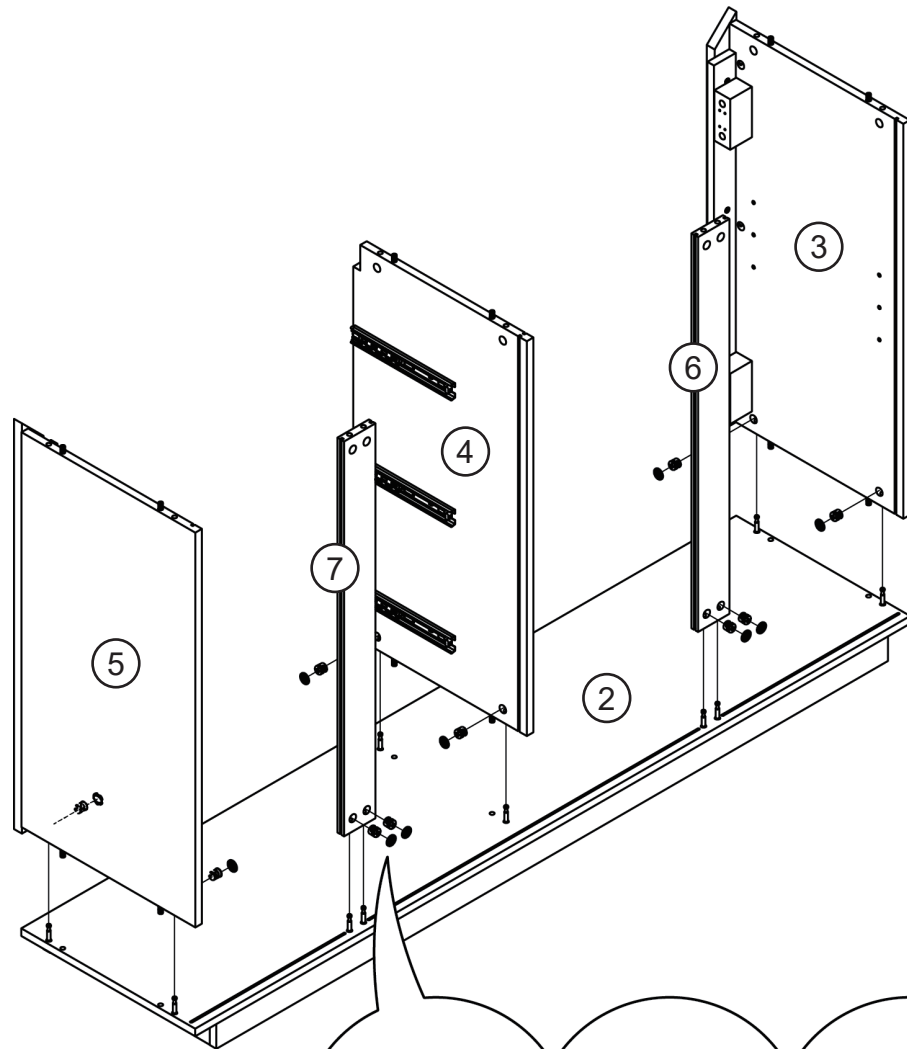
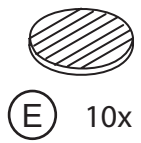
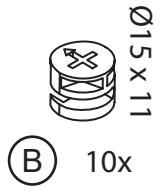
12

Assemble door hinge blocks (16) to the left lateral panel (3), then assemble drawer slider blocks (15) to the right lateral panel (5).



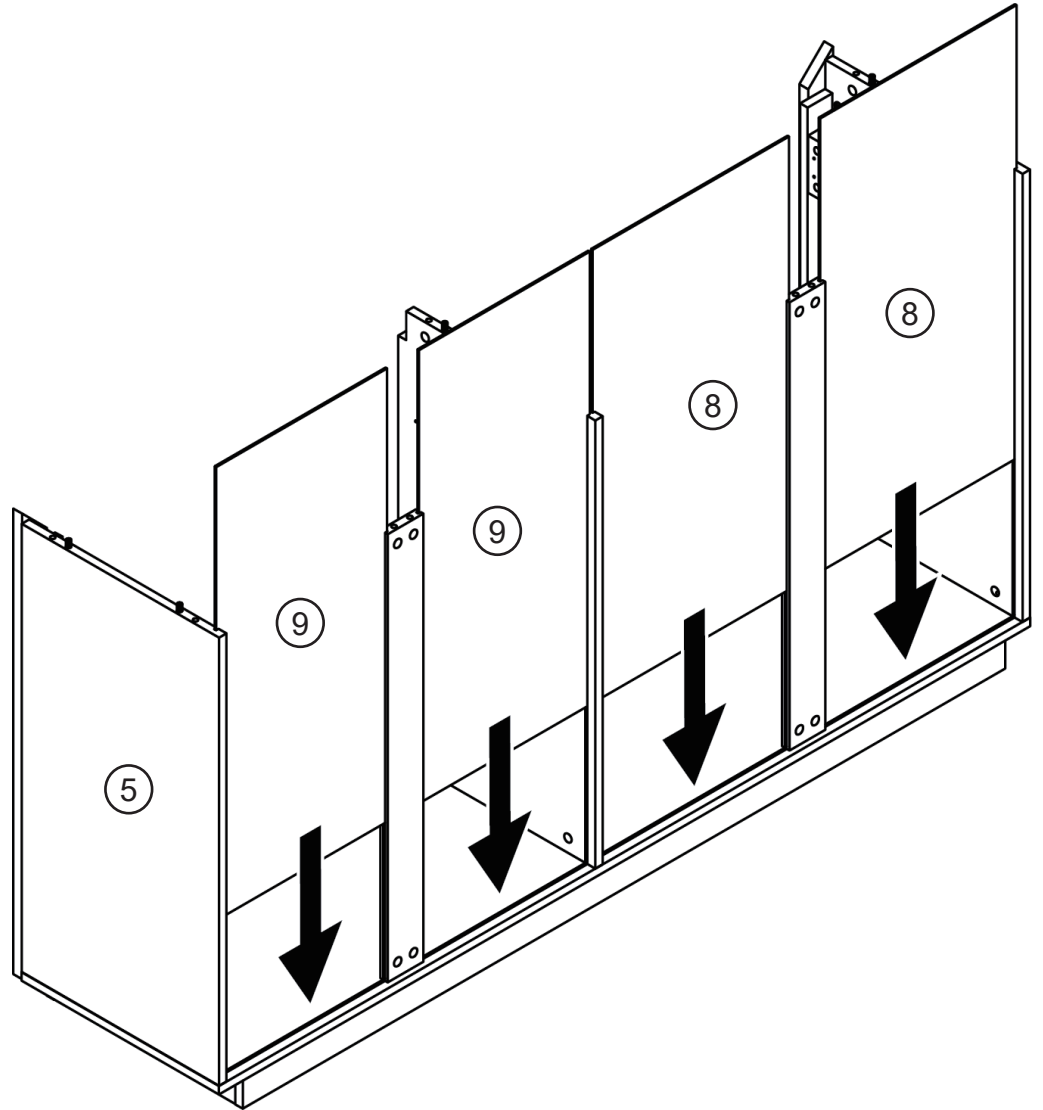
15

Attach lateral panels (3, 5), medial panel (4), and back support strips (6, 7) on the bottom panel (2).



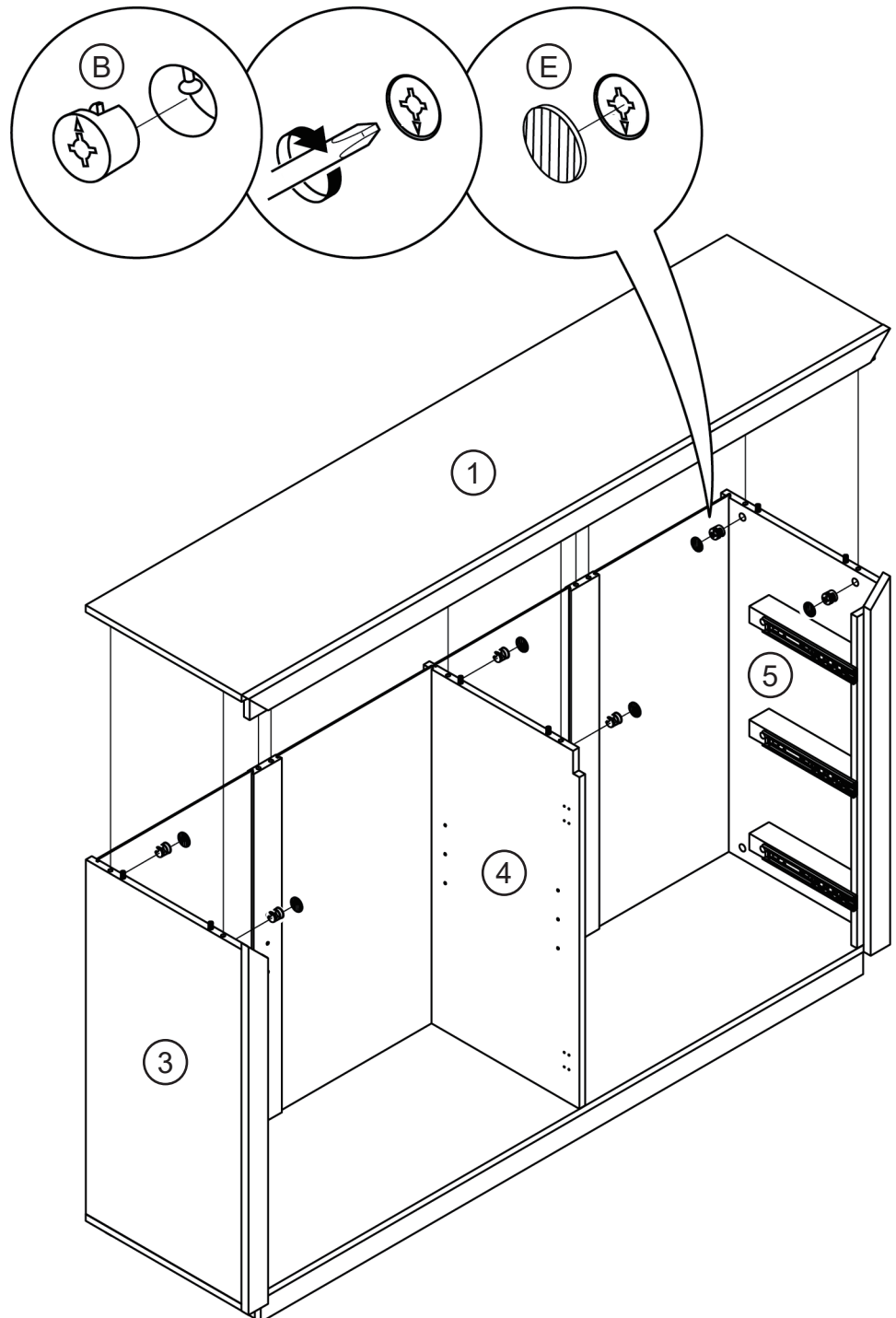
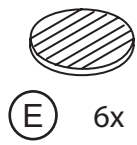
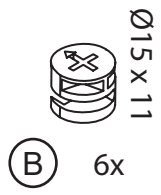
16

Slide back panels (8, 9) to the back of the sideboard assembly.



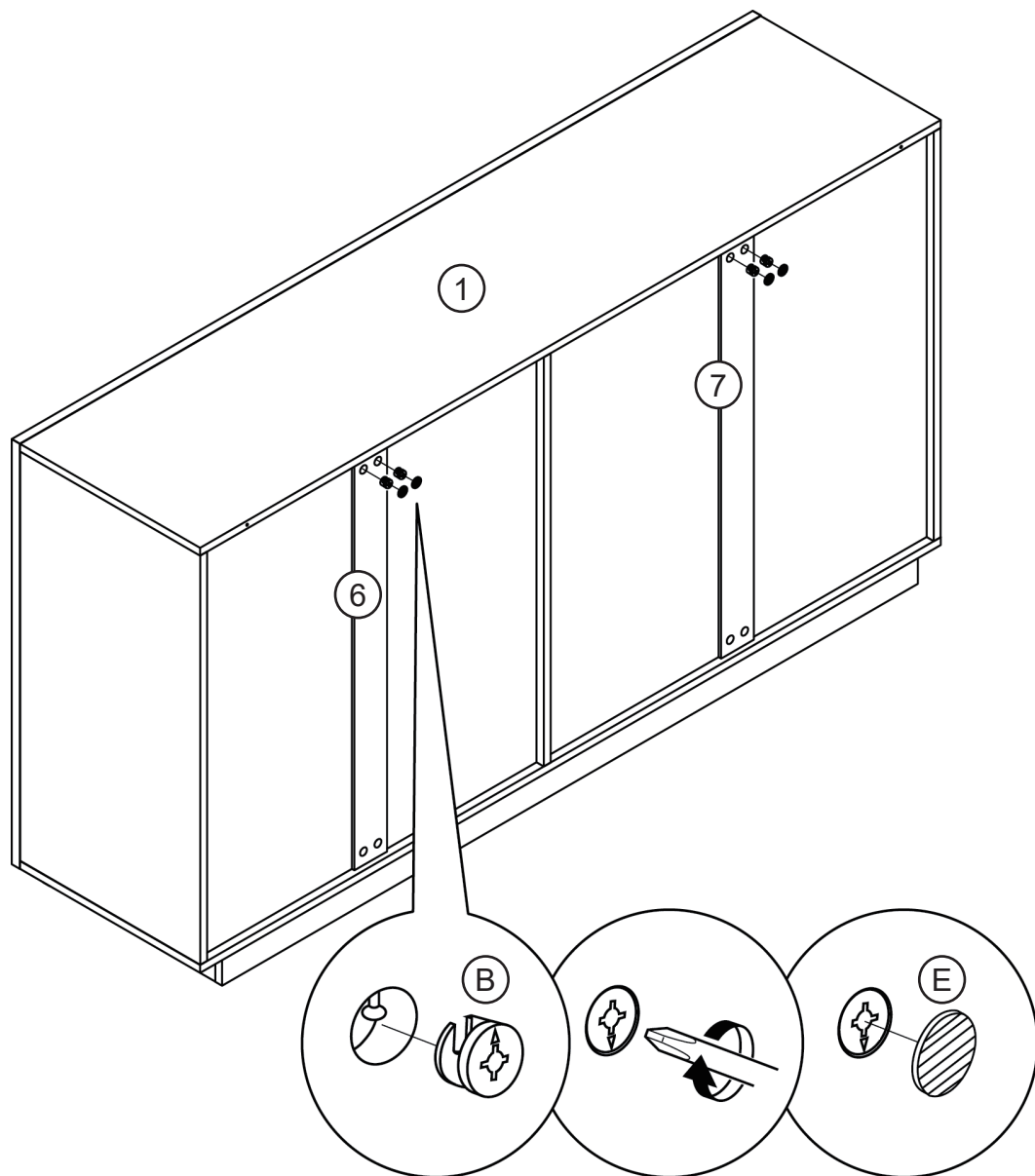
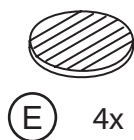
17

Assemble the top panel (1) on top of the sideboard assembly.



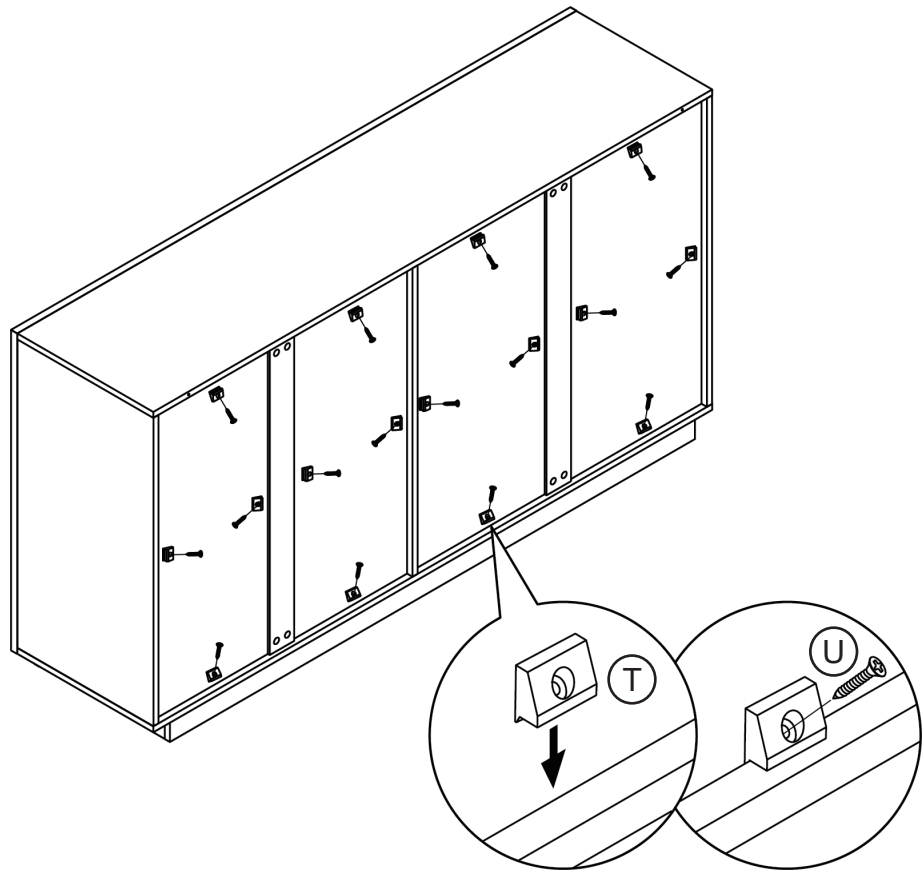
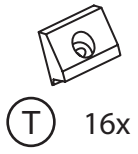
18

Secure the top panel to the support strips.



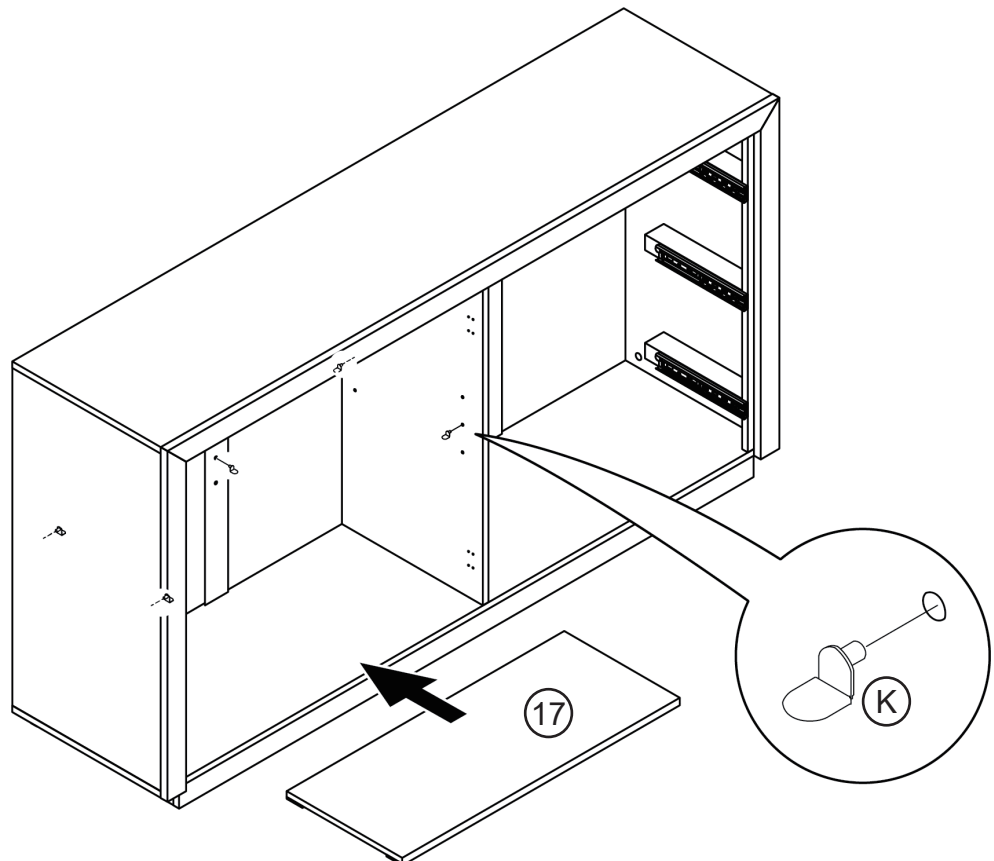
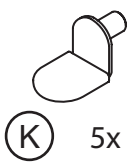
19

Secure the back panels in place.



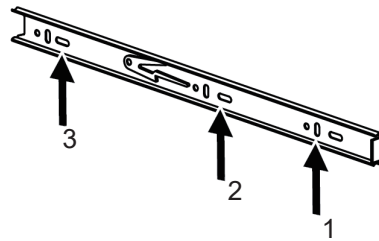
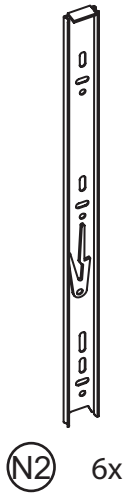
20

Insert shelf pegs into the sideboard and put on the storage shelf panel (17).

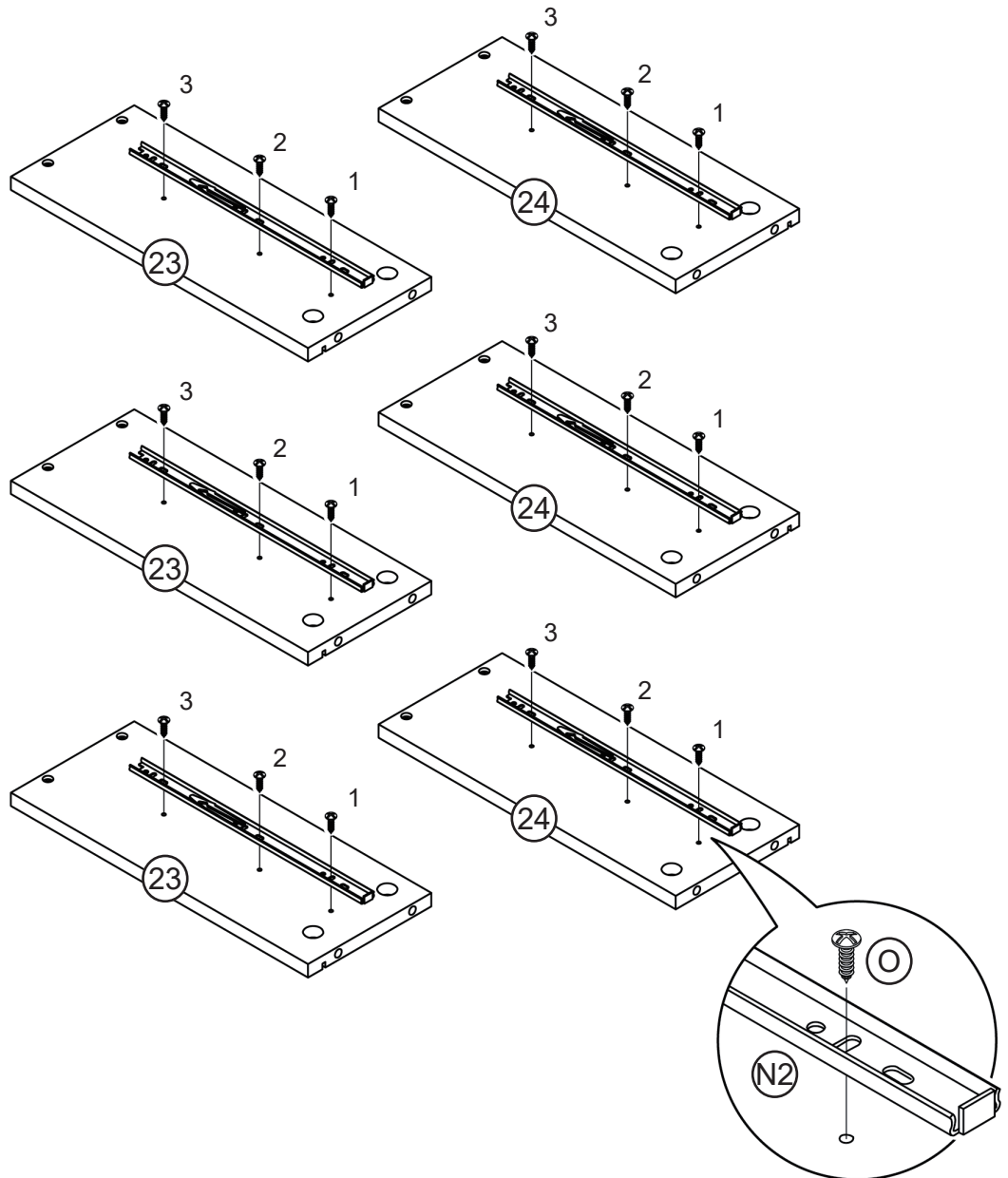


21

Attach sliders to the drawer left and right panels (23, 24).

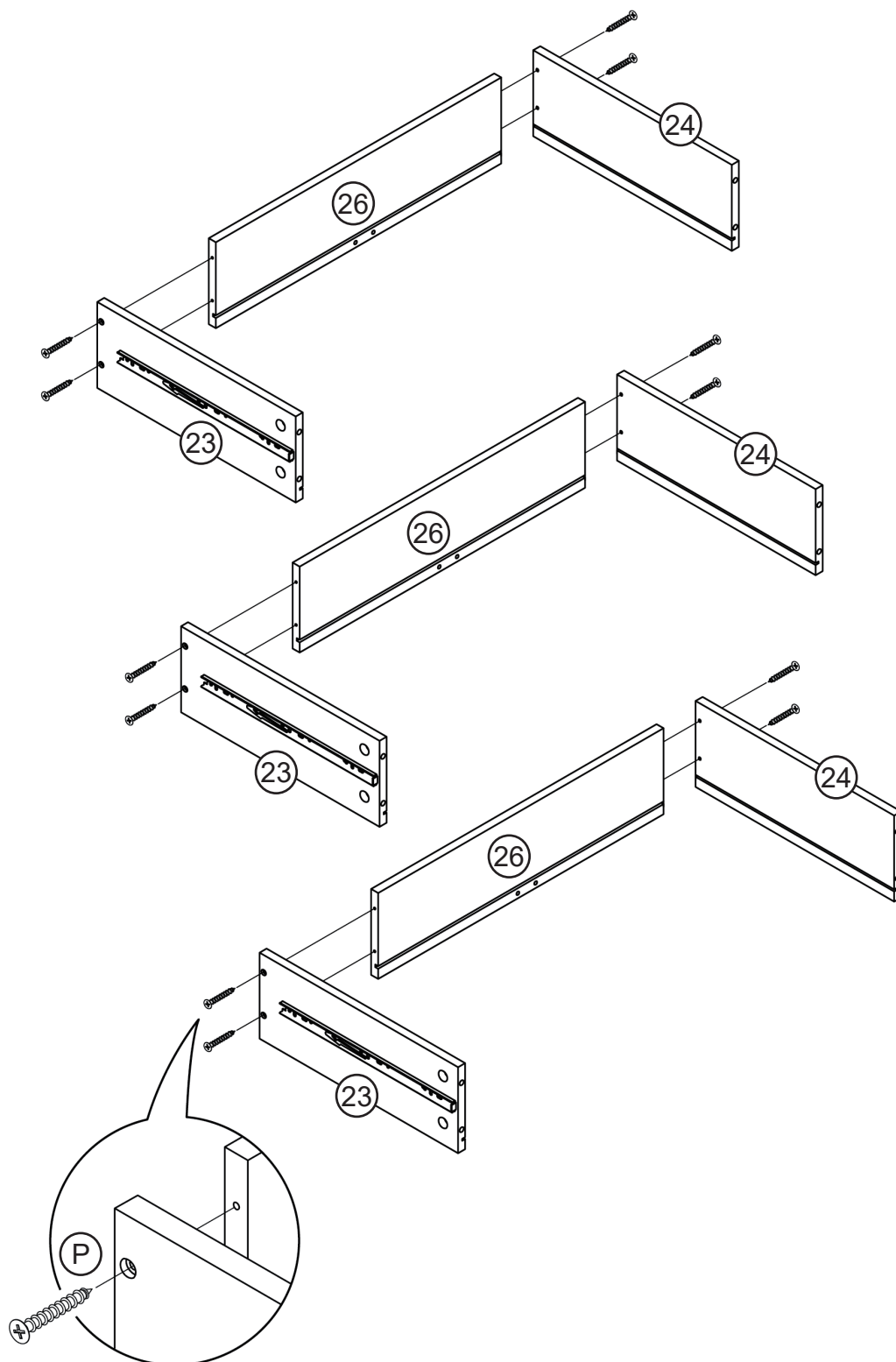


Note: Make sure to insert screws in the correct opening.

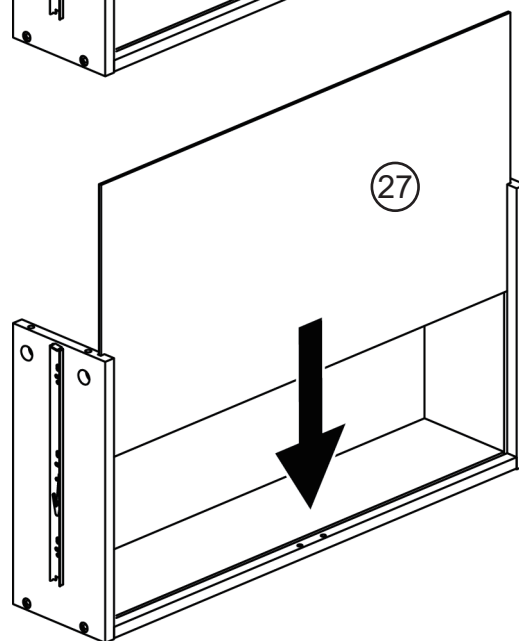
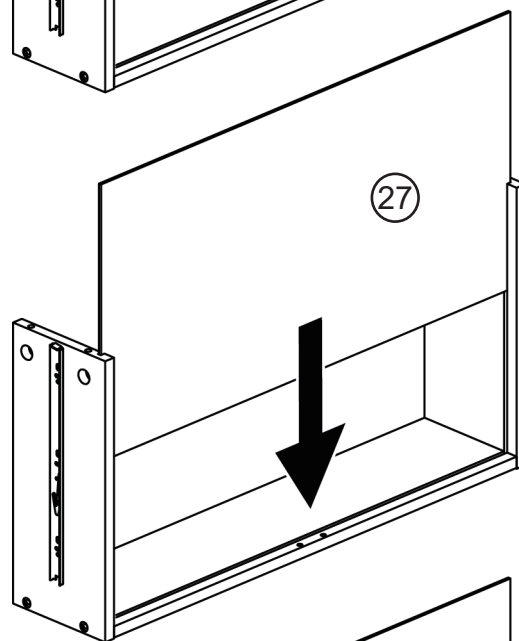
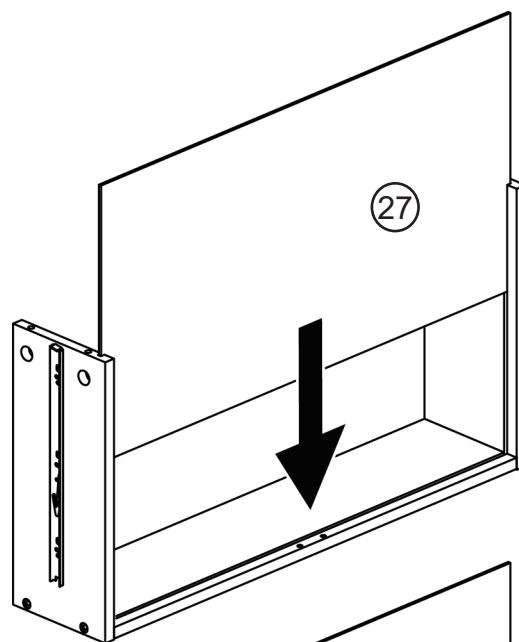


22

Assemble drawer back panels (26) between the drawer left and right panels (23, 24).

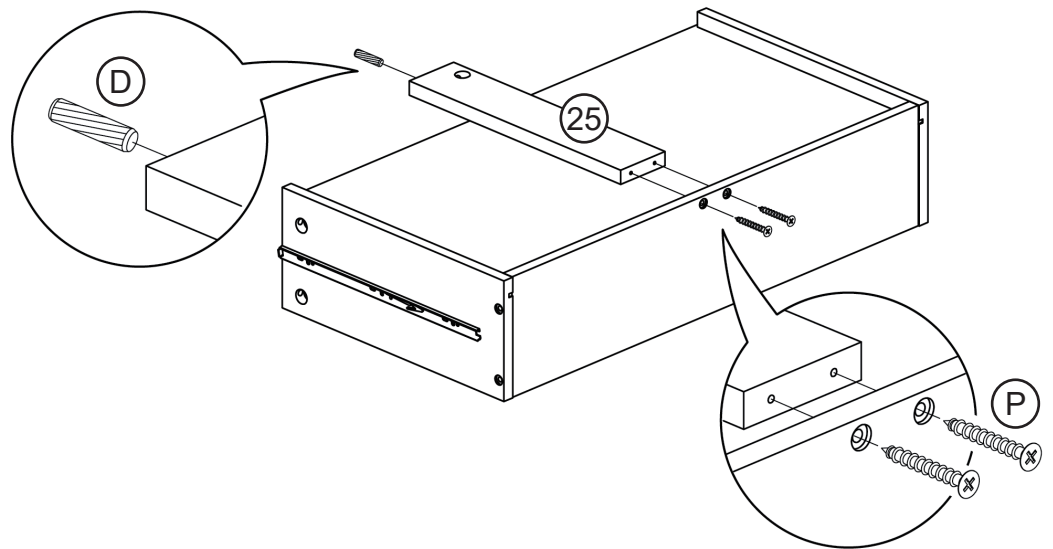
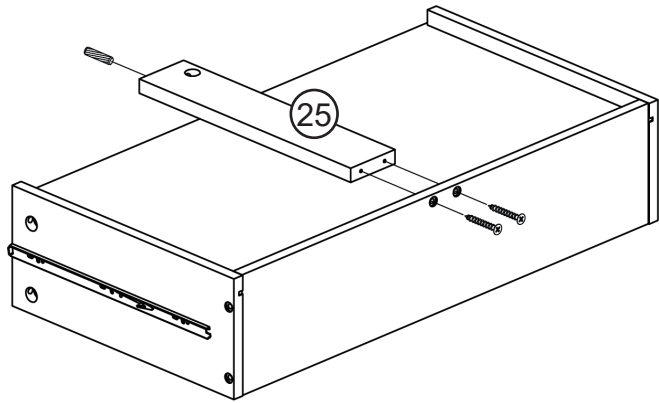
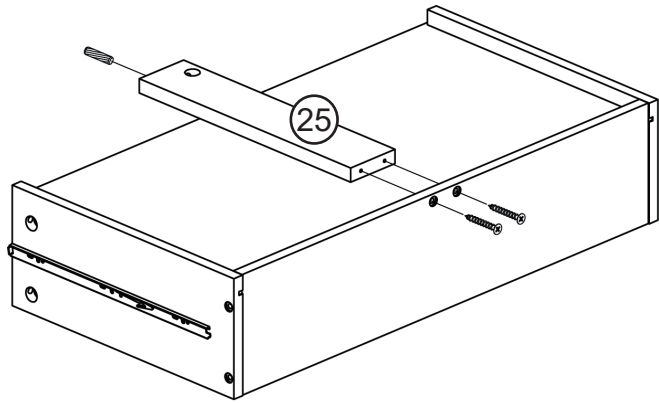
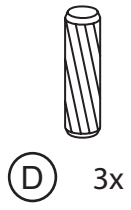


Slide the drawer bottom panels into the drawer assemblies.



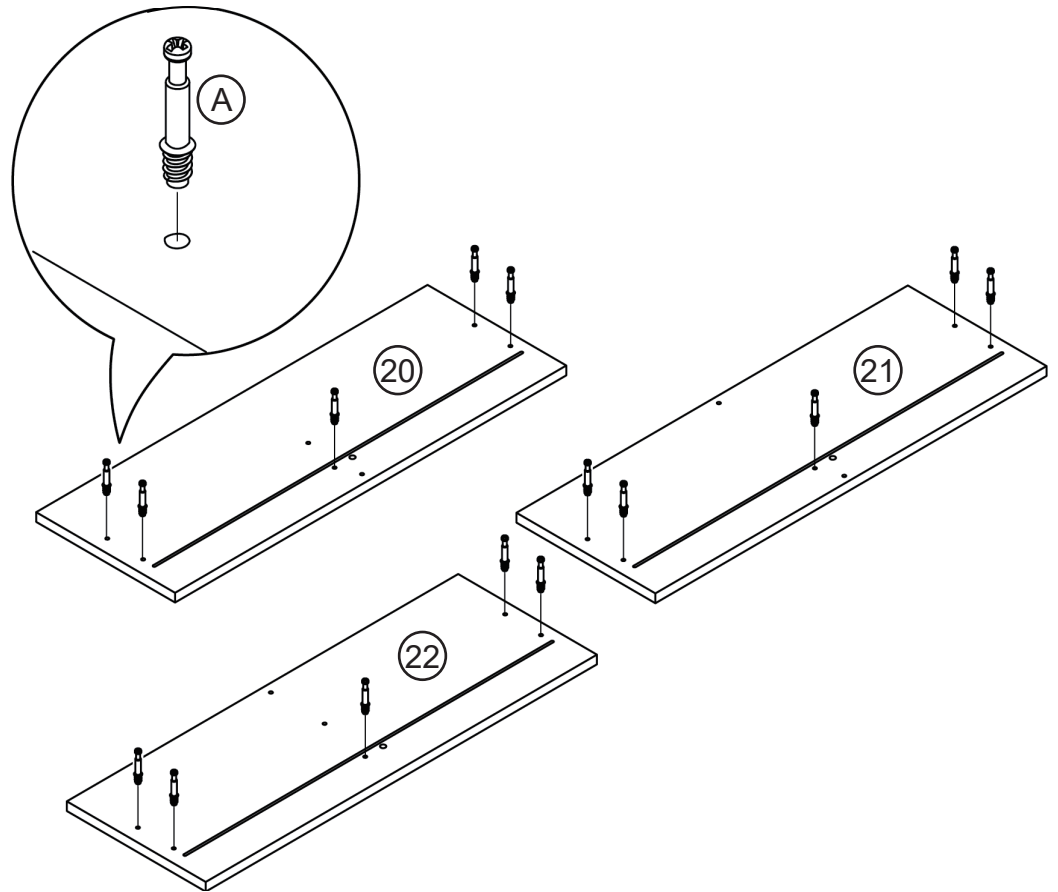
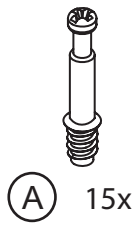
24

Attach drawer support panels (25) to the drawer assemblies.



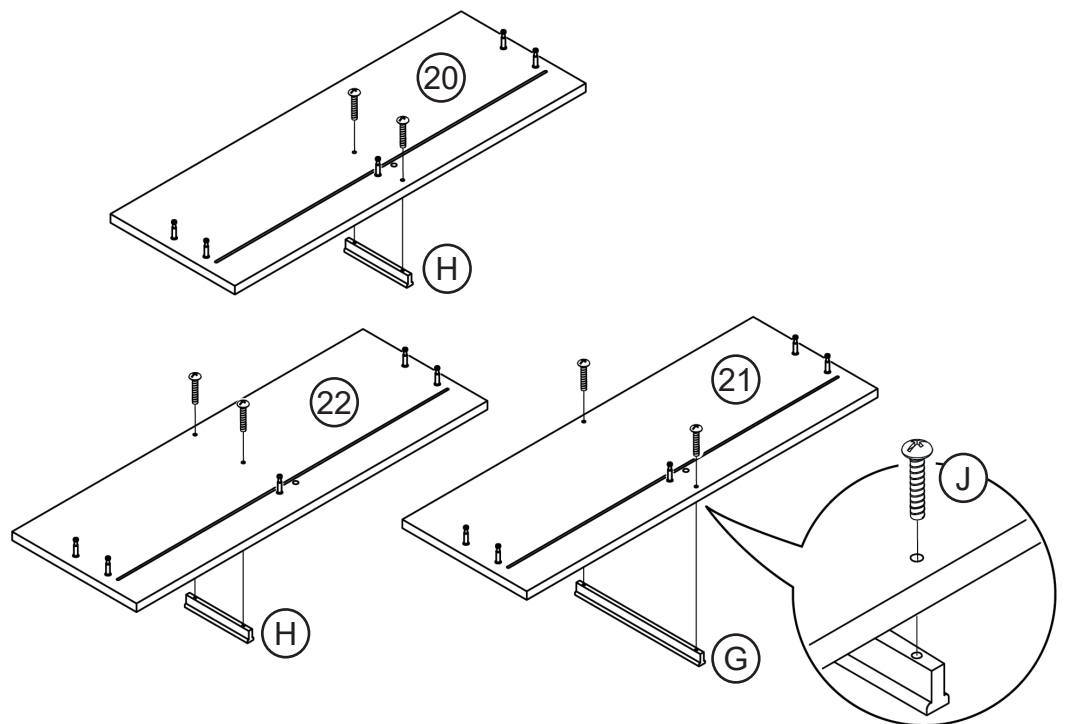
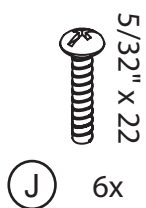
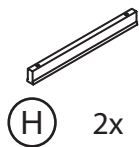
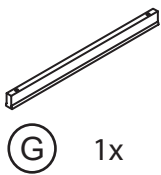
25

Attach cam bolts to the drawer front panels (20, 21, 22).



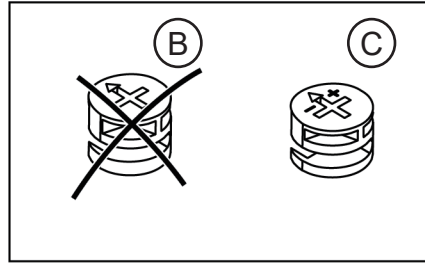
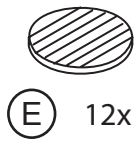
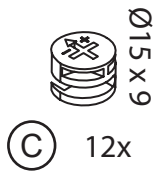
26

Attach drawer handles to the drawer front panels.

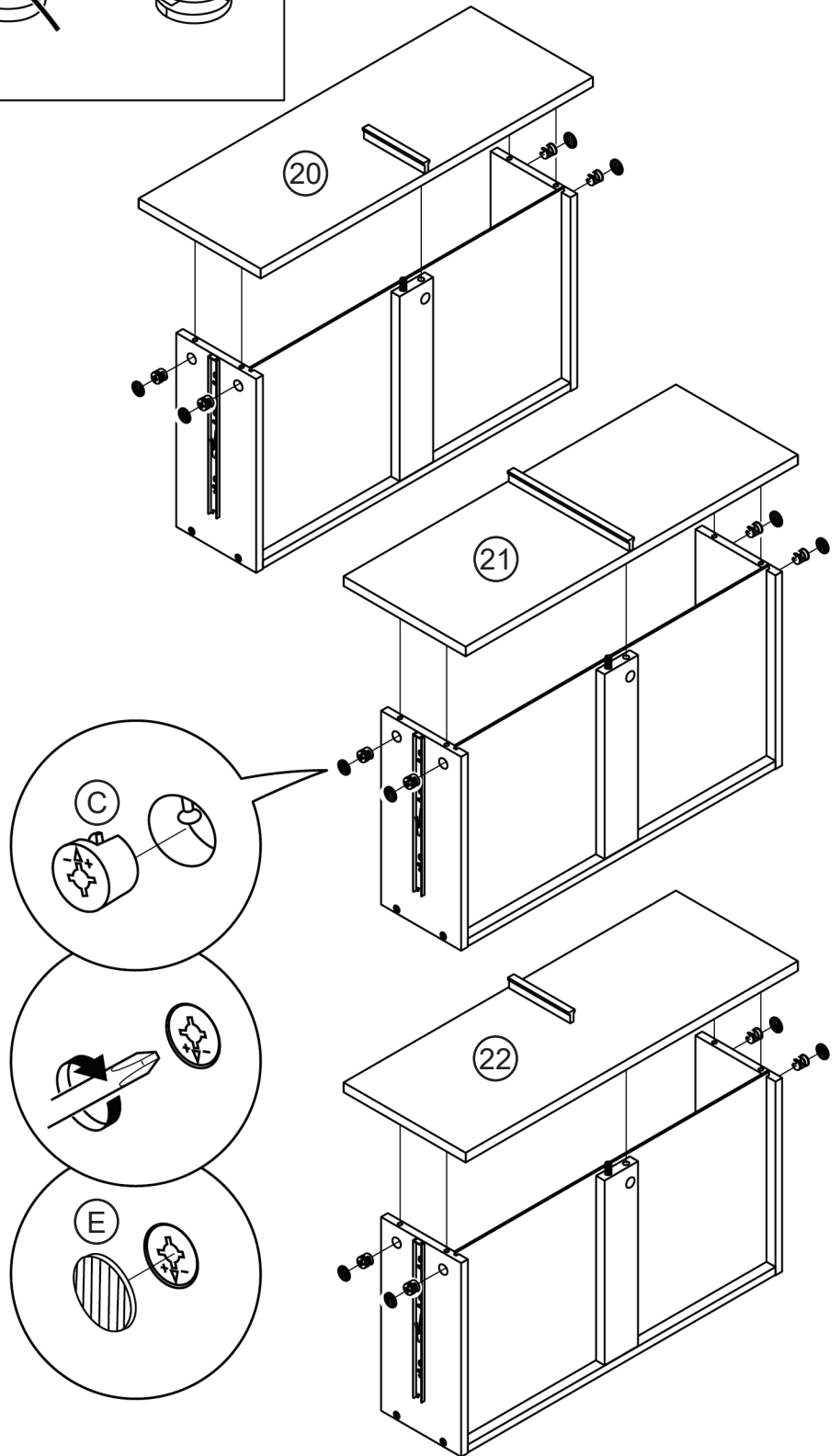


27

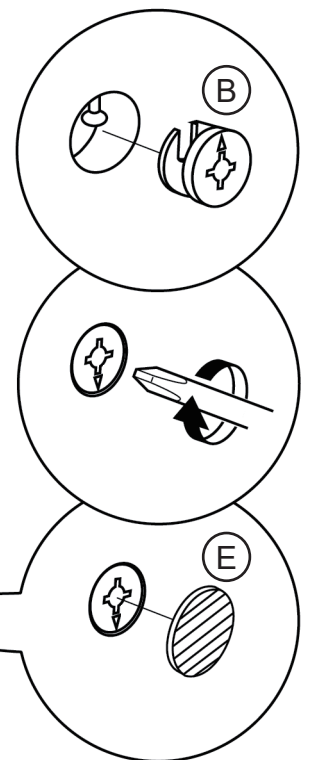
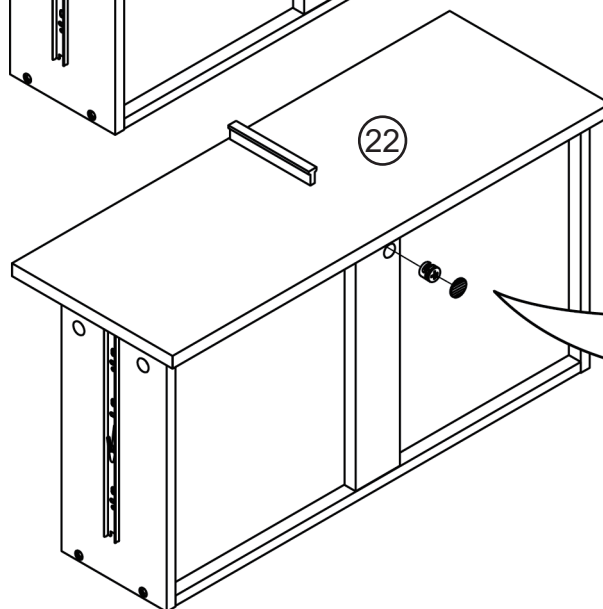
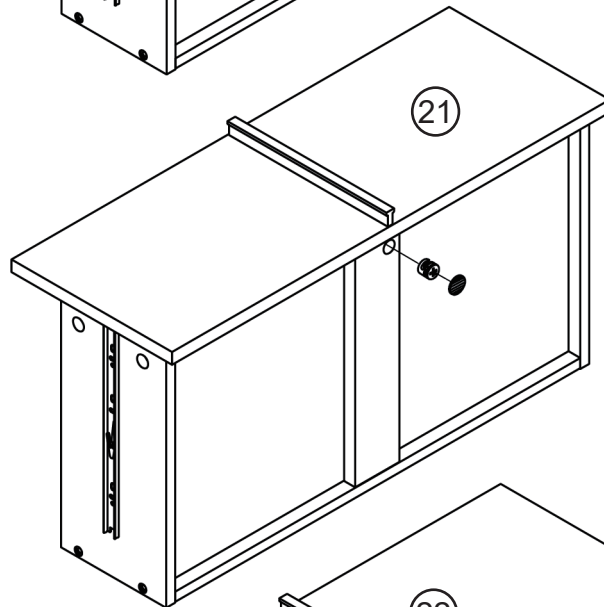
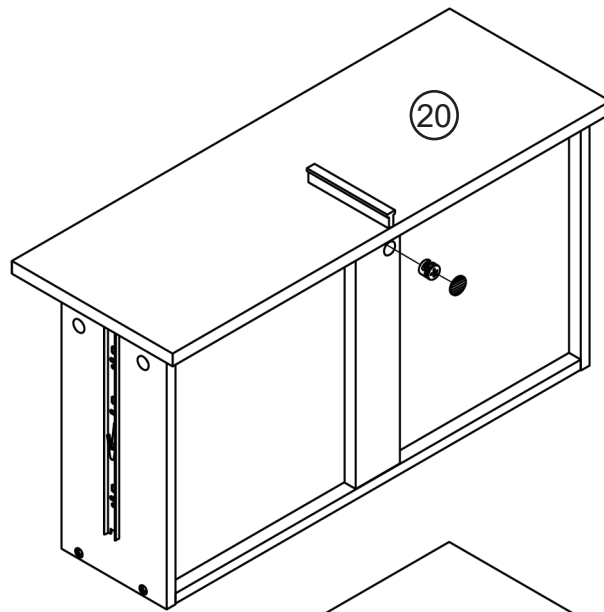
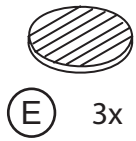
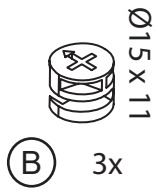
Assemble the drawer front panels (20, 21, 22) to the drawer assemblies.



Note: Make sure to use the correct hardware.

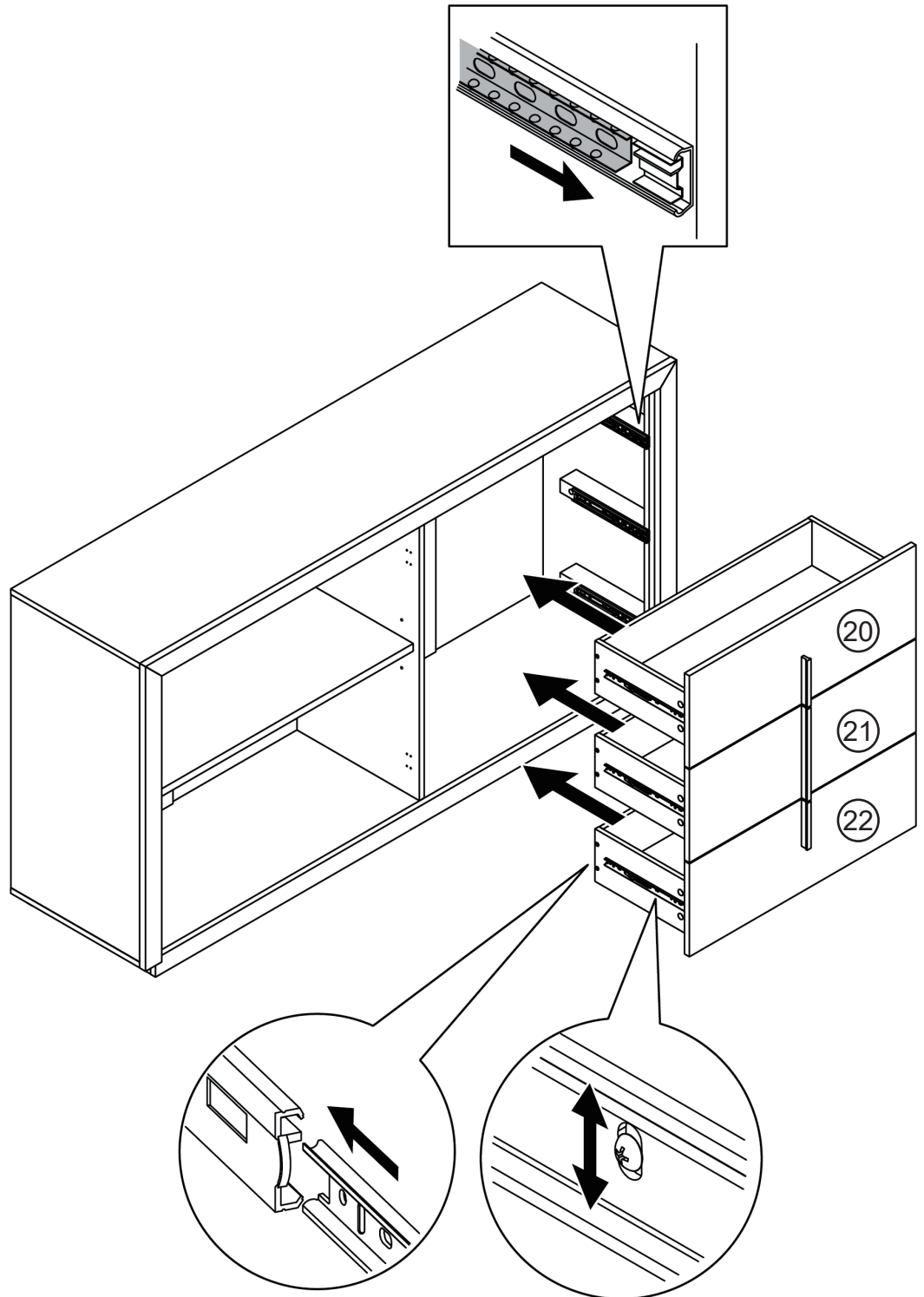


Further secure the drawer front panel to the drawer support panel.



Slide drawers into the sideboard.

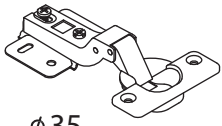
Slide the slider plate to the forward position.



Up and down adjustment by loosening the screws on the slide runner.

30

Attach door hinges to the left cabinet door (18).



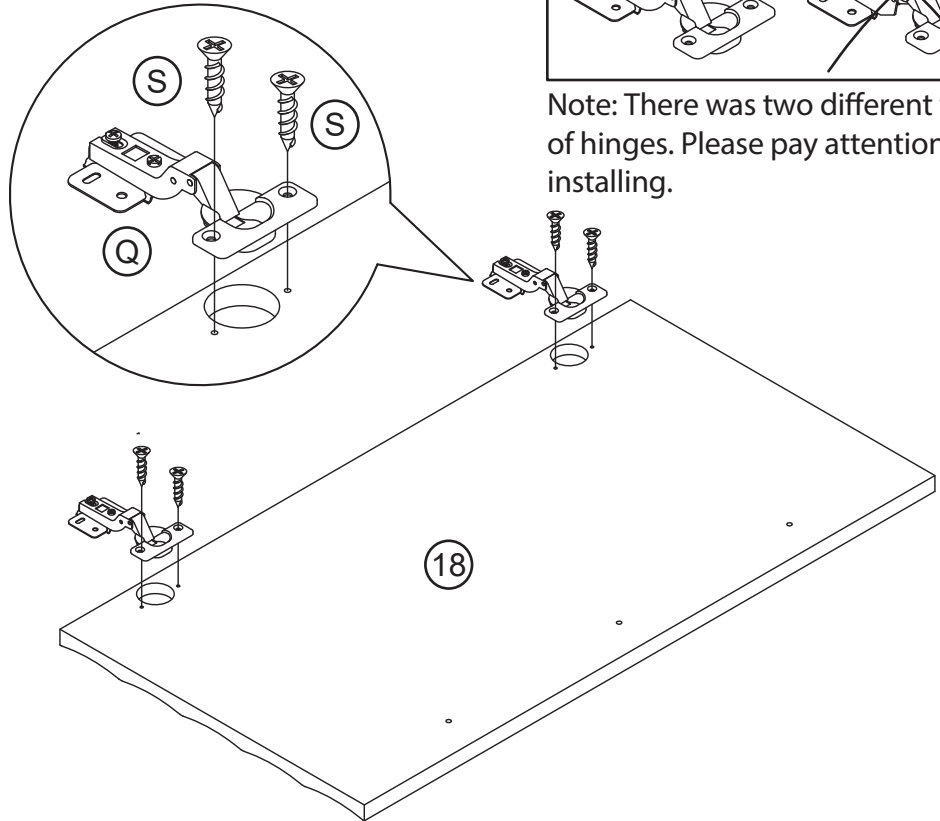
Ø35

Q 2x



Ø3.5 x 14

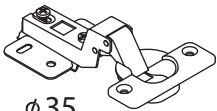
S 4x



Note: There was two different type of hinges. Please pay attention when installing.

31

Attach door hinges to the Right cabinet door (19).



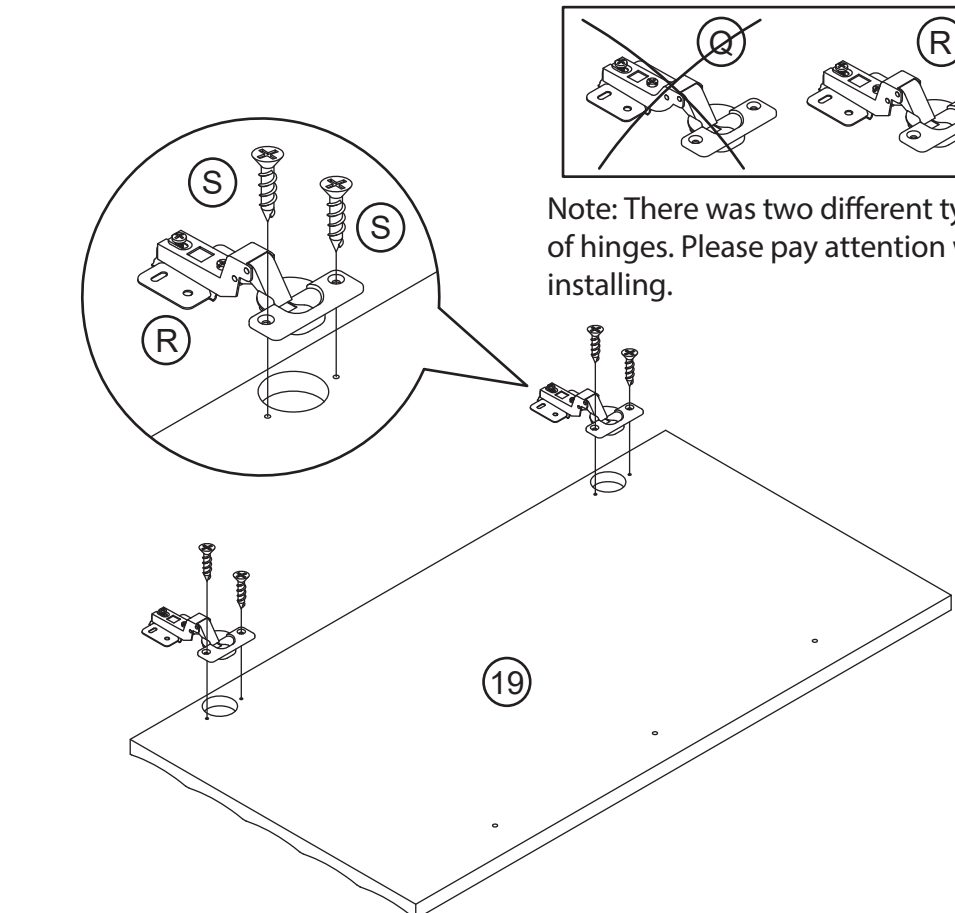
Ø35

R 2x



Ø3.5 x 14

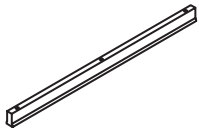
S 4x



Note: There was two different type of hinges. Please pay attention when installing.

32

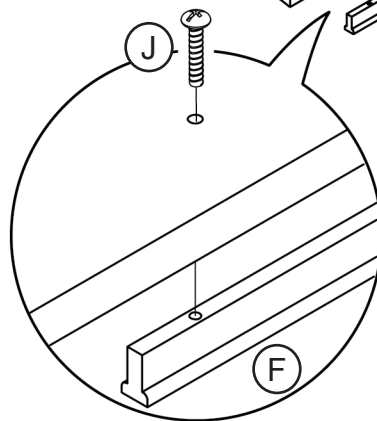
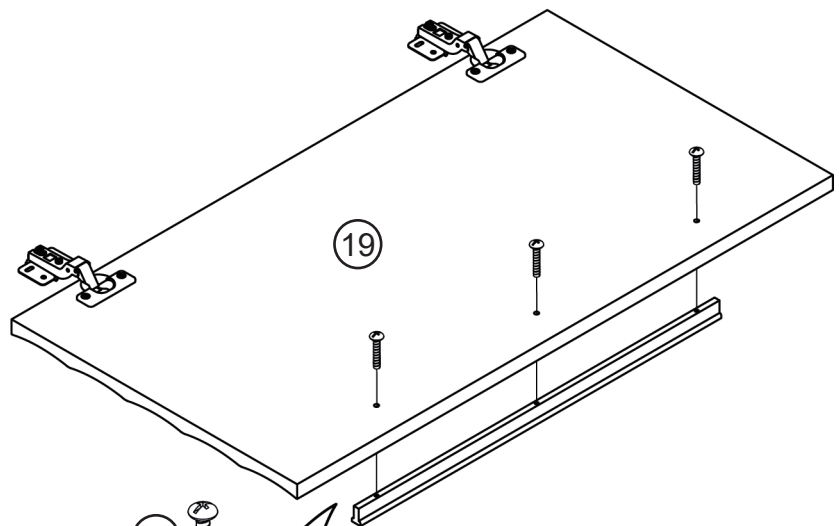
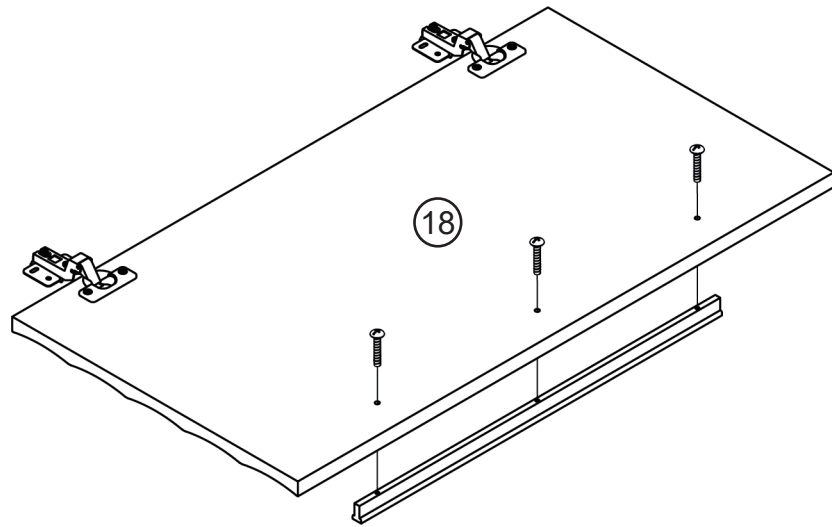
Attach door handles to the cabinet doors (18, 19).



(F) 2x

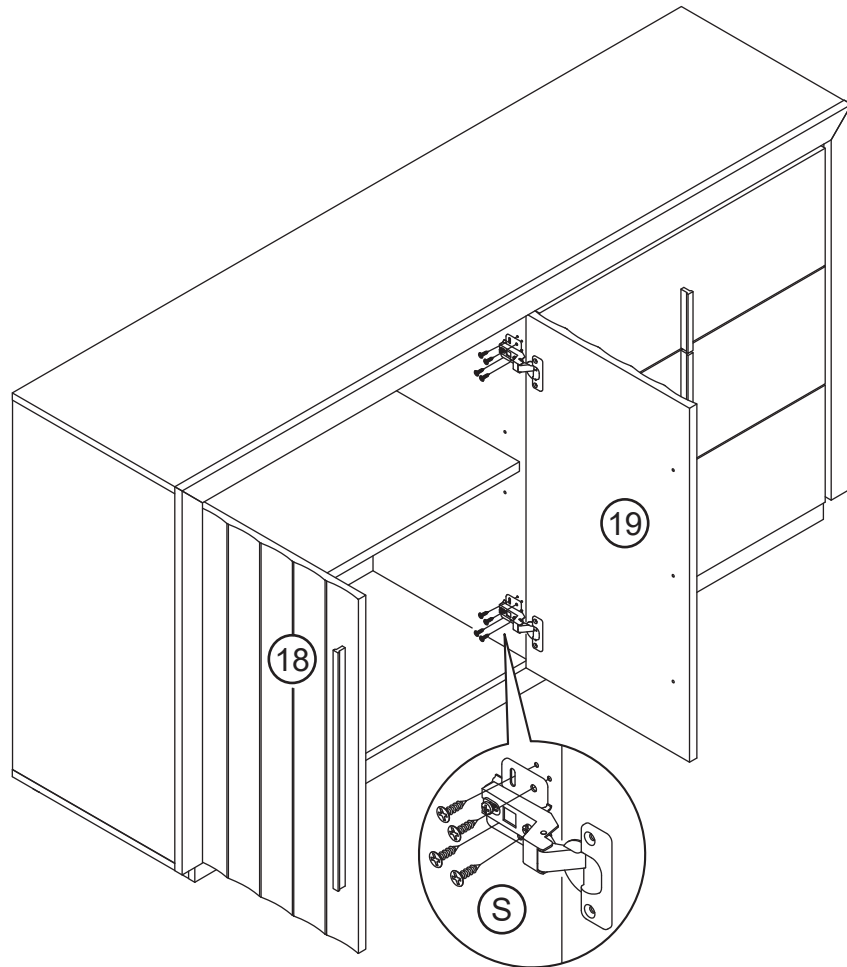


(J) 6x

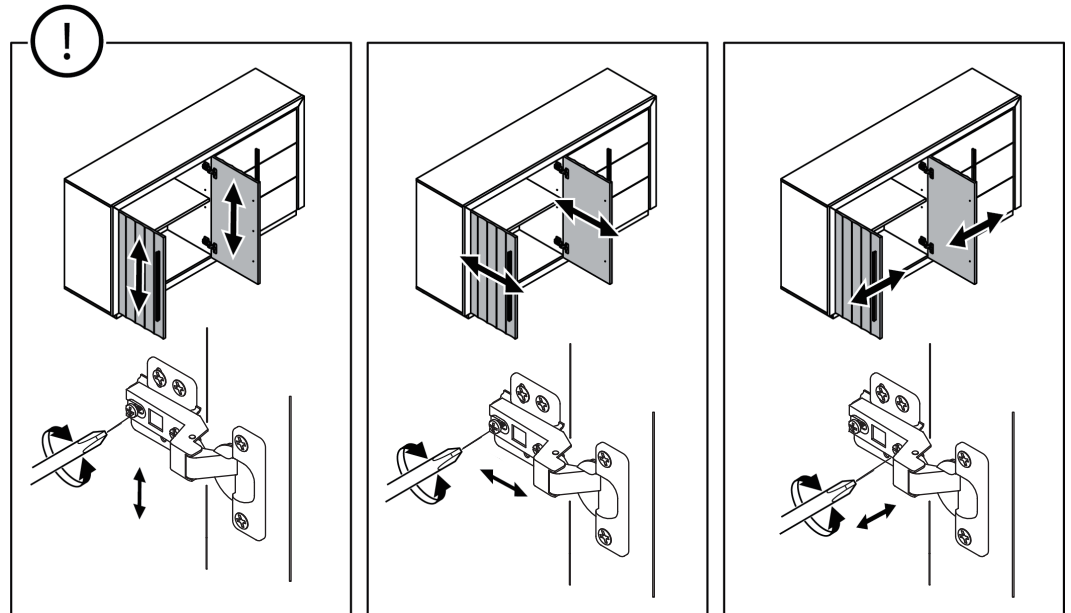


33

Attach cabinet doors to the sideboard.



When the clearance of the door is uneven, Adjust the cabinet door according to the figure, If you still have trouble while adjusting the door, please contact us.



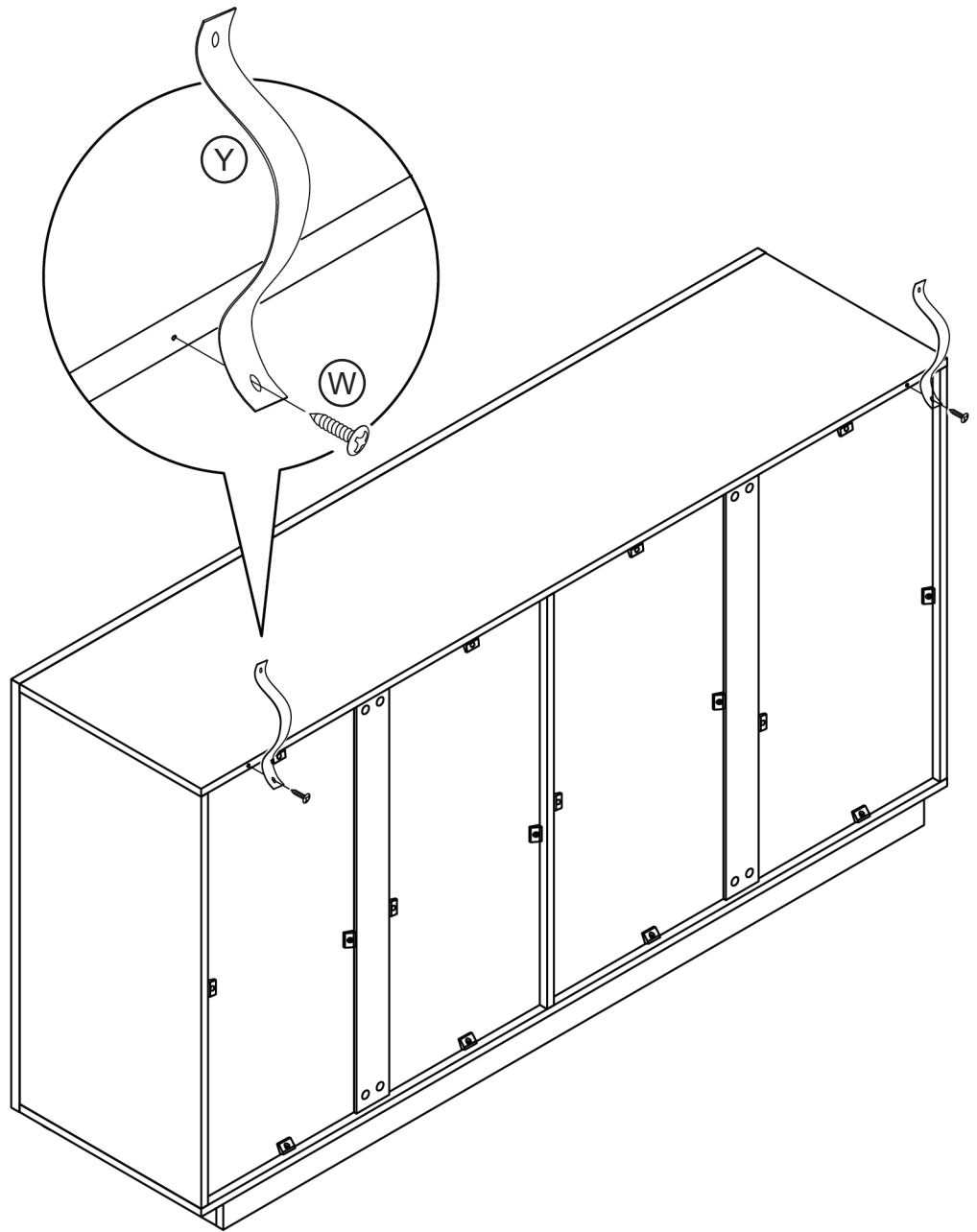
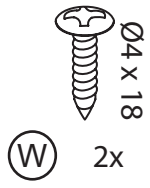
Up and down adjustment by loosening the screws on the mounting plate.

In and out adjustment by loosening the screws on the hinge arm.

Side to side adjustment using the front adjustment screw on the hinge.

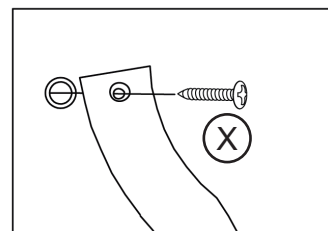
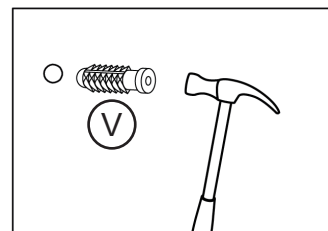
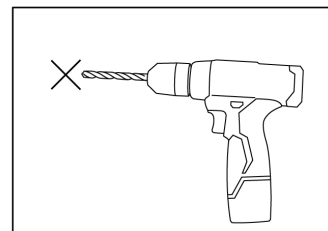
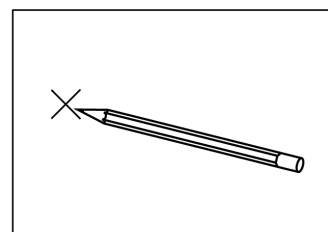
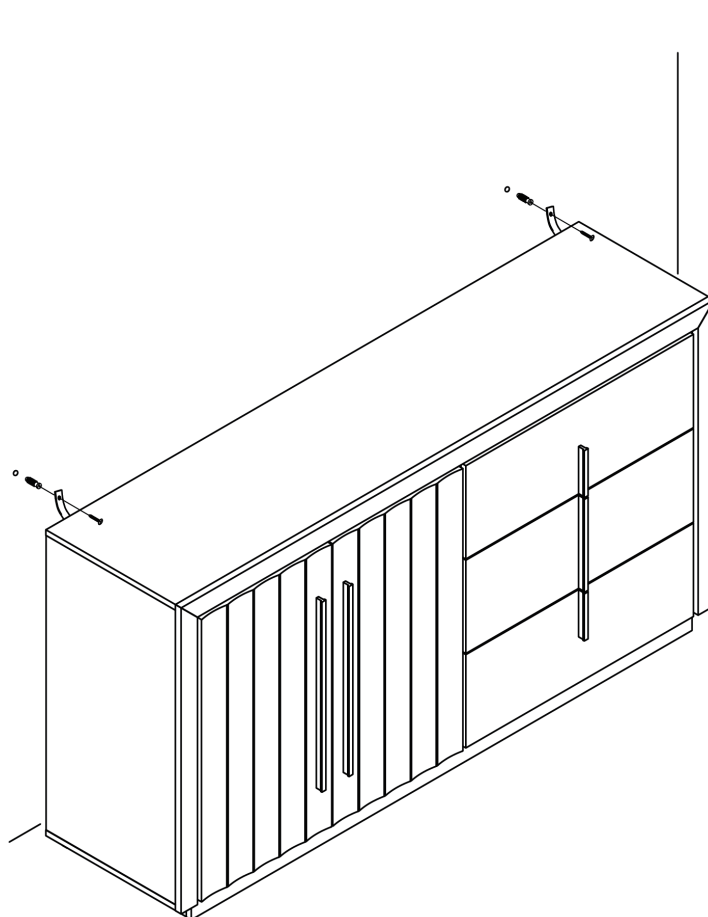
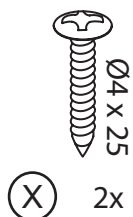
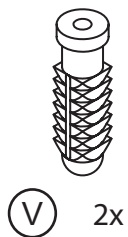
34

Attach anti-tipping straps to the back of the sideboard.



35

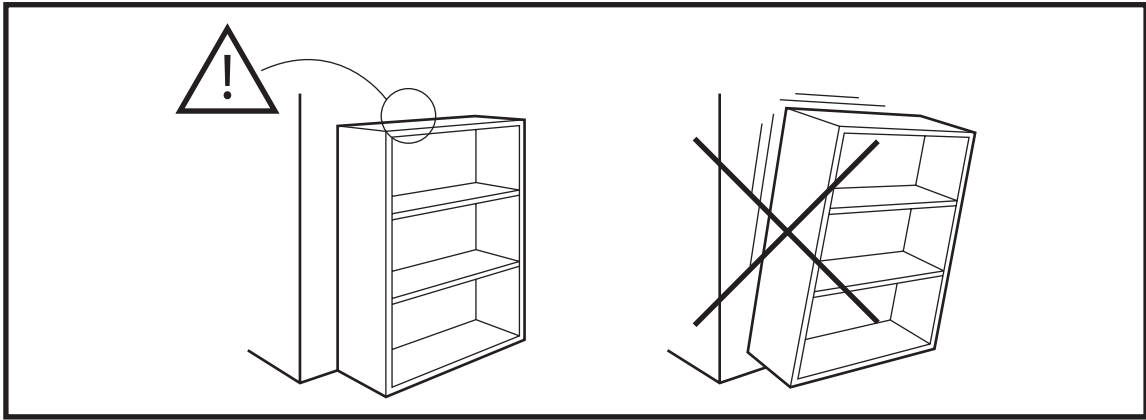
Affix the sideboard to a wall.



Furniture must permanently fixed to the wall stud with included anti-tipping device to prevent the furniture from tipping over.

- Mark the drill position on the wall with a pencil.
- Drill a small hole on the marked position.
- Insert a wall anchor into the drilled hole.
- Fixed the anti-tipping strap to the wall with provided screws.

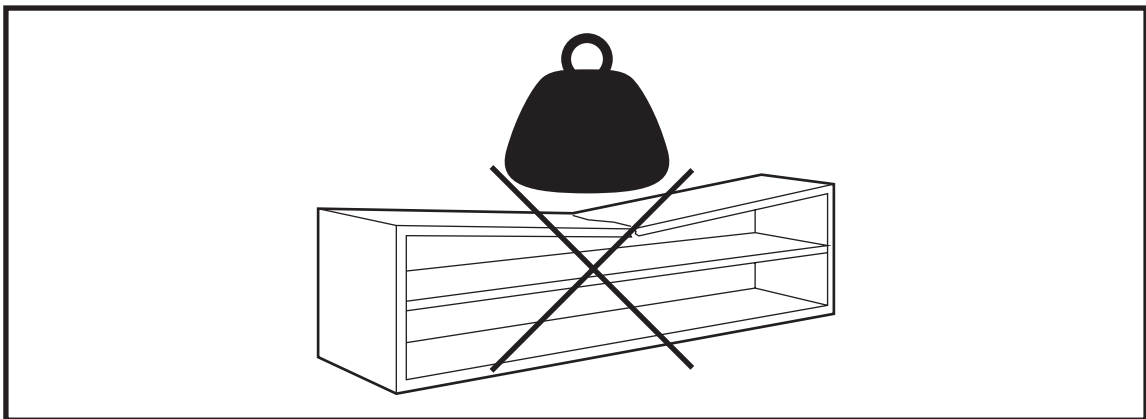
YOU'RE FINISHED!



Warning

Serious or fatal crushing injuries may occur if the furniture tip-over. Furniture must permanently affixed to the wall with included anti-tipping device in order to prevent the furniture from tipping over.

Different wall materials requires different types of wall anchors or screws. Use a suitable wall anchors or screws for your specific wall in order to secure the stability and load bearing capacity of the furniture. If you are uncertain about which type of device to use, please contact us or your local hardware store.



Warning

Only place items on top of the product if they meet the recommended size and weight limits.

Climbing on, stepping on, or placing overweighted objects on the product may cause property damage and/or injuries.

Items placed onto this product must be resting on a support surface without hanging over the edges.

FURNITURE CARE AND MAINTENANCE

Medium - Density Fiberboard

Thank you for your purchase. We want your item to last as long as possible. To ensure the product gives you years of longevity, please follow the recommendations in this care and maintenance guide.



MAINTENANCE

- Tighten all bolts and screws again within the first 2 weeks of assembly.
- Check the tightness of all bolts every 2 months and tighten them if necessary.



CLEANING

- Clean the surface of the MDF (medium - density fiberboard) with a lightly dampened cloth.
- A small amount of mild soap can be used if necessary.
- Dry the surface immediately after cleaning.

⚠ DO NOT use bleach or alcohol to clean the surface.

⚠ DO NOT apply wood treatment on parts made with MDF.

MDF will swell and distort when exposed to water damage. Make sure to dry the furniture immediately after cleaning.

⚠ WARNING

The manufacturer and seller are not responsible for any and all liability relating to personal injury, property damage or losses, whether direct, indirect, or incidental, resulting from the incorrect attachment, improper use, inadequate maintenance, unapproved modification or neglect of this product.

WARRANTY

Our products come with a 1-year warranty from the date of delivery. **Register your product on our website to enjoy our limited lifetime warranty!**

AFTER-SALE SERVICE



Encounter any difficulties or missing parts?



Contact us at our website.



We will send you replacement.



Hassle free!
No need to worry about repackaging and sending your item back.