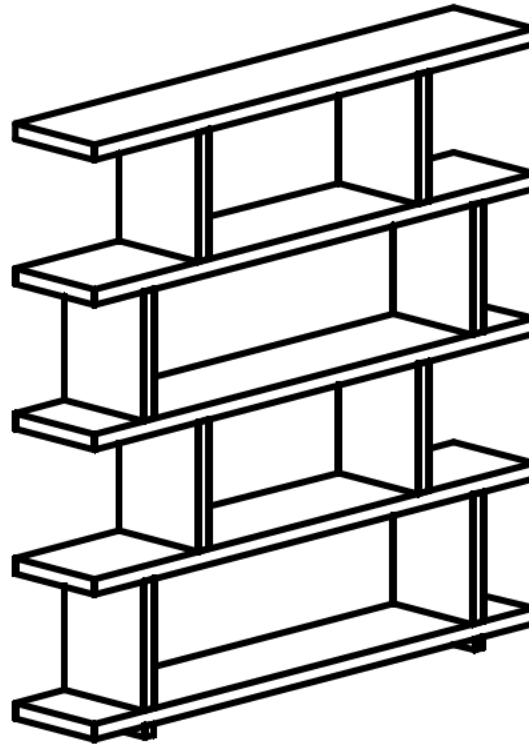




















ASSEMBLY INSTRUCTIONS.

SHELF LARGE WHITE



THANK YOU FOR YOUR PURCHASE!

PARTS AND HARDWARE.

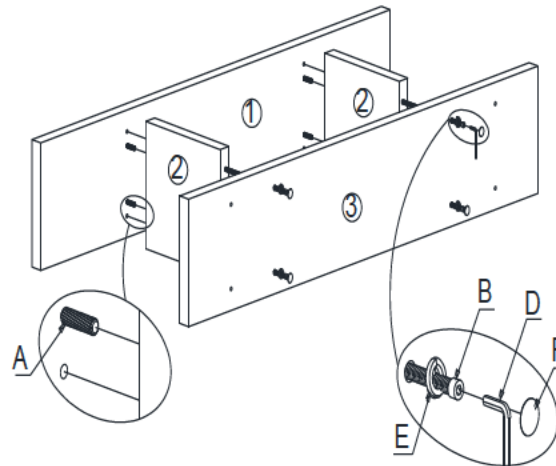
1. TABLE TOP x 1 		4. MIDDLE SHELF PANEL x 1 	
A. WOOD PLUG x 32 	B. BOLT M8*390 x 12 	G. SCREW M4*16 x 1 	H. FLAT WASHER DIA 12MM x 2 
2. MIDDLE SIDE PANEL x 8 		5. BOTTOM PANEL x 1 	
C. BOLT M8*420 x 4 	D. ALLEN KEY M6 x 1 	I. ANTI PRERVENTION DEVICE x 1 	J. WALL FIXING DEVICE x 1 
3. SHELF PANEL x 2 		6. LEG x 2 	
E. SPRING WASHER x 16 	F. STICKER x 12 	K. SCREW M4*25 x 1 	SCREW DRIVER (NOT INCLUDED) 

NOTES.

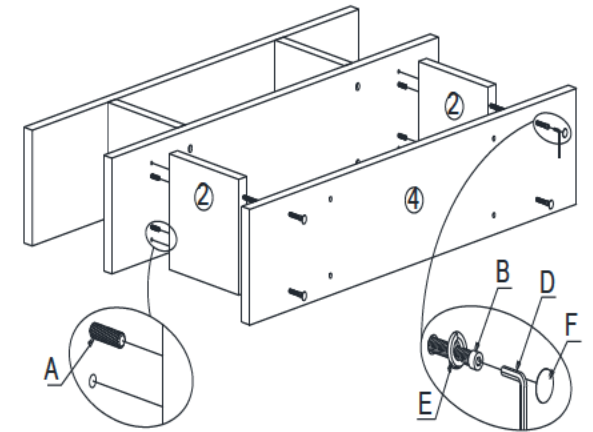
Thank you for purchasing this quality product! Be sure to check all packing material carefully for small part that may have come loose inside the carton during shipping.

CAUTION: The item is heavy, assembly should be performed by two people.

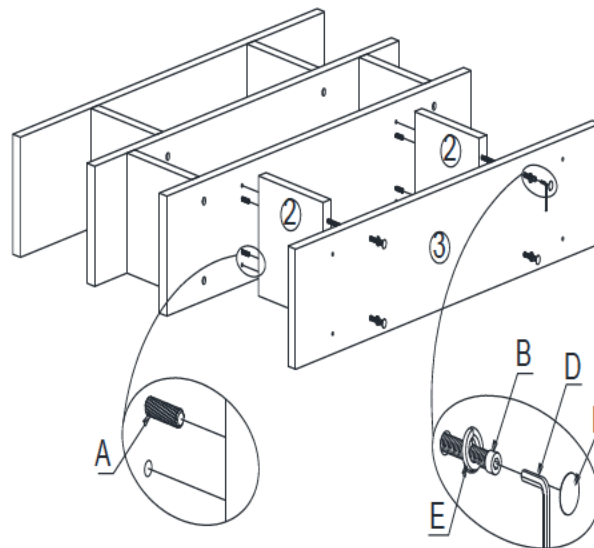
STEP 1.



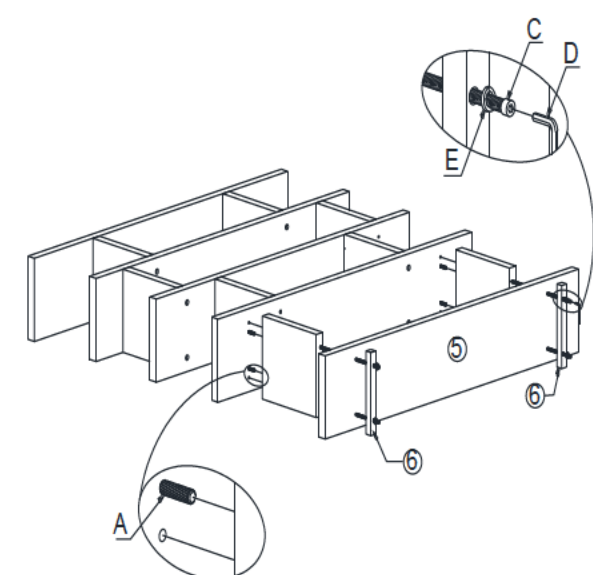
STEP 2.



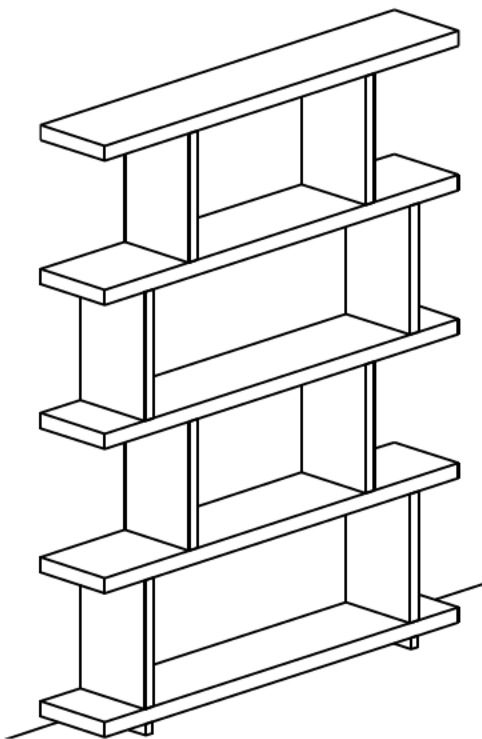
STEP 3.



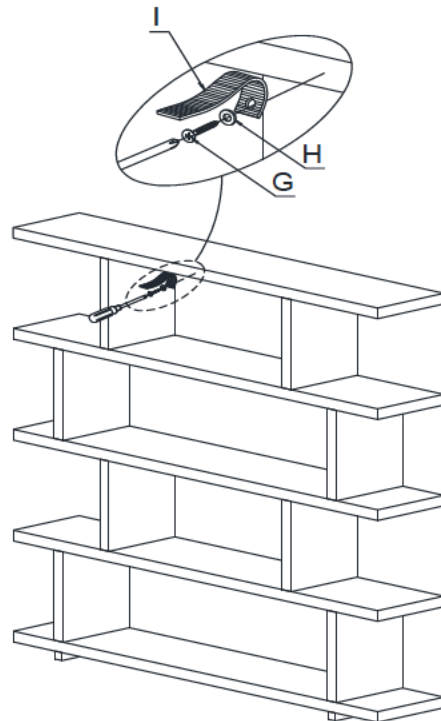
STEP 4.



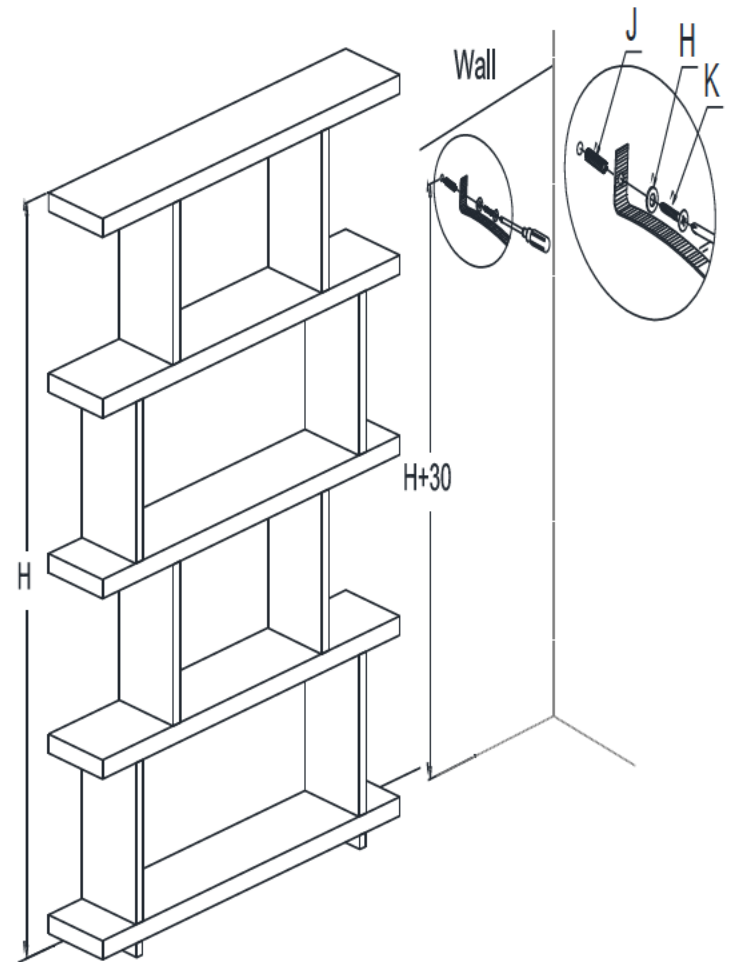
STEP 5.



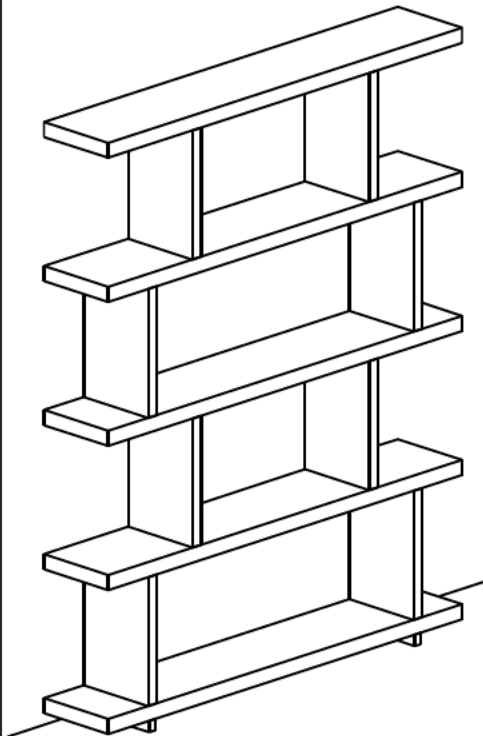
STEP 6.



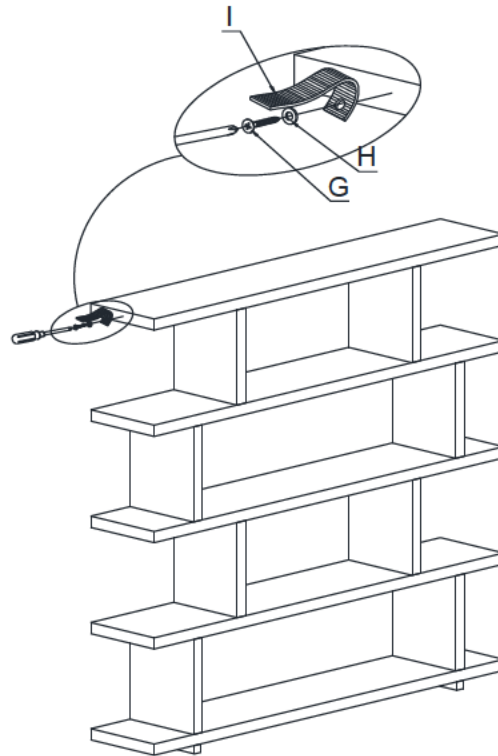
STEP 7.



STEP 8.



STEP 9.



STEP 10.

