

ASSEMBLY INSTRUCTIONS

ASSEMBLY TIPS:

1. Remove hardware from box and sort by size.
2. Please check to see that all hardware and parts are present prior to start of assembly.
3. Please follow attached instructions in the same sequence as numbered to assure fast & easy assembly.



WARNING!

1. Don't attempt to repair or modify parts that are broken or defective. Please contact the store immediately.
2. This product is for home use only and not intended for commercial establishments.

ASSEMBLY TIME 50 MINUTES

PARTS IDENTIFICATION

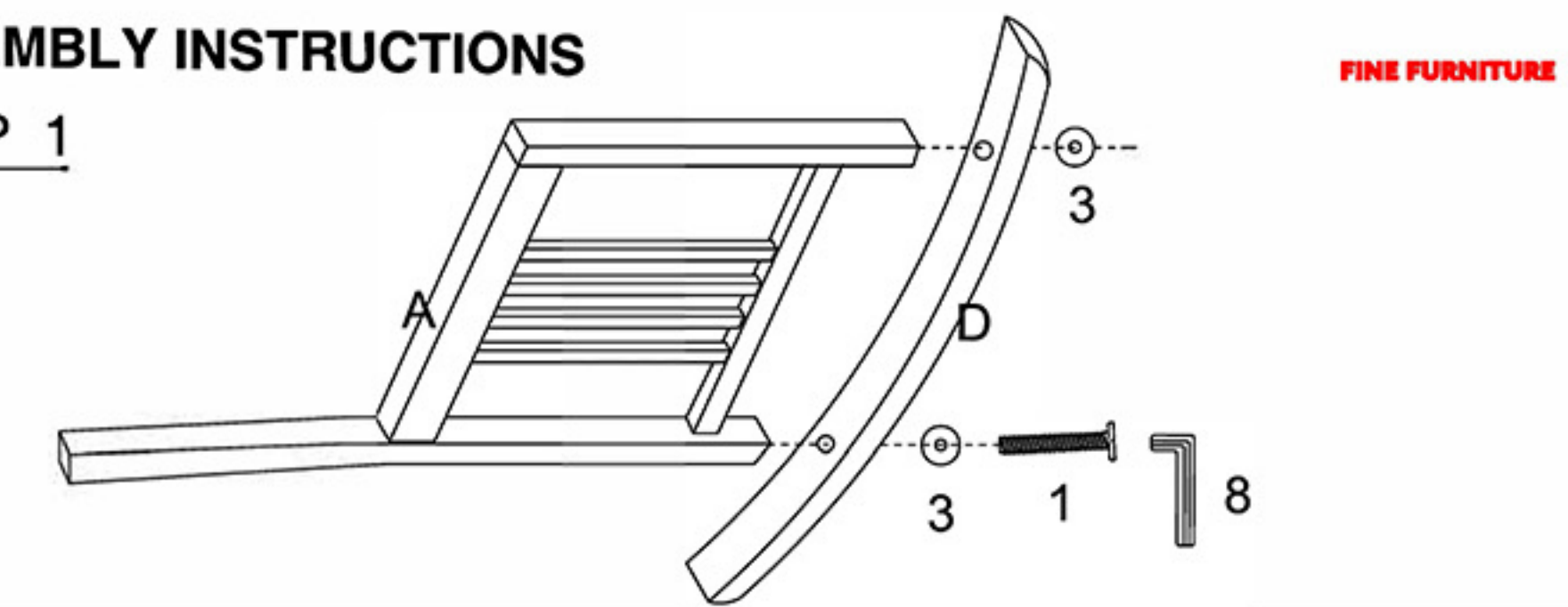
| | | | | | |
|---------------------|--|------|--------------------------|--|------|
| AL LEFT SIDE PANEL | | 1PC | H SEAT CUSHION | | 1PC |
| AR RIGHT SIDE PANEL | | 1PC | I EAR | | 2PCS |
| B BACK CUSHION | | 1PC | J FRONT STRETCHER TOP | | 1PC |
| CL LEFT ARM | | 1PC | K FRONT STRETCHER BOTTOM | | 1PC |
| CR RIGHT ARM | | 1PC | L REAR STRETCHER TOP | | 1PC |
| D ROCKER | | 2PCS | M REAR STRETCHER BOTTOM | | 1PC |

HARDWARE IDENTIFICATION

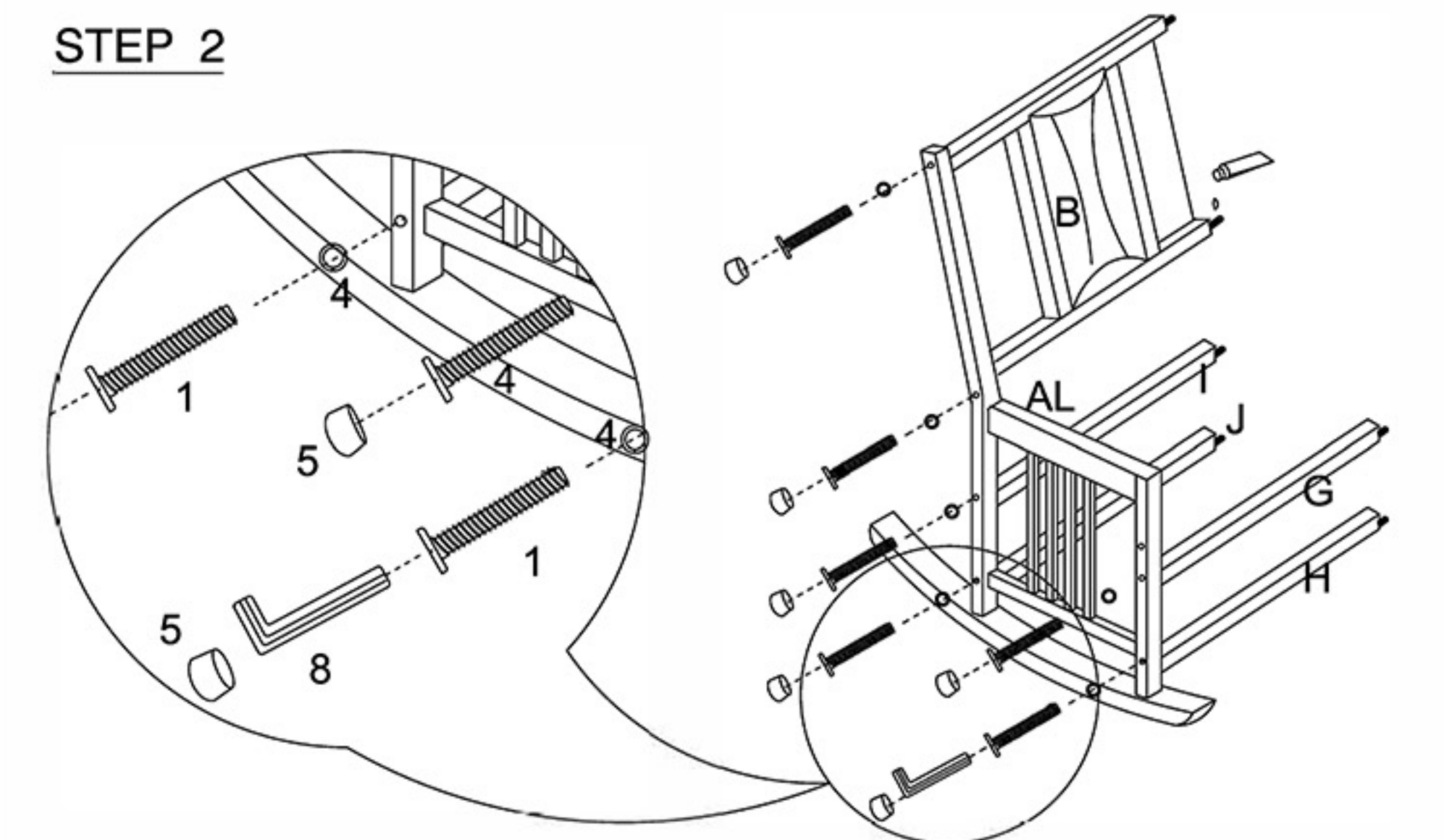
| | | | | | |
|-----------------------------|--|-------|--------------------------|--|-------|
| 1 BOLT (1/4" x 1-3/4") | | 22PCS | 5 WOODEN CAP (Ø13 x 5mm) | | 14PCS |
| 2 BOLT (1/4" x 1") | | 2PCS | 6 SCREW (Ø x 1-1/4") | | 4PCS |
| 3 FLAT WASHER (1/4" x 16mm) | | 4PCS | 7 GLUE (8mm) | | 1PC |
| 4 LOCK WASHER (1/4") | | 20PCS | 8 ALLEN WRENCH (4mm) | | 1PC |

ASSEMBLY INSTRUCTIONS

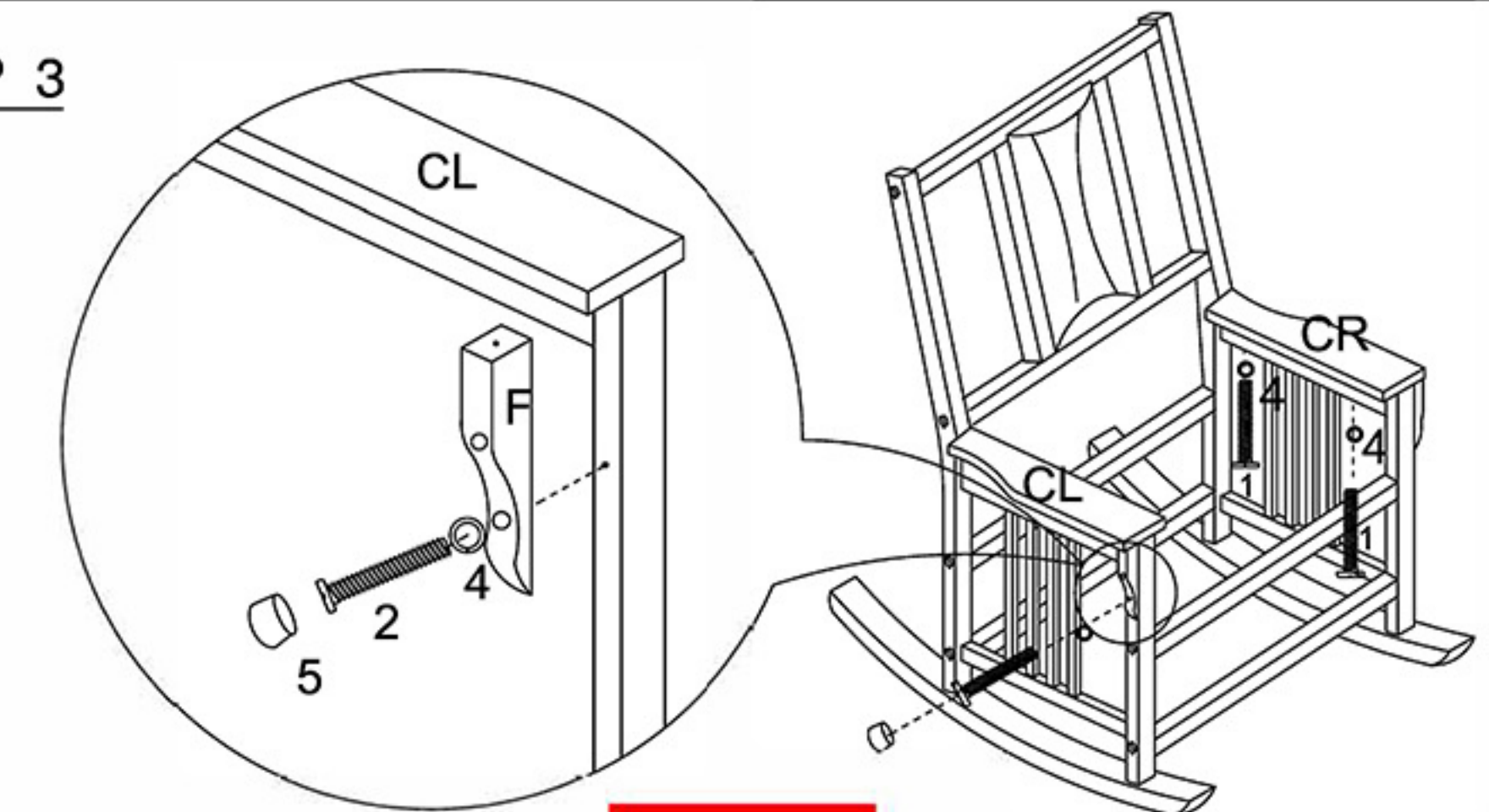
STEP 1



STEP 2

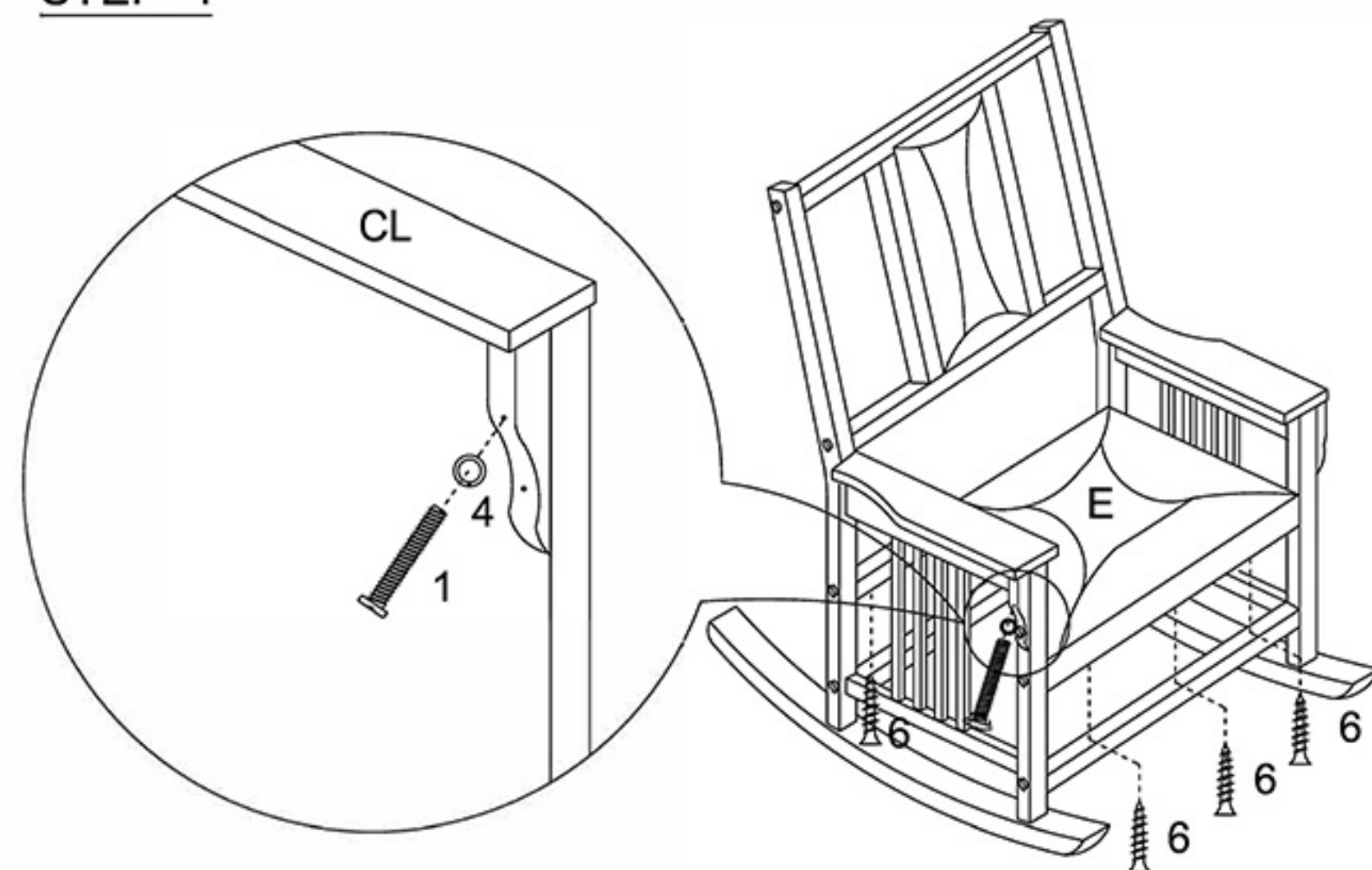


STEP 3

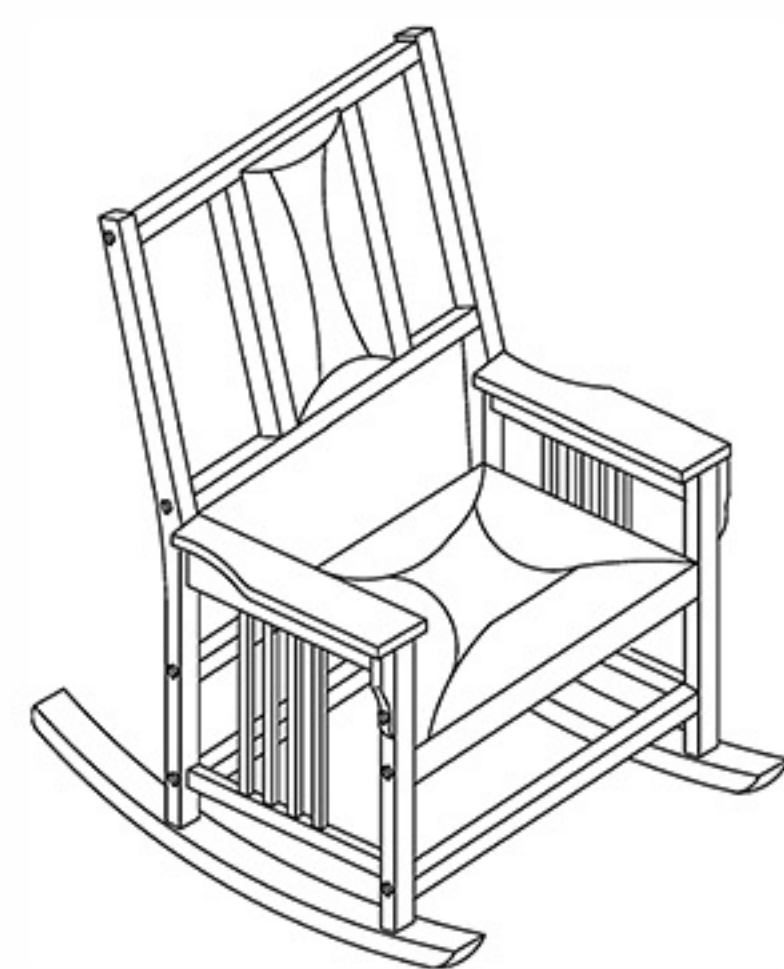


ASSEMBLY INSTRUCTIONS

STEP 4



STEP 5 COMPLETE



ASSEMBLY INSTRUCTIONS

