

Rotating Bookcase

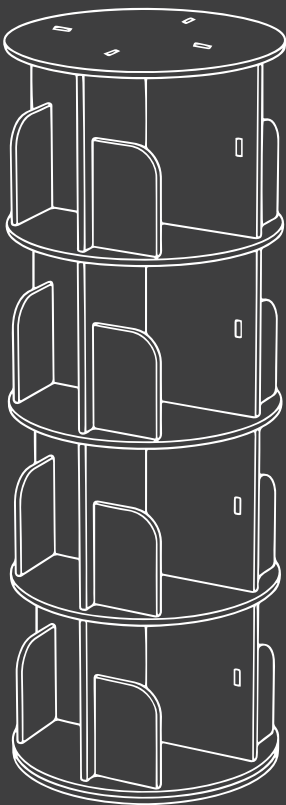
Instruction Manual

Estantería giratoria

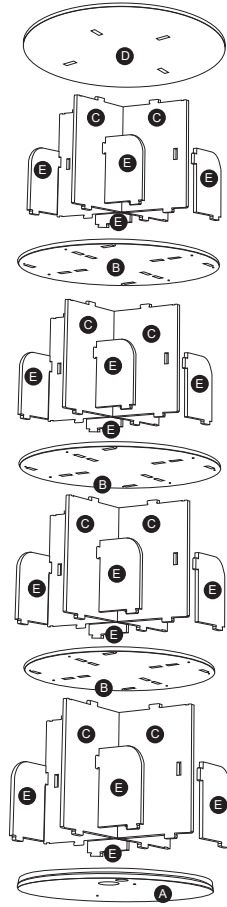
Manual de instrucciones

Bibliothèque tournante

Manuel d'Instruction

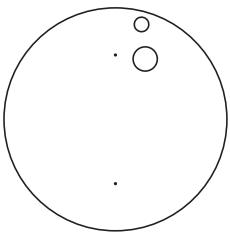


1

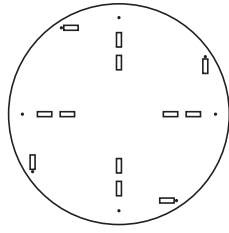


2

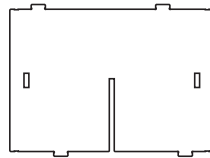
A X1



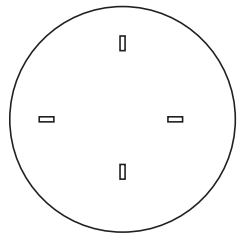
B X3



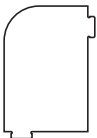
C X8



D X1



E X16

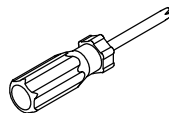


F X28



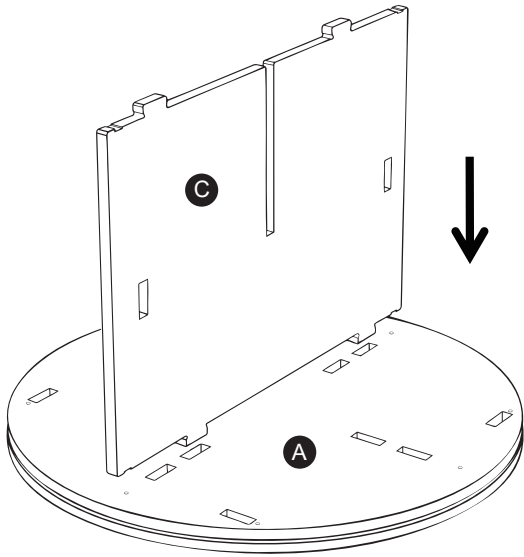
M4*30mm

G X1

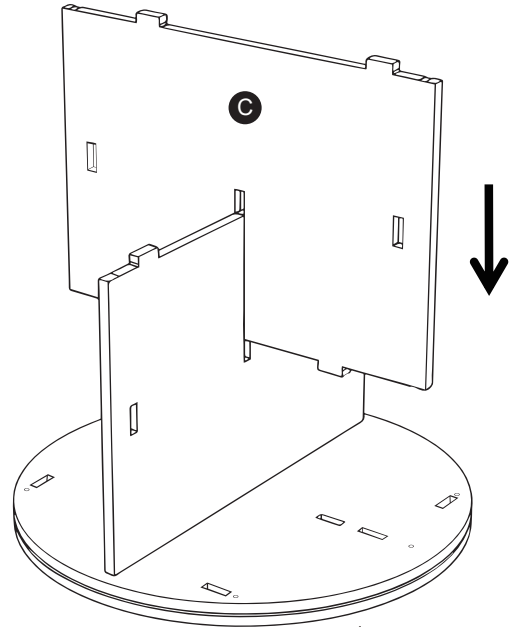


3

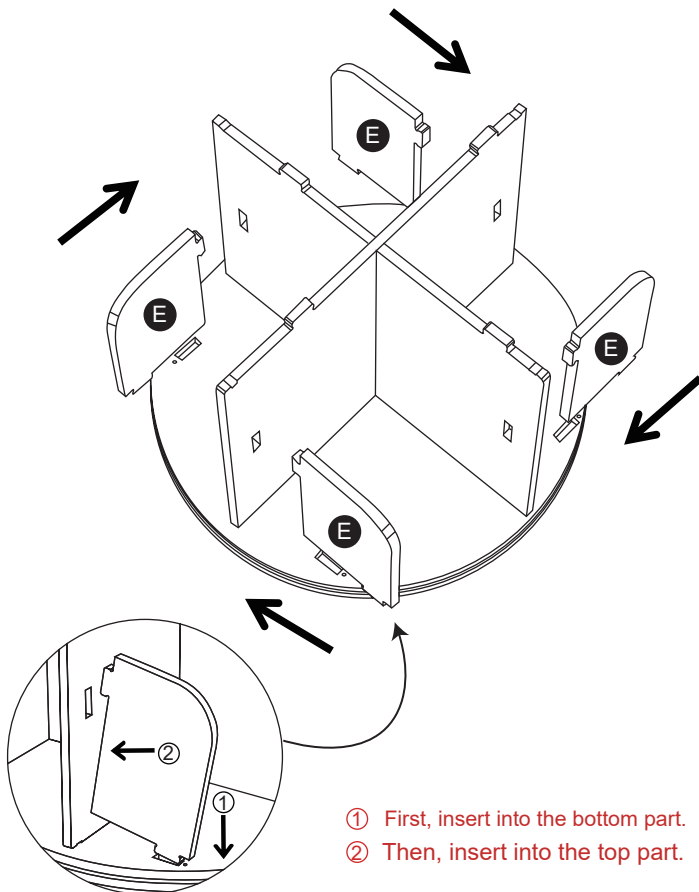
Step 1



Step 2

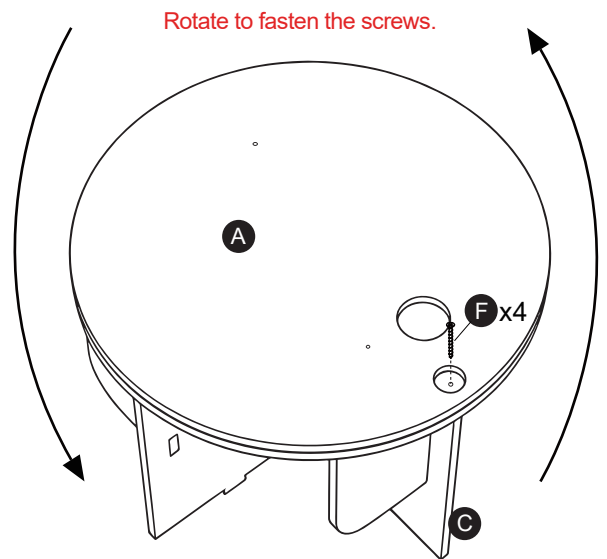
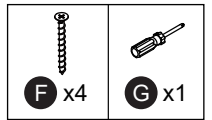


Step 3



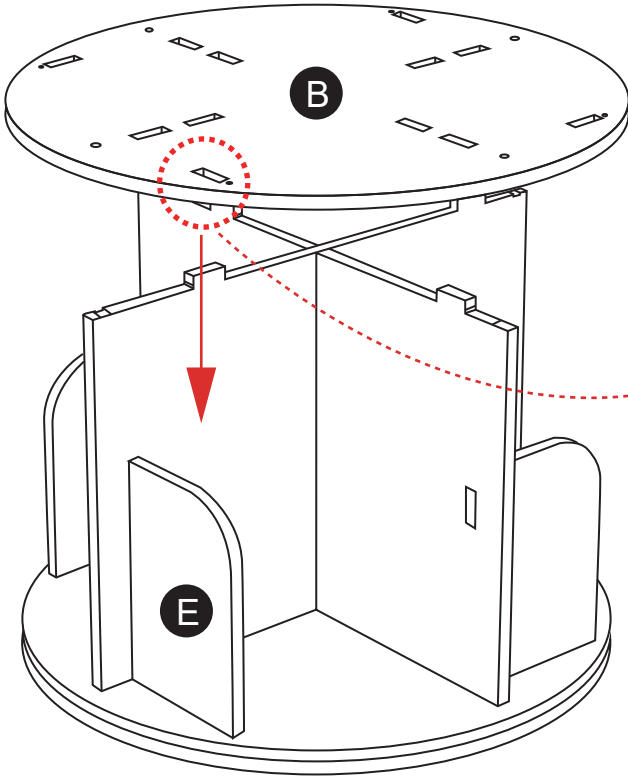
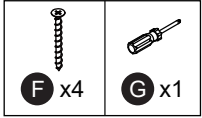
- ① First, insert into the bottom part.
- ② Then, insert into the top part.

Step 4

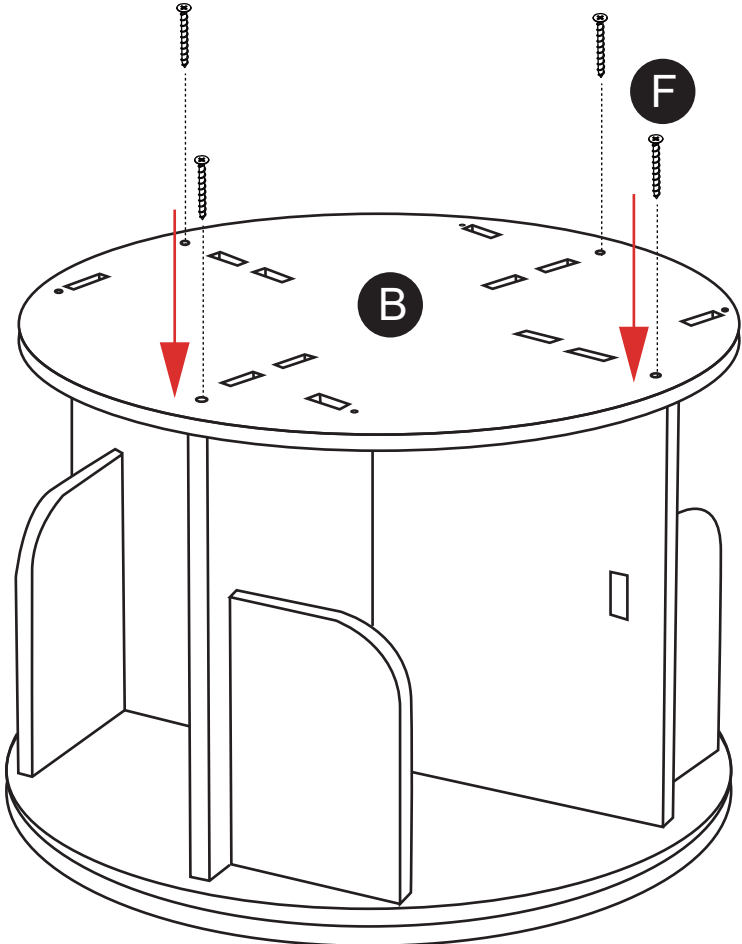
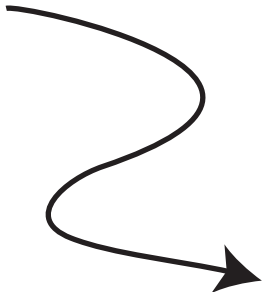


Rotate to fasten the screws.

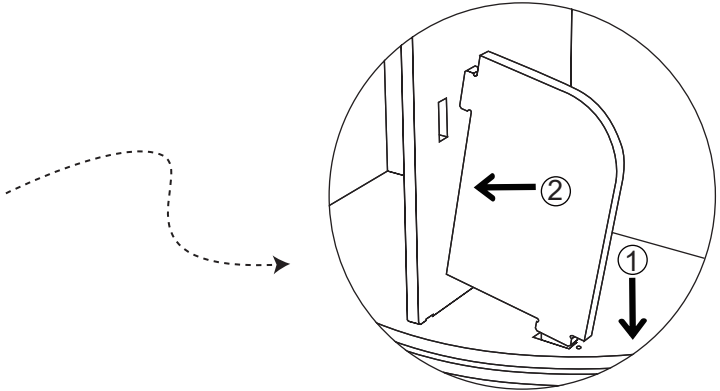
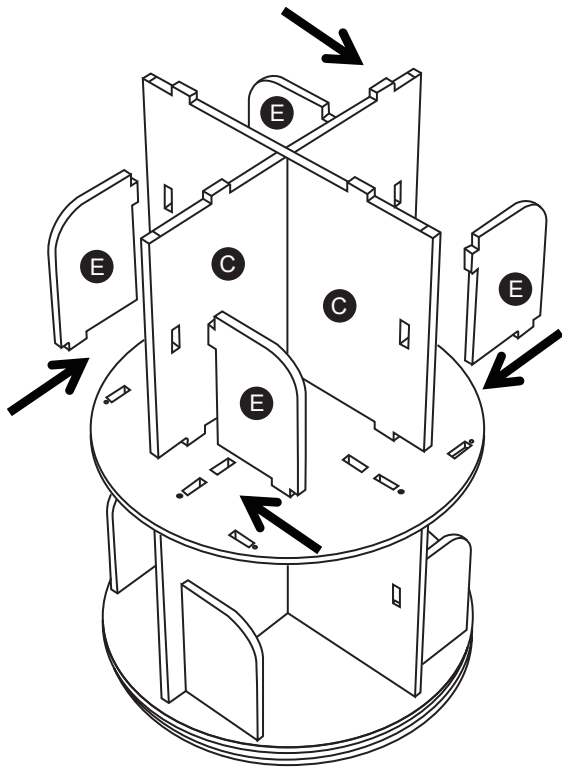
Step 5



Align the holes with Plate E.

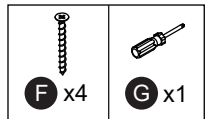
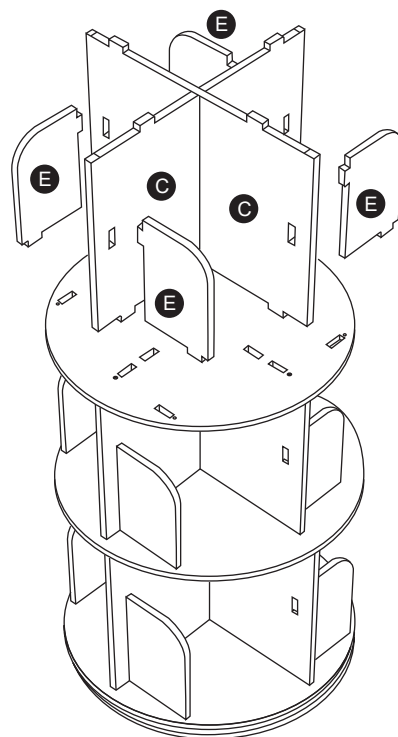
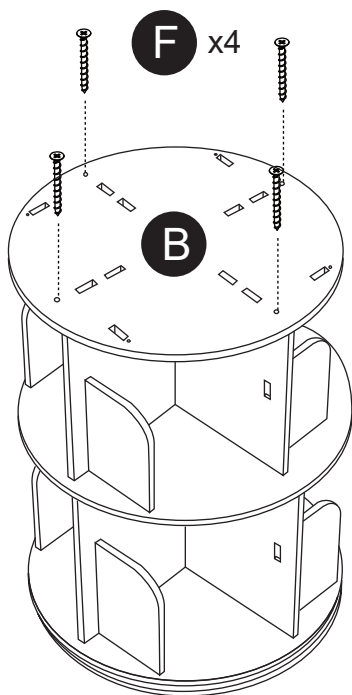


Step 6

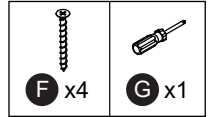
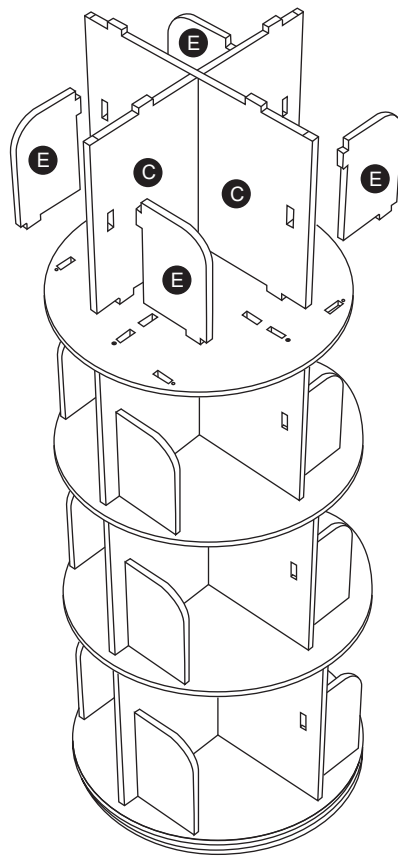
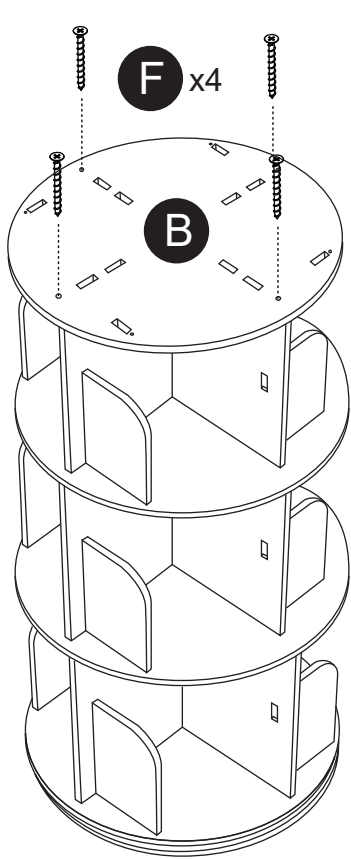


- ① First, insert into the bottom part.
- ② Then, insert into the top part.

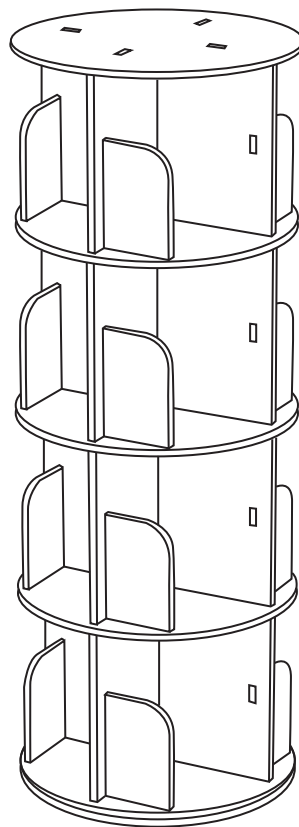
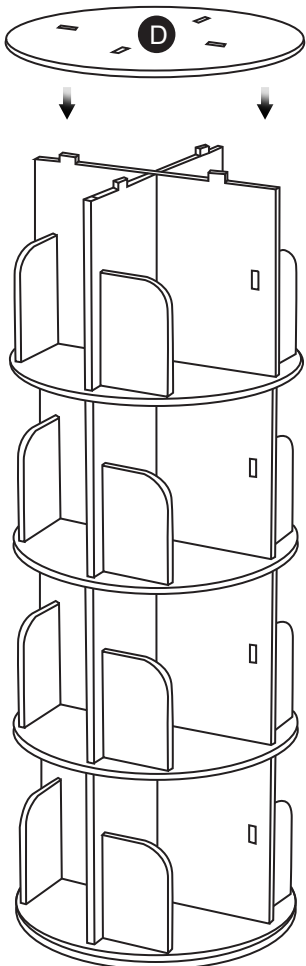
Step 7



Step 8



Step 9



Step 10

