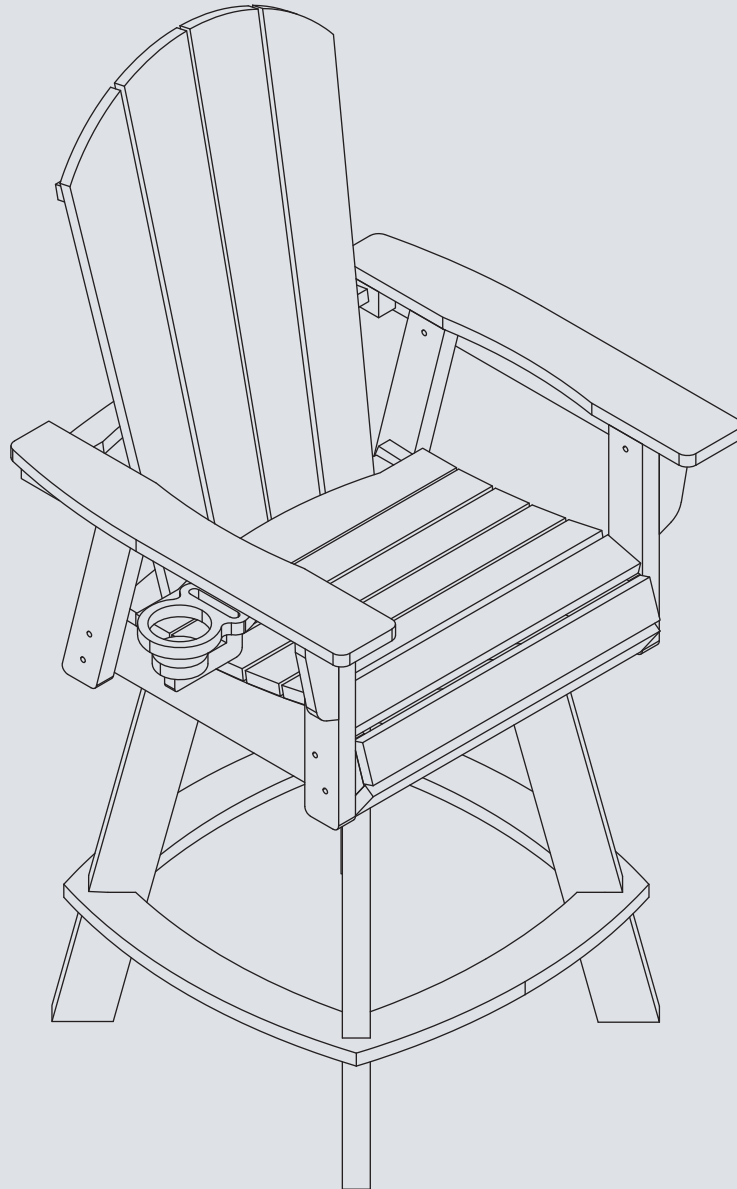


# INSTRUCTION MANUAL



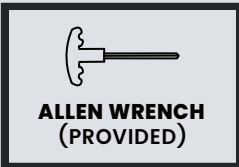
Adirondack Swivel Bar Chair with Cup Holder

## ! NOTICE

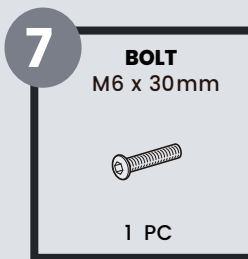
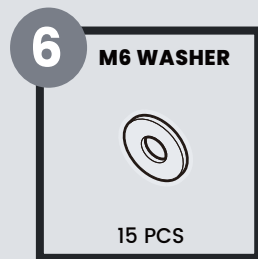
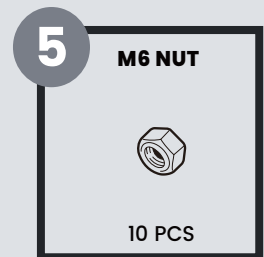
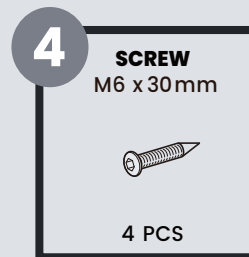
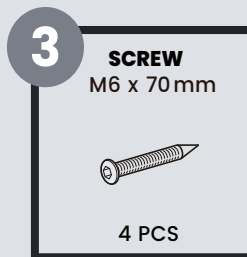
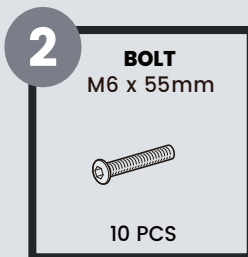
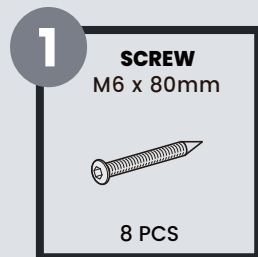
**Do not overtighten screws. (Insert all screws before tightening screws.)**

- Please do not exceed the weight limitations of this item.
- Do not stand on or use any part of this item as a step ladder.
- Firmly secure all bolts, screws, and nuts before use.
- Reconfirm that all bolts, screws, and nuts are secure every 90 days.
- Do not use or store this item in the proximity of open flame or flammable/combustible chemicals.
- Be aware that some parts are heavy and have sharp edges.
- When using an electric drill, please adjust its speed slowly to avoid screw slippage.

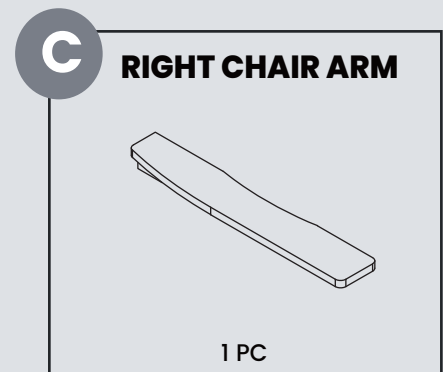
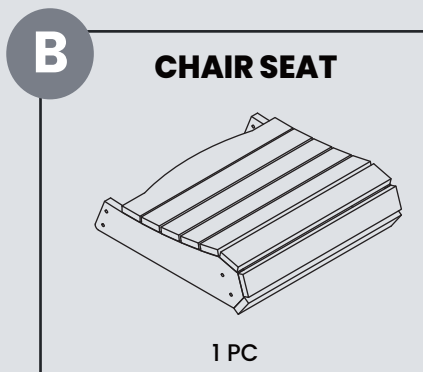
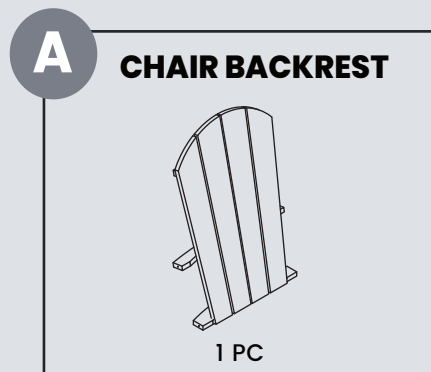
## TOOLS REQUIRED



## HARDWARE



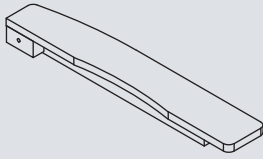
## PARTS



**PARTS**

**D**

**LEFT CHAIR ARM**



1 PC

**E**

**RIGHT CHAIR LEG**



1 PC

**F**

**LEFT CHAIR LEG**



1 PC

**G**

**RIGHT REAR LEG**



1 PC

**H**

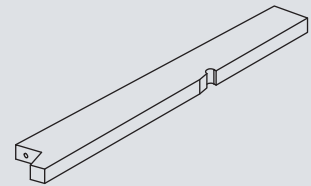
**LEFT REAR LEG**



1 PC

**I**

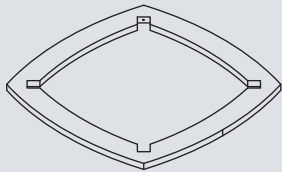
**BASE LEG**



4 PCS

**J**

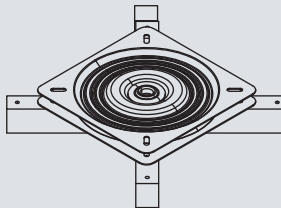
**FOOTREST**



1 PC

**K**

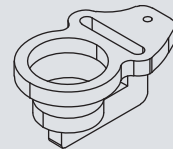
**SWIVEL PLATE**



1 PC

**L**

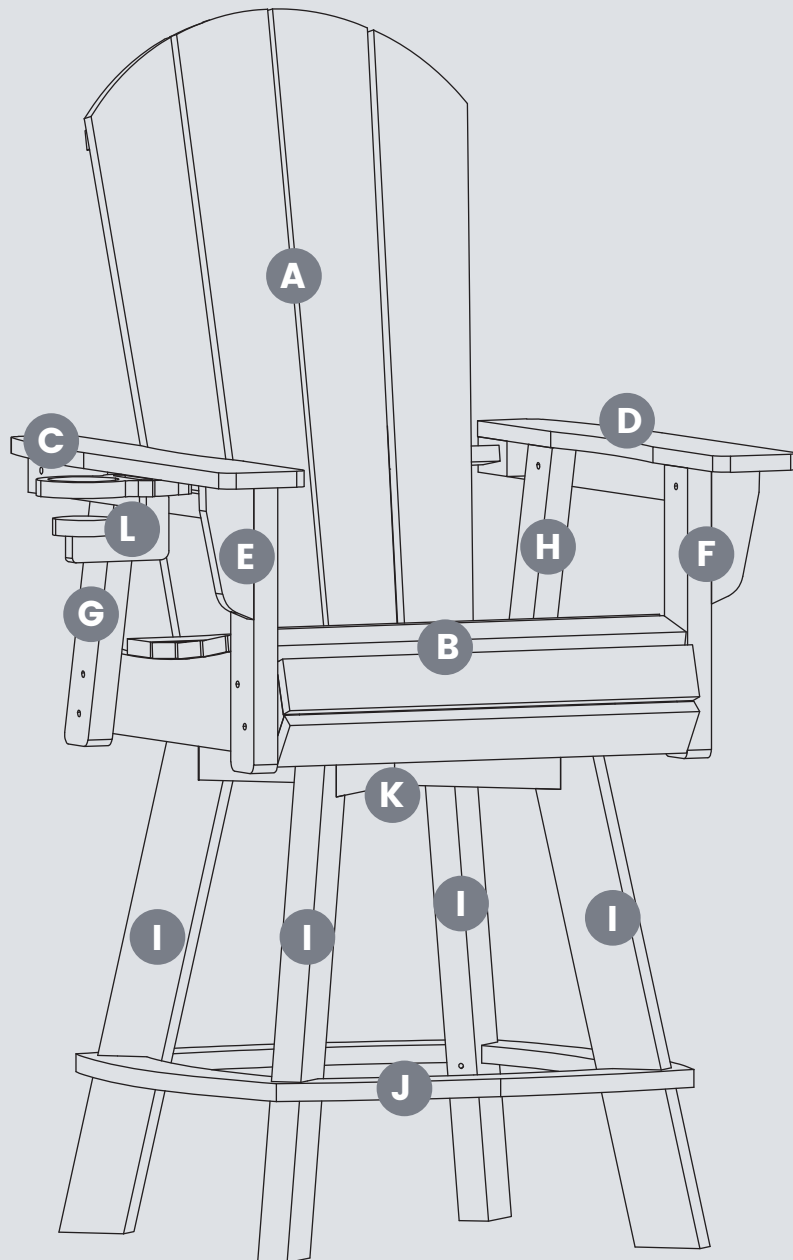
**CUP HOLDER**



1 PC

## PRODUCT ASSEMBLY – OVERALL VIEW

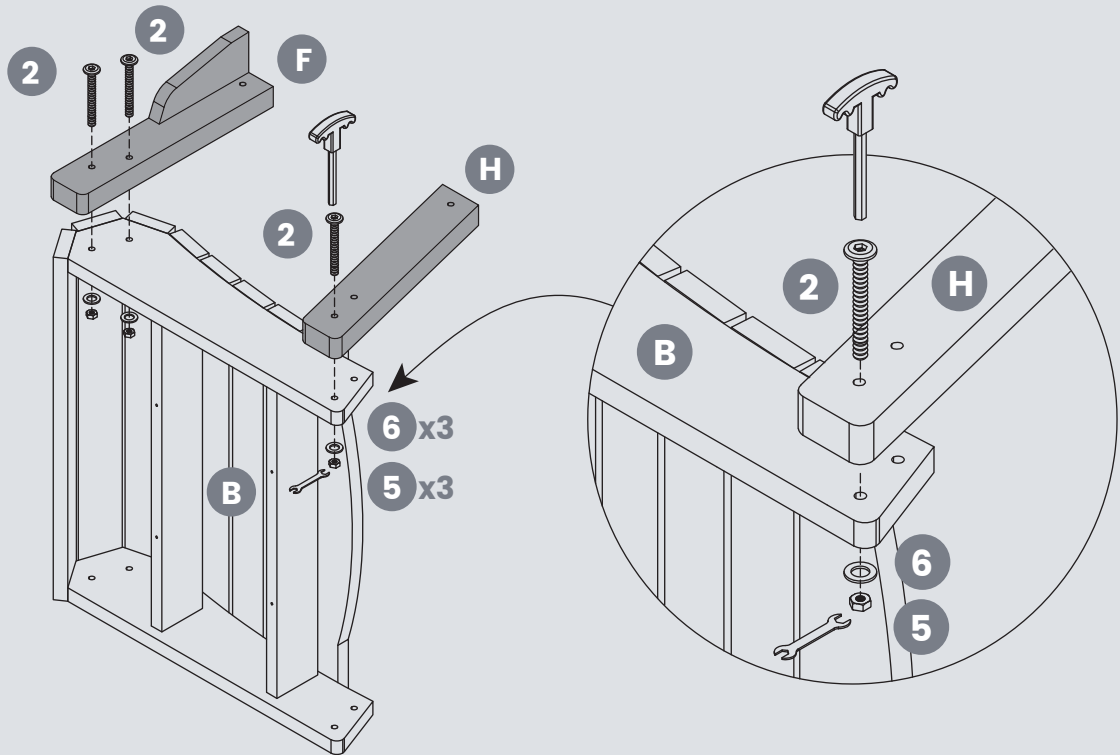
Look at the overall view of this chair and learn the exact position of each part to be assembled.



## PRODUCT ASSEMBLY

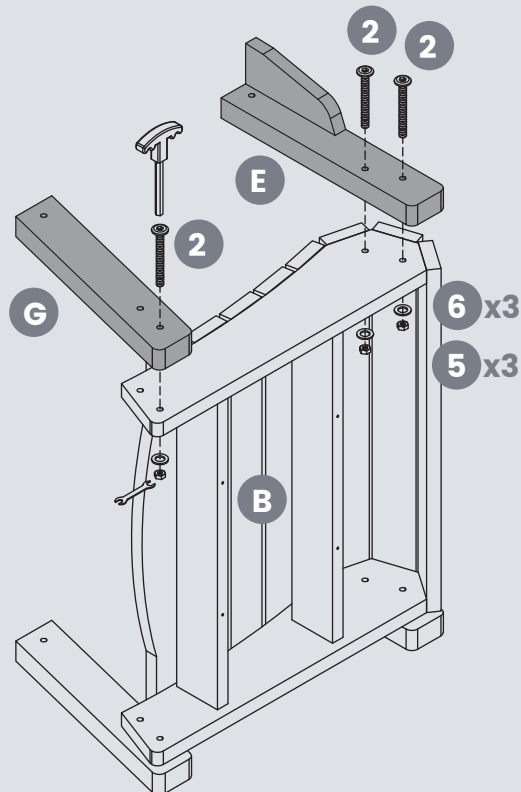
1

Attach **Part F Left Chair Leg** and **Part H Left Rear Leg** to **Part B Chair Seat** with 3 pcs of **Hardware #2 Bolt**, 3 pcs of **Hardware #6 Washer** and 3 pcs of **Hardware #5 Nut**.



2

Attach **Part E Right Chair Leg** and **Part G Right Rear Leg** to **Part B Chair Seat** with 3 pcs of **Hardware #2 Bolt**, 3 pcs of **Hardware #6 Washer** and 3 pcs of **Hardware #5 Nut**.

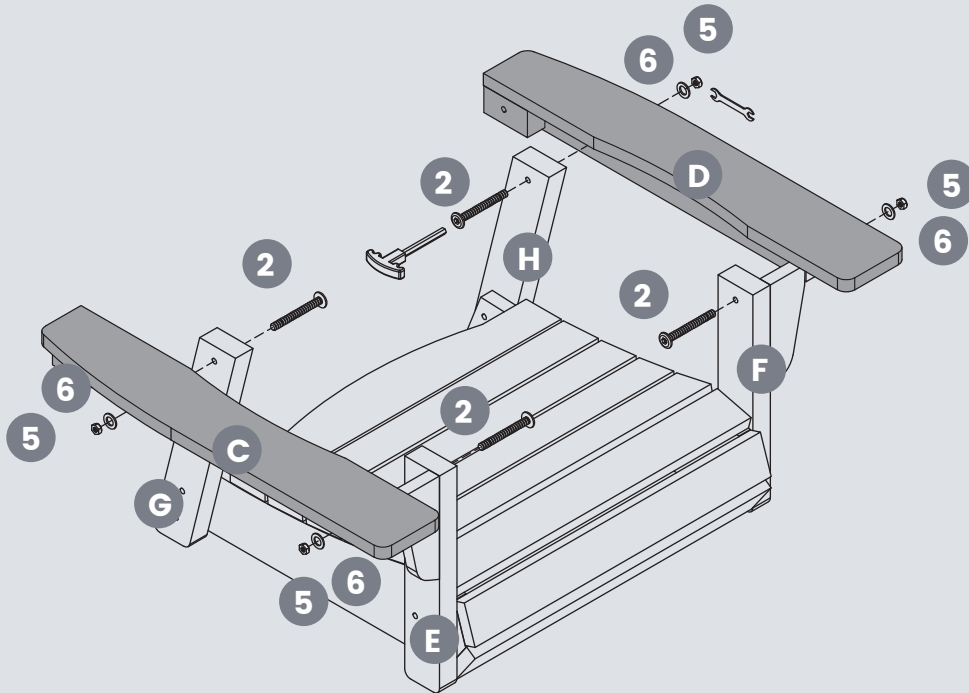


## PRODUCT ASSEMBLY

**3**

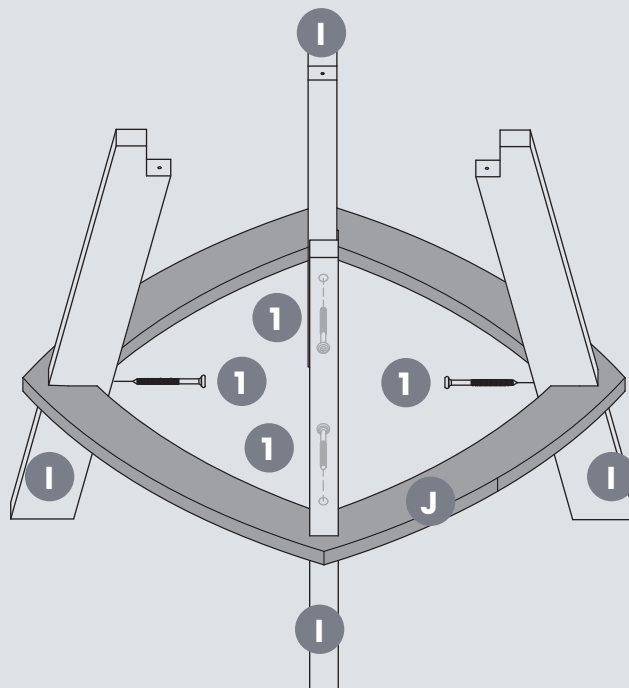
Attach **Part C Right Chair Arm** to **Part E Right Chair Leg** and **Part G Right Rear Leg** with 2 pcs of **Hardware #2 Bolt**, 2 pcs of **Hardware #6 Washer** and 2 pcs of **Hardware #5 Nut**.

Do the same to **Attach Part D Left Chair Arm**.



**4**

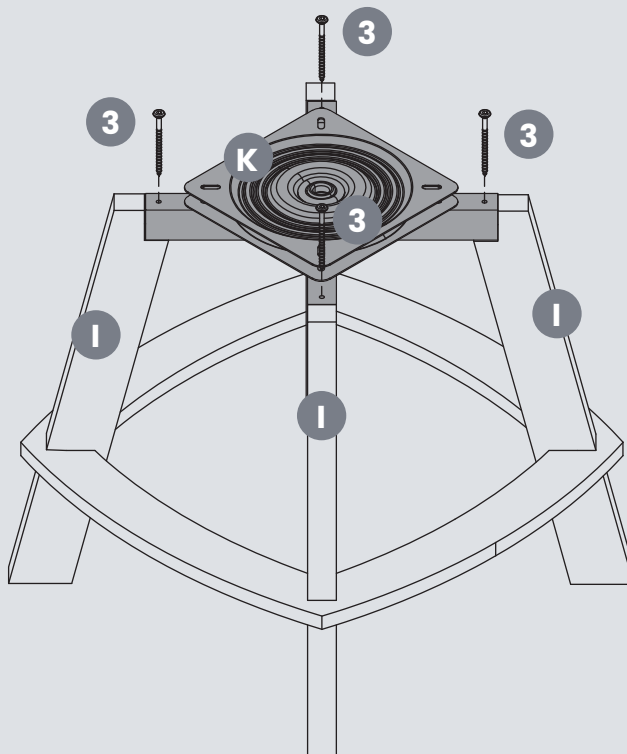
Attach **Part I Base Leg** to **Part J Footrest** with 4 pcs of **Hardware #1 Screw**.



## PRODUCT ASSEMBLY

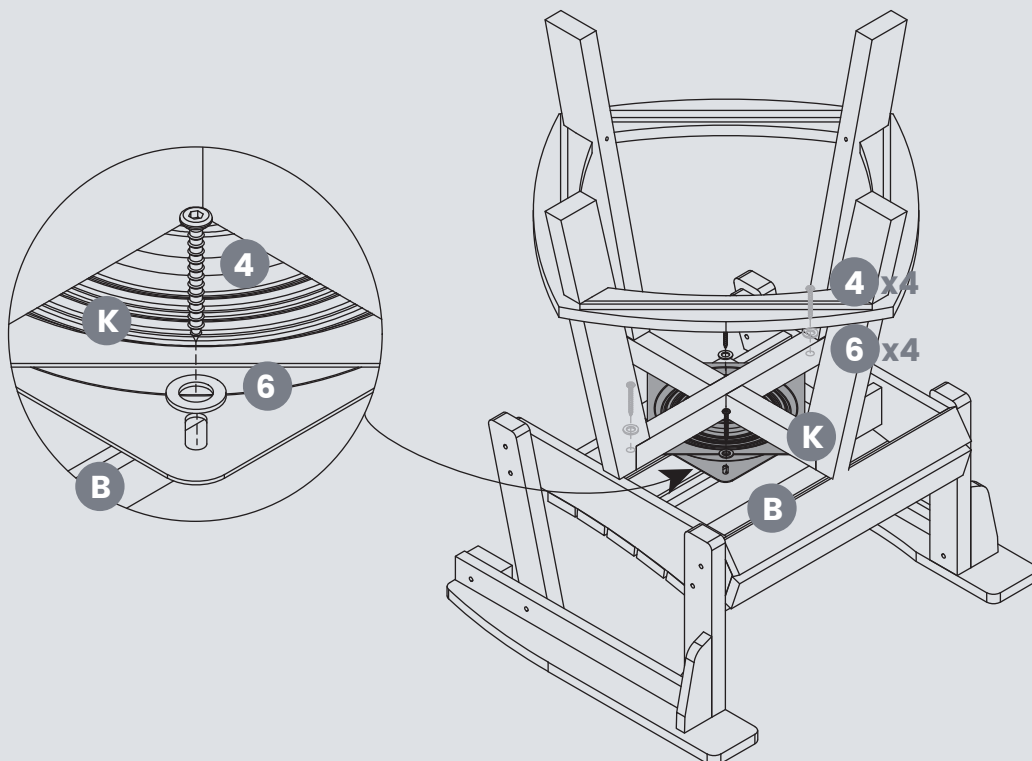
5

Attach **Part K Swivel Plate** to **Part I Base Leg** with 4 pcs of **Hardware #3 Screw**.



6

Attach **Part K Swivel Plate** to **Part B Chair Seat** with 4 pcs of **Hardware #6 Washer** and 4 pcs of **Hardware #4 Screw**.

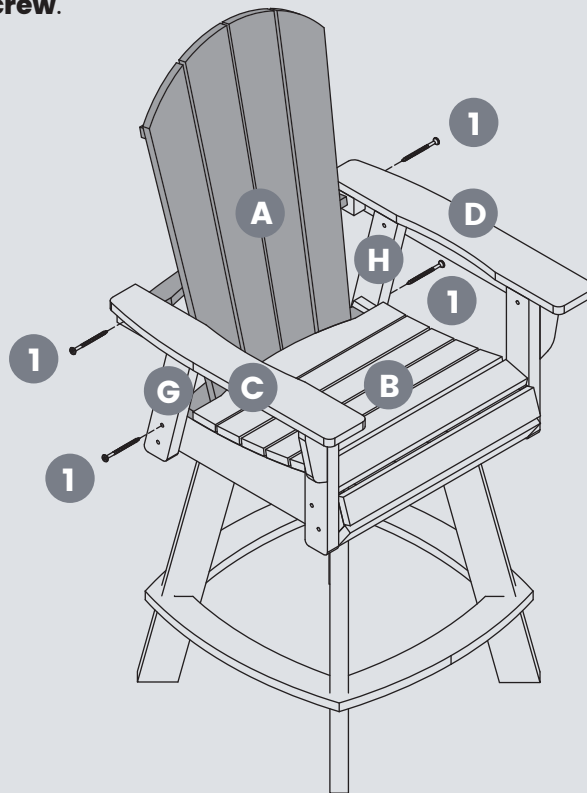


## PRODUCT ASSEMBLY

7

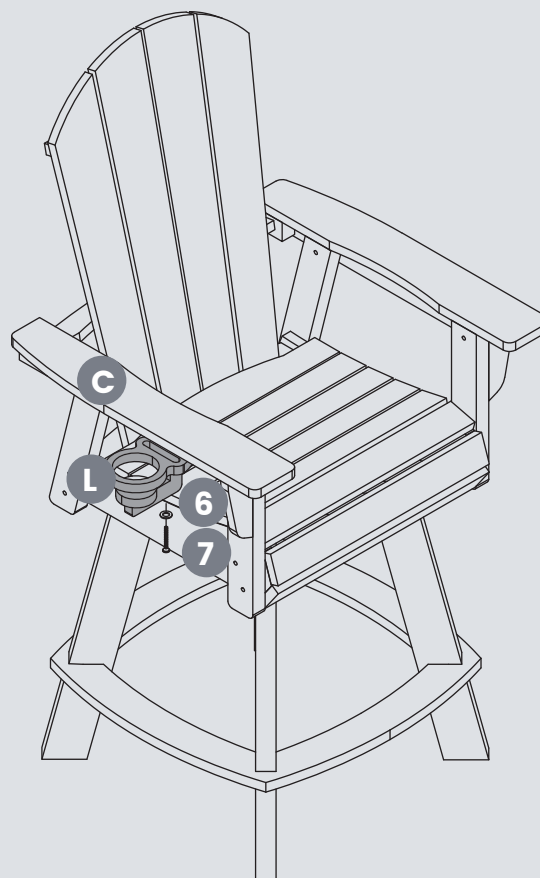
Attach **Part C Right Chair Arm** and **Part D Left Chair Arm** to **Part A Chair Backrest** with 2 pcs of **Hardware #1 Screw**.

Attach **Part G Right Rear Leg** and **Part H Left Rear Leg** to **Part A Chair Backrest** with 2 pcs of **Hardware #1 Screw**.



8

Attach **Part L Cup Holder** to **Part C Right Chair Arm** with 1 pc of **Hardware #6 Washer** and 1 pc of **Hardware #7 Bolt**.



---

## CLEANING TIPS

**REGULAR CLEAN:** Use a mixture of warm water and mild soap. Gently scrub the surface with a soft bristle brush to remove any dirt or stains.

**QUICK CLEAN:** You can simply wipe down the furniture with a damp cloth.

Regular cleaning not only preserves the aesthetic appeal of your furniture, but also helps extend its lifespan.