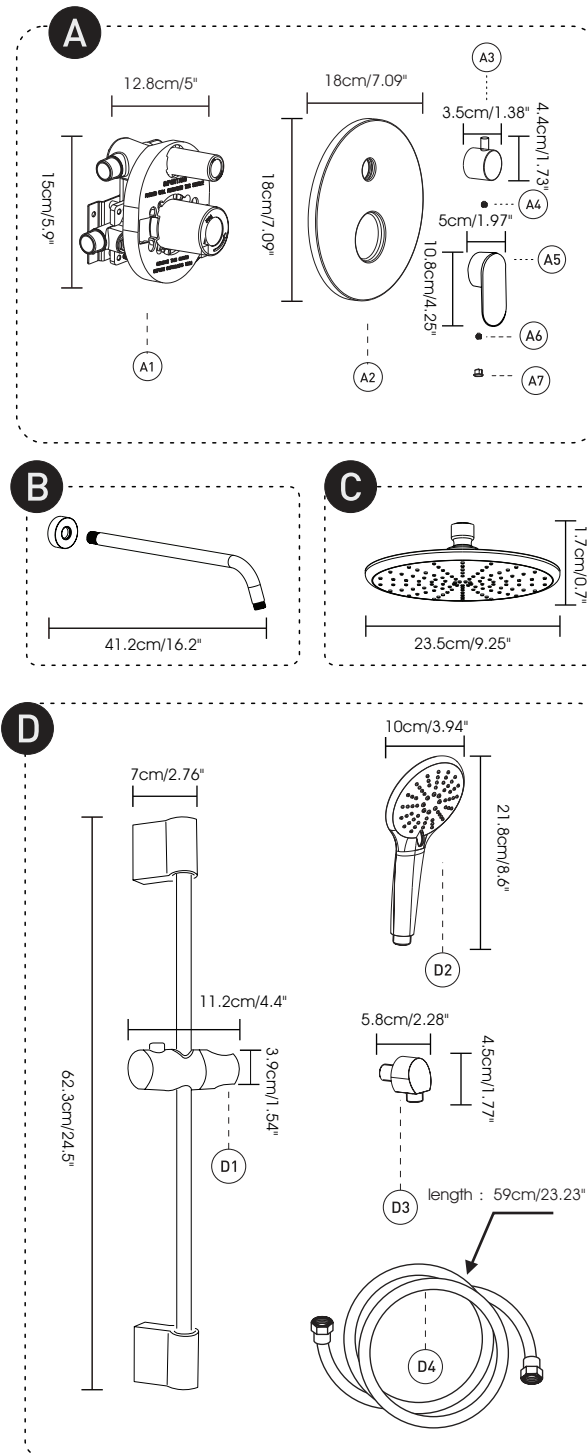
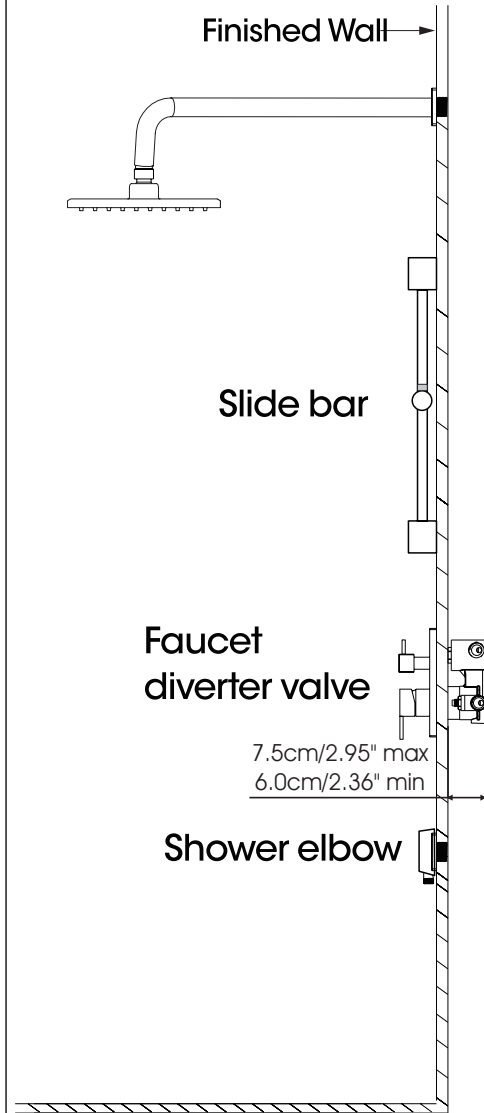


PRODUCT DRAWING



No.	Description				
A	Pressure balanced diverter valve				
A-1	shower valve body				
A-2	Shower Valve Panel with sealjoint				
A-3	Diverter knob kit				
A-4	Allen screw				
A-5	Shower valve handle				
A-6	Allen screw				
A-7	Trim cap				
B	Shower arm				
C	Shower head				
D	Handheld Shower Kit with Flexible Hose				
D-1	Slide bar				
D-2	Handheld Shower				
D-3	Shower elbow				
D-4	Shower hose				
z	Accessories Package				
<table border="1"> <thead> <tr> <th>For Repair And Warranty (Spare Parts)</th> <th>For Installation (Spare Parts)</th> </tr> </thead> <tbody> <tr> <td> </td> <td> </td> </tr> </tbody> </table>		For Repair And Warranty (Spare Parts)	For Installation (Spare Parts)		
For Repair And Warranty (Spare Parts)	For Installation (Spare Parts)				

SHOWER SYSTEM FAUCET

Installation instruction



A3816

MB/BN/BG/CH/ORB

CARE INSTRUCTIONS

Rinse the product with clear water. Dry the product with a soft cloth.

DO NOT:

Use abrasive cleansers, cloths, or paper towels. Use any cleaning agents containing acid, polish, wax, alcohol, ammonia, bleach, solvent or any other corrosive or harsh chemical cleansers.

! IMPORTANT

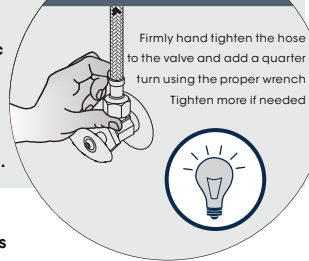
We recommends using a professional plumber for all installation and repair. Please inform yourself about the canadian plumbing code`s regulations and your local municipality plumbing codes before installation. the canadian plumbing code requires the installation of urge arresting devices to eliminate water hammering. allow an adequate opening in order to easily access connections or other plumbing devices for maintenance or repair.

RECOMMENDED TOOLS



* Apply plumber's putty under the plastic cover deck plecta to seal your installation.
Appliquez du mastic pour plombier sous la sous-plaque de plastique pour rendre votre installation étanche.

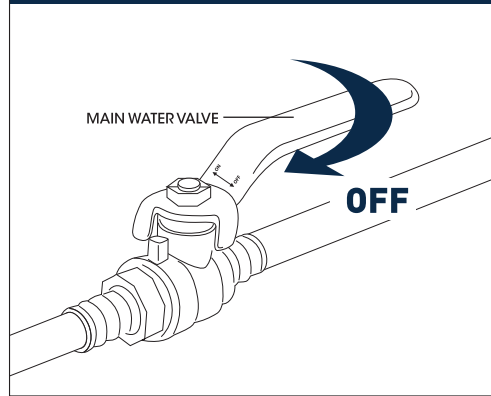
CONNECTION ADVICE



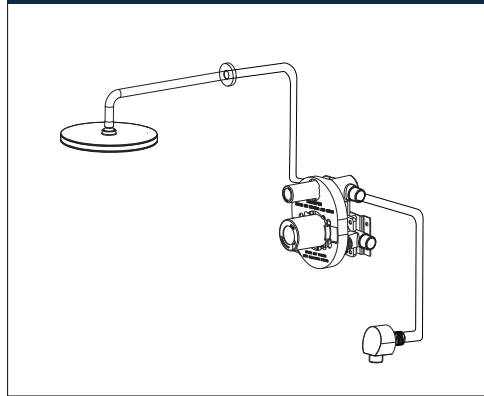
The model shown in the installation steps may differ from the one in box however connection type and installation steps are the same.

INSTALLATION STEPS

BEFORE YOU BEGIN



INSTALLATION WAY

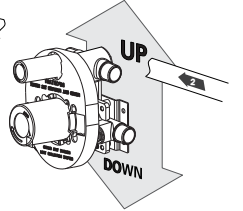


Rough-in-Installation primaire



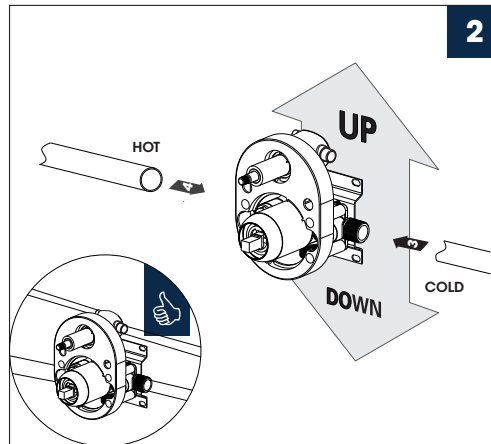
WHEN USING A HANDSHOWER, IT NEEDS TO BE CONNECTED TO THE TOP OUTLET

COPPER

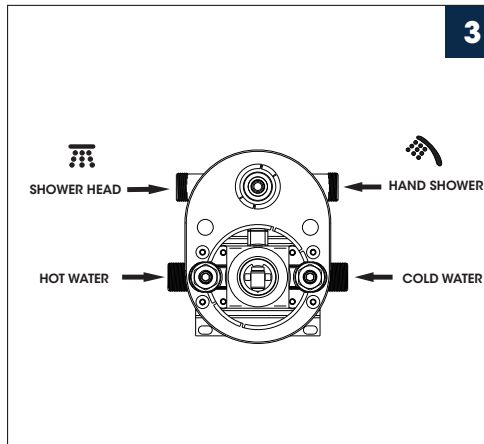


1

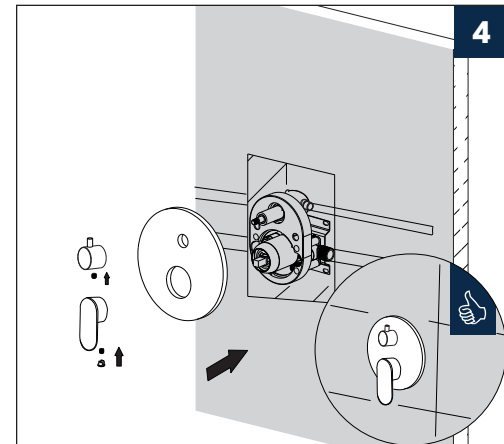
2



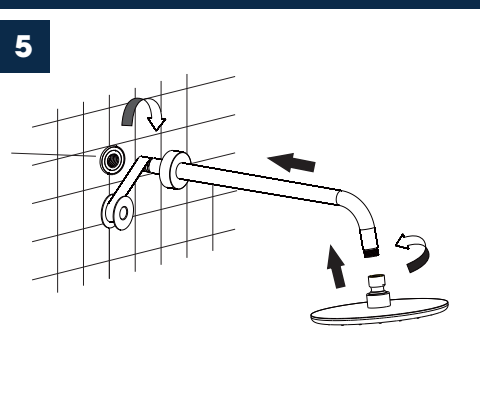
3



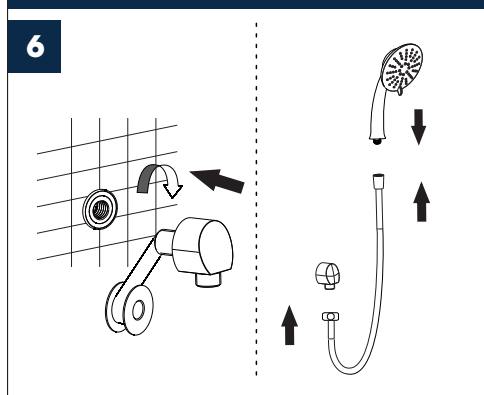
4



HEAD SHOWER



HAND SHOWER



HAND SHOWER

