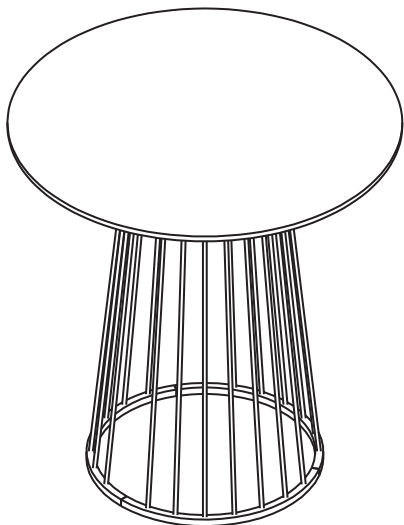


ASSEMBLY INSTRUCTION



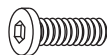
1*1



2*3



A*6



M6*14mm

B*3

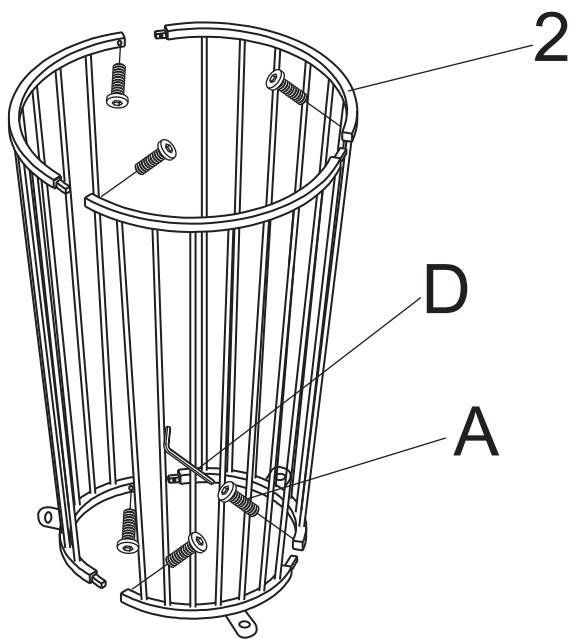
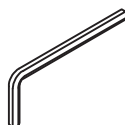


M6*16mm

C*3



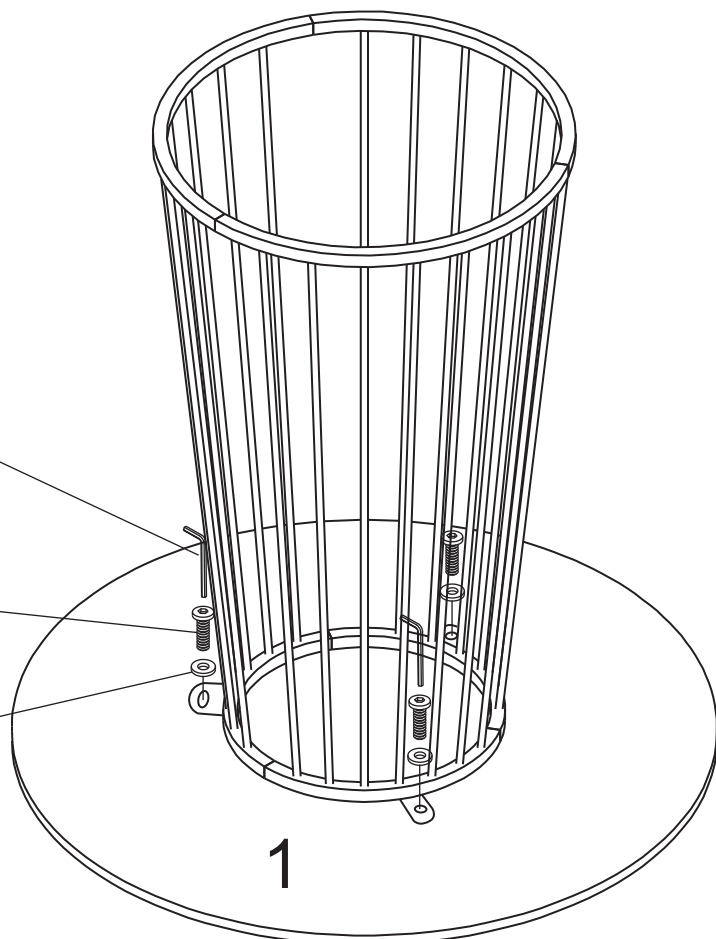
D*1



D

B

C



1