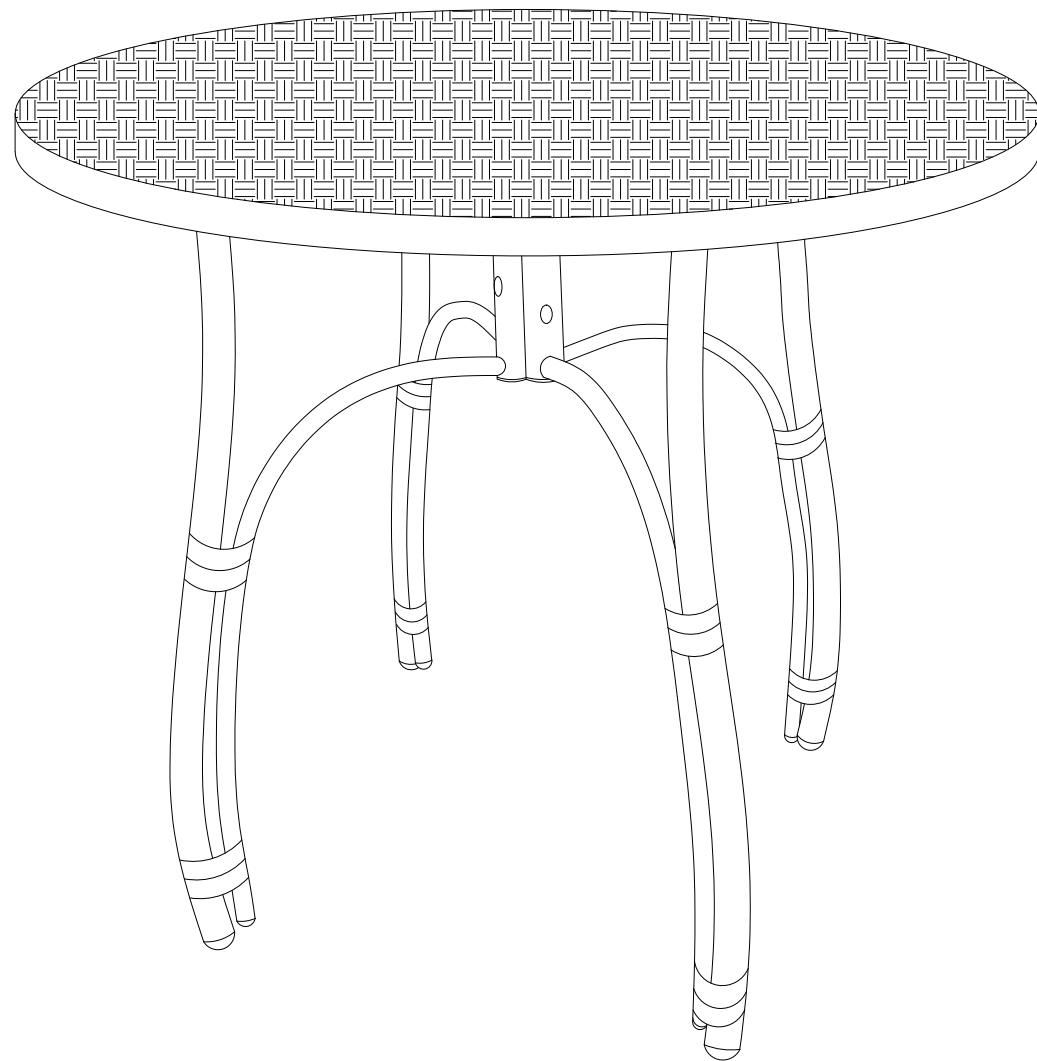


ASSEMBLY INSTRUCTION

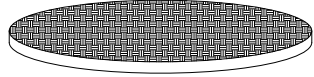
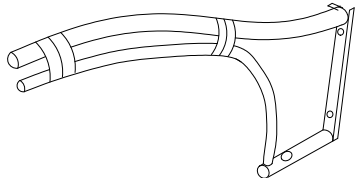
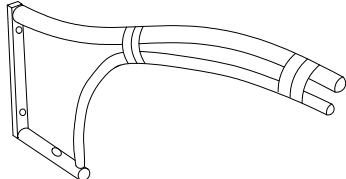
Outdoor Dining Table

SKU:25023DT

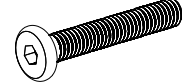
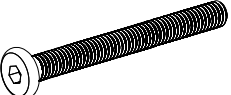
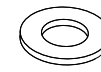


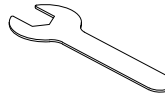


THANK YOU FOR PURCHASING

Component List

LABEL		DESCRIPTION	QTY
A		Desktop	1
B		Leg	2
C		Leg	2

Hardware List

LABEL		DESCRIPTION	QTY
D	 M6*30	Bolt	8
E	 M6*75	Bolt	2
F	 M6	Washer	12
G	 M6	Jan nut	2
H	 M6	Hex wrench	1
I	 M6	Open end wrench	1

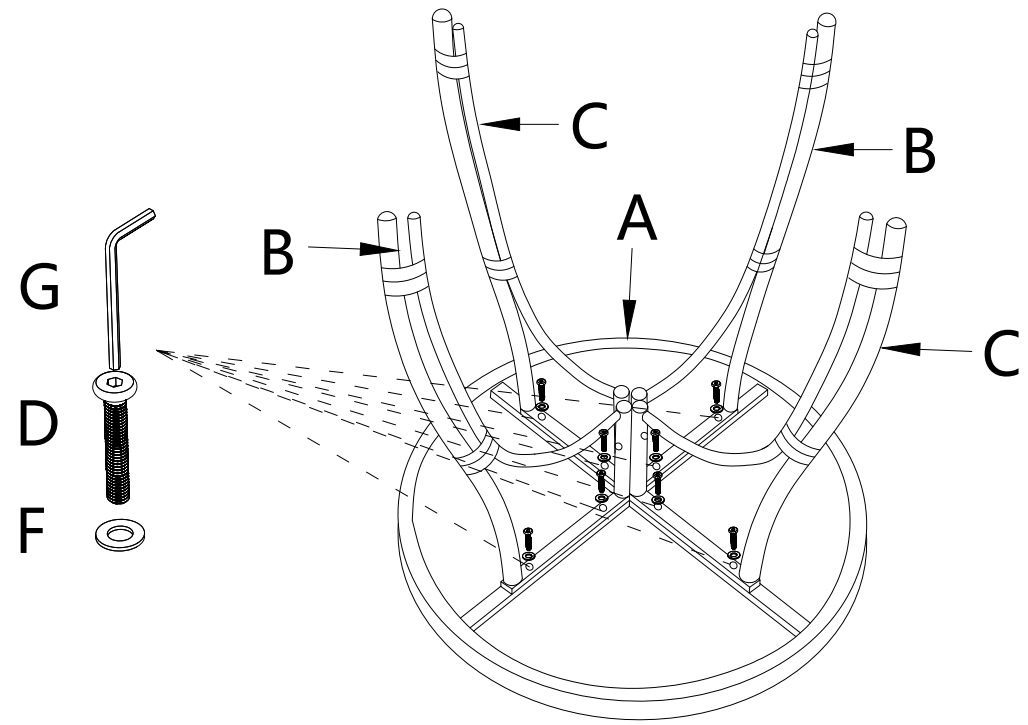
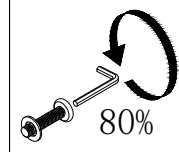
ATTENTION:
DO NOT tighten screws completely until assembly is completed;

3

1

Dx8PCS
M6*30(MM)

Fx8PCS
M6



2

Ex2PCS
M6*75(MM)

Gx2PCS
M6

Fx4PCS
M6

