

ASSEMBLY INSTRUCTIONS

DINING TABLE

ASSEMBLY REQUIREMENTS

2-Person
Assembly

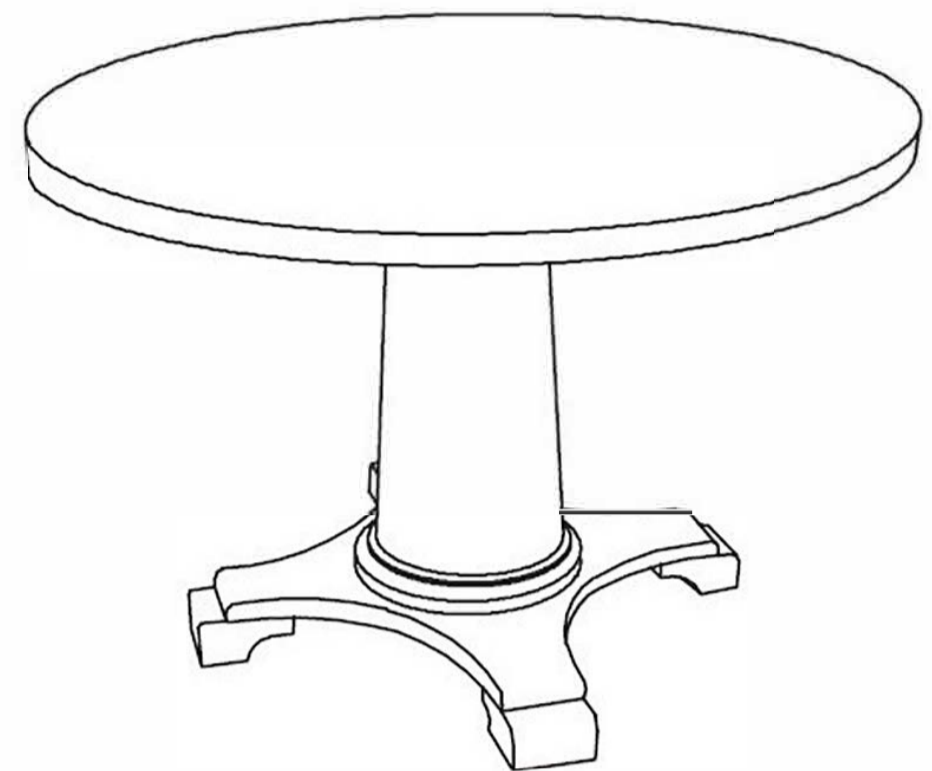
Assembly Time
(Approximate)

30 MINUTES

Thank you for purchasing our product!

Please refer and use this assembly instruction to assemble the product.

Contact our customer service department in case there are any missing or damage parts or hardware. Replacement parts are normally shipped within 2 or 3 days.



We appreciate your business!

ASSEMBLY PREPARATION

1. Remove all packaging materials, staples and packing straps from the carton.
2. Refer to Parts List and Hardware List and ensure they are complete before you start assembling.
3. Place all wooden parts on a clean, flat and soft surface (e.g. carpet or rug) to prevent parts from getting scratched.

SAFETY PRECAUTION:

1. KEEP ALL HARDWARE PARTS OUT OF REACH OF CHILDREN.
2. DISPOSE PLASTIC PACKAGING MATERIAL IMMEDIATELY TO AVOID ANY RISK OF SUFFOCATION TO CHILDREN AND ANIMALS.

TIPS FOR ASSEMBLY:

1. Allow ample room for assembly and in close proximity to where product will be placed.
2. Assemble the product on a surface that does not scratch or damage the exterior gloss and finish of the furniture.
3. Please check all of the parts and quantities are included before assembly. Contact customer service for missing parts.
4. Identify all of the parts, hardware and quantities required for each step.
5. During assembly, do not over-tighten any fittings as this may cause damage.
6. DO NOT USE POWER TOOLS TO ASSEMBLE THIS PRODUCT.
7. Always place the product on a flat surface.
8. Do not sit or stand on the partially assembled product; only use the product for which it is intended.

CARE AND MAINTENANCE

1. Use a slightly damp cloth to clean the product. Do not use bleach or abrasive cleaning material.
2. Check all the fittings periodically and re-tighten as necessary. Do not use the product if any of the parts is damaged or broken.
3. Never allow any kind of liquid to remain on your furniture. Absorption can cause wood to warp or delaminate.
4. Do not place hot items (e.g. hot drinks) directly onto the wood surface.
5. Do not drag and/or pull the furniture.

This product is for indoor and household use only - not for commercial use.

ASSEMBLY INSTRUCTIONS

DINING TABLE

PARTS LIST (FOR 1 NOS. OF TABLE)

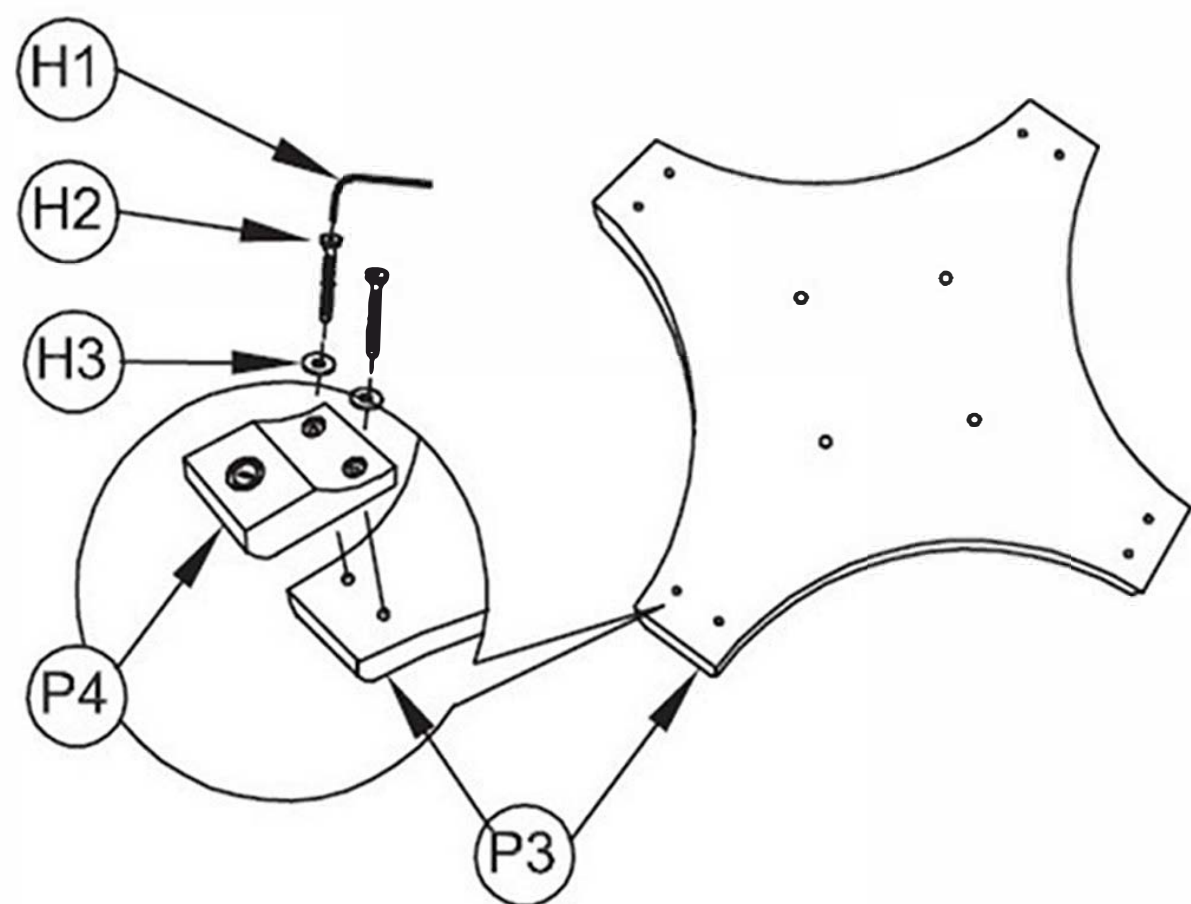
NO.	COMPONENT	QTY.
P1	TABLE TOP	1
P2	PEDESTAL LEG	1
P3	LEG BASE BOARD	1
P4	FOOT BLOCK	4
P5	MOUNTING BAR	2

HARDWARE LIST (FOR 1 NOS. OF TABLE)

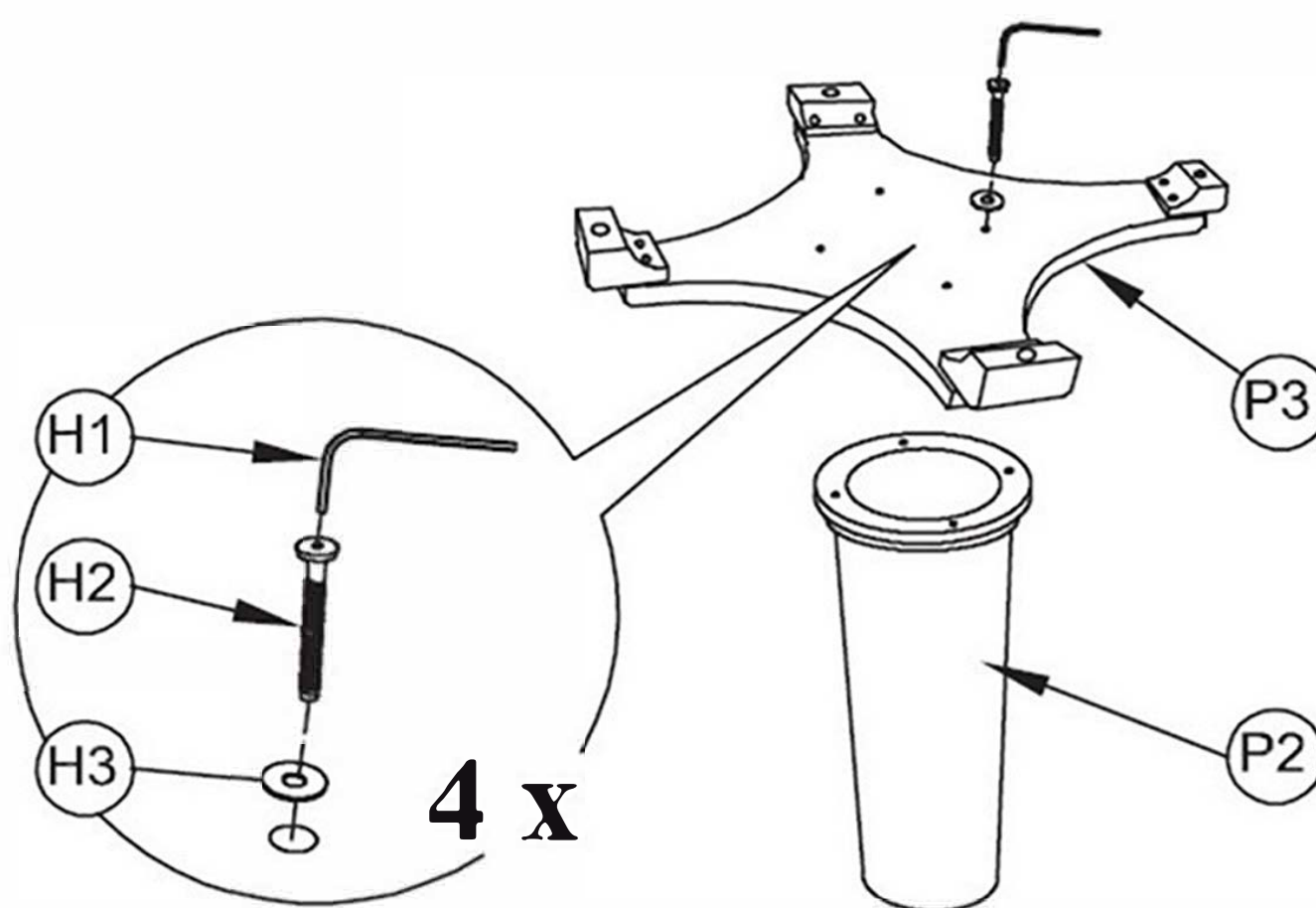
NO.	DESCRIPTION	QTY.	EXTRA
H1	ALLEN KEY 	1	
H2	JCBC BOLT M6 X 40MM 	20	1
H3	SPRING WASHER 	20	2
H4	ADJUSTABLE LEG GLIDE 	4	1

* Extra Hardware for Spare Use"

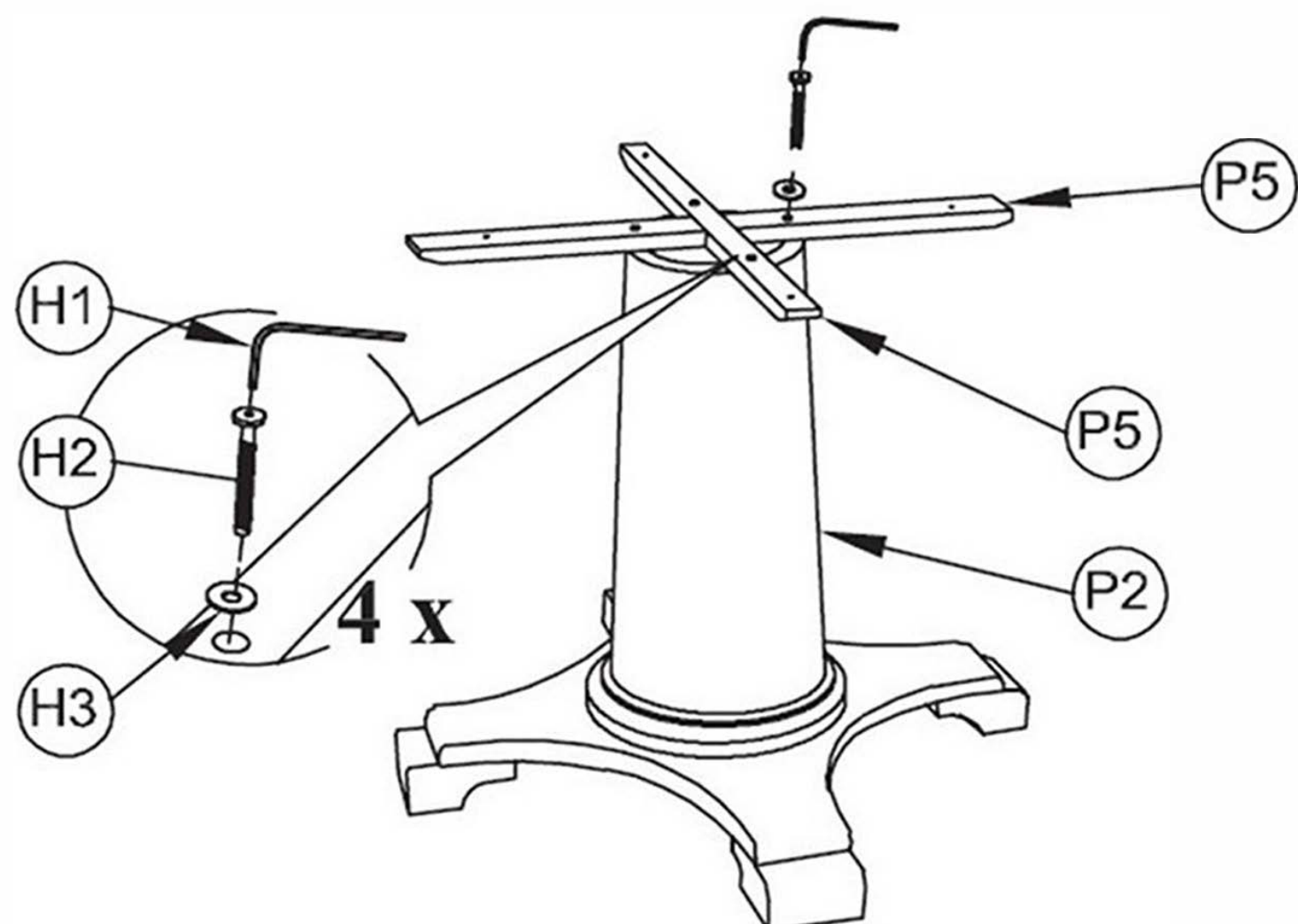
Step 1. First, place Leg Base Board (P3) bottom-side up. Next, align holes on Foot Block (P4) to holes on Leg Base Board (P3). Then insert JCBC Screw (H2) fitted with Spring Washer (H3) into each of the 2 holes. Use Allen Key (H1) to tighten (H2). Do not tighten (H2) completely until both screws are in place. Do not over tighten the screws.



Step 2. Place Pedestal Leg (P2) bottom-side up. Align the 4 holes at the central part of Leg Base Board (P3) to holes on Pedestal Leg (P2). Then insert JCBC Screw (H2) fitted with Spring Washer (H3) into the holes. Use Allen Key (H1) to tighten (H2). Do not tighten (H2) completely until all 4 screws are in place. Do not over tighten the screws.



Step 3. Place Pedestal Leg (P2) standing up as shown. Align the 4 innermost holes on Mounting Bar (P5) to the 4 holes on Pedestal Leg (P2). Then insert JCBC Screw (H2) fitted with Spring Washer (H3) into the holes. Use Allen Key (H1) to tighten (H2). Do not tighten (H2) completely until all 4 screws are in place. Do not over tighten the screws.



Step 4. Place Table Top (P1) bottom-side up on a material that does not scratch or damage the part. Align holes on Mounting Bar (P5) to holes on table bottom. Insert JCBC Screw (H2) fitted with Spring Washer (H3) into the holes. Use Allen Key (H1) to tighten (H2). Do not tighten (H2) completely until all 4 screws are in place. Do not over tighten the screws. Insert Adjustable Leg Glide (H4) to the Foot Block holes, and use hand to screw in (H4) completely. Do not over tighten. Turn the table right-side up. The assembly of the table is complete.

