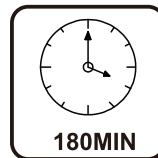
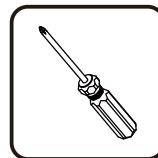
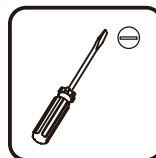
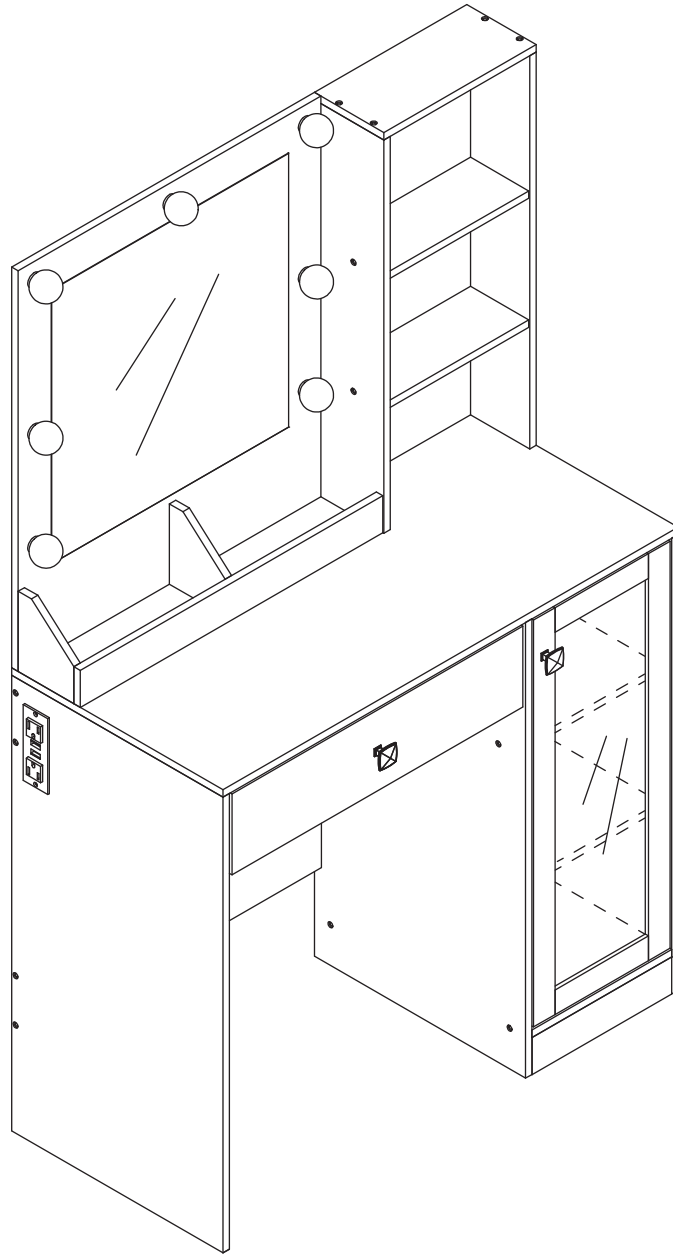
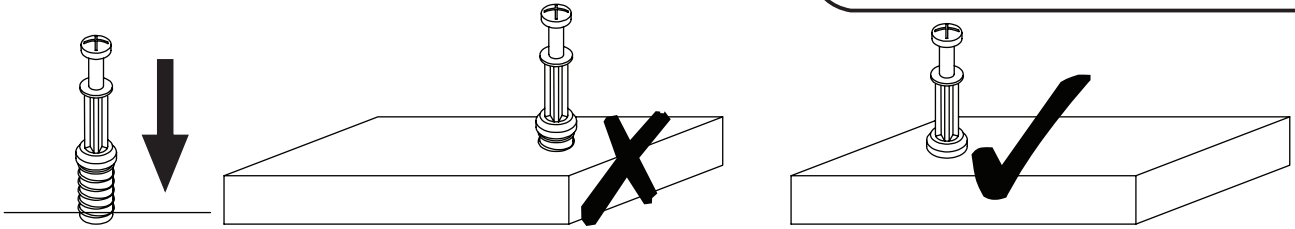


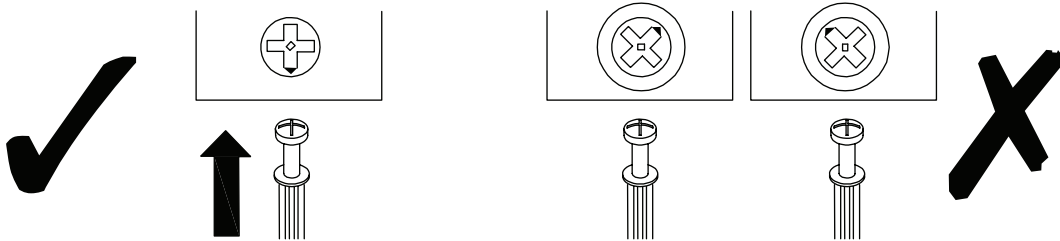
Installation Manual



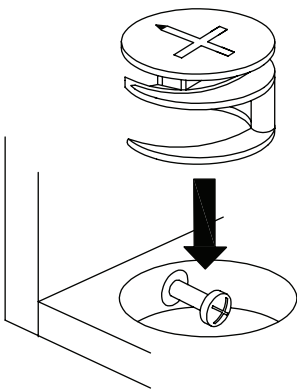
EN_IMPORTANT, RETAIN FOR FUTURE REFERENCE: READ CAREFULLY.



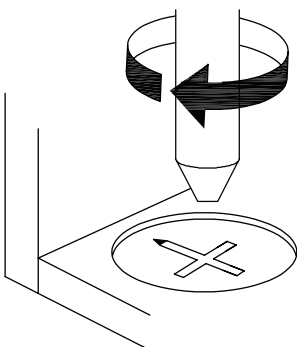
EN_QUICKFIT: Tighten quickfit until shoulder is flush with panel. Do not overtighten or undertighten.



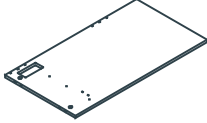
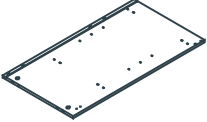
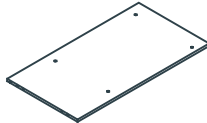
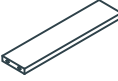
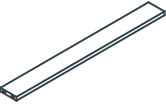
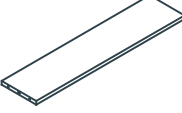

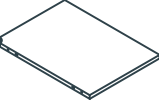
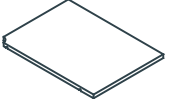
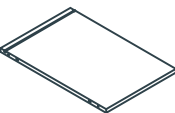
EN_CAM LOCK: When fitting cam lock, ensure starting position is correct before you insert connecting quickfit.

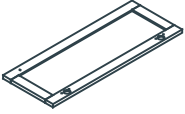
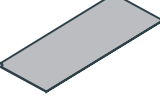
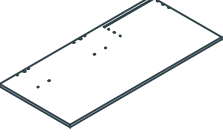
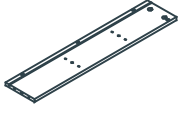
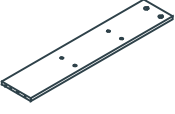
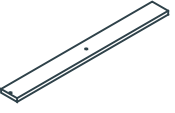


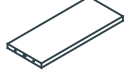
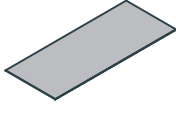


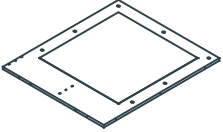
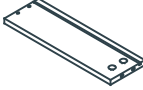
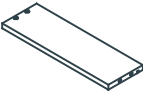

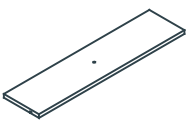

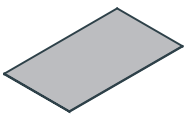
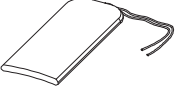
EN_Quickfit head should be in the centre of the cam lock when the two panels are joined.
Cam lock should be inserted before quickfit.

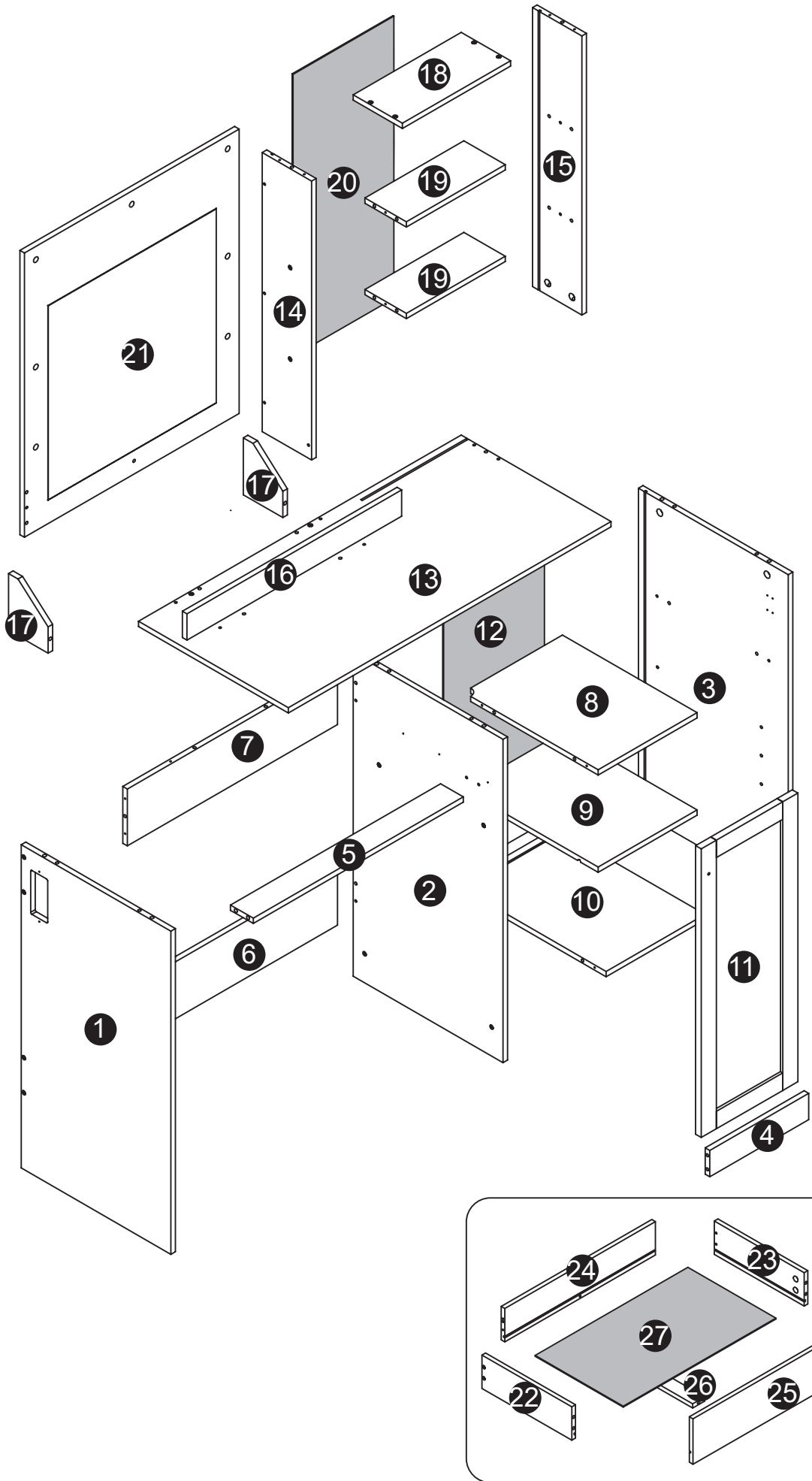








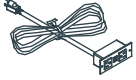
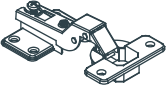
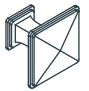
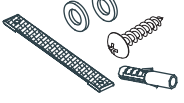



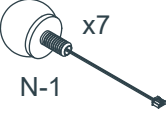


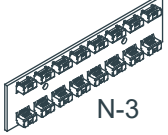


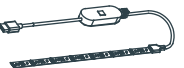







EN_Turn cam lock clockwise to tighten.

NO.	PARTS	QTY	SPARE
①		x1	
②		x1	
③		x1	
④		x1	
⑤		x1	
⑥		x1	
⑦		x1	
⑧		x1	
⑨		x1	
⑩		x1	

NO.	PARTS	QTY	SPARE
⑪		x1	
⑫		x1	
⑬		x1	
⑭		x1	
⑮		x1	
⑯		x1	
⑰		x2	
⑱		x1	
⑲		x2	
⑳		x1	

NO.	PARTS	QTY	SPARE
②1		x1	
②2		x1	
②3		x1	
②4		x1	
②5		x1	
②6		x1	
②7		x1	
	 Hardware Kit		

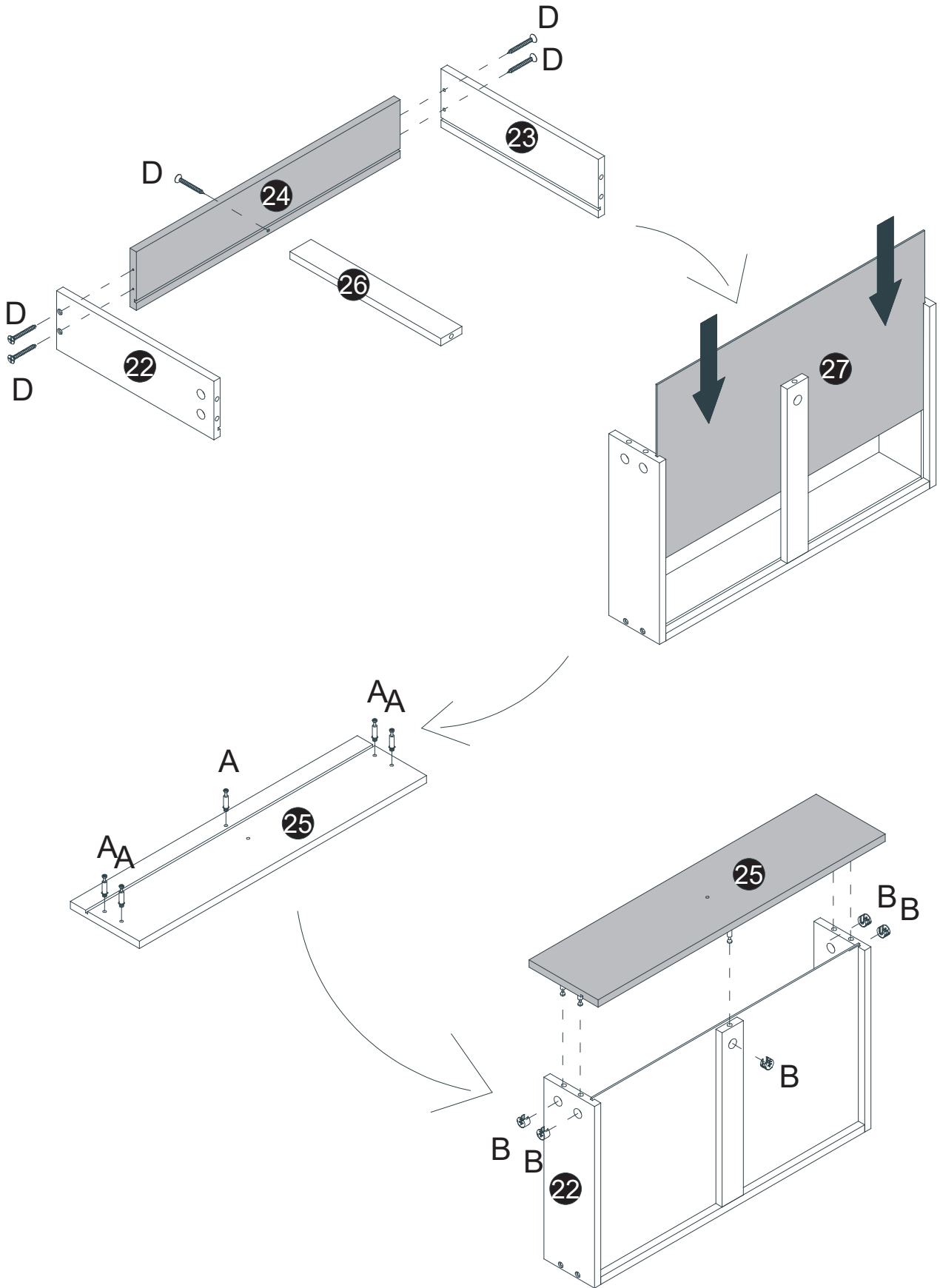
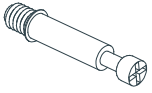


<p>A x23 Ø6x35mm +2(spare)</p> 	<p>B x23 Ø15x10mm +2(spare)</p> 	<p>C x44 Ø6x30mm +2(spare)</p> 	<p>D x41 Ø4x35mm +2(spare)</p> 	<p>E x26 Ø3.5x12mm +2(spare)</p> 	<p>F x8 +1(spare)</p> 
<p>G x1</p> 	<p>H x2</p> 	<p>I x1</p> 	<p>J x2</p> 	<p>K x28</p> 	<p>L x1</p> 
<p>M x1</p> 	<p>N-1 x7</p> 		<p>N-2 x7</p> 		<p>O x4</p> 
<p>N-3</p> 			<p>N-4</p> 		<p>CRx1 L300mm</p> 
<p>P x1</p> 	<p>Q x4</p> 	<p>R x2</p> 	<p>S x2 Ø3.5x12mm</p> 	<p>CLx1 L300mm</p> 	<p>CRx1 L300mm</p> 
<p>DL x1 L300mm</p> 	<p>DR x1 L300mm</p> 				

A x5

B x5

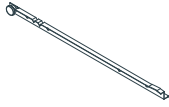
D x5



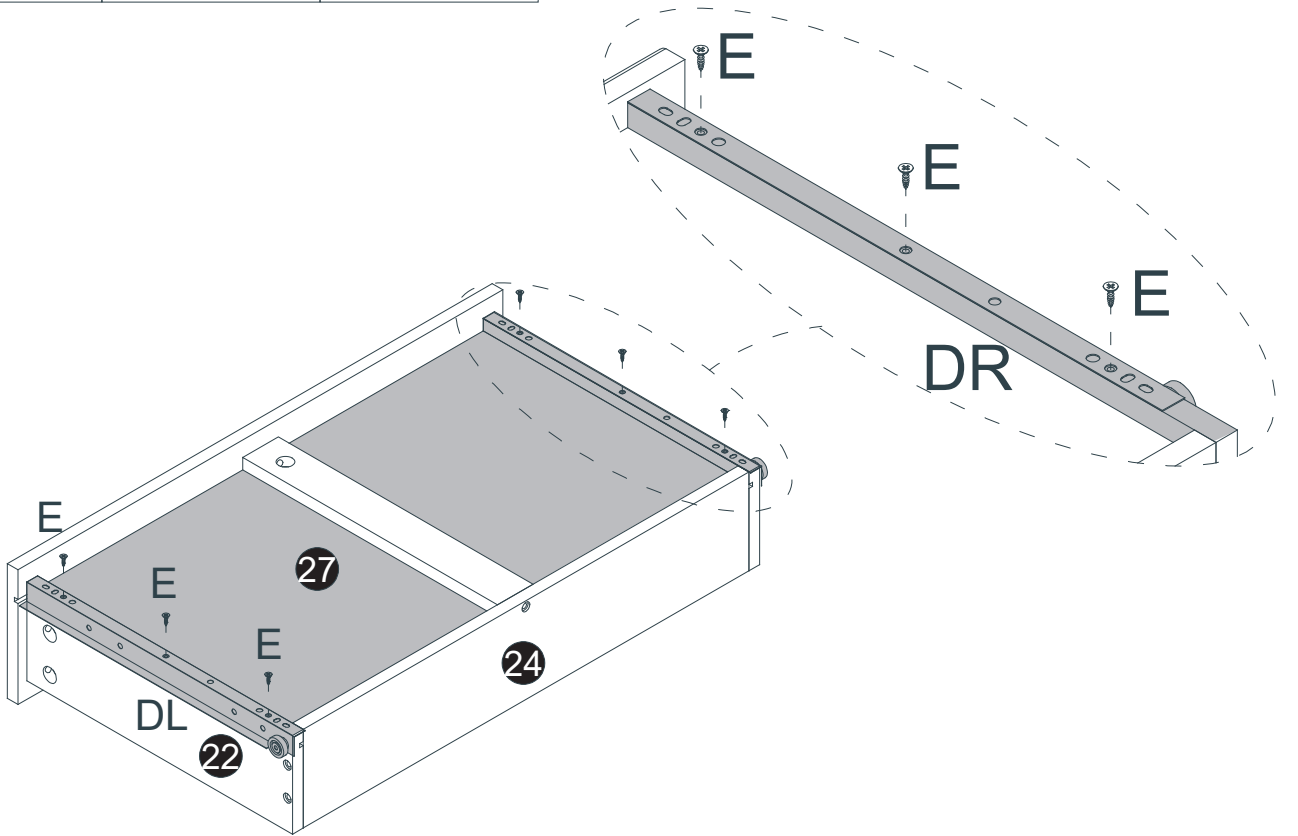
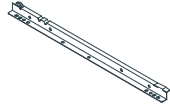
E x6



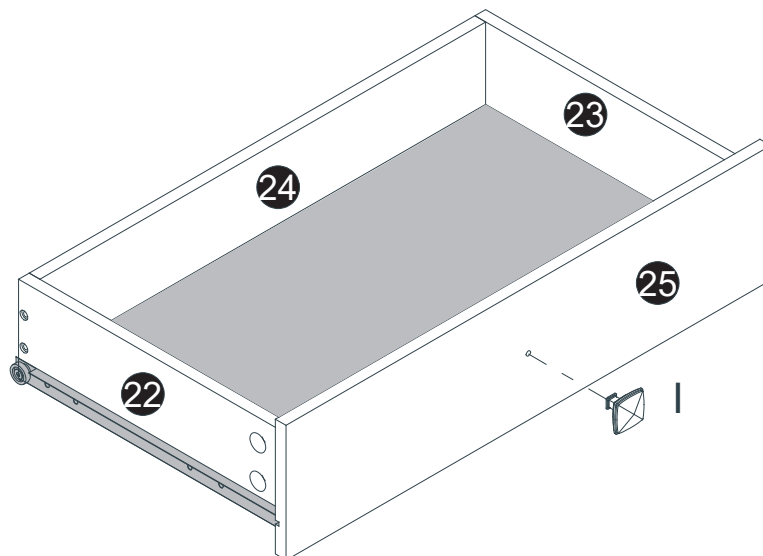
DL x1



DR x1



I x1

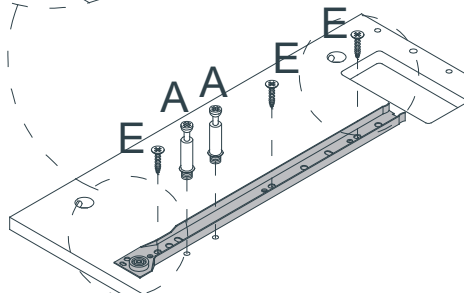
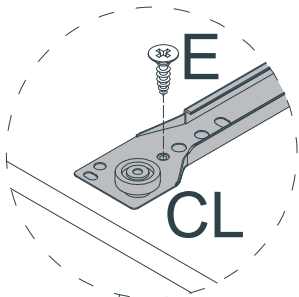
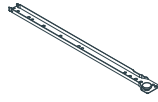
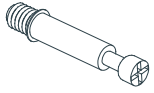


A x4

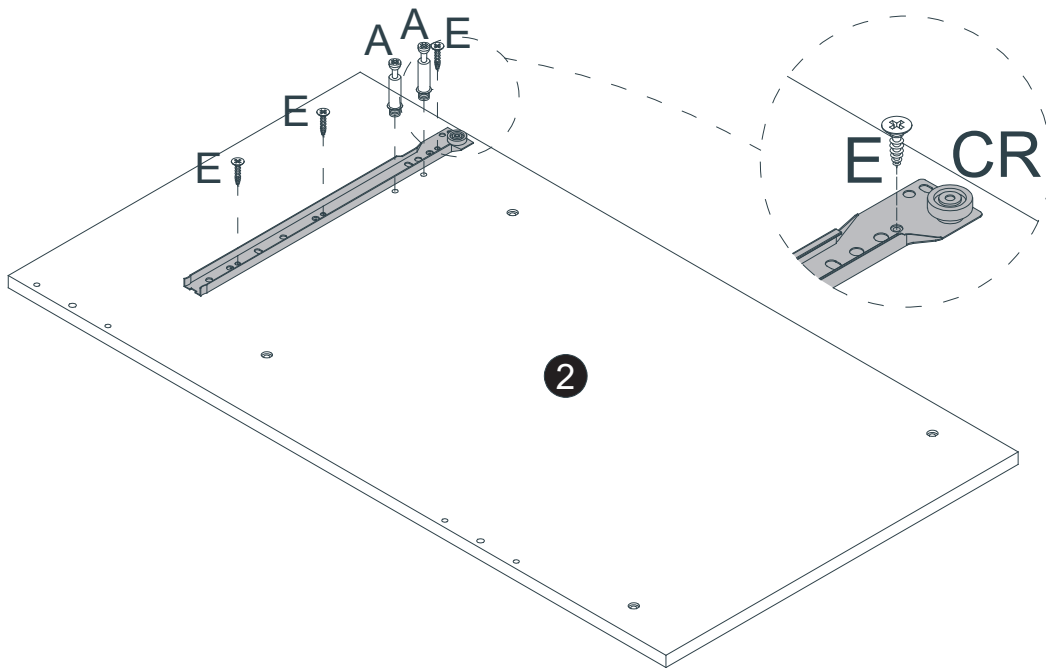
E x6

CL x1

CR x1



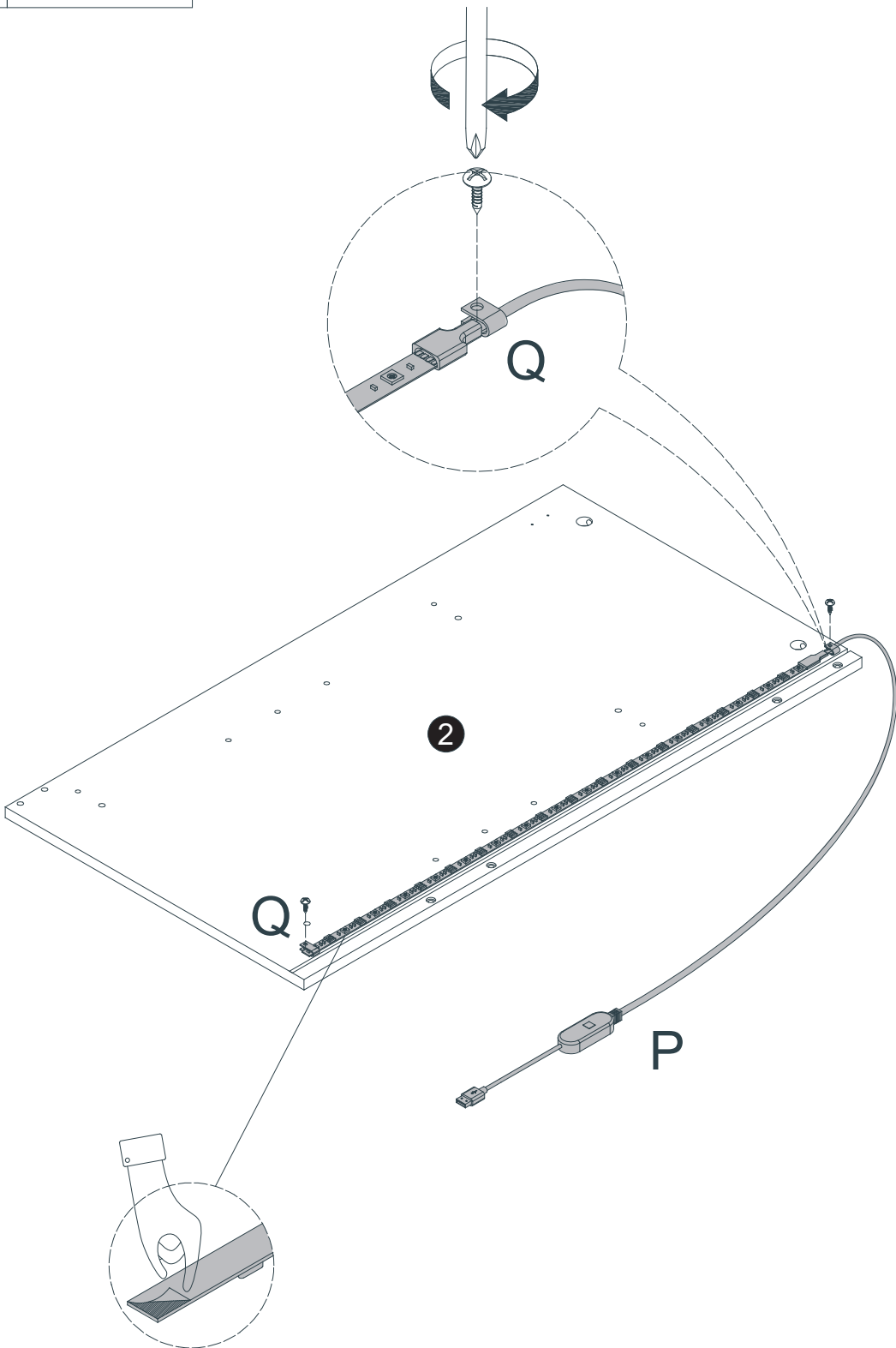
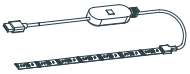
1



2

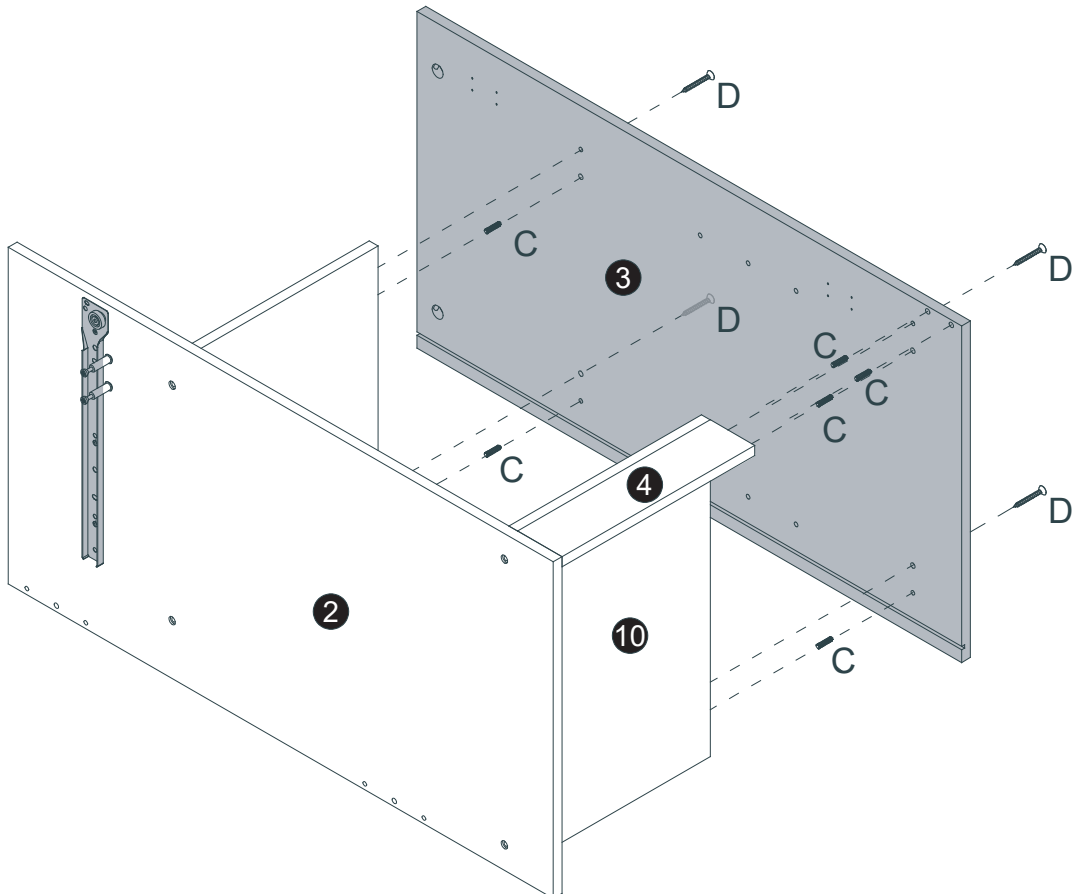
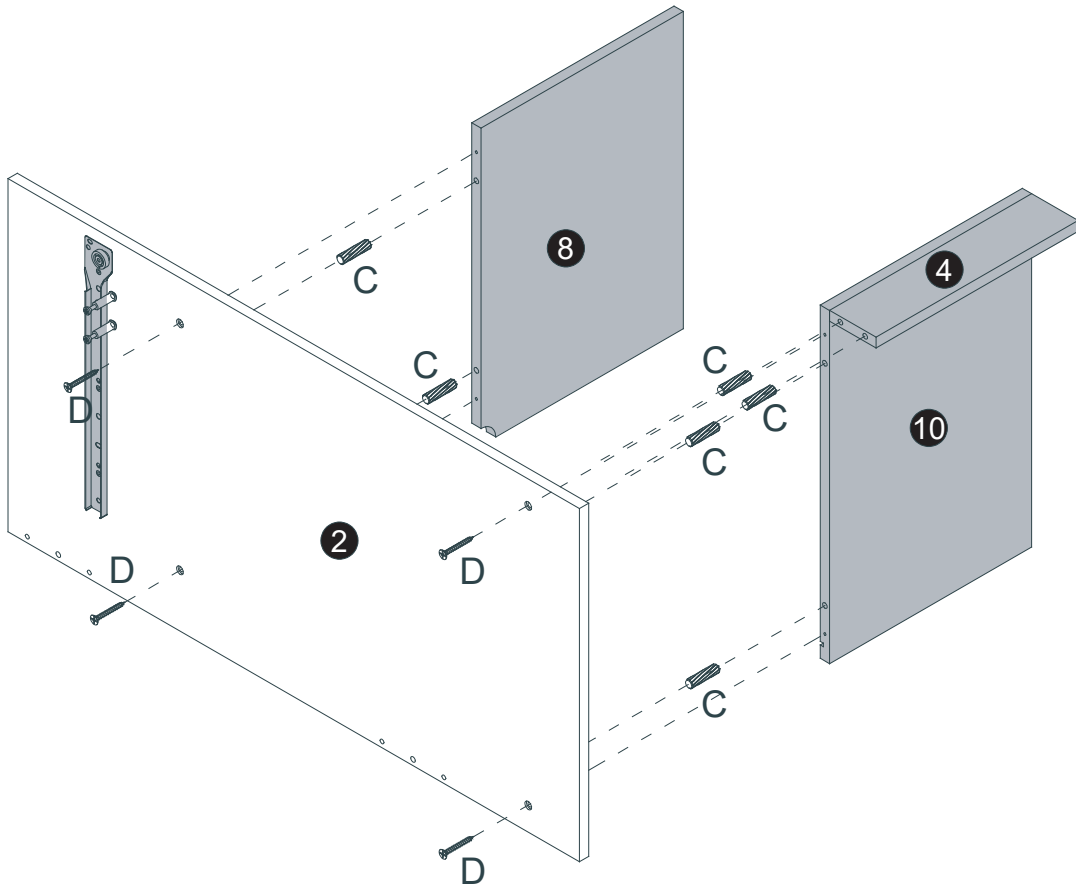
P x1

Q x2



C x12

D x8

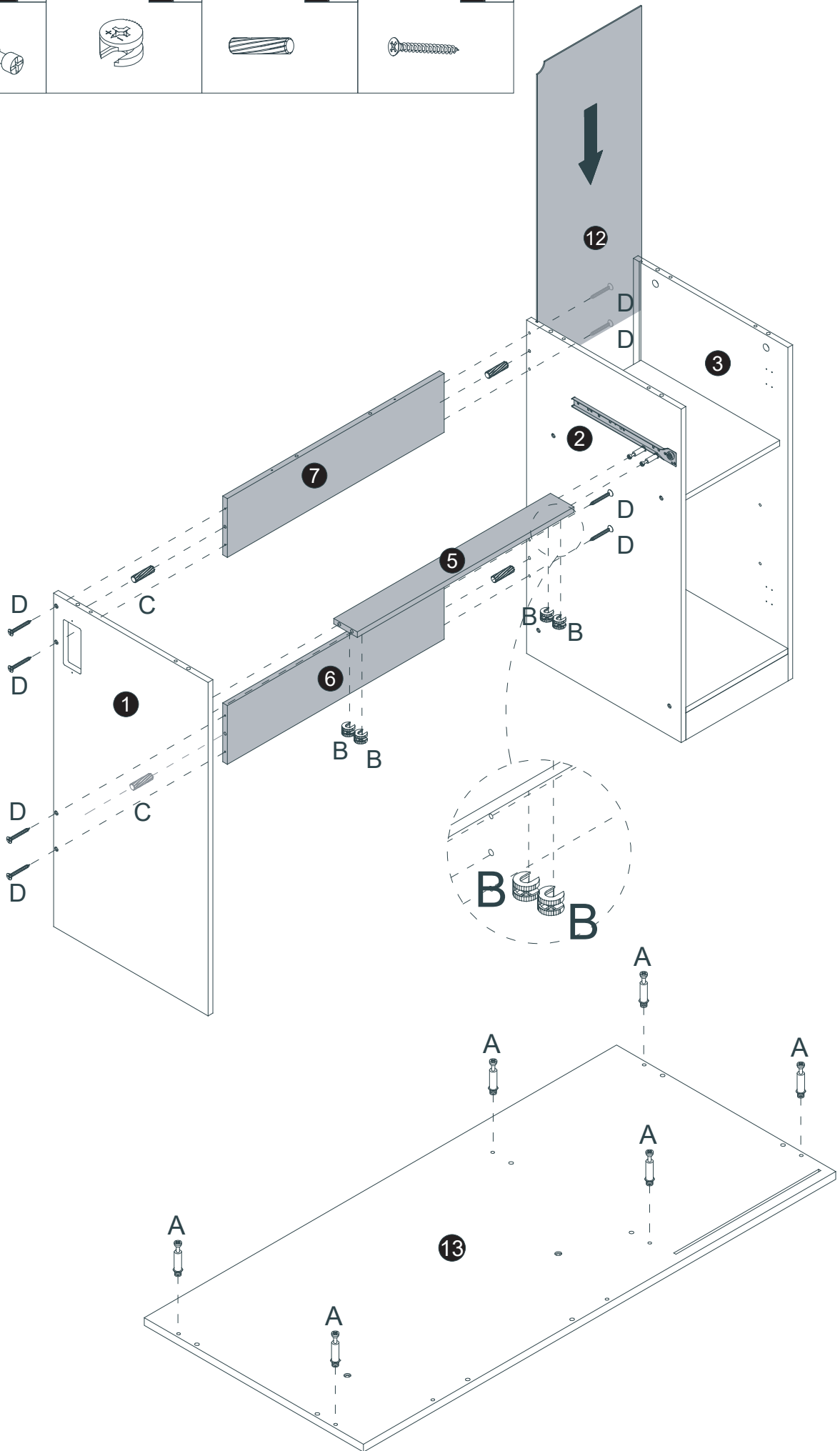
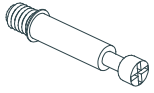


A x6

B x4

C x4

D x8

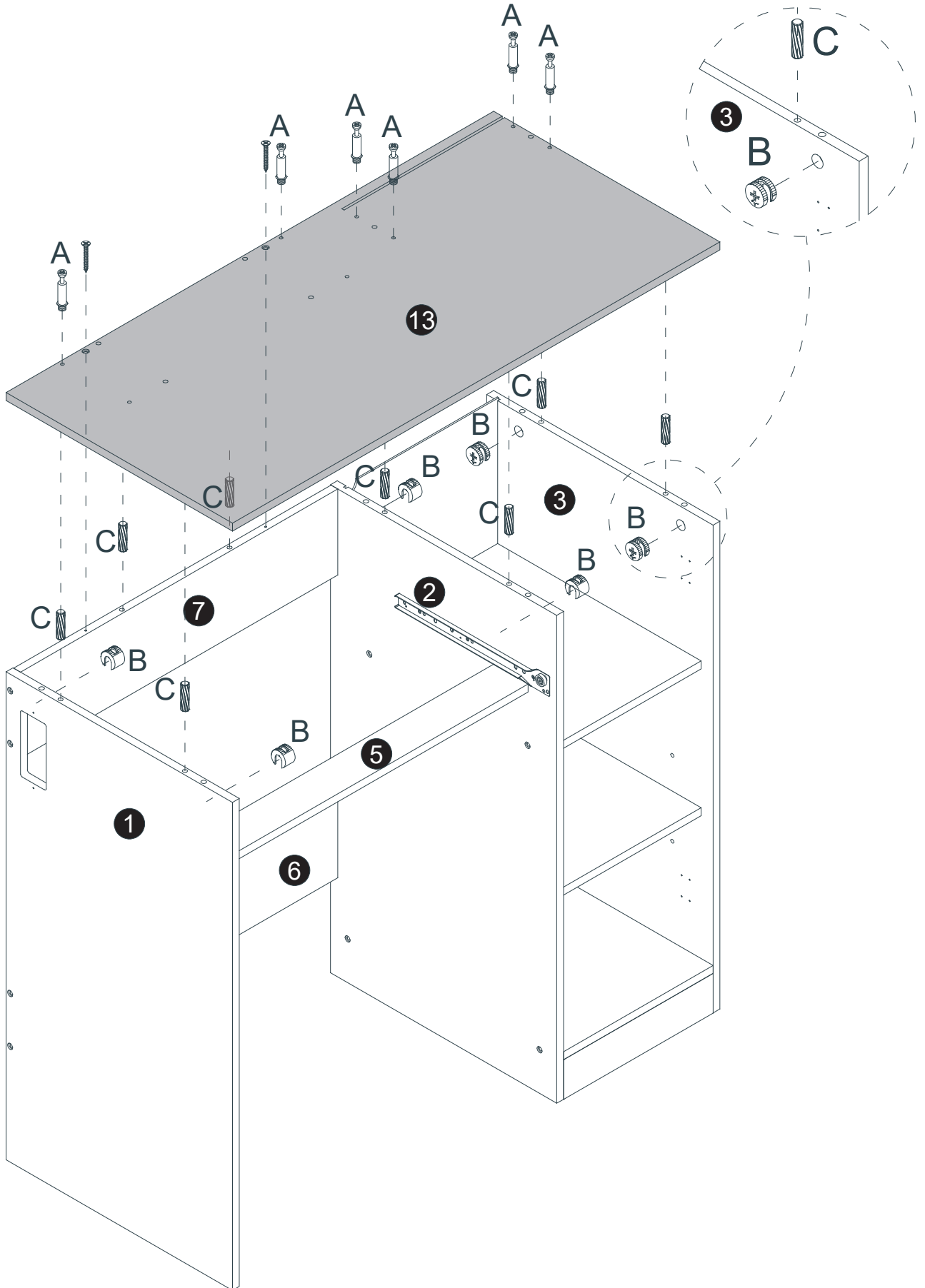
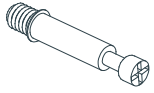


A x6

B x6

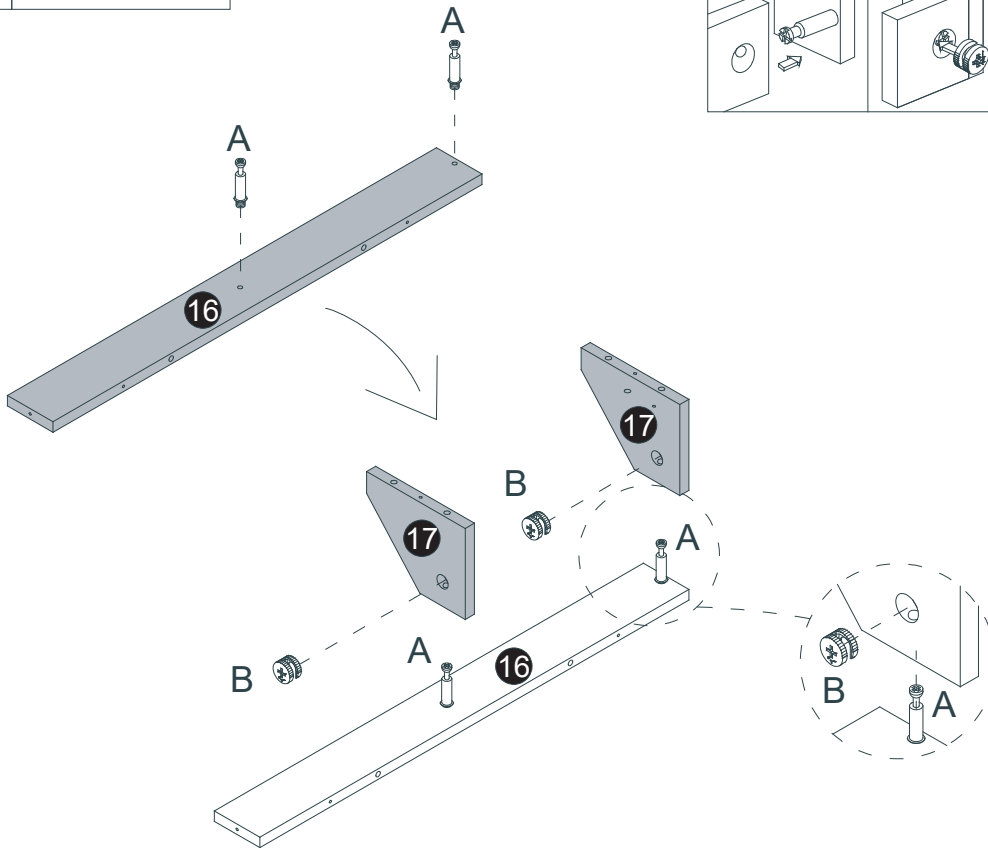
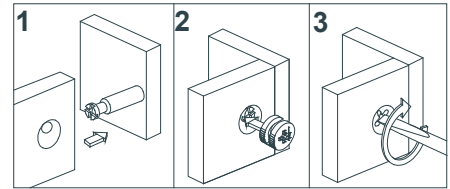
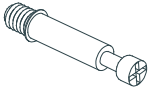
C x8

D x2



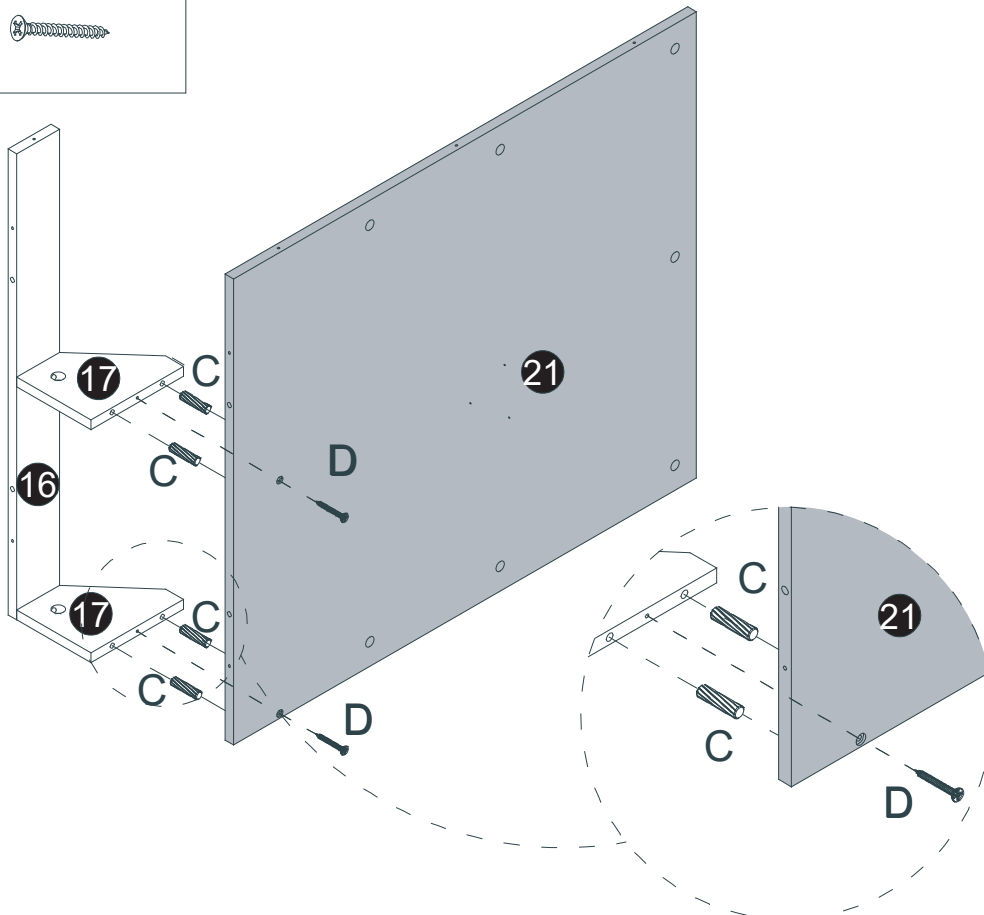
A x2

B x2



C x4

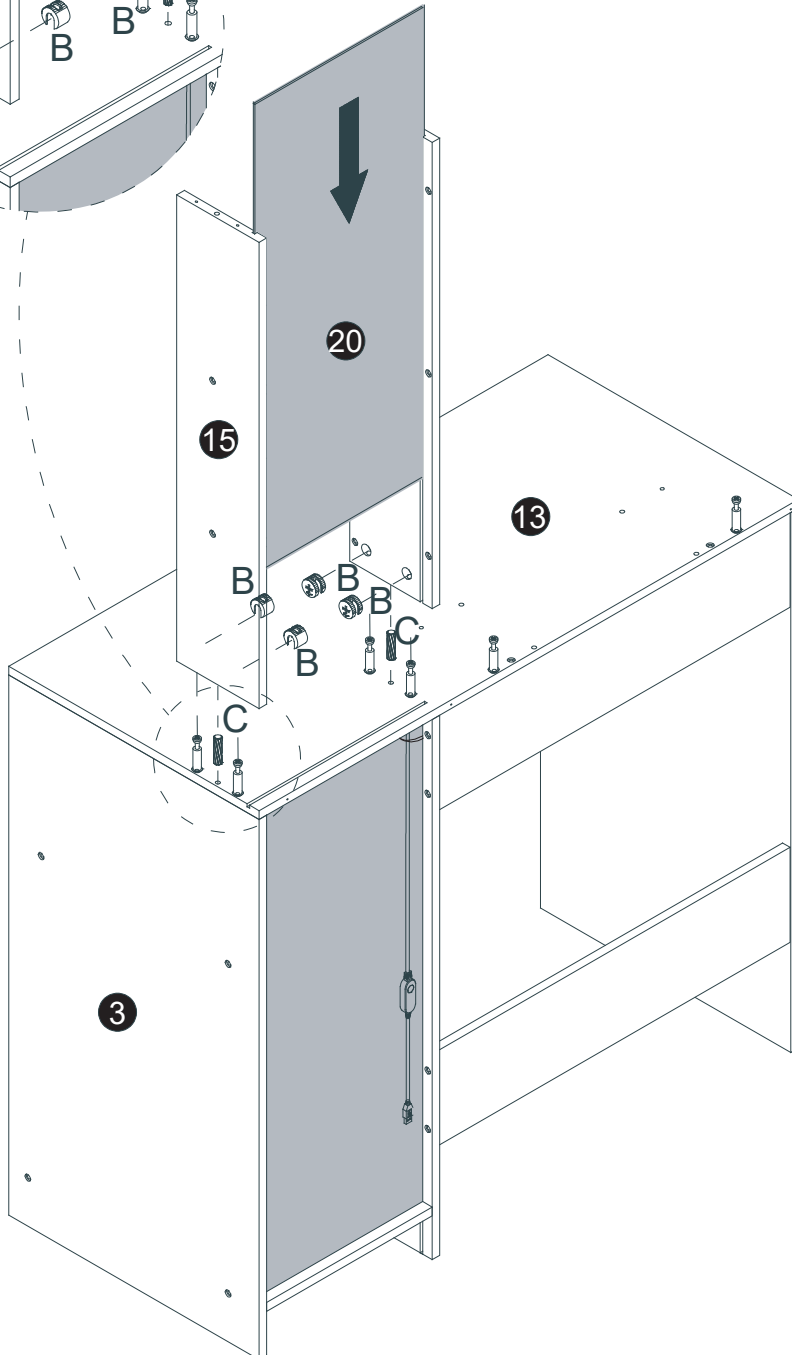
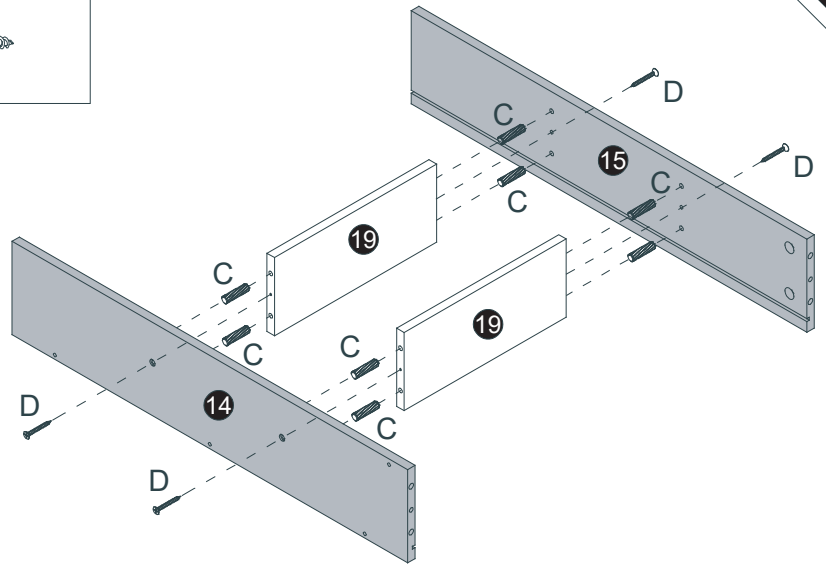
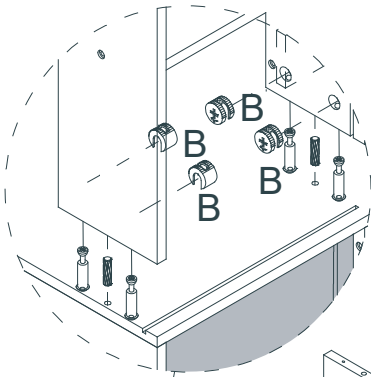
D x2



B x4

C x10

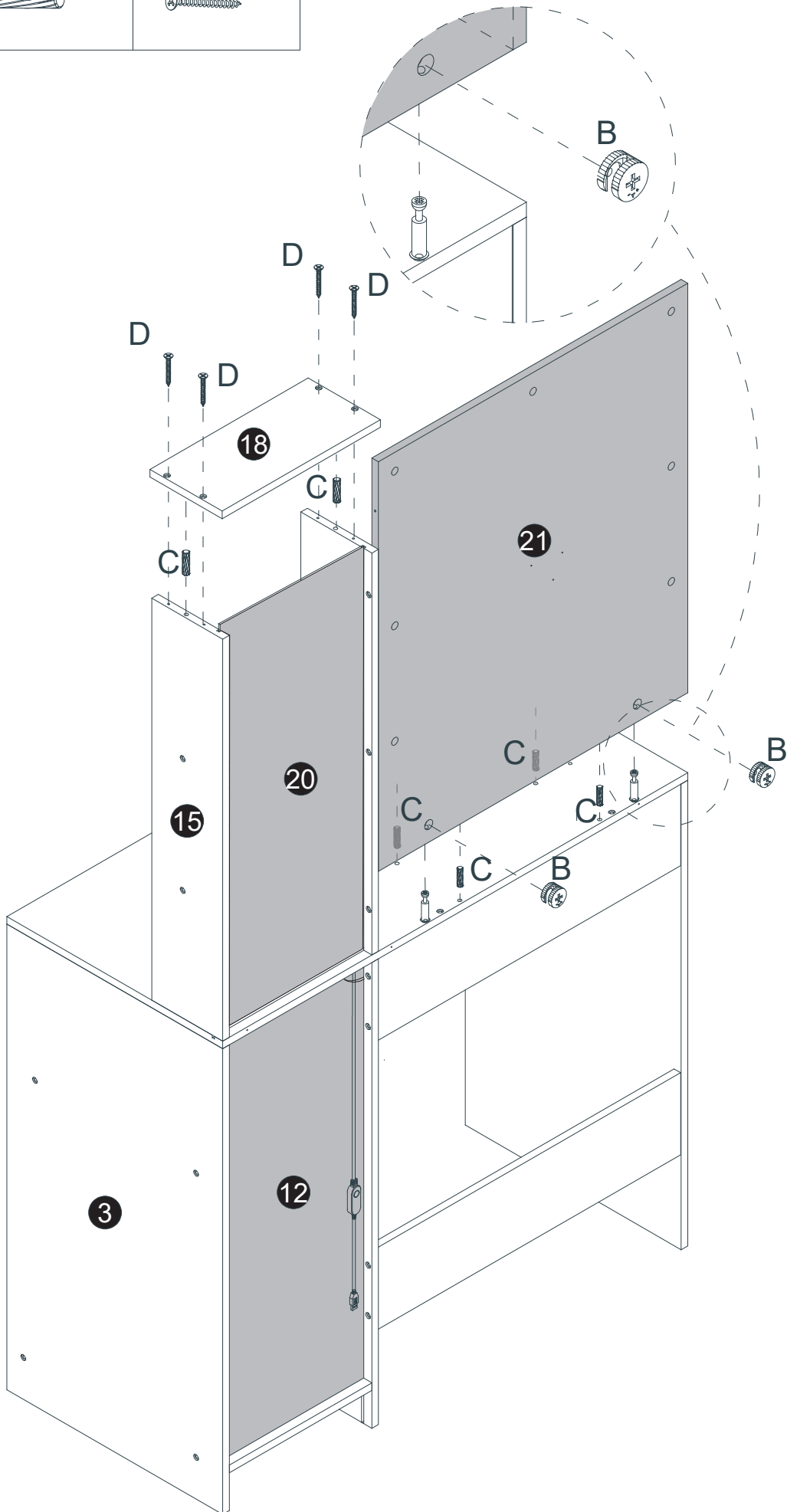
D x4



B x2

C x6

D x4

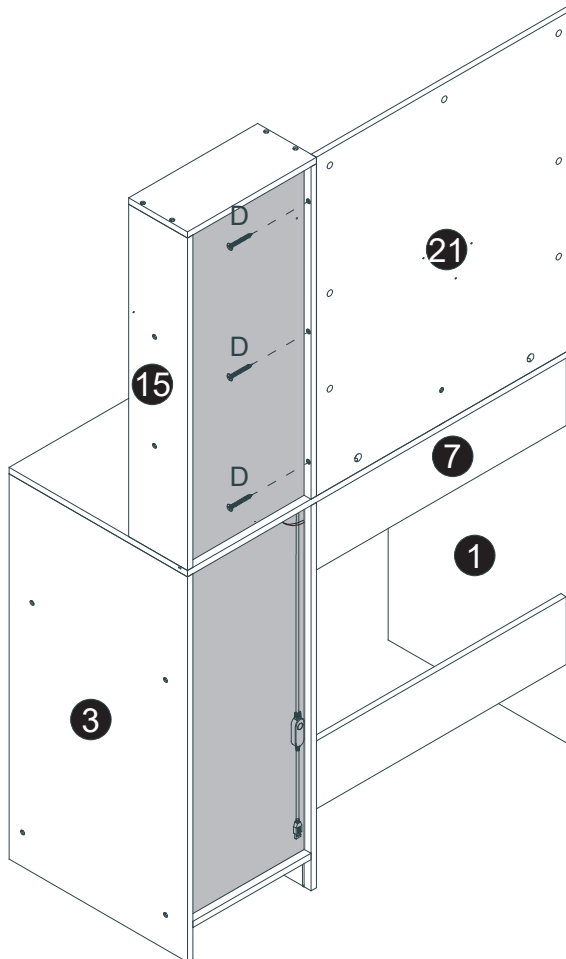
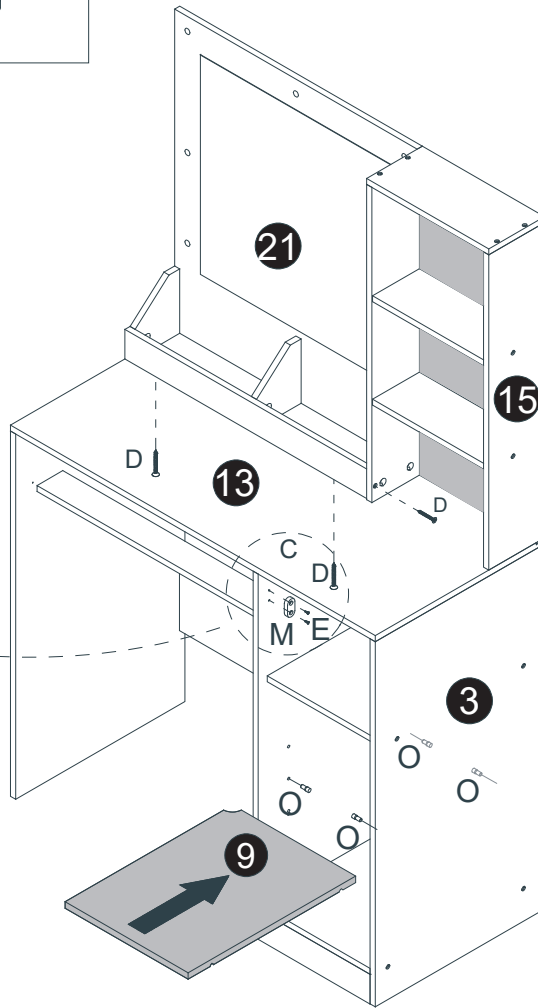
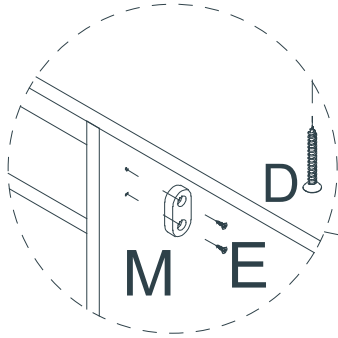


D x6

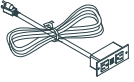
E x2

M x1

O x4



G x1



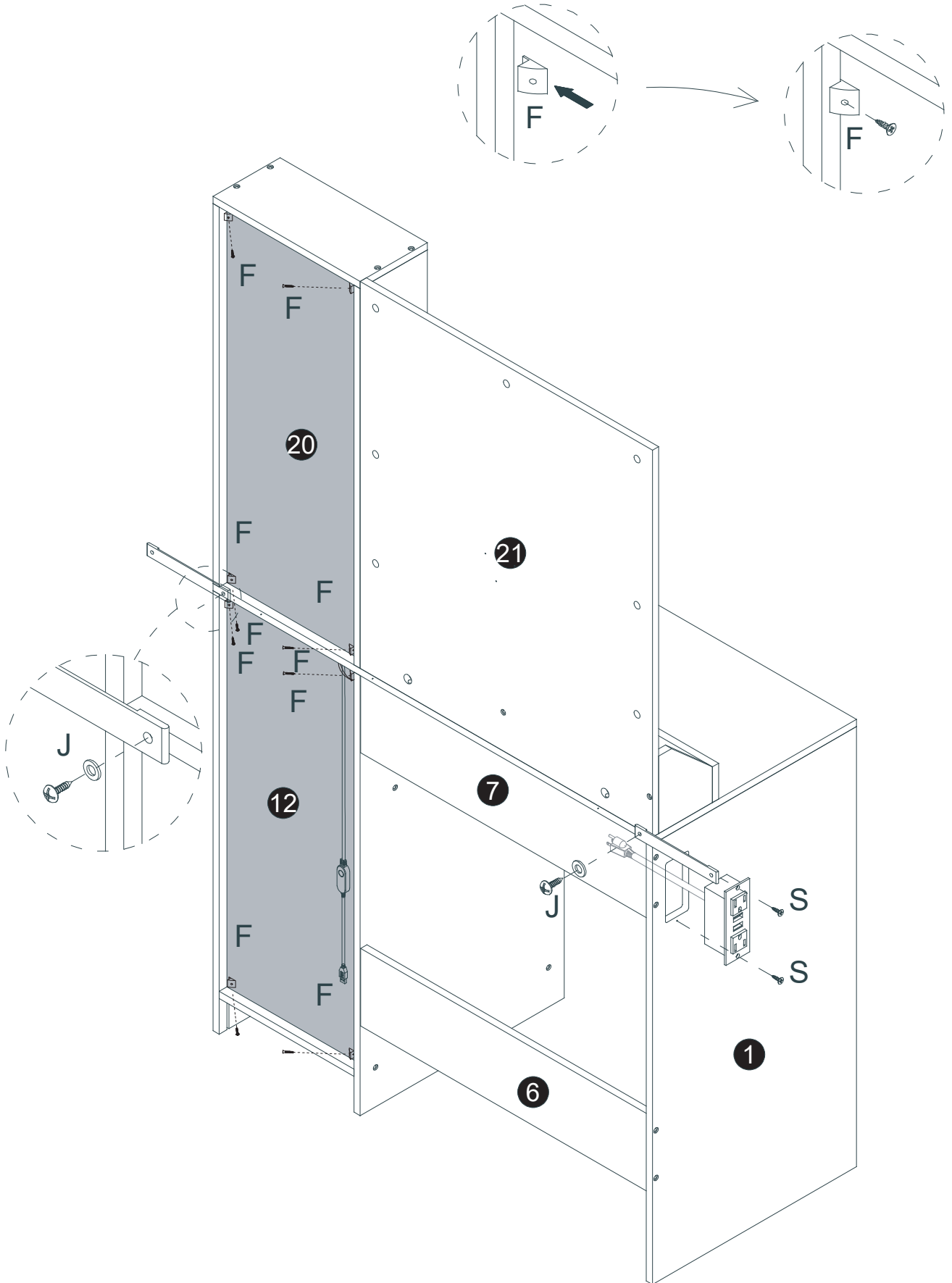
S x2



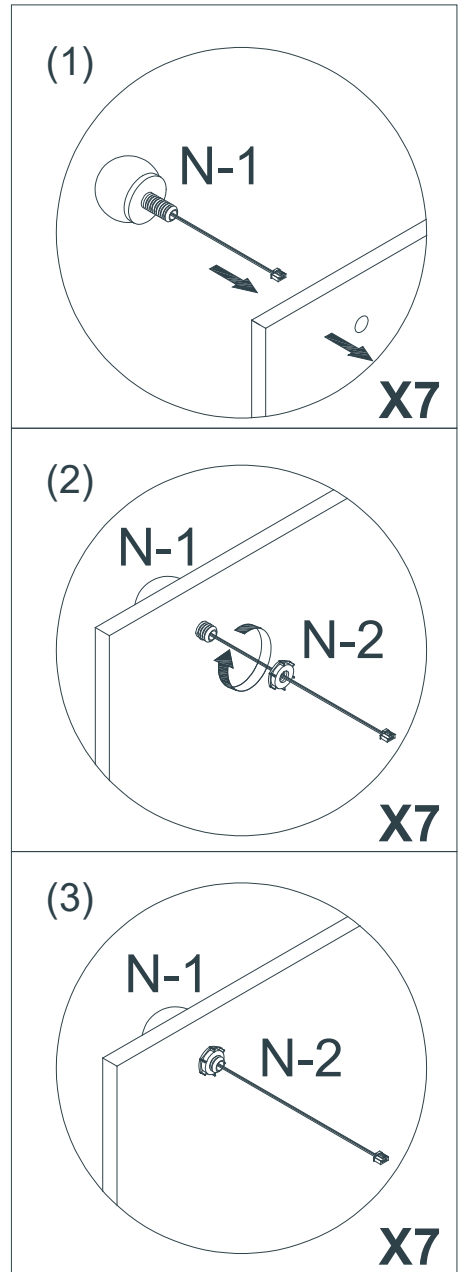
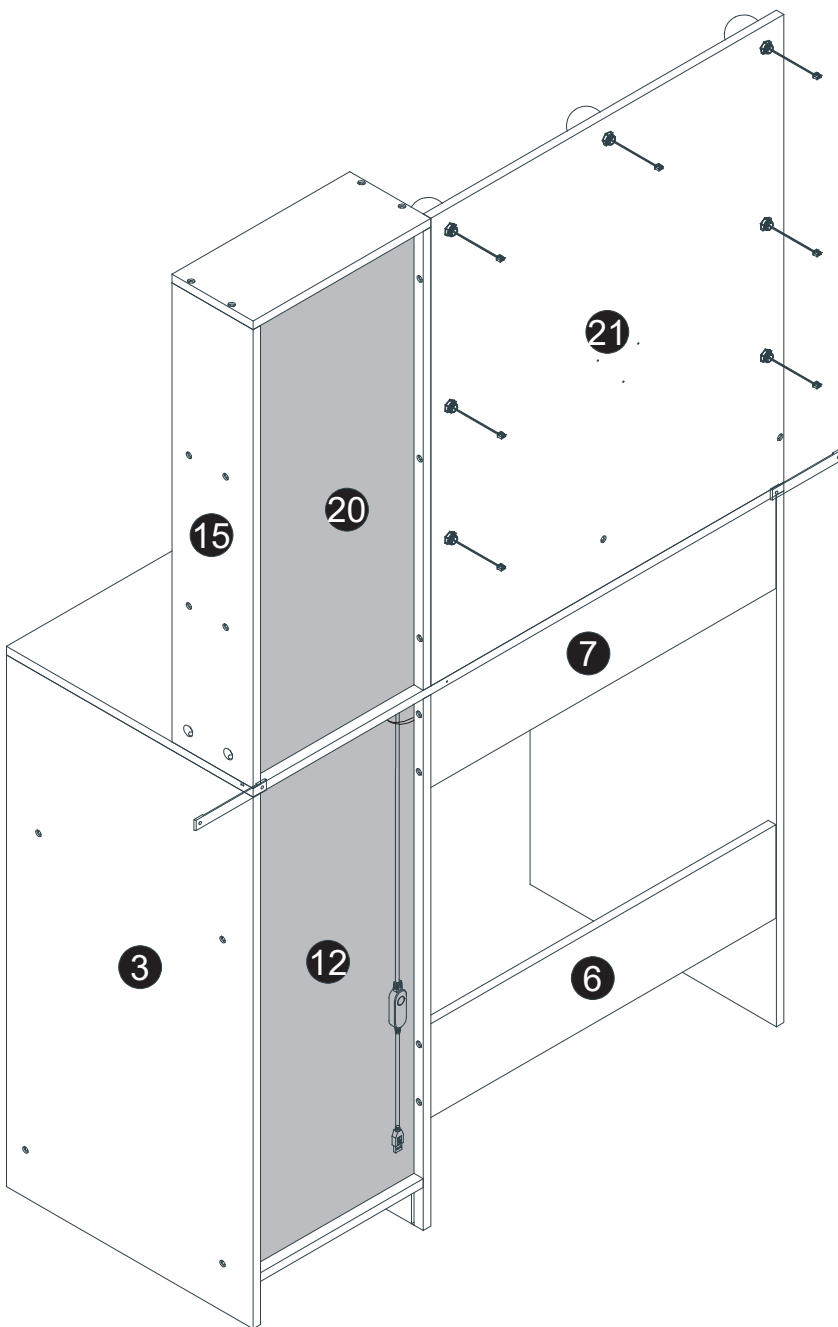
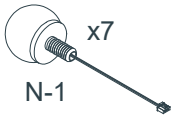
F x8

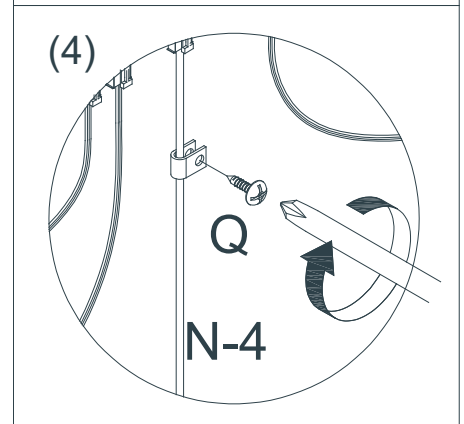
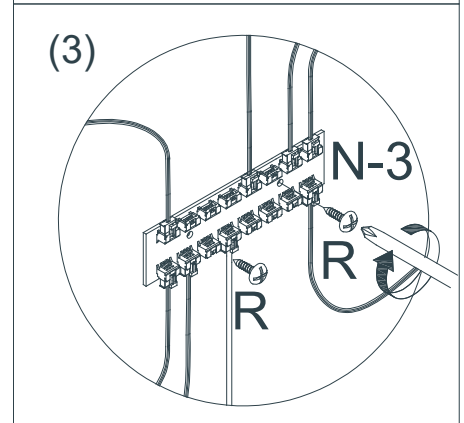
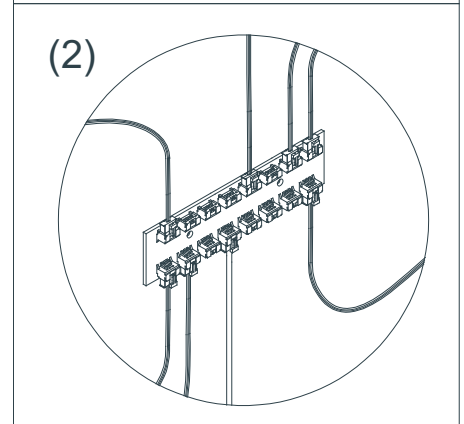
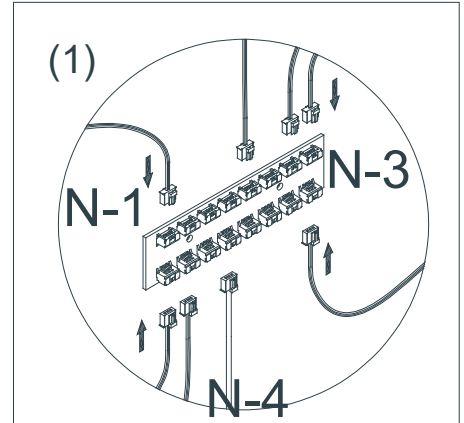
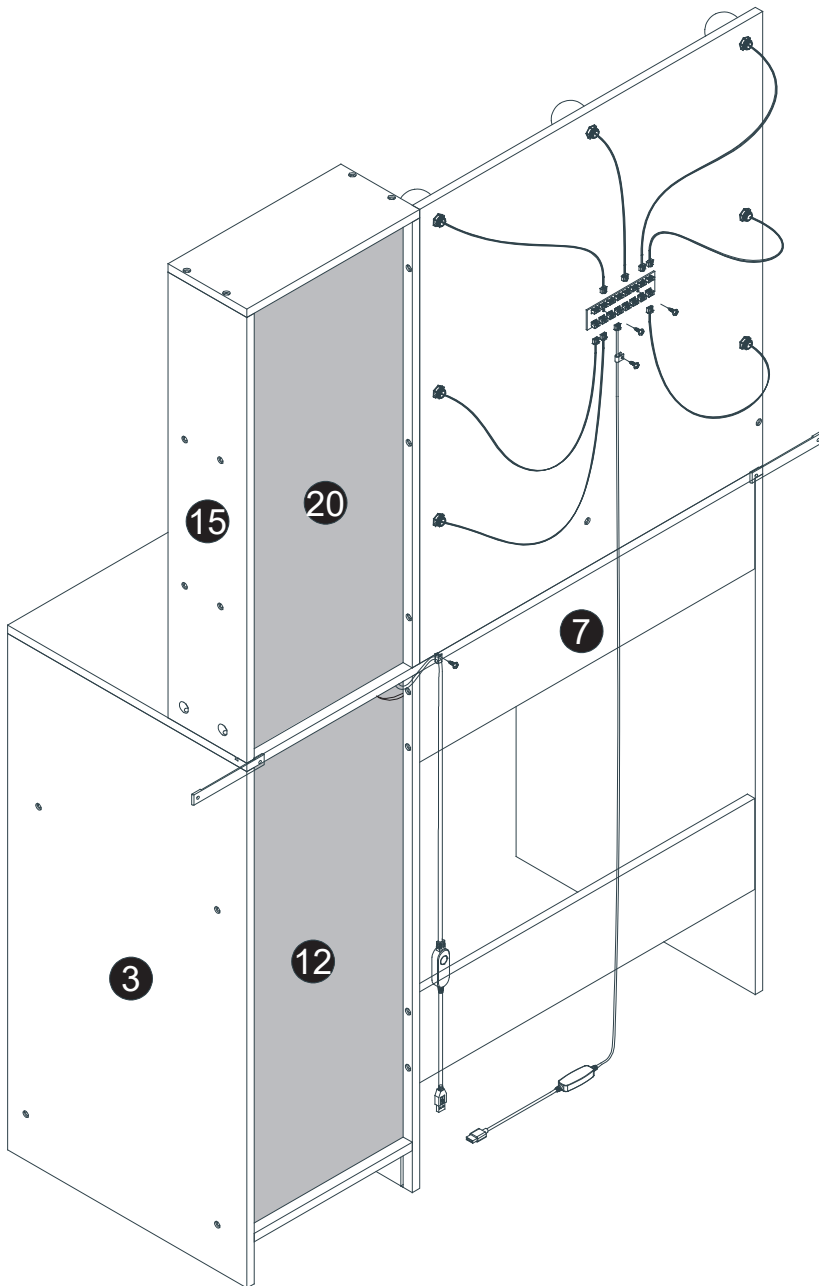
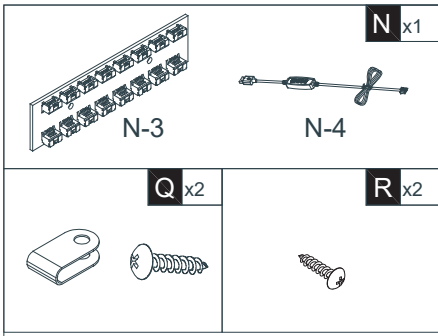


J x2



N x1



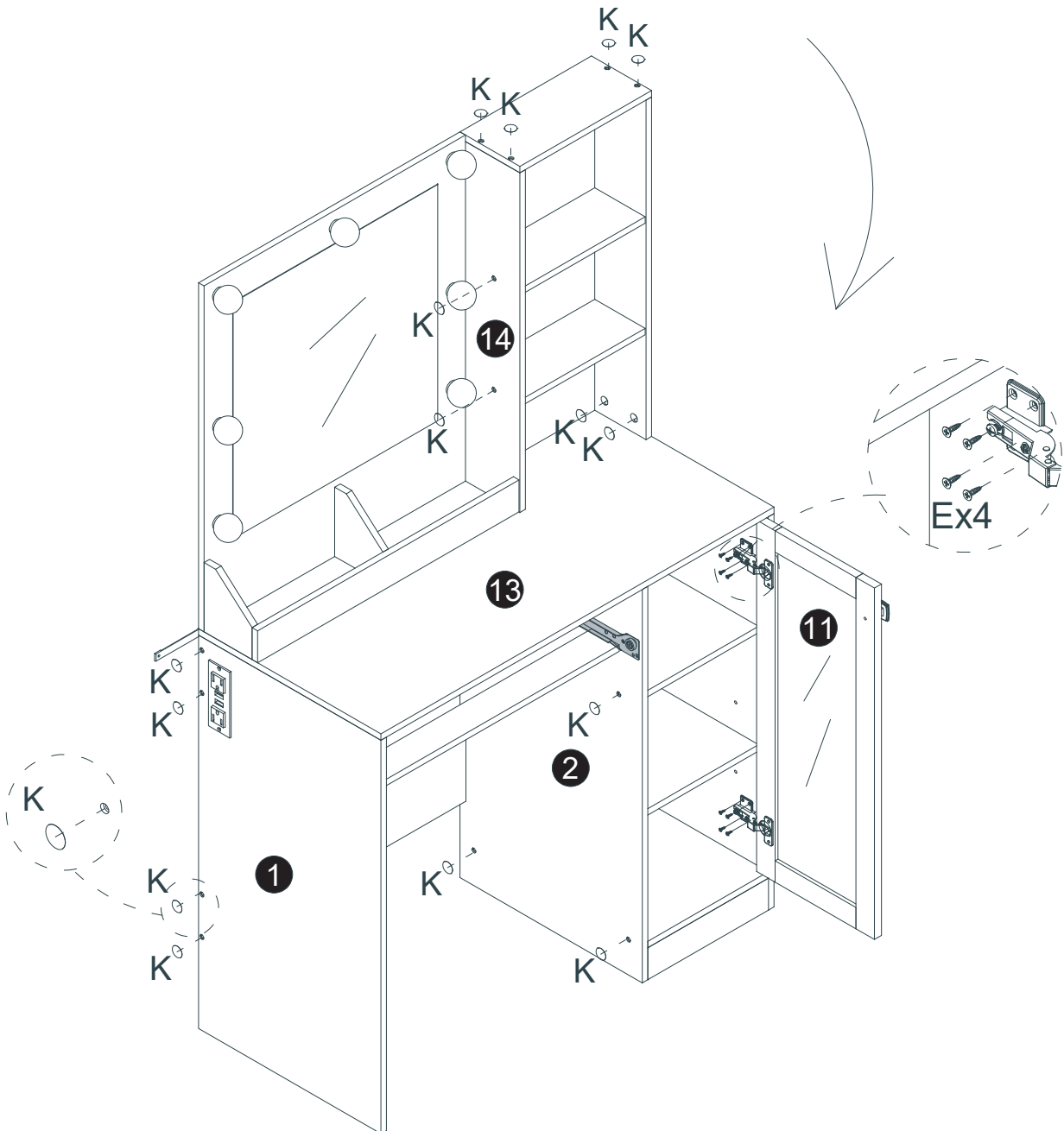
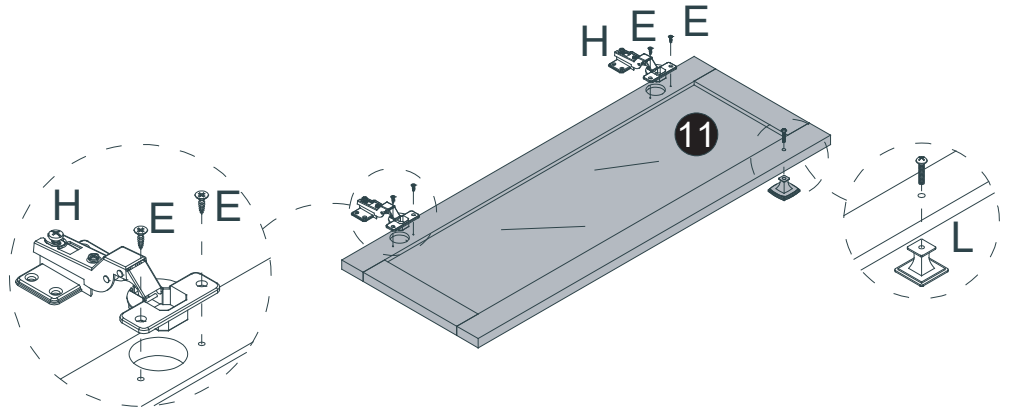
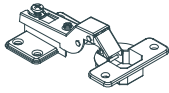


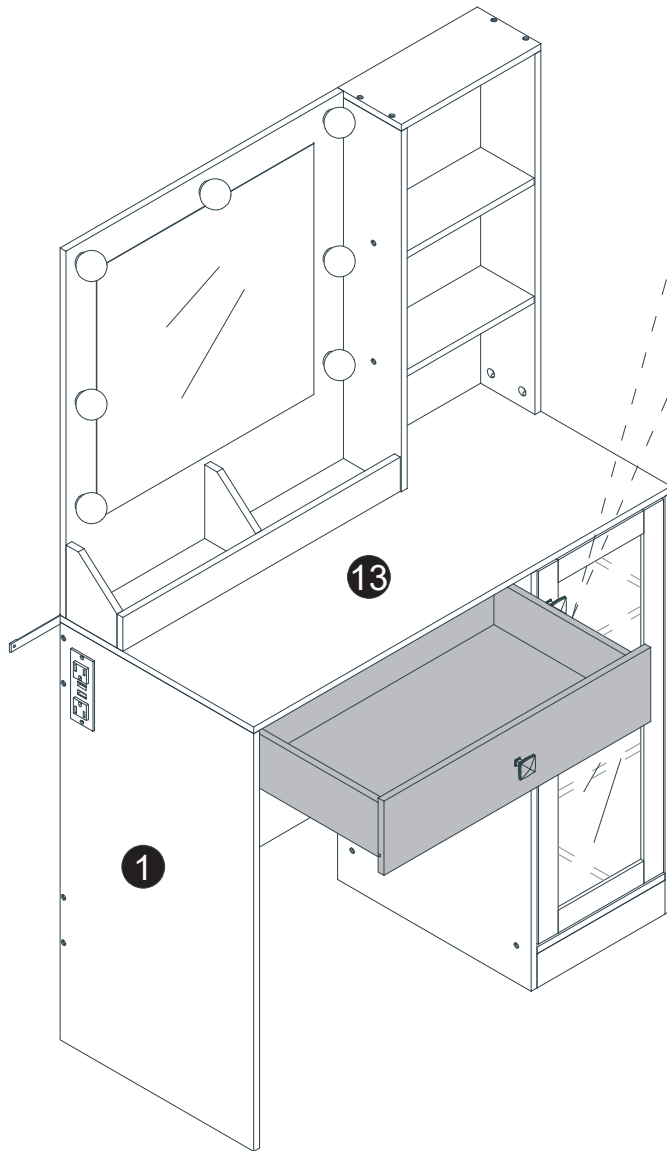
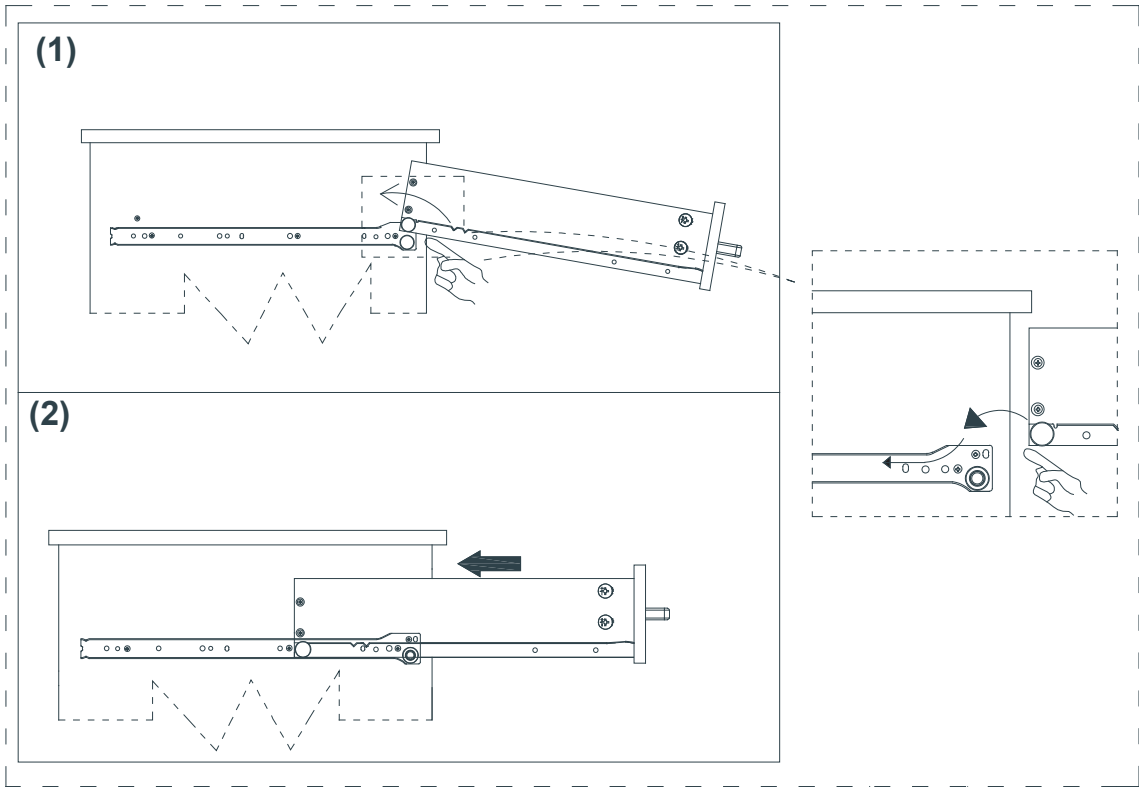
E x12

H x2

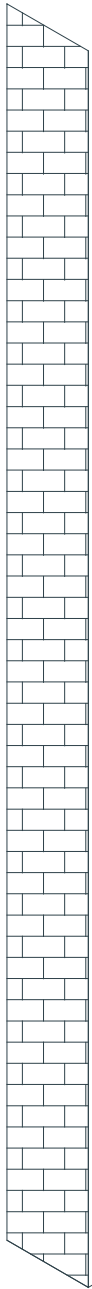
L x1

K x28



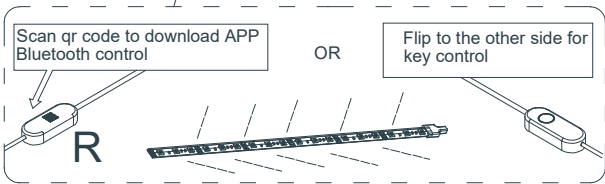
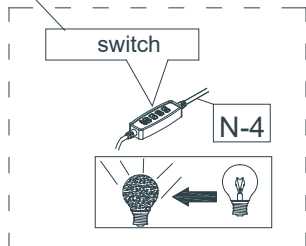
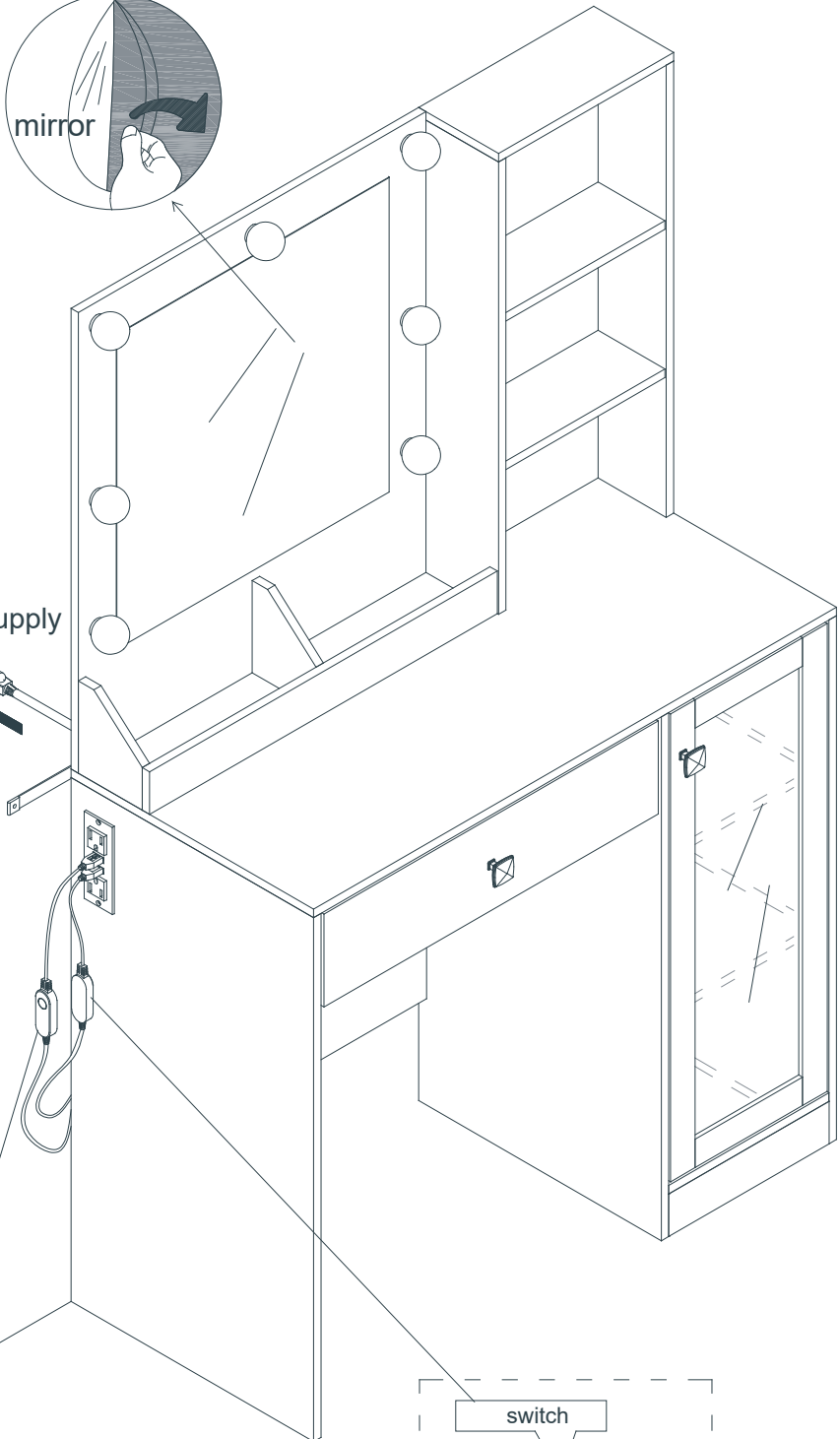


Please tear off the film on the outside of the mirror.



WALL

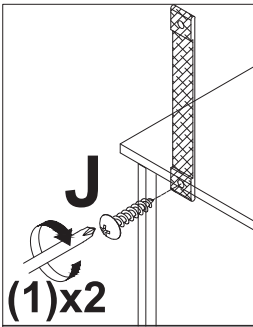
Power Supply



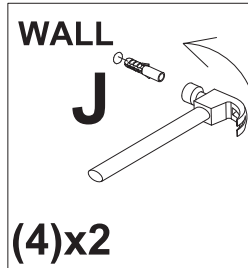
D x2



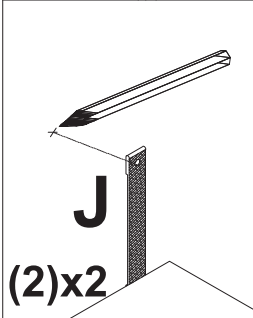
J x2



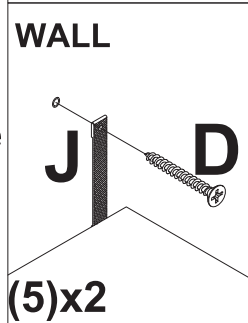
First fix the anti-rewind screw in the reserved hole of the product.



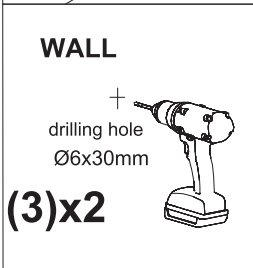
Then, put the expansion bolt into the hole



then, use a ruler to measure the approximate height of the product on the wall, and then mark it with a pen.



Finally, pass the matching screws through the "anti-rewind" and tighten them to fix them on the wall.



Then use a tape drill to make holes in the wall that are suitable for the product screws.

