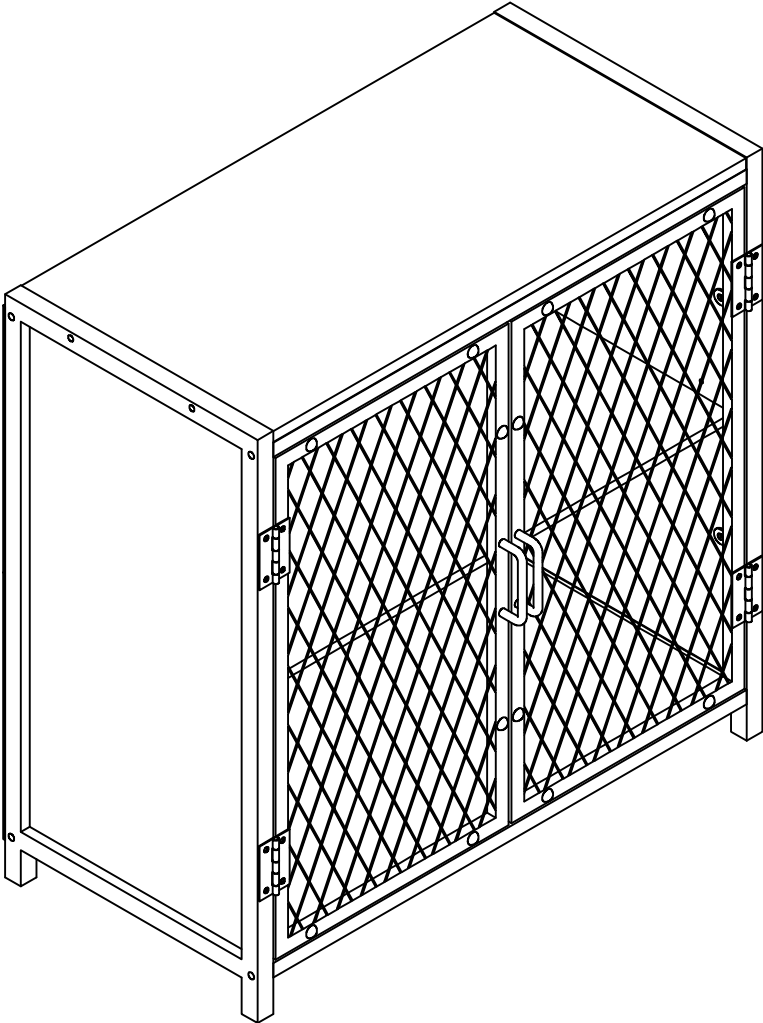


Installation Instruction



Assembling

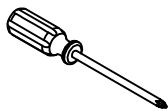
Estimated time for assembly



45 : 00

What you need

- Use the packaging carton as a working surface to prevent product damage during assembly
- Phillips head screwdriver



Weight Limitation



100 | **35**
lbs table top | lbs per

What' included

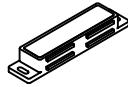
Code	Description	Qty
A	Cam Bolt M4X20MM	4
B	Ron absorption	1
C	The screw M6X12MM	18
D	The screw M6X40MM	8
E	Screw M3.5X10MM	6
F	Metal shake handhandle	2
G	Shelf Holder	4
H	Screw M3X12MM	2
I	Wrench M4X55MM	1
J	Screw M7X50MM	4

The Hardwares

Ⓐ



Ⓑ



Ⓒ



Ⓓ



Ⓔ



Ⓕ



Ⓖ



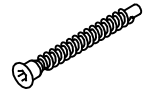
Ⓗ



Ⓘ



Ⓙ



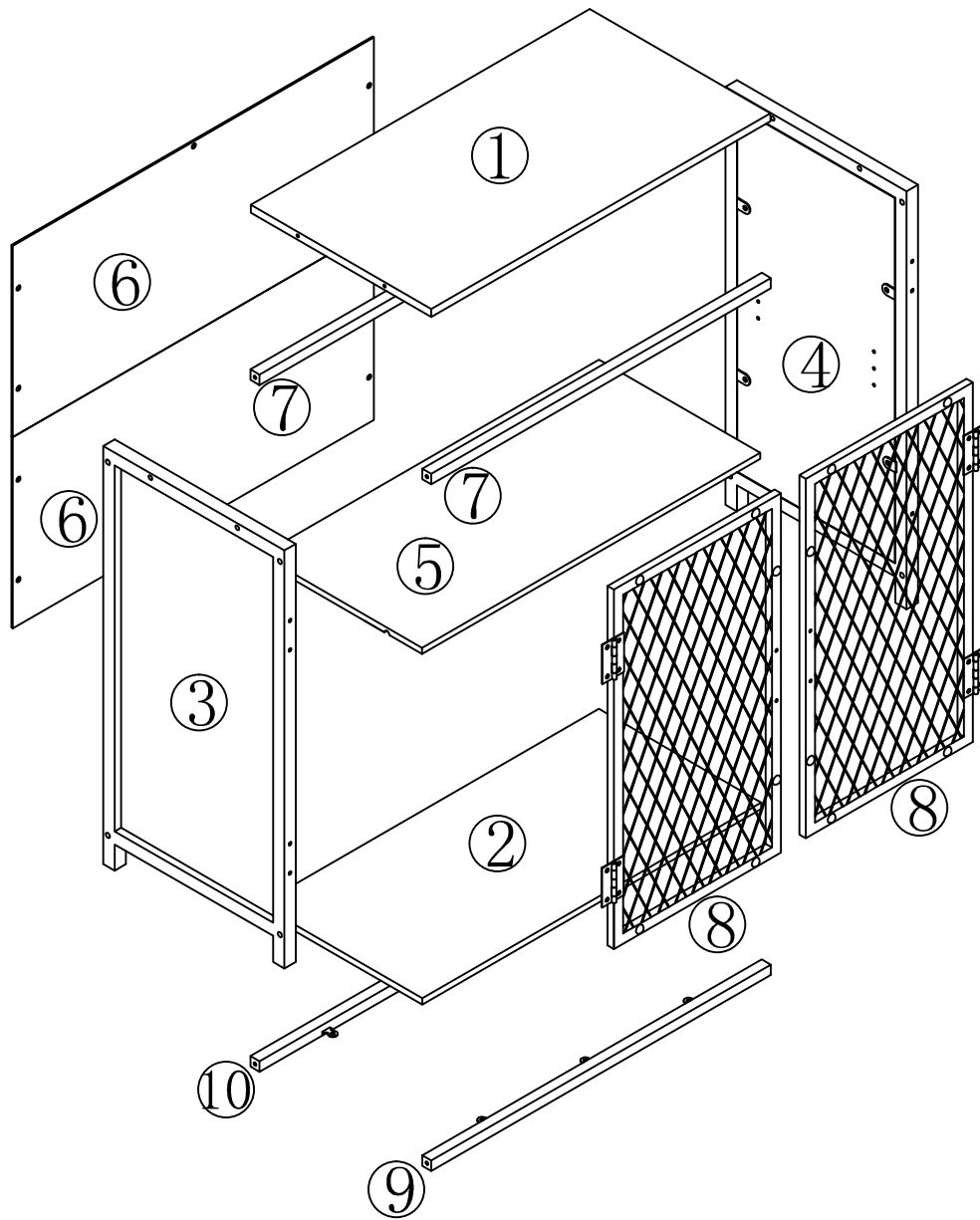
IMPORTANT:

1. Do not tighten bolts / screws completely until all bolts / screws are lined up and inserted into holes.
2. Do not over tighten screws and bolts to avoid stripping
3. Please use hand tools to assemble this product. Do not use power tools.


Included Accessories

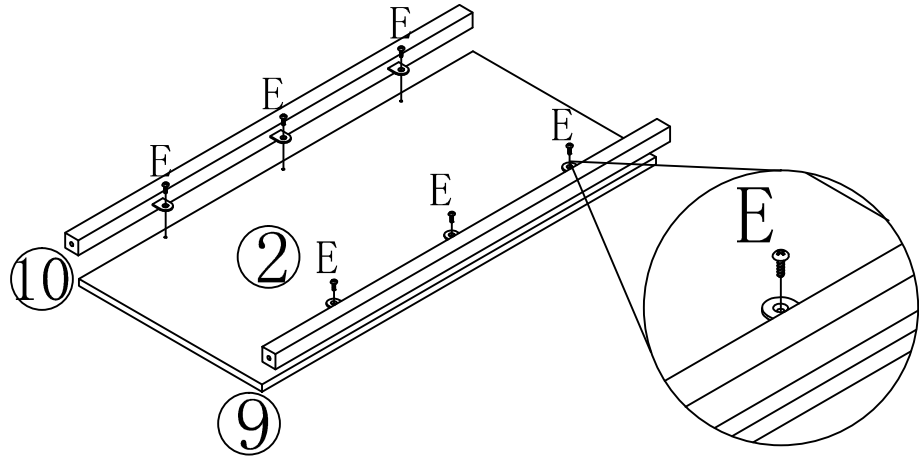
Code	Description	Qty
1	Cabinet Top	1
2	Bottom Panel	1
3	Left Side Panel	1
4	Right Side Panel	1
5	Movable laminated plate	1
6	Backboard	2
7	Upper bar	2
8	Metal Door	2
9	Lower back bar	1
10	Lower front bar	1

The Accessoriess





Step 1

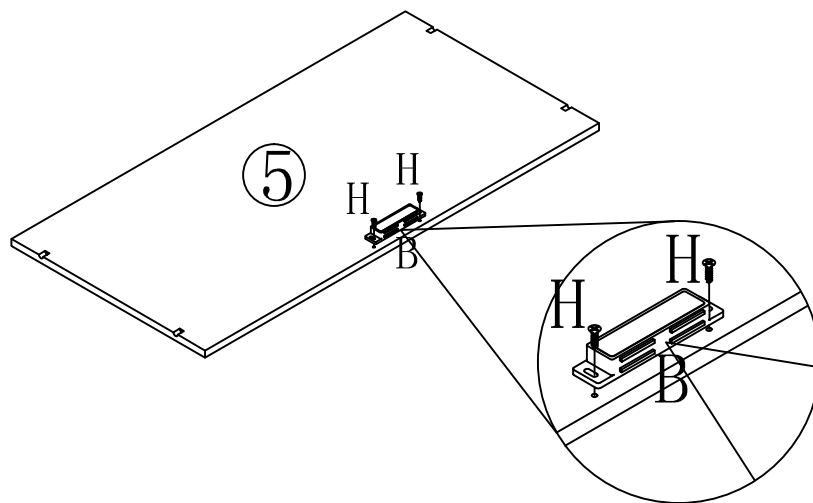
E	x 6
	




Step 2


B	x 1
	

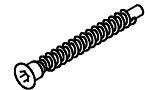
H	x 2
	

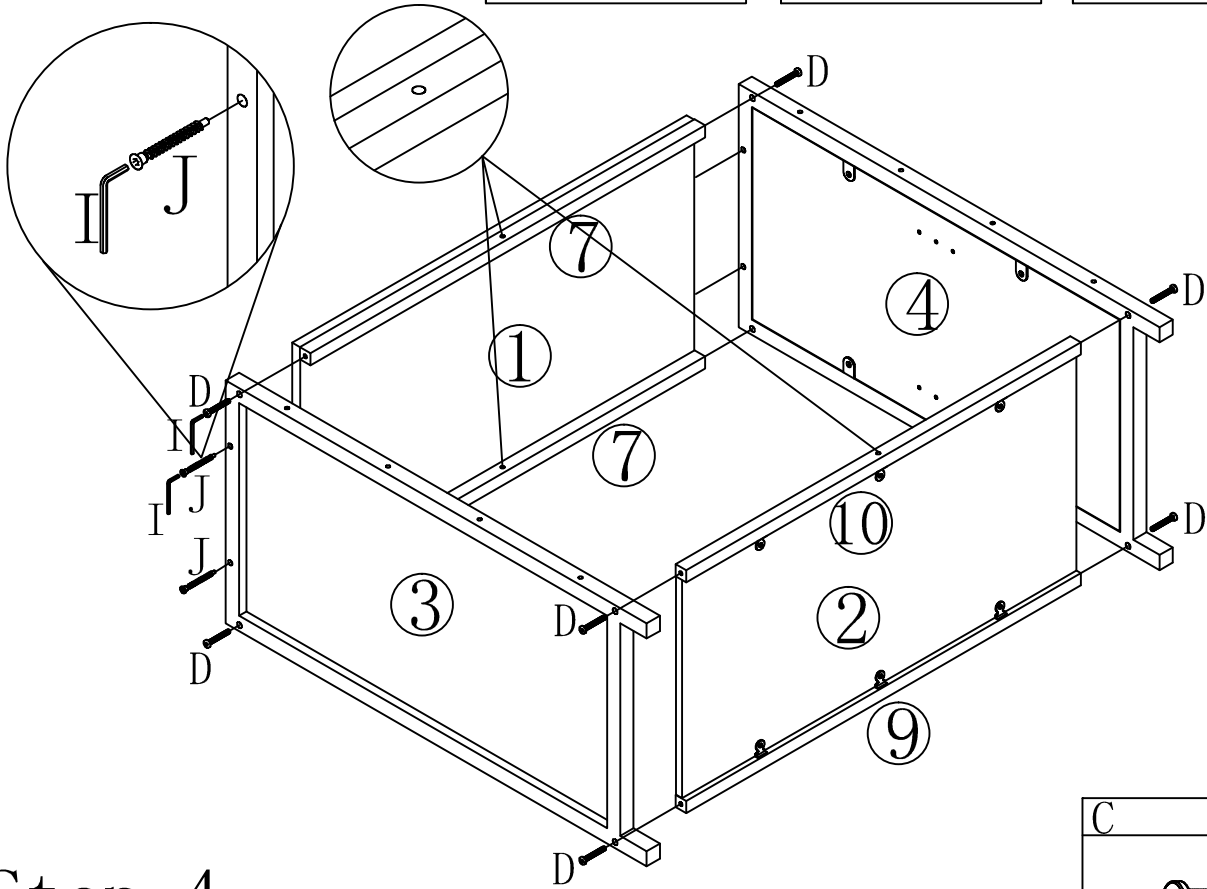


Step 3


D	x 8
	


I	x 1
	

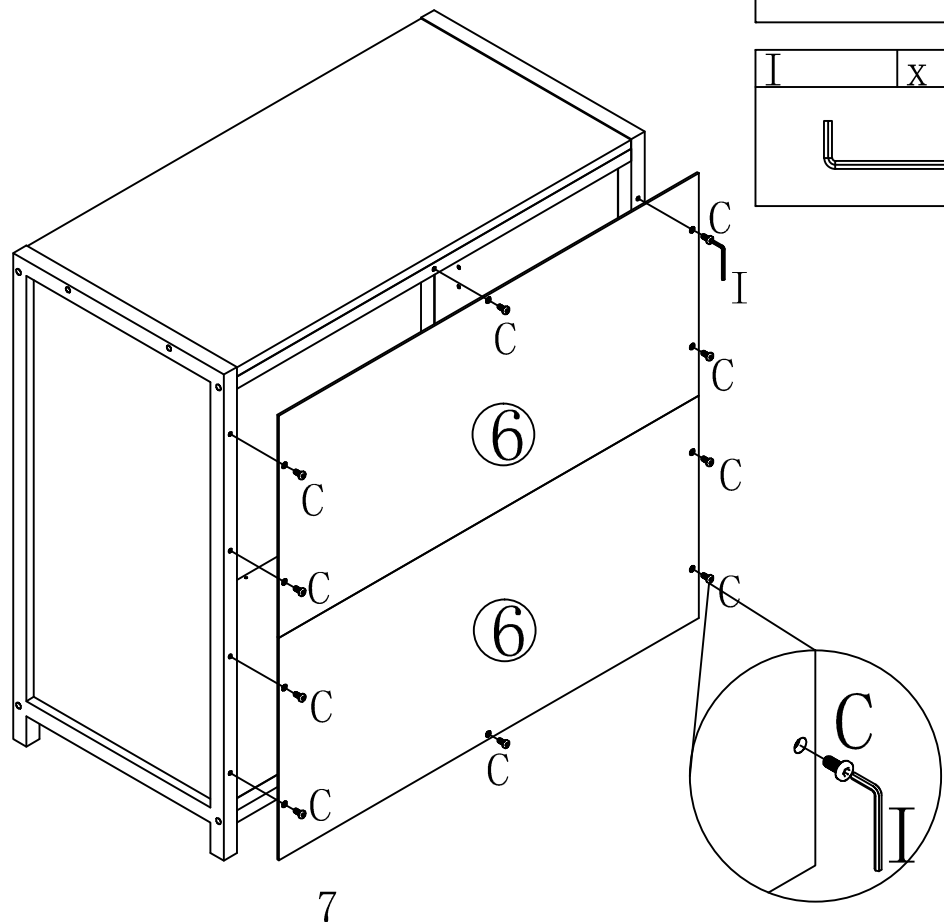
J	x 4
	




Step 4

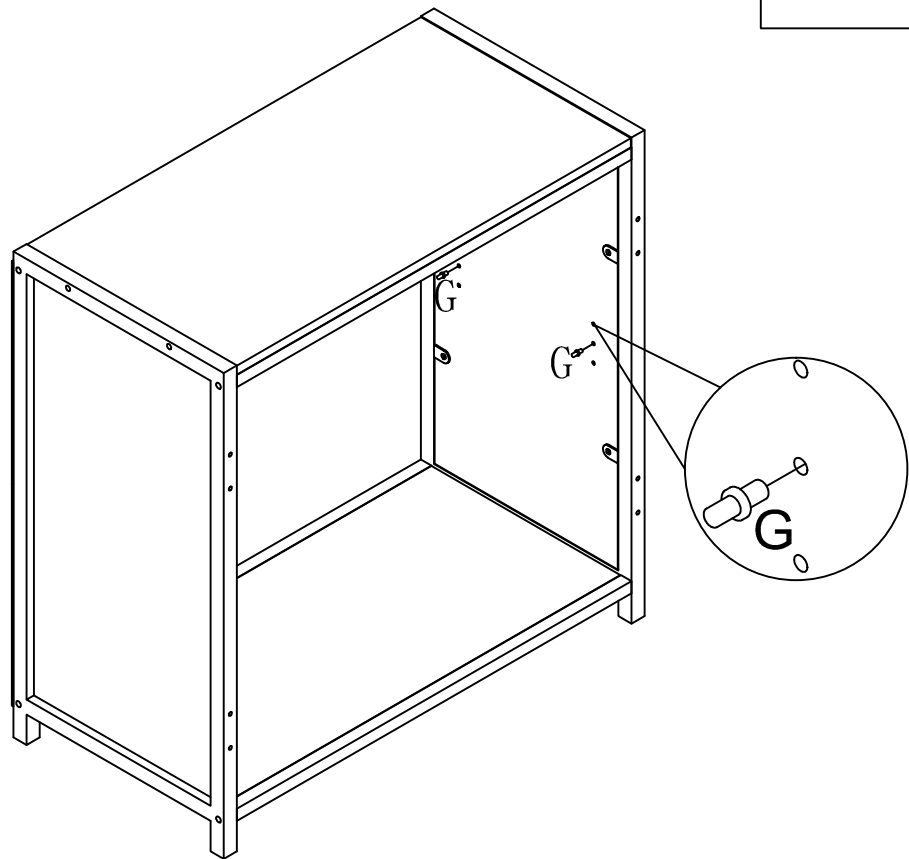
C	x 10
	

I	x 1
	

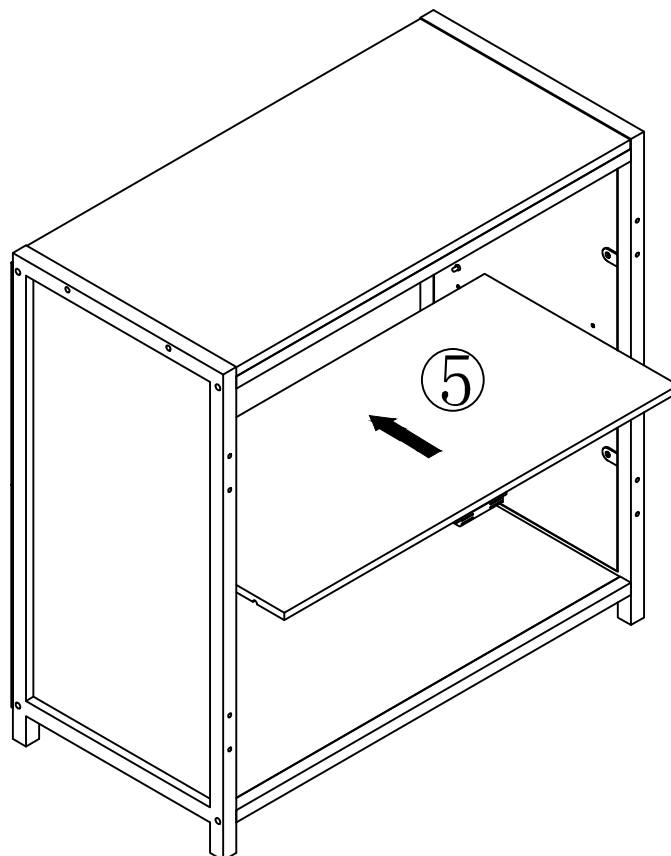


Step 5

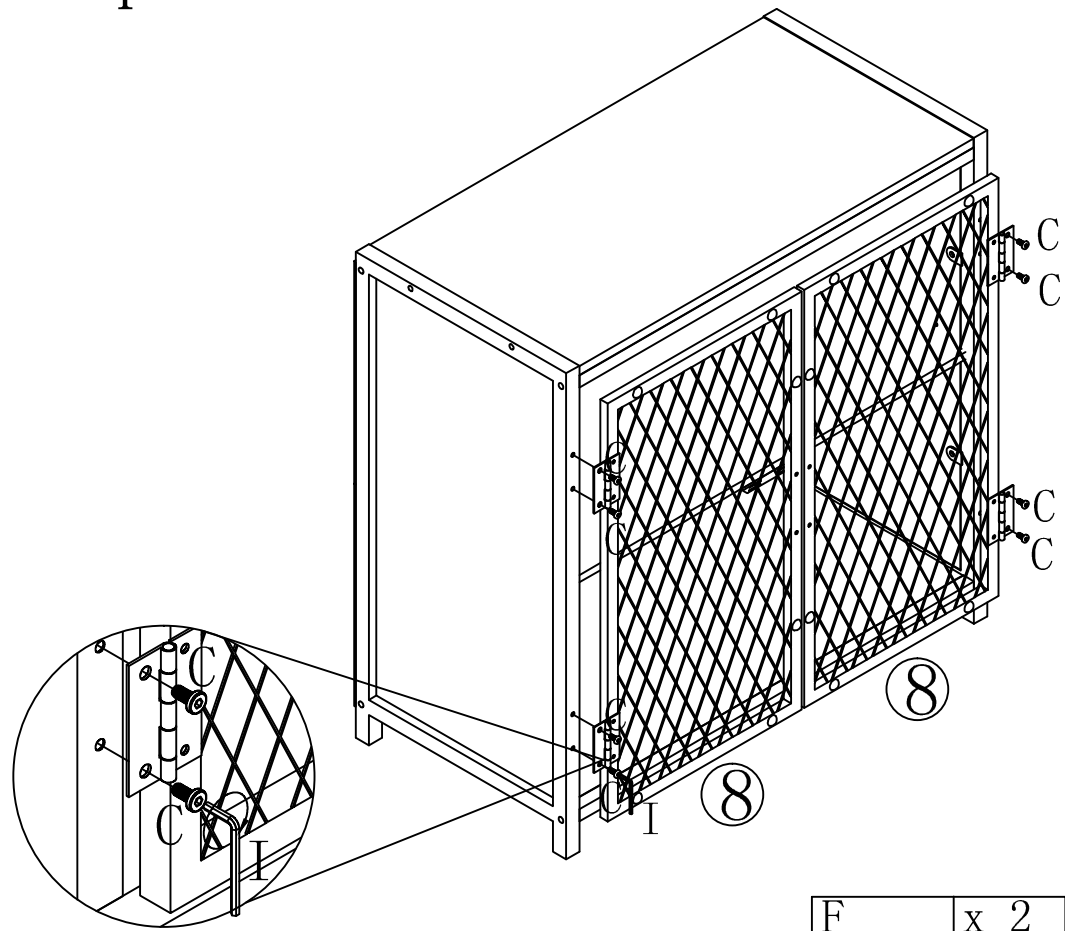
G	x 4
	





Step 6



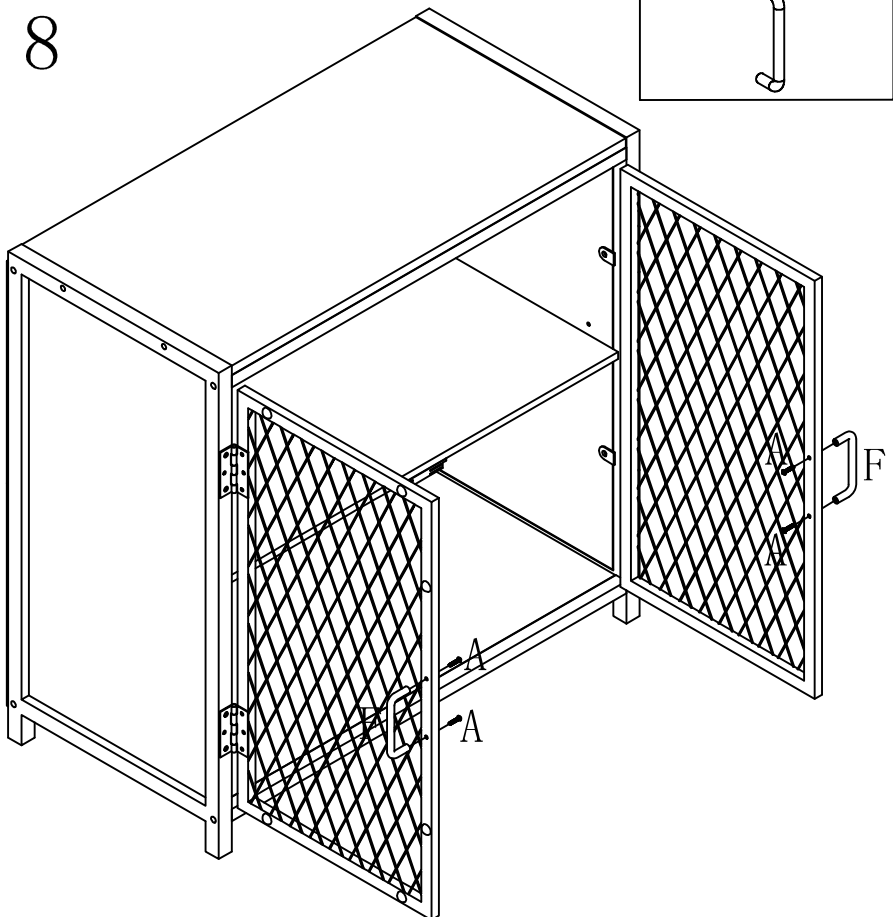
Step 7

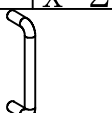


C	x 8
	

I	x 1
	

Step 8



F	x 2
	

A	x 4
