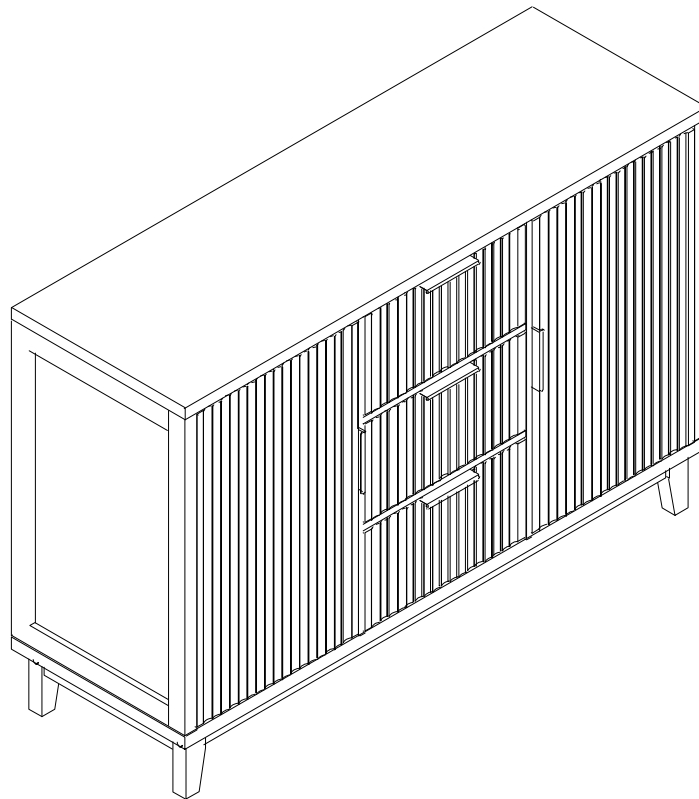


---

# C7C002

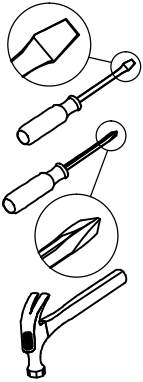


As this item contains many parts, please read the installation instruction carefully before installation . Please use tools properly and carefully. If you have any questions about the product and installation, please contact us.

**[hosoteservice@gmail.com](mailto:hosoteservice@gmail.com)**

Our professional after-sales team will serve you online all day.

# Before You Start



- ✓ Read through each step carefully and follow the proper order
- ✓ Separate and count all your parts and hardware
- ✓ Give yourself enough room for the assembly process
- ✓ Have the following tools: Flat Head Screwdriver, #2 Phillips Head Screwdriver and Hammer
- ✓ Caution: If using a power drill or power screwdriver for screwing, please be aware of to slow down and stop when screw is tight. Failure to do so may result in stripping the screw. (Assembly speed can be increased by using electric screwdriver)

# Helpful Hints

## PEOPLE NEEDED FOR ASSEMBLY: 1-2

- Open your item in the area you plan to keep it to avoid excessive heavy lifting.



- Identify, sort and count the parts before attempting assembly.

- Compression dowels are lightly tapped in with a hammer.



- Slides are labeled with an **R** (right) and **L** (left) for proper placement.



- Make sure to always face the point on the top of the Cam Lock towards the outer edge.

- If there is a back panel in the package, please install it to make sure your unit is complete and sturdy.



- Please fix all the screws provided for the back panel which can enhance product stability. If it is difficult to fix it when tightening, it can be fixed with the help of a hammer and then tightened.



- Do NOT use harsh chemicals or abrasive cleaners on this item.

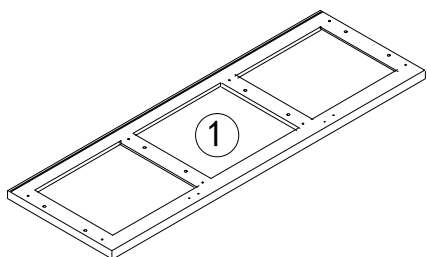


- Never push, pull, or drag your furniture.

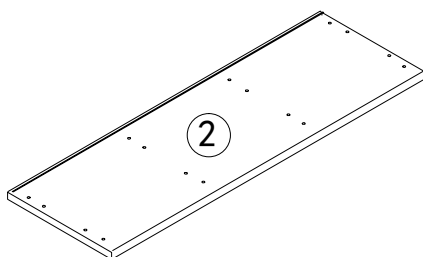
---

# Board Identification

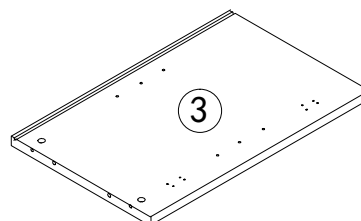
Not actual size



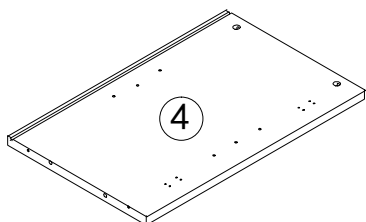
TOP PANEL  
Qty:1



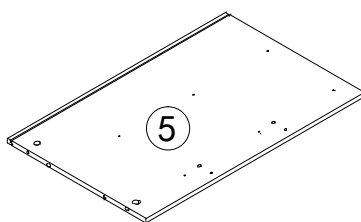
BOTTOM PANEL  
Qty:1



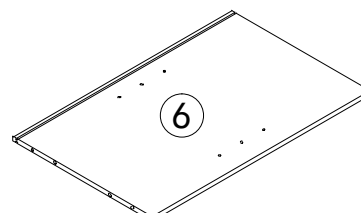
LEFT SIDE PANEL  
Qty:1



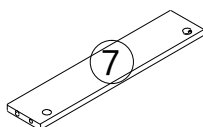
RIGHT SIDE PANEL  
Qty:1



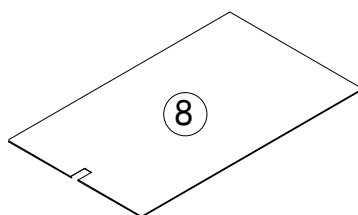
DIVIDER PANEL  
Qty:1



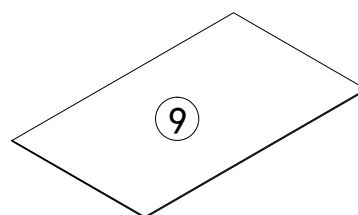
DIVIDER PANEL  
Qty:1



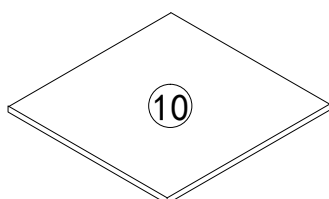
FIXED PANEL  
Qty: 2



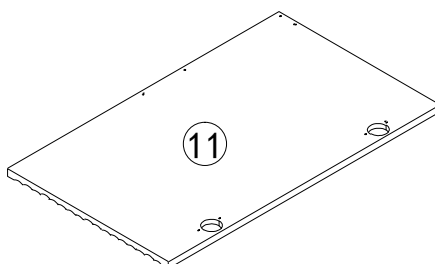
BACK PANEL  
Qty: 2



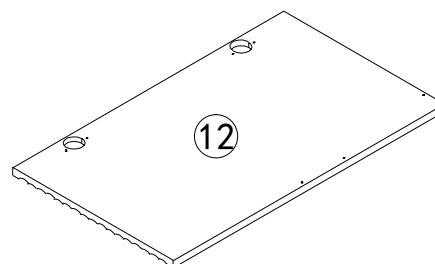
BACK PANEL  
Qty: 1



SHELF PANEL  
Qty: 2



LEFT DOOR  
Qty: 1

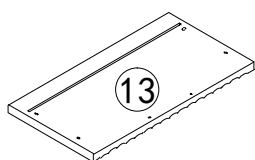


RIGHT DOOR  
Qty: 1

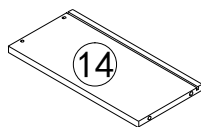
---

# Board Identification

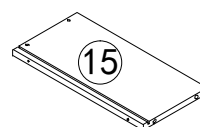
Not actual size



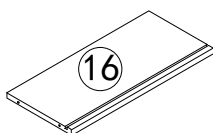
DRAWER DOOR PANEL  
Qty: 3



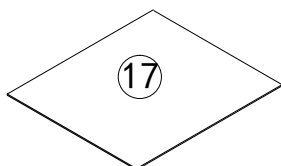
DRAWER LEFT PANEL  
Qty: 3



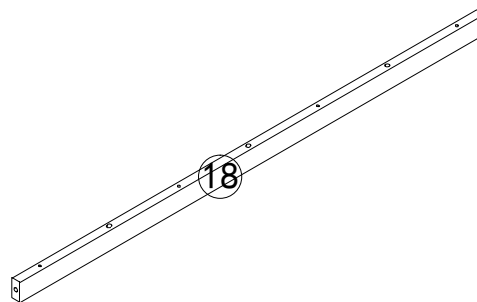
DRAWER RIGHT PANEL  
Qty: 3



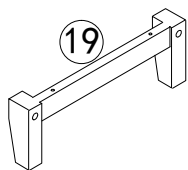
DRAWER BACK PANEL  
Qty: 3



DRAWER BOTTOM PANEL  
Qty: 3

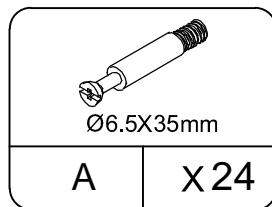


LEG CONNECTING BAR  
Qty: 2

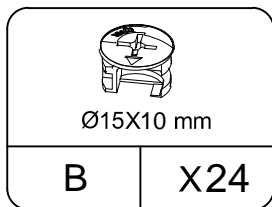


LEG  
Qty: 2

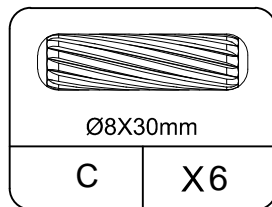
# Part List



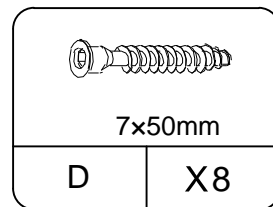
CAM BOLT  
spare: 3



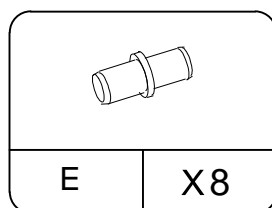
CAM LOCK  
spare: 3



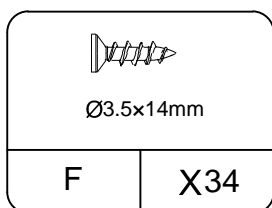
WOOD DOWEL  
spare: 1



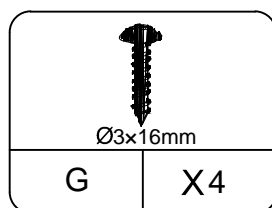
BOLT  
spare:1



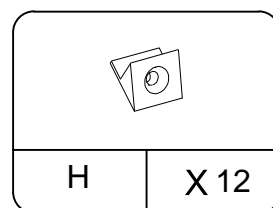
PANEL SUPPORTER  
spare: 1



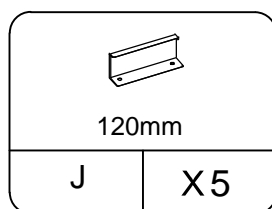
SCREW  
spare: 2



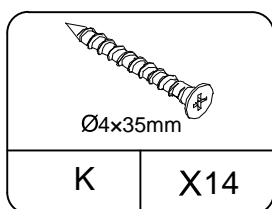
SCREW  
spare:1



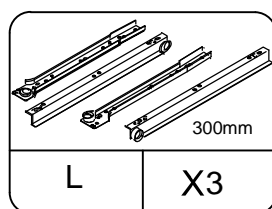
PLASTIC BUCKLE  
spare: 1



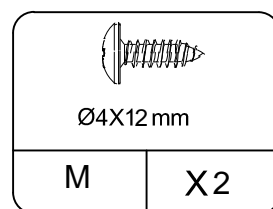
HANDLE



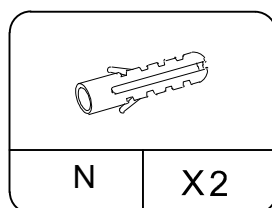
SCREW  
spare:1



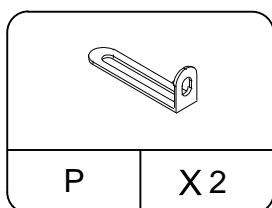
sliding rail



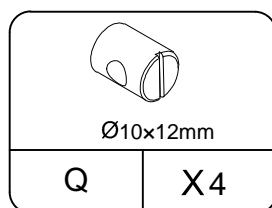
SCREW



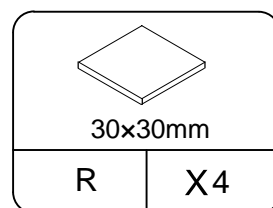
WALL ANCHOR  
spare: 1



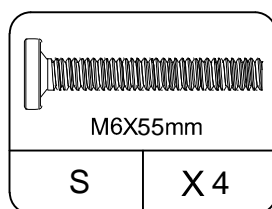
L SHAPED PLATE



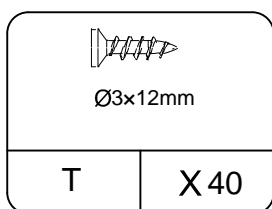
Nut  
spare: 1



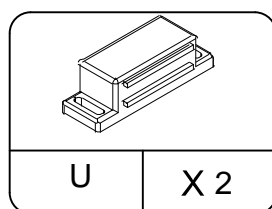
Anti slip pad  
spare: 1



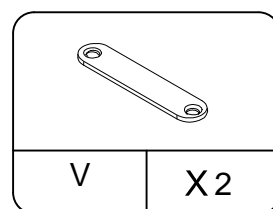
BOLT  
spare: 1



SCREW  
spare: 4

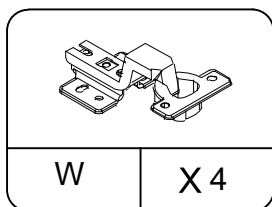


MAGNET

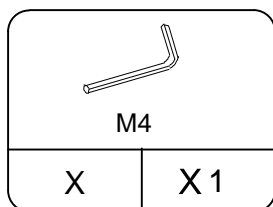


METAL PLATE

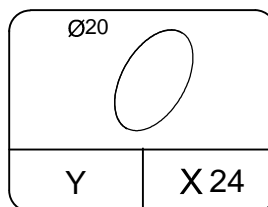
# Part List



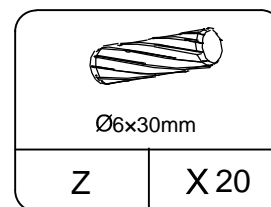
Hinge



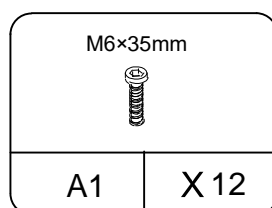
ALLEN KEY



STICKER  
spare: 1



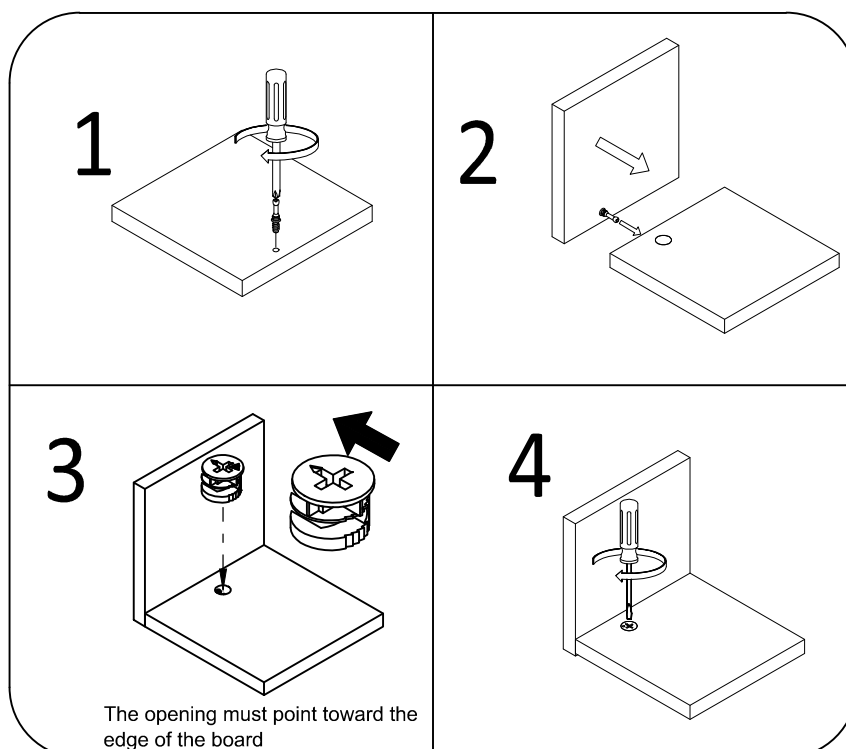
WOOD DOWEL  
spare: 2



BOLT  
spare: 2

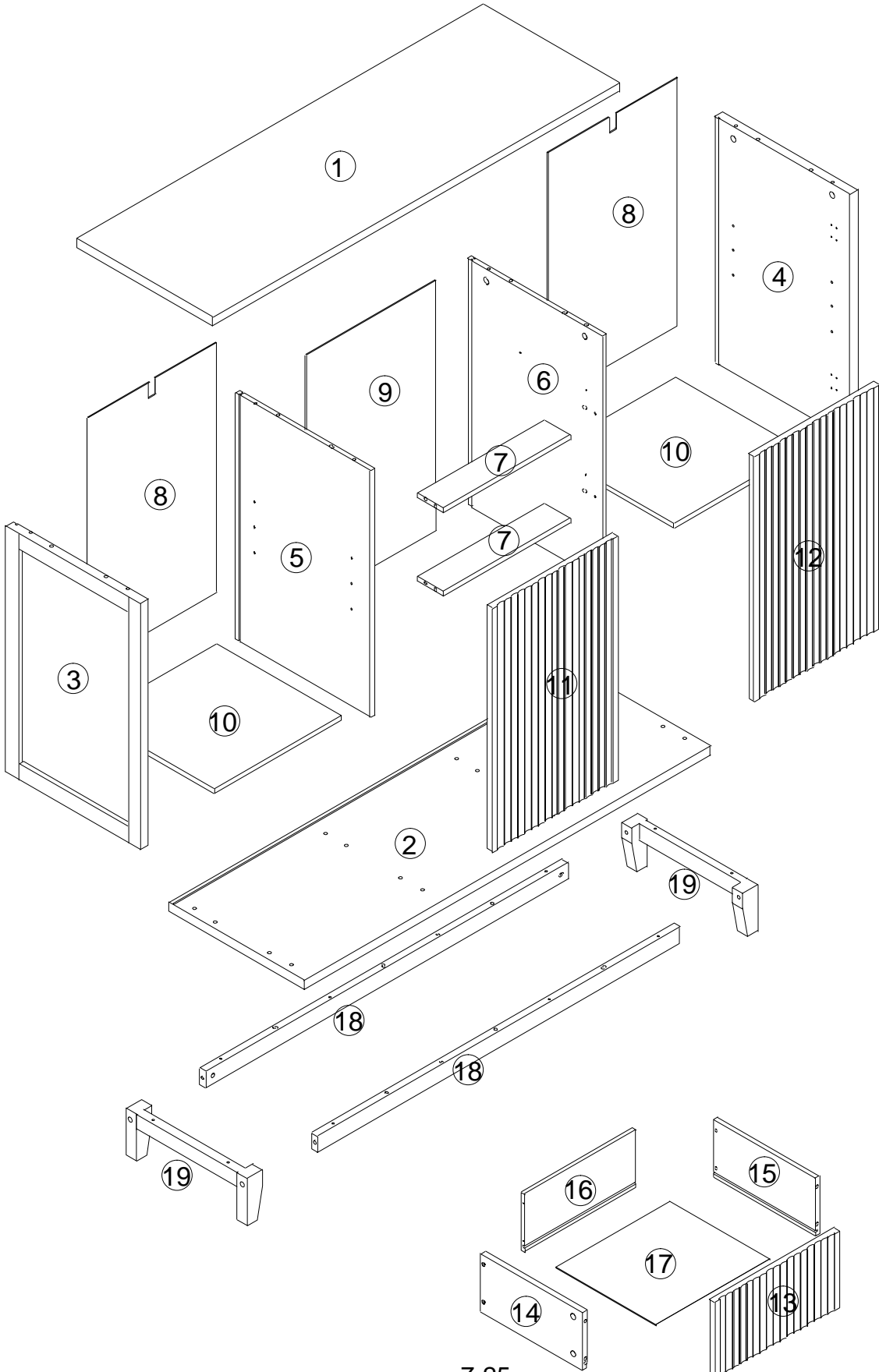
## Cam Lock Fastening System

Insert the cam bolt into the hole first, then insert the cam lock and lock it.



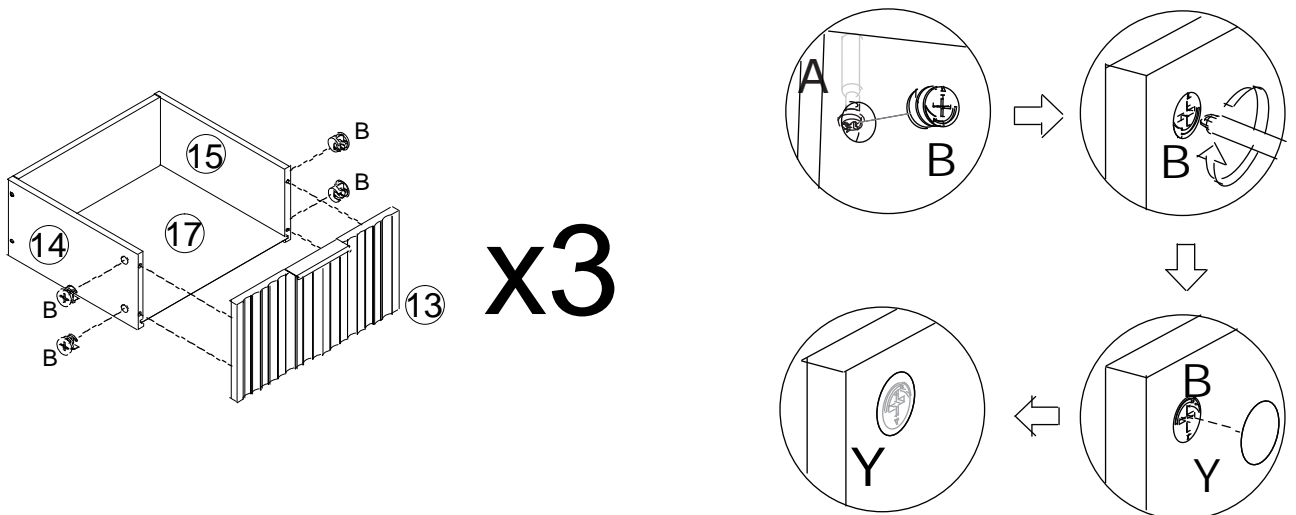
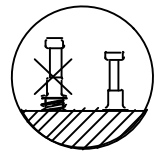
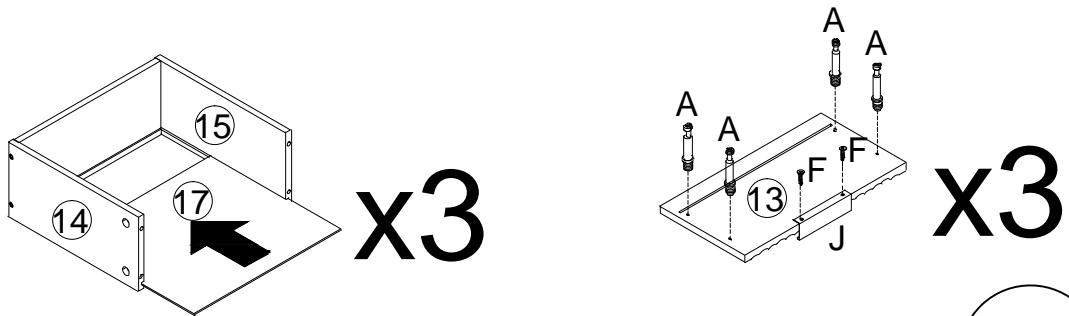
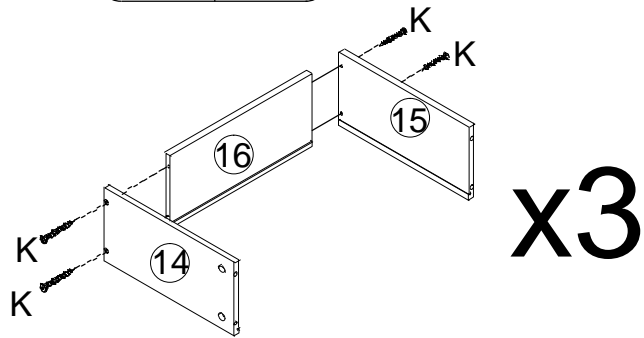
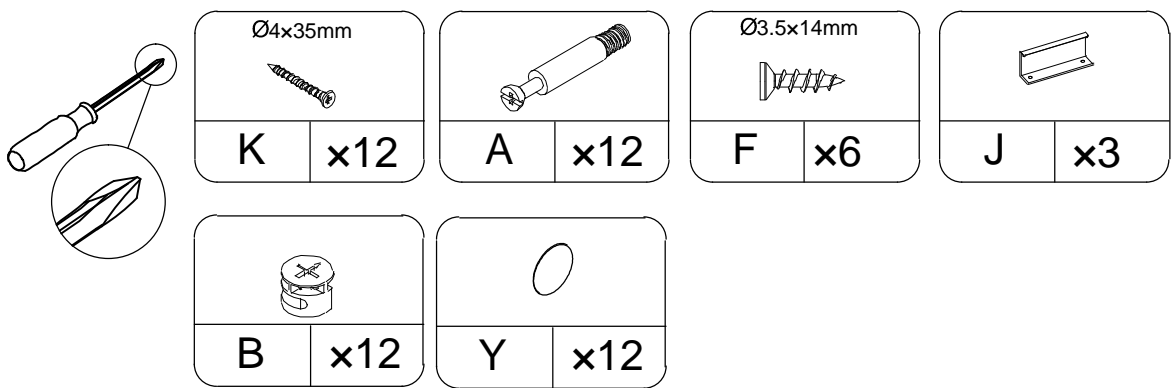
# Board Identification

Not actual size

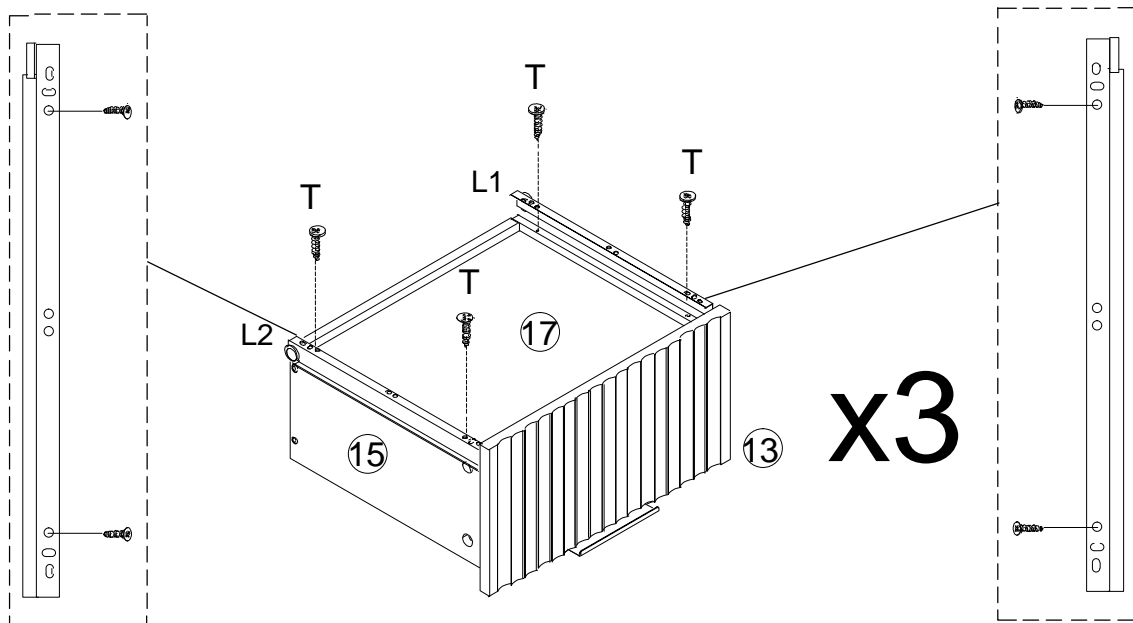
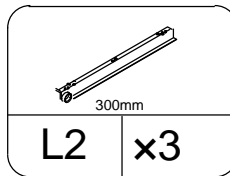
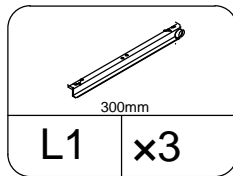
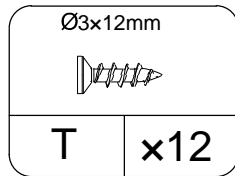
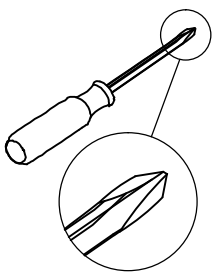


x3

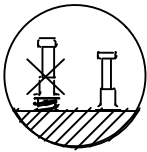
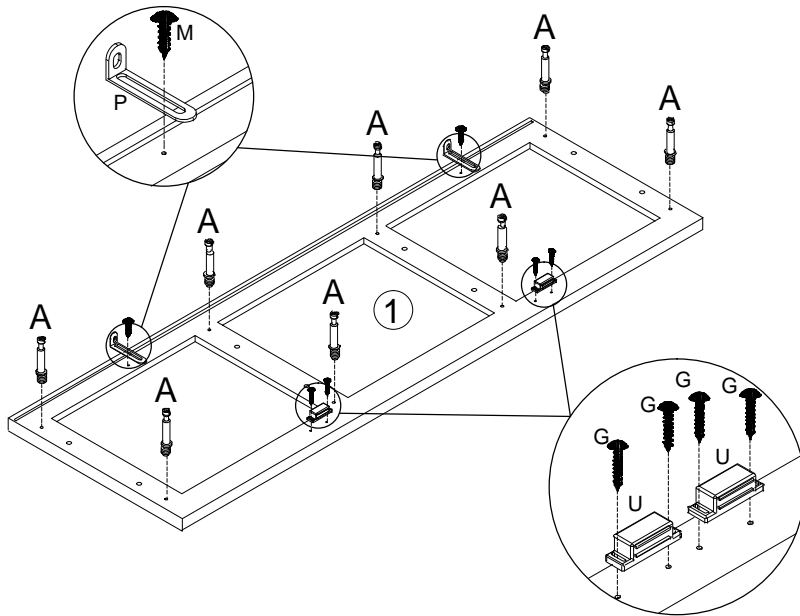
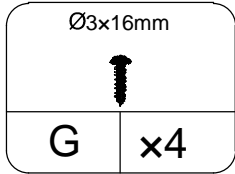
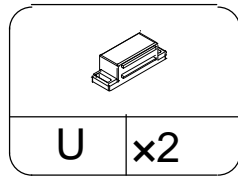
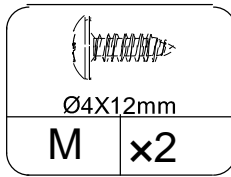
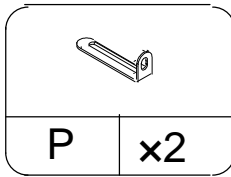
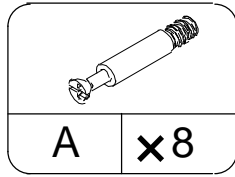
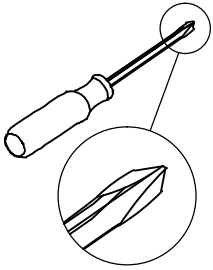
# STEP1



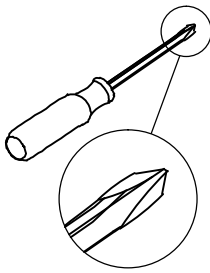
# STEP 2

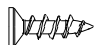


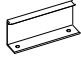
# STEP3

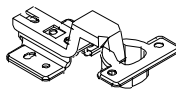


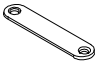
# STEP 4

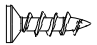


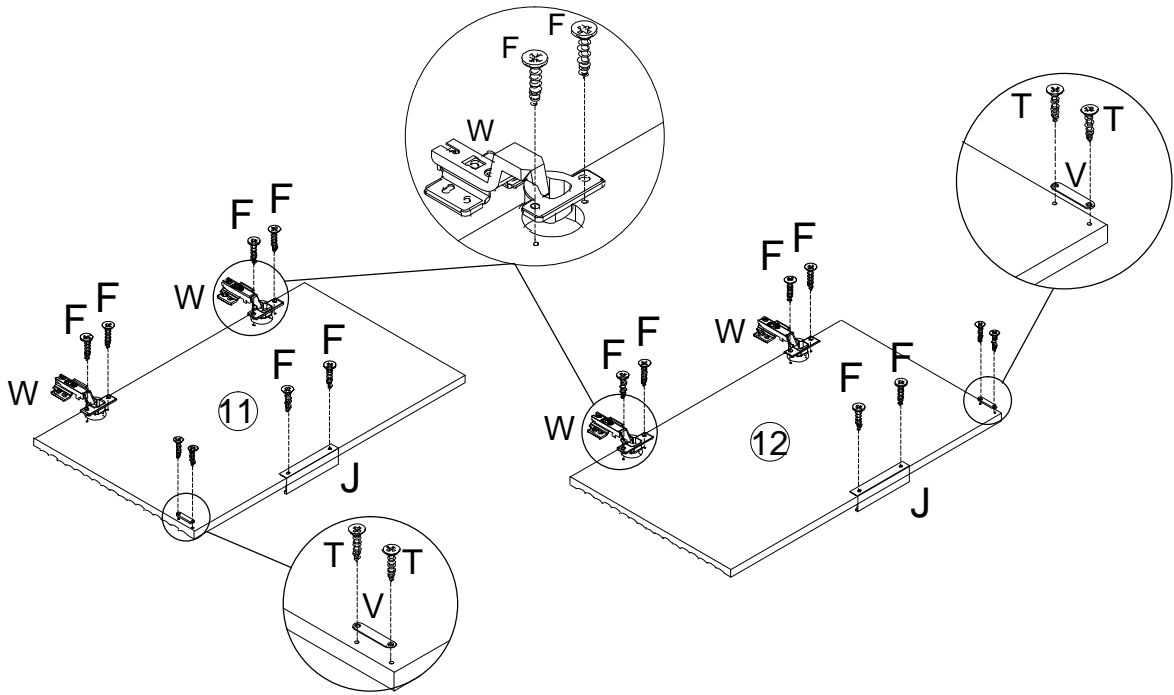
Ø3.5x14mm 	
F	x12

	
J	x2

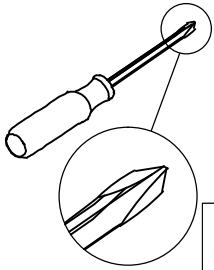
	
W	x4

	
V	x2

Ø3x12mm 	
T	x4



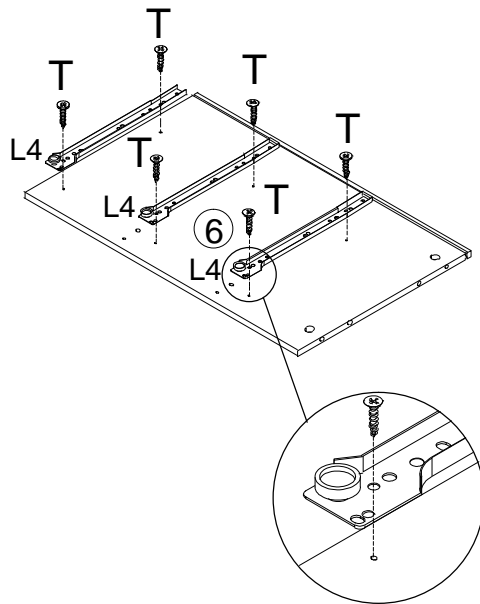
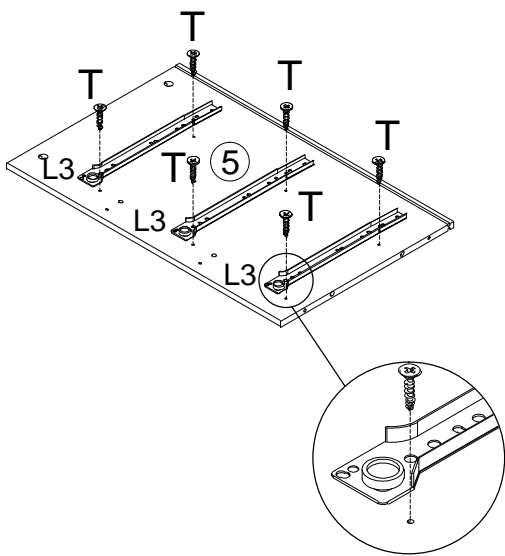
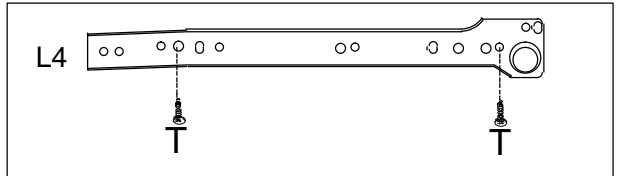
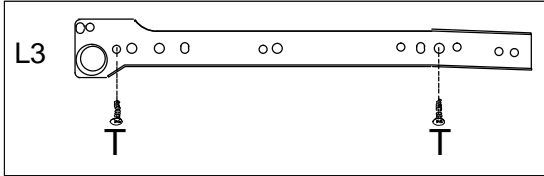
# STEP5



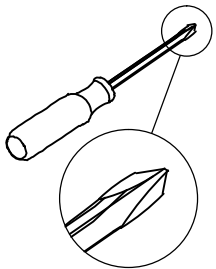
Ø3x12mm	
T	x12

300mm	
L3	x3

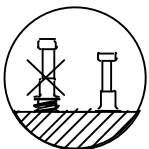
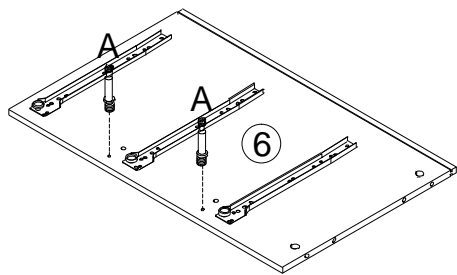
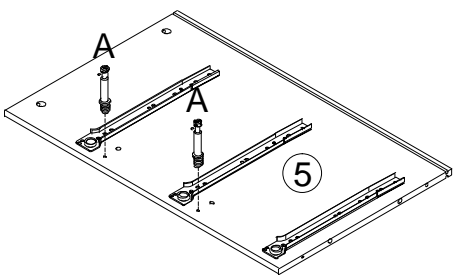
300mm	
L4	x3





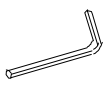
# STEP6

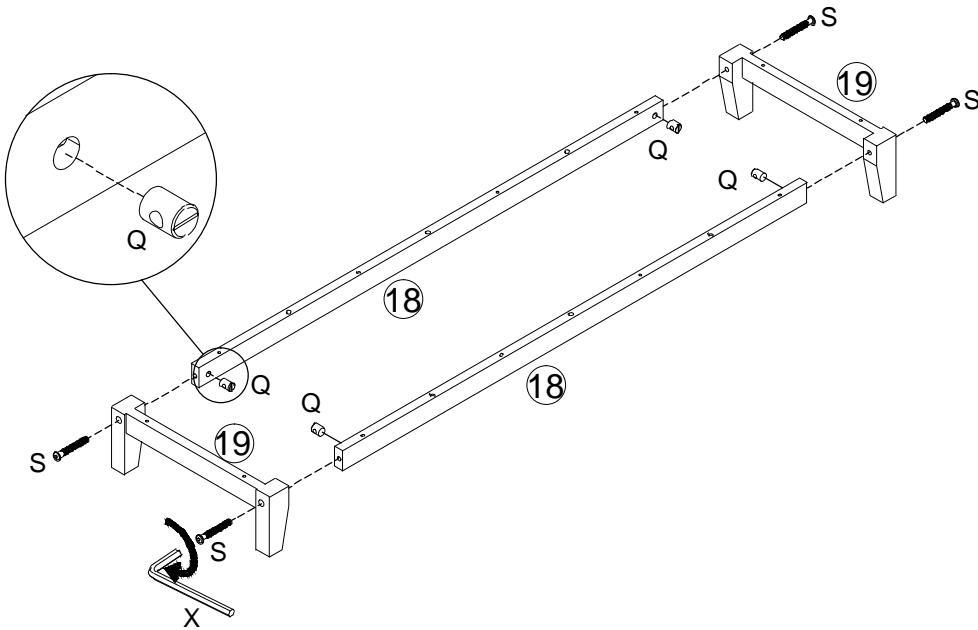


A	x4

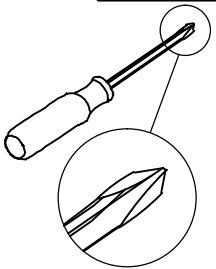





# STEP7

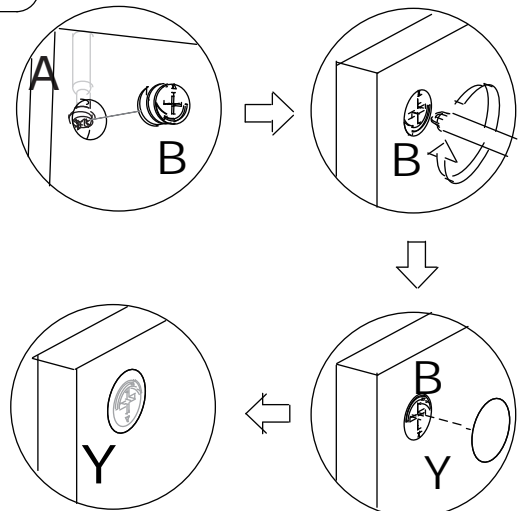
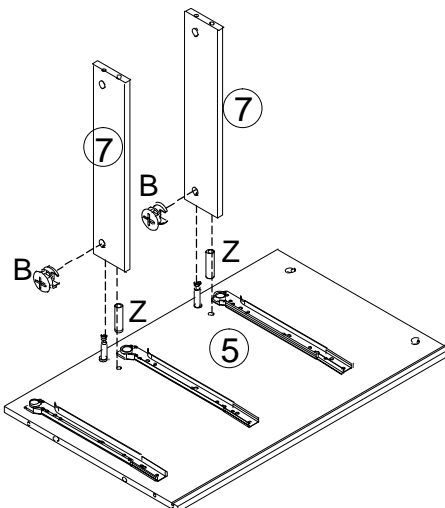
$\varnothing 10 \times 12 \text{ mm}$ 		 $M6 \times 55 \text{ mm}$			
Q	x4	S	x4	X	x1



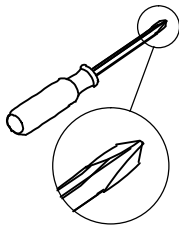
# STEP8






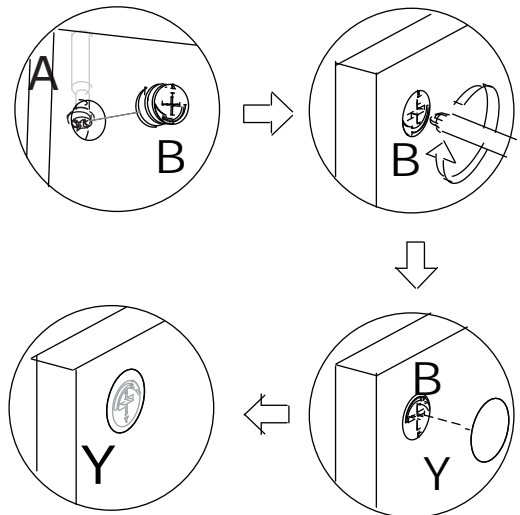
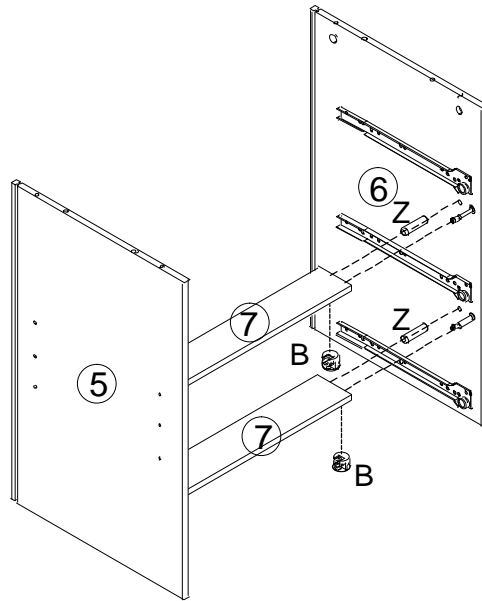
$\varnothing 15 \times 10 \text{ mm}$ 		$\varnothing 6 \times 30 \text{ mm}$ 			
B	x2	Z	x2	Y	x2



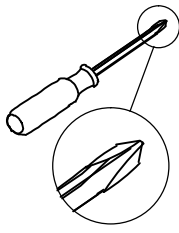
# STEP 9






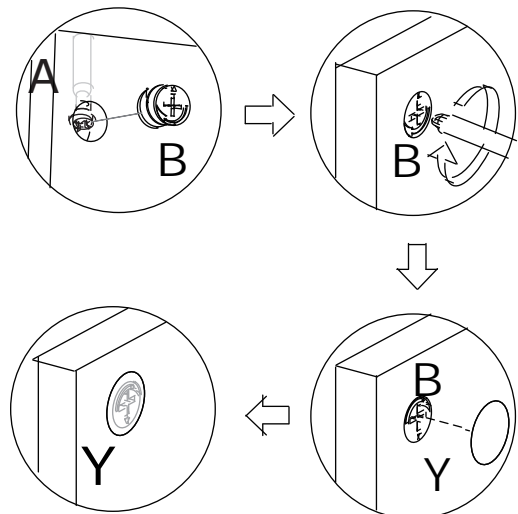
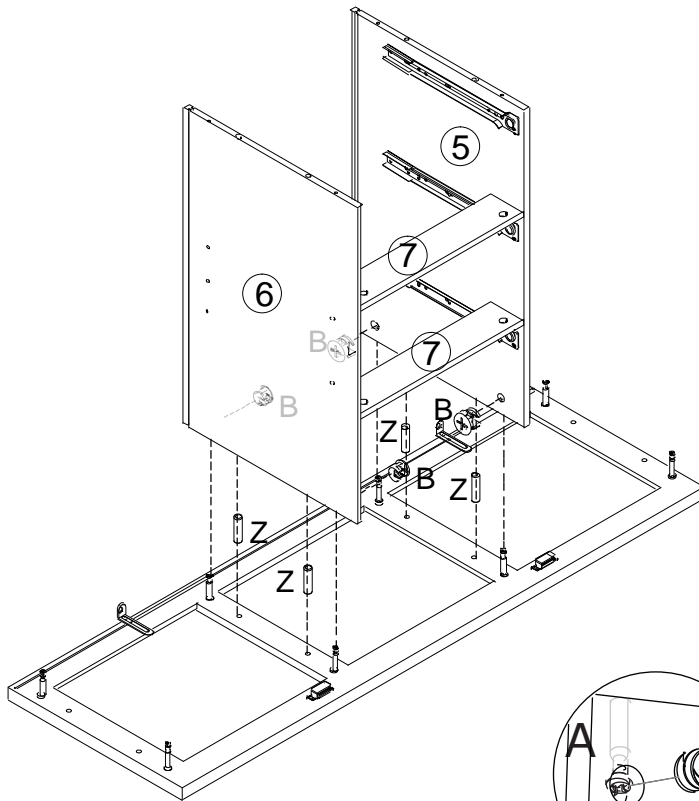
Ø15X10 mm		Ø6x30mm			
					
B	x2	Z	x2	Y	x2



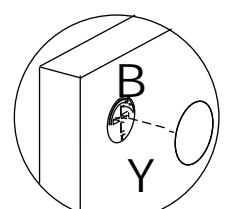
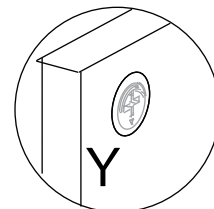
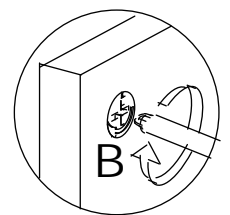
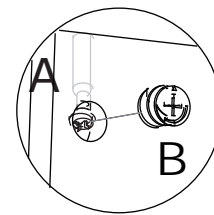
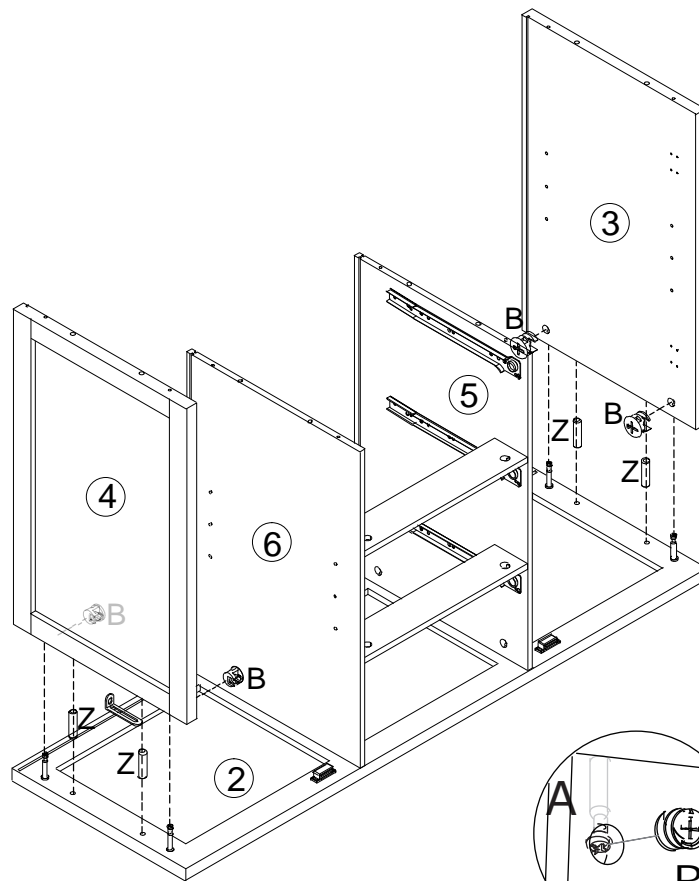
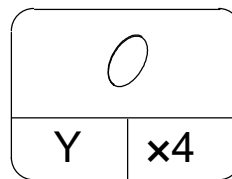
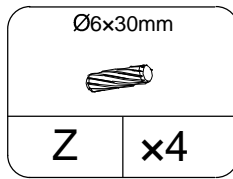
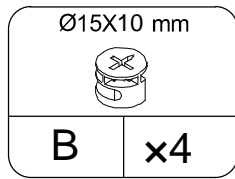
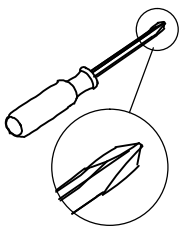
# STEP 10



Ø15X10 mm		Ø6x30mm			
					
B	x4	Z	x4	Y	x4

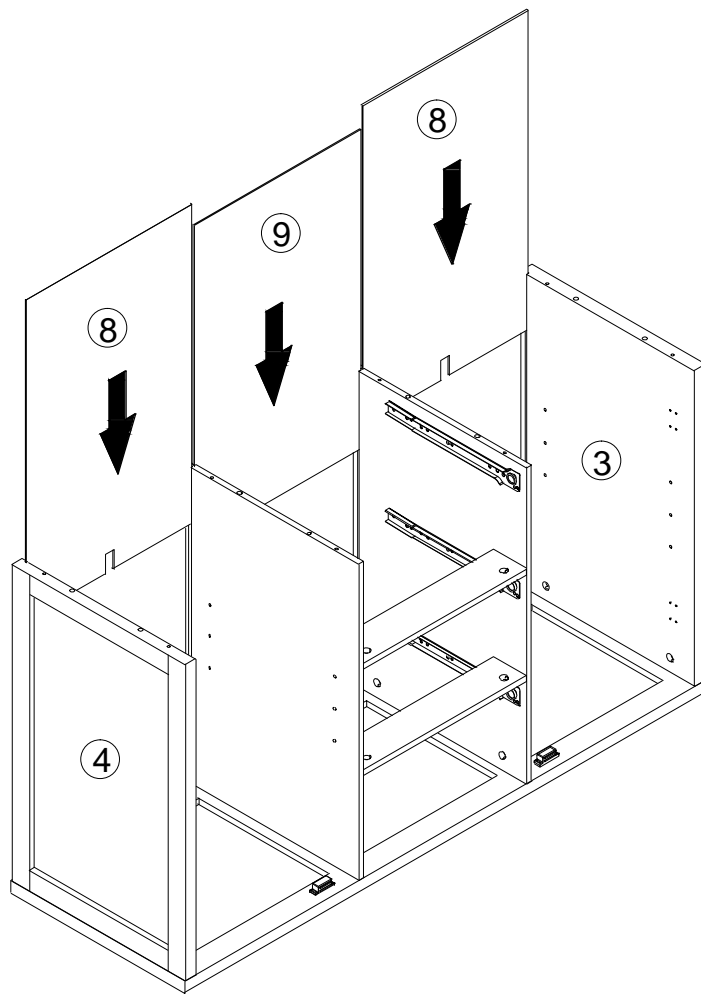


# STEP 11



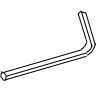


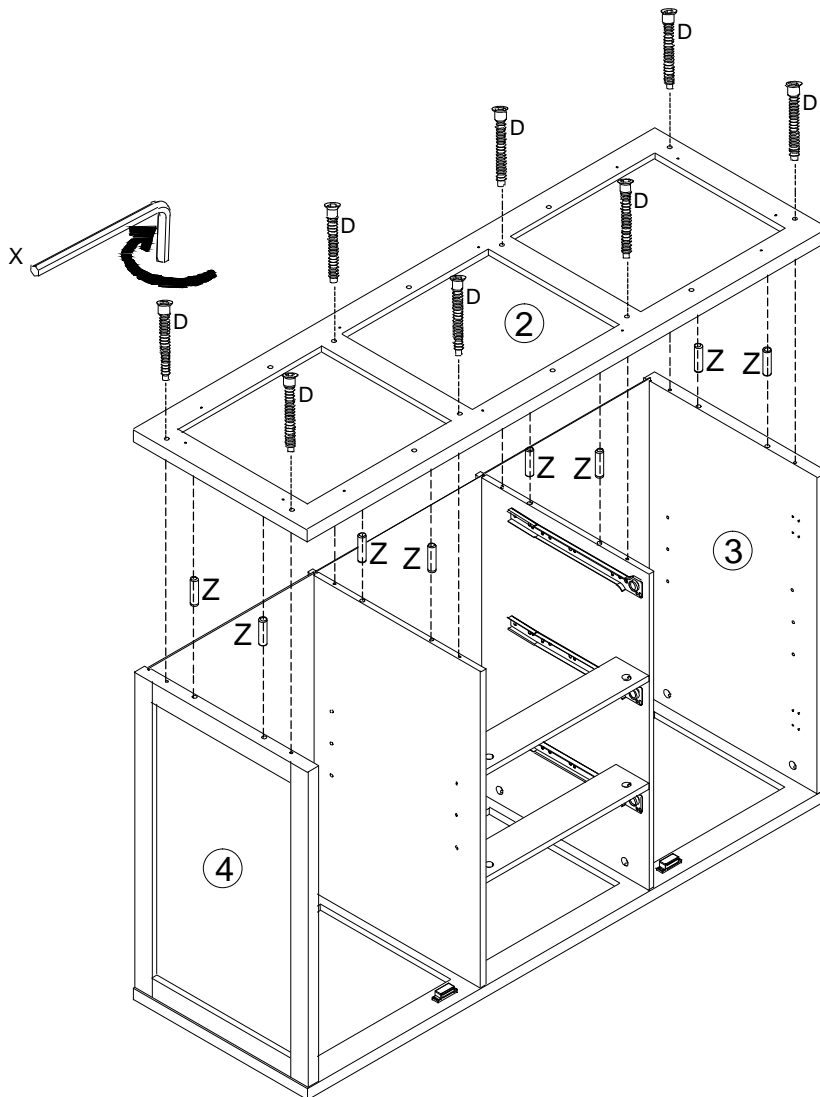
# STEP 12

---

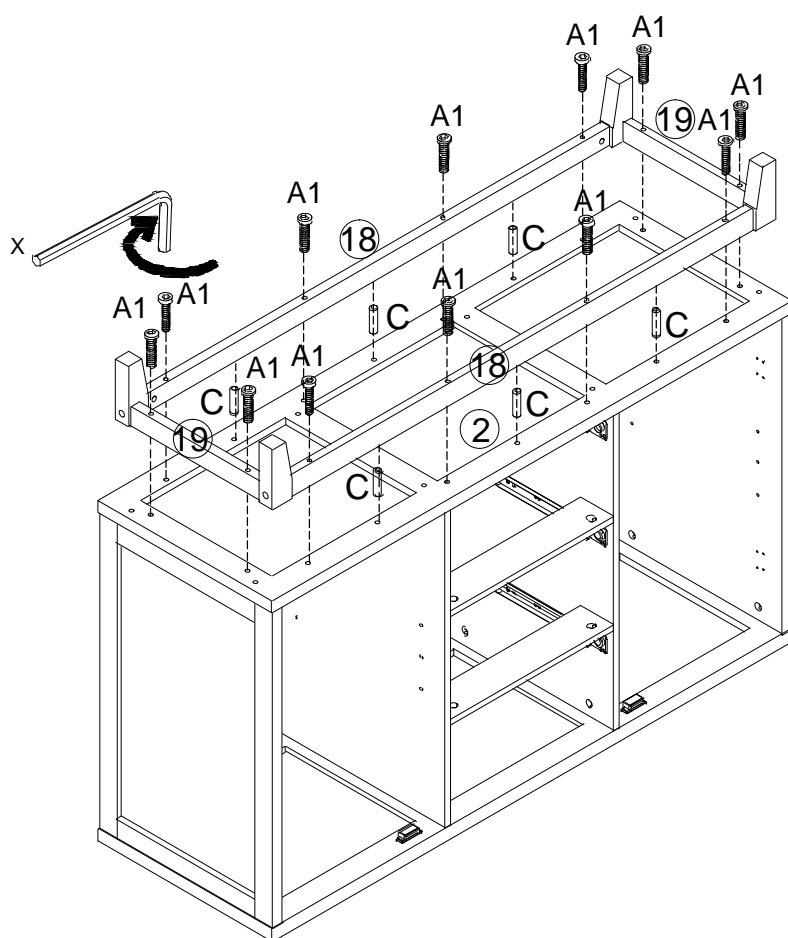
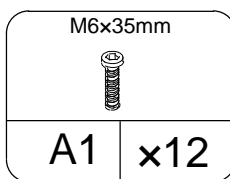
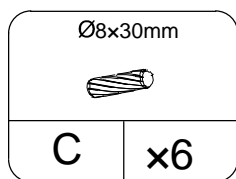
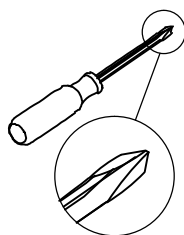


# STEP 13

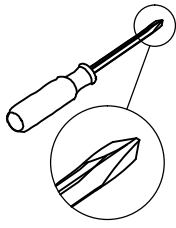
Ø6x30mm 		7*50 			
Z	x8	D	x8	X	x1

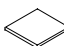



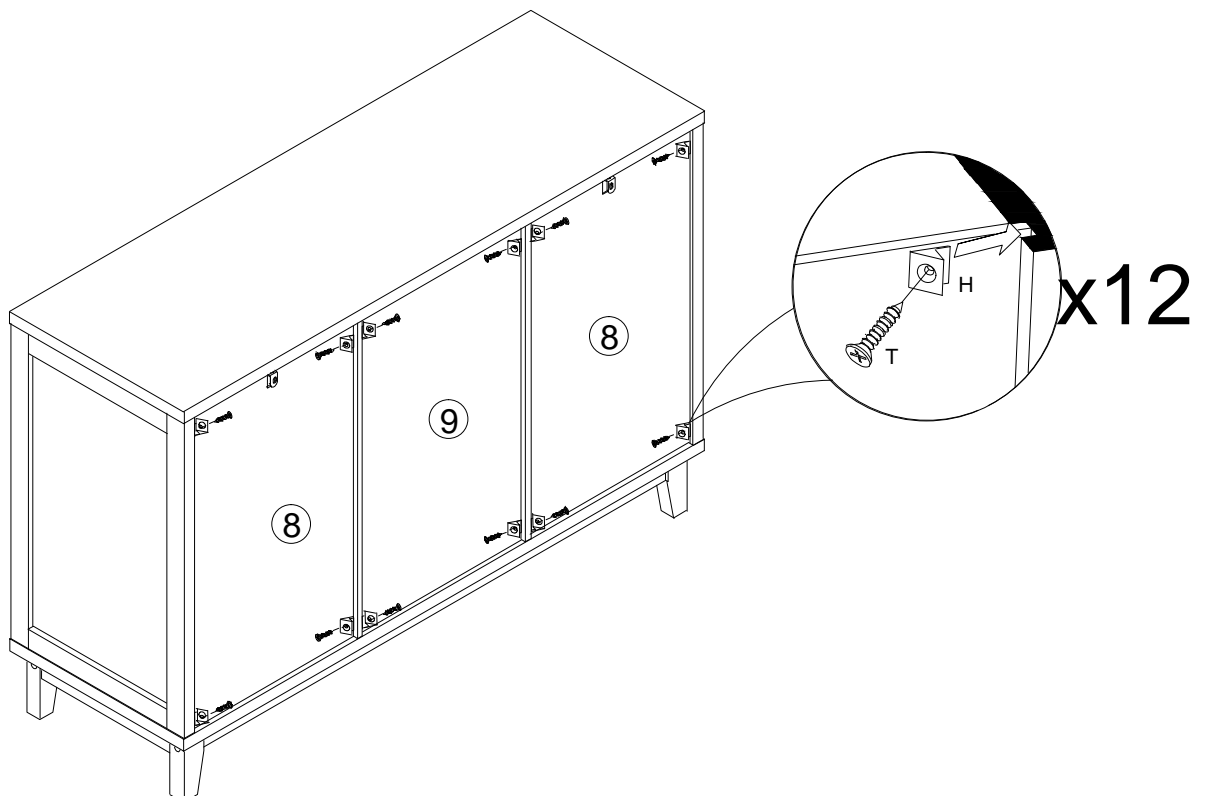
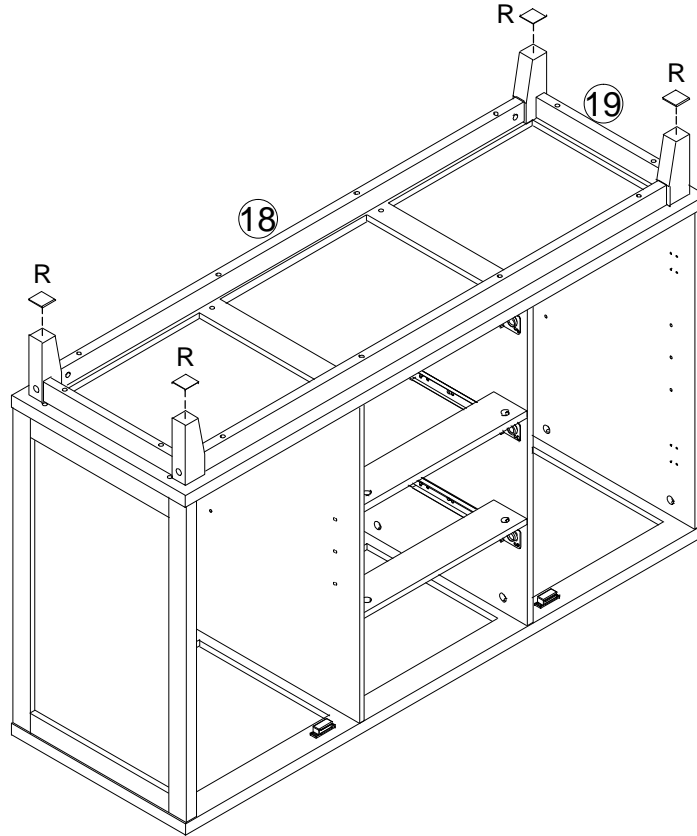
# STEP14



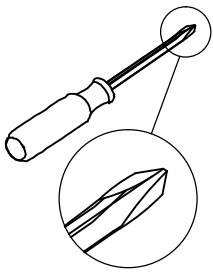
# STEP 15





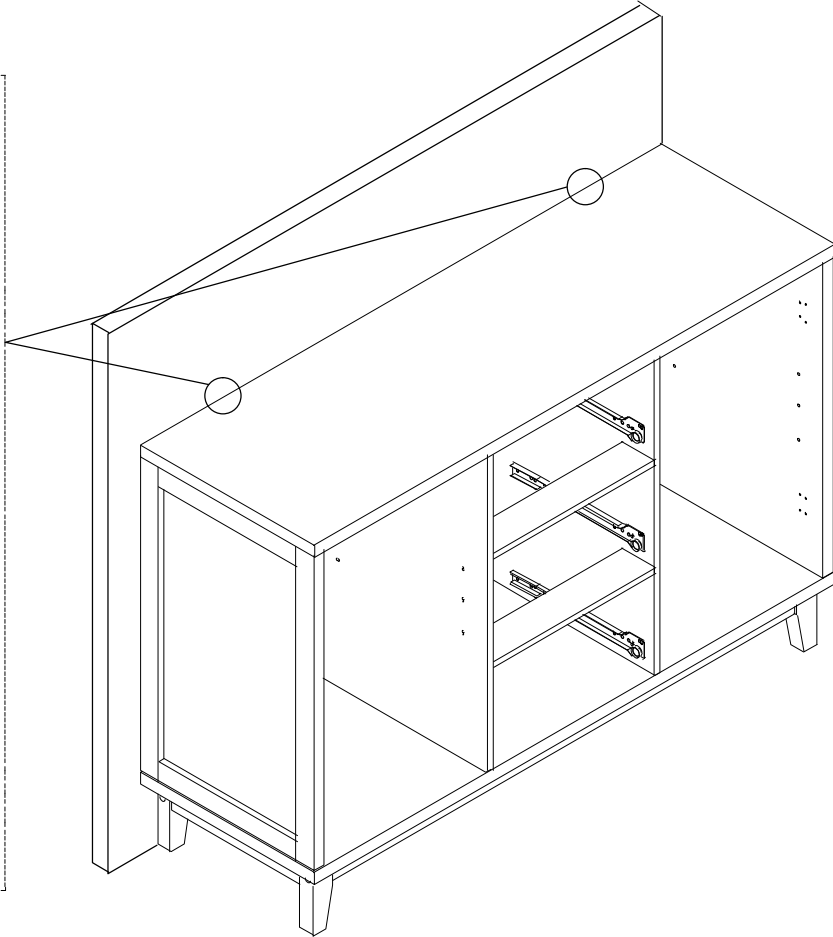
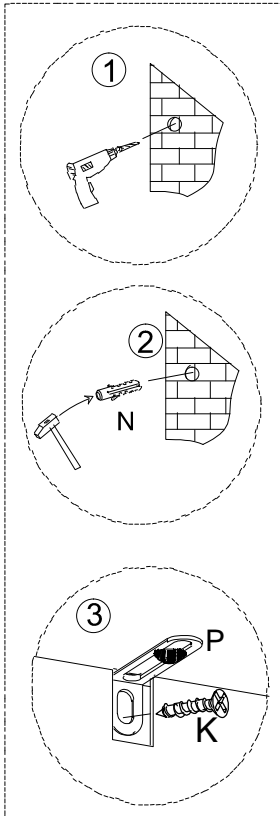
	$\varnothing 3 \times 12 \text{mm}$				
R	x4	T	x12	H	x12



# STEP 16

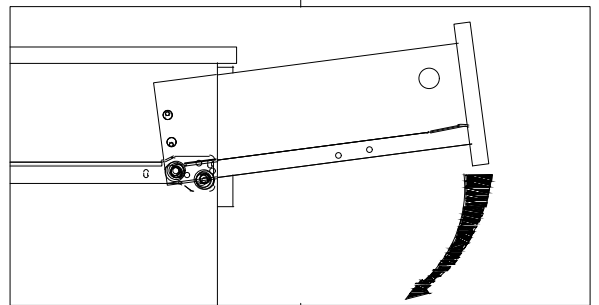
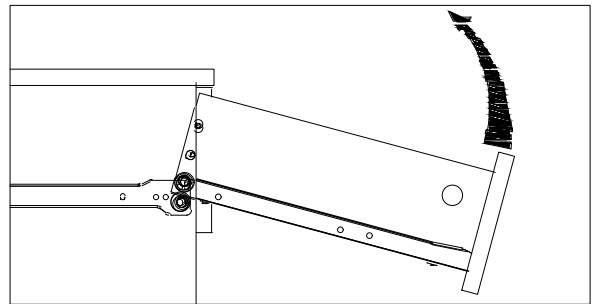
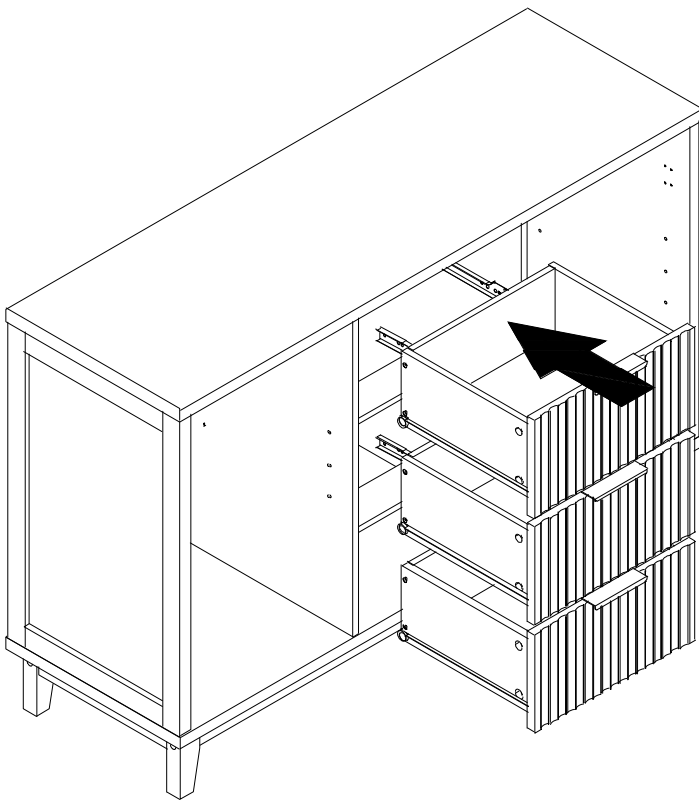


Ø4x35mm					
K	x2	N	x2		



# STEP 17

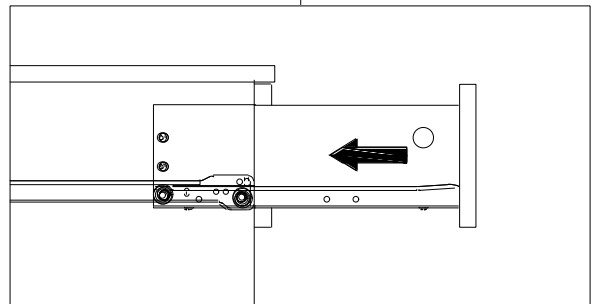
---



13

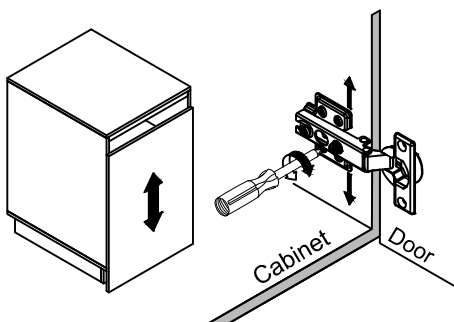
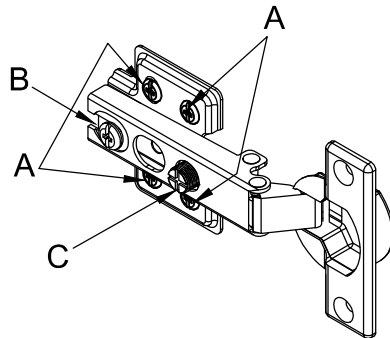
13

13



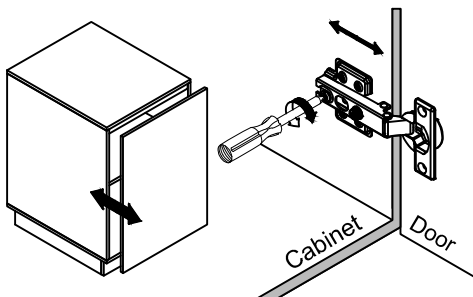
# STEP 18

---



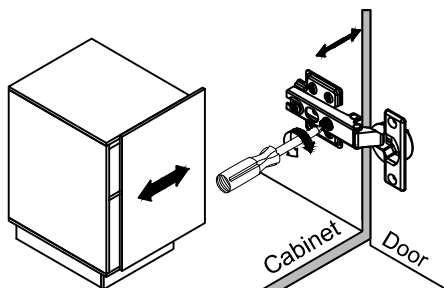
### To adjust the vertical height.

Loosen the four screws "A" on both hinges. Two of them are usually in slotted holes which allows you to adjust up or down by a few mm. Then tighten back up.



### To adjust depth.

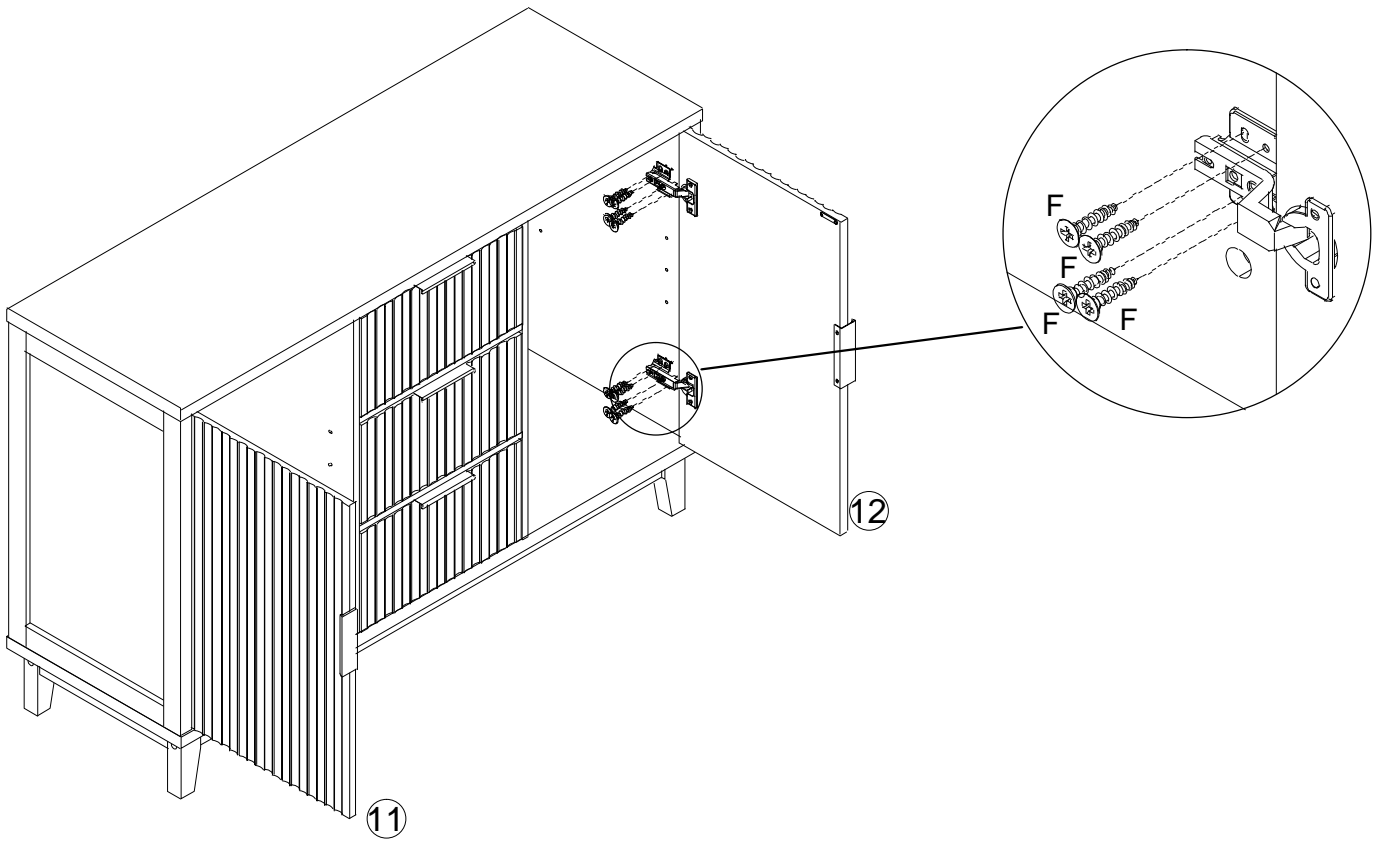
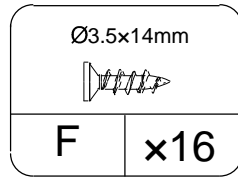
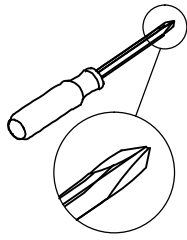
Loosen screw "B" and adjust door, if the door can not be adjusted, please loosen screw "C", then try again. Tighten screw "B" and "C".



### To adjust side ways.

Turning the screw "C" on BOTH hinges on each door.

# STEP 19



# STEP 20

