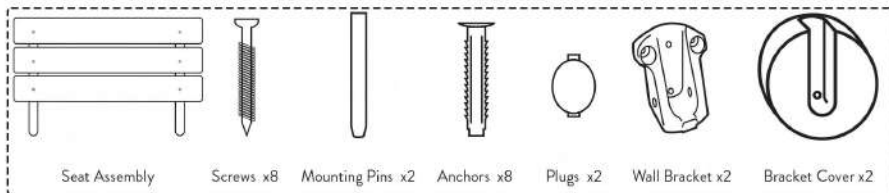
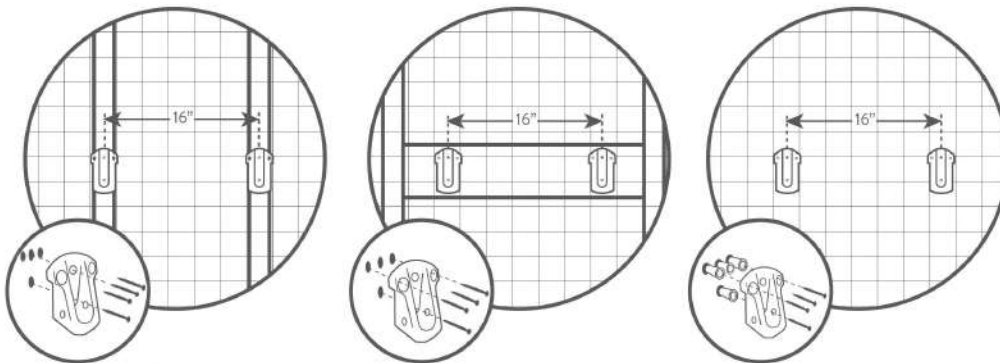


# Installation Guide for Teak Shower Seat

## Parts:



## Step 1



### 1. Stud Mounting (wood mounting)

Measure 16" apart from center holes, use template provided, use (8) screws provided for this installation. Screws should penetrate into the studs minimum of 2.36". Use a 0.2" masonry drill bit to drill through the tile for screw clearance, careful not to drill stud.

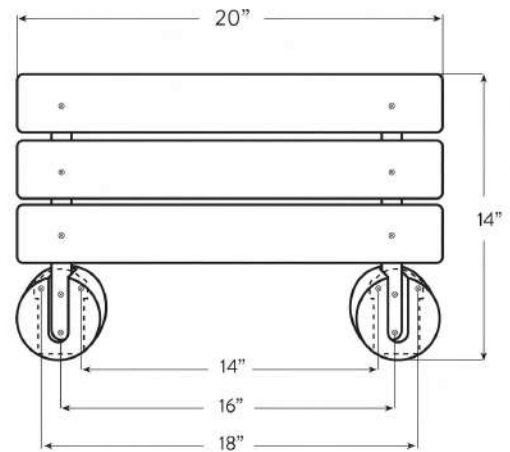
### 2. Wood Noggins (mounting wood)

For wood noggins, measure 16" apart from center holes (use template provided). Use (8) screws provided for this installation. Screws should penetrate into the beam a minimum of 2.36". Use a 0.2" masonry drill bit to drill through the tile for screw clearance, careful not to drill stud.

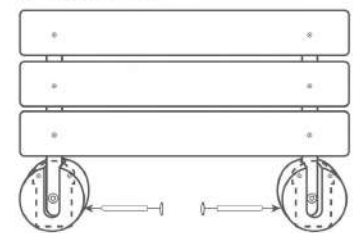
### 3. Mounting (Masonry, brick or block wall)

For solid brick or concrete walls, 16" on center (use template provided) use (8) screws provided for this installation. Screws should penetrate into the studs a minimum of 2.36". Use a 0.32" masonry drill bit to drill a hole deep enough to install the anchors.

## Maximum Weight Capacity 400lbs



## Step 2



Secure seat assembly in place with the mounting pins. After assembly, completely fit plugs into pin holes of the bracket covers.