





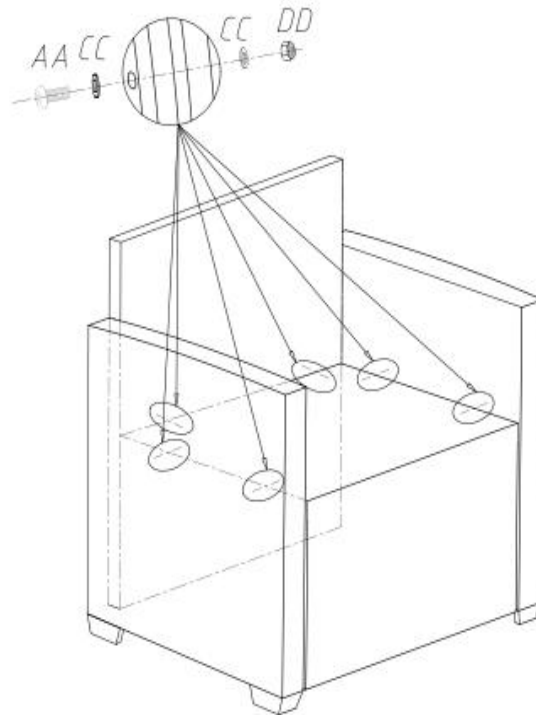
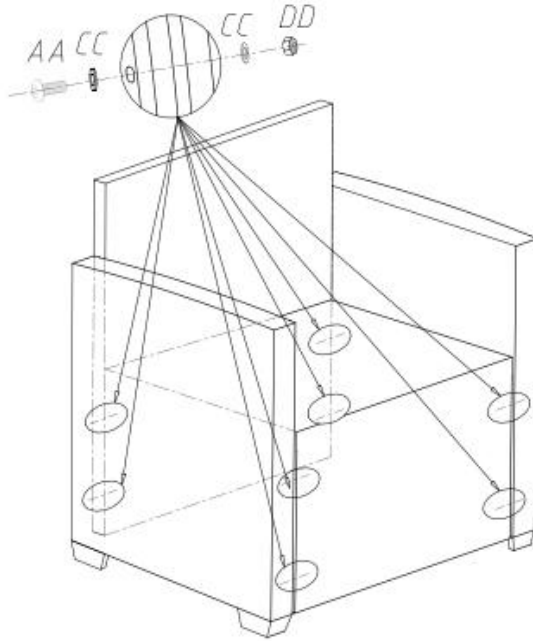





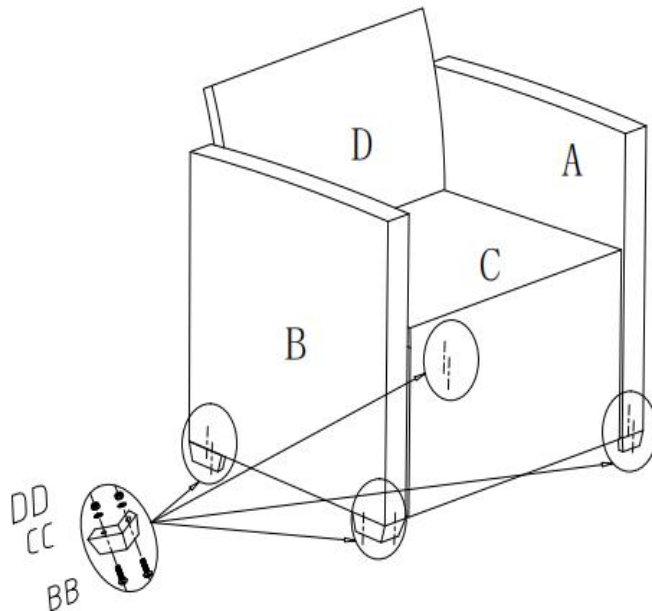








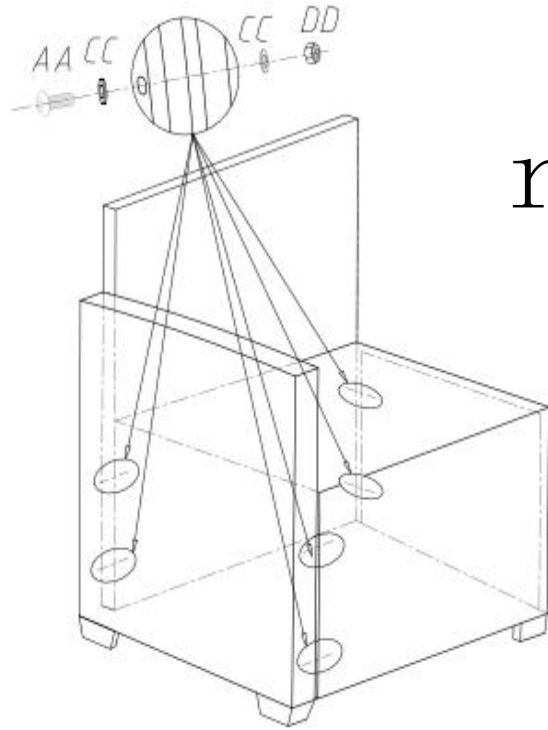
AA	 M6×50	10
BB	 M6×35	10
CC		30
DD		18
EE		1
FF		1



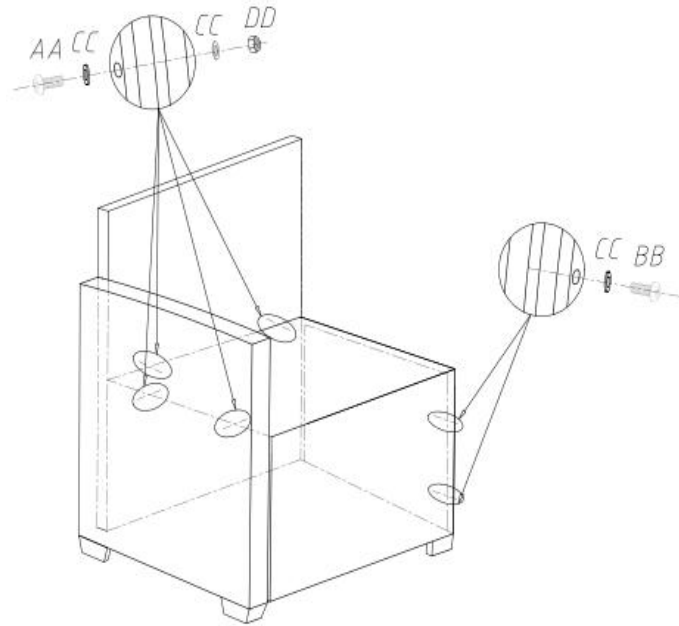
A		1
B		1
D		1
C		1
		4









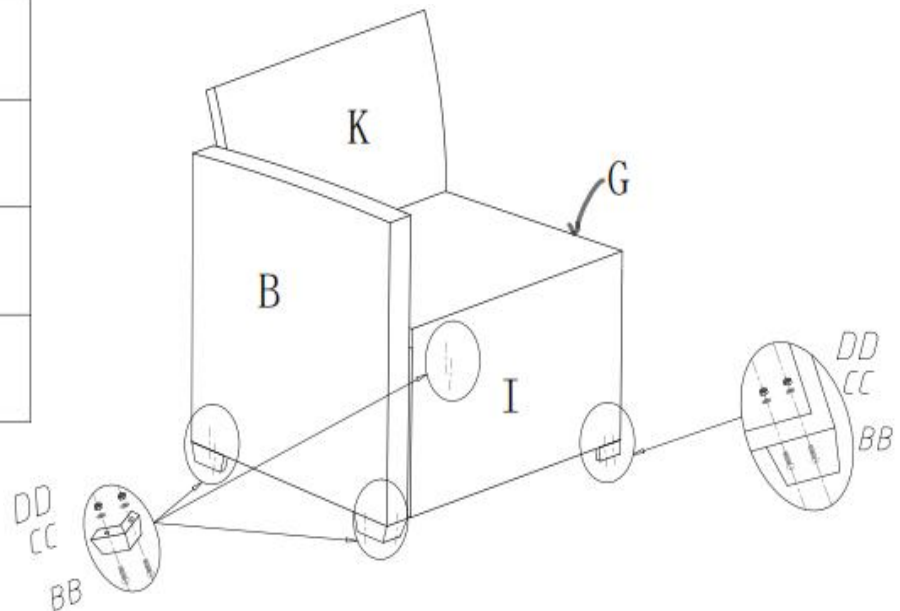
AA	 M6x50	10
BB	 M6x35	10
CC		30
DD		18
EE		1
FF		1









right

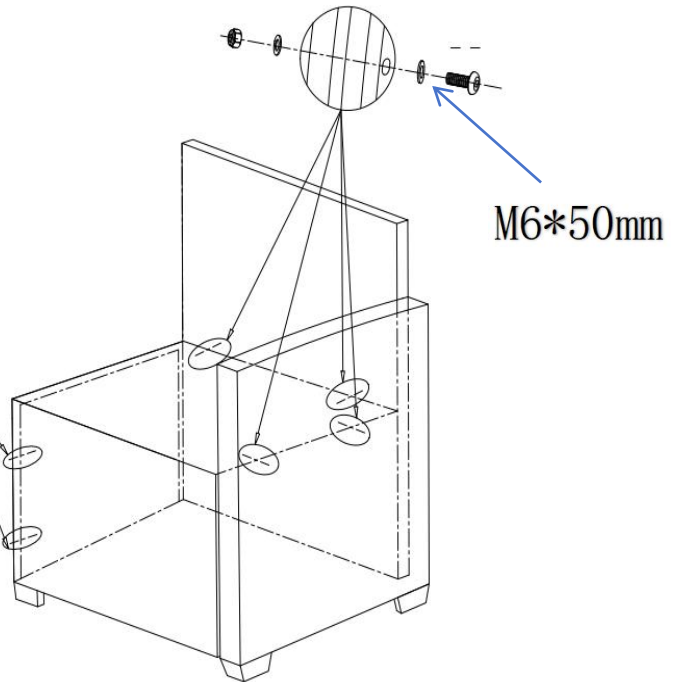
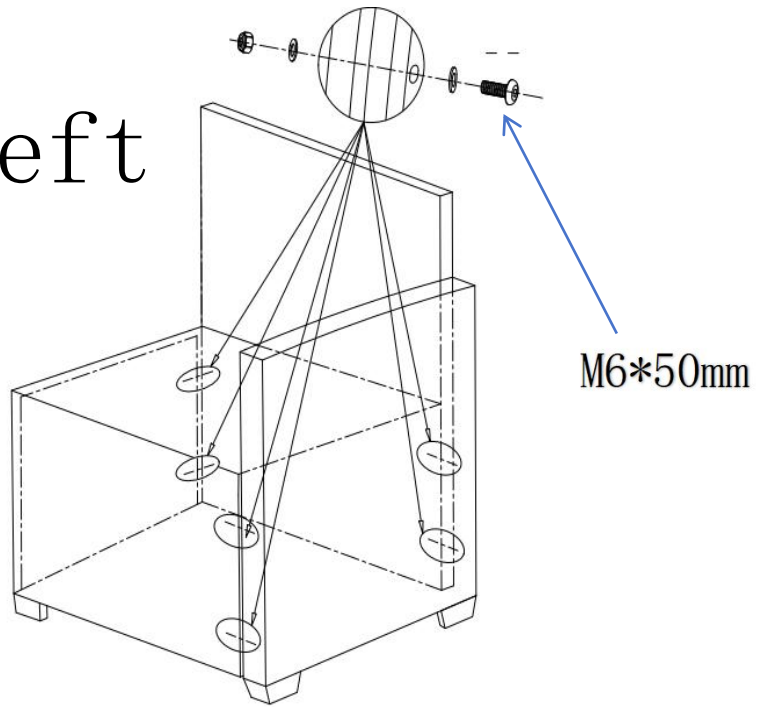


B		1
K		1
G		1
I		1
		3
		1









left

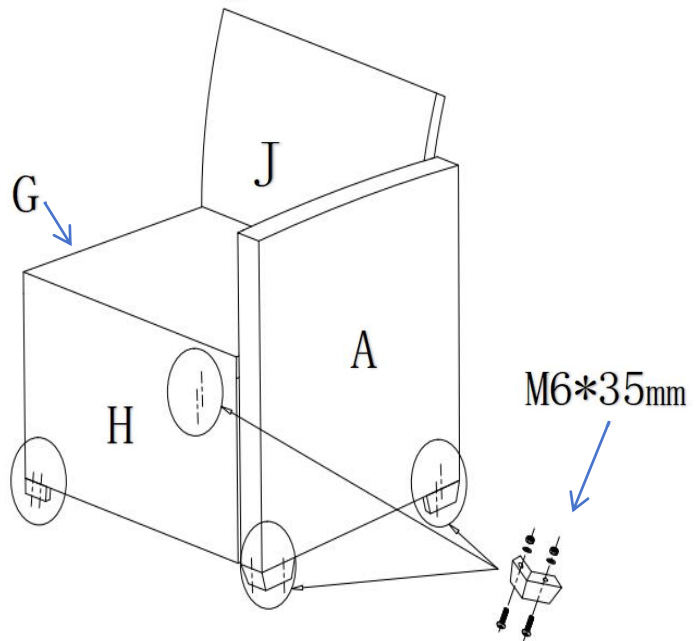
AA	 M6*50	10
BB	 M6*35	10
CC		30
DD		18
EE		1
FF		1








M6*35mm

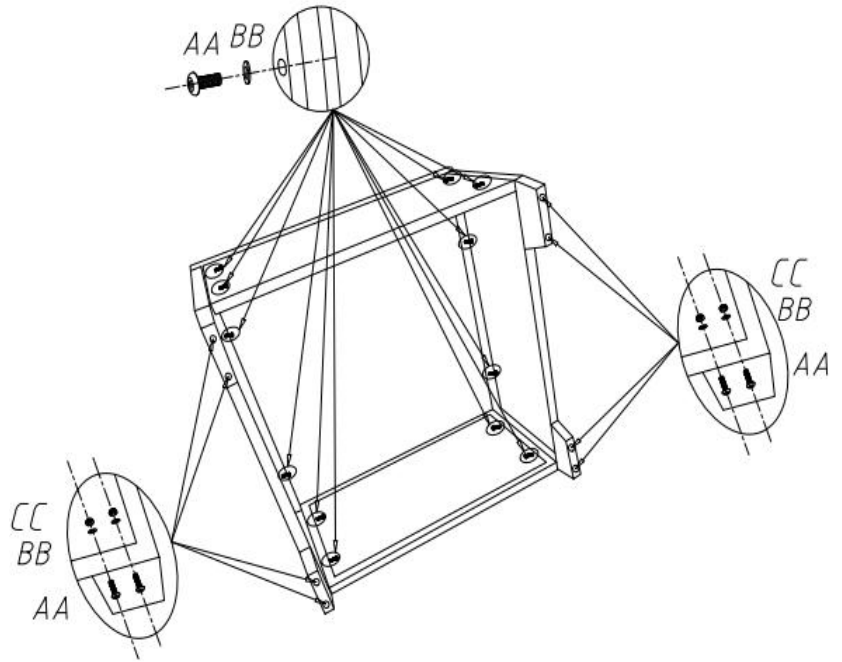
M6*50mm

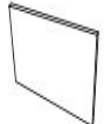



A		1
J		1
G		1
H		1
		3
		1

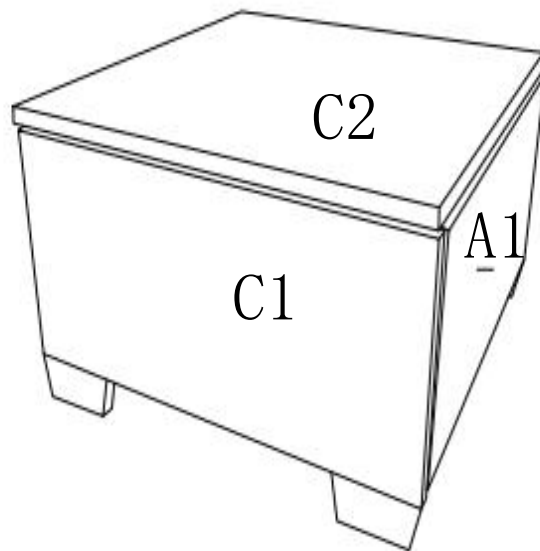







M6*35mm

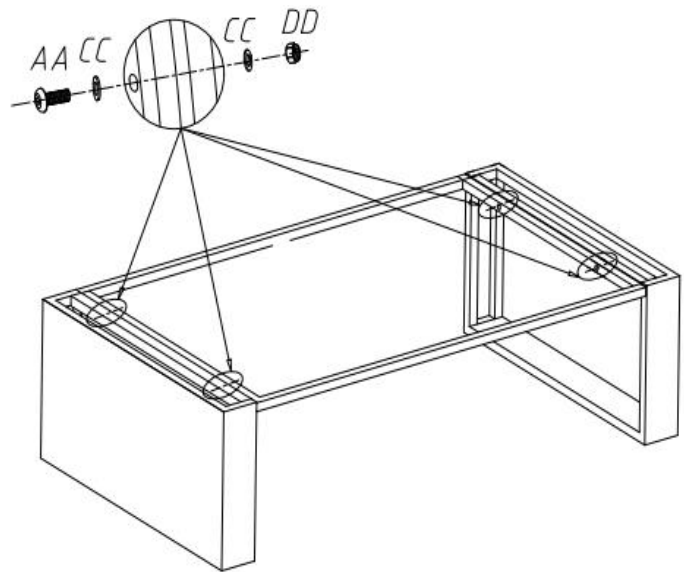
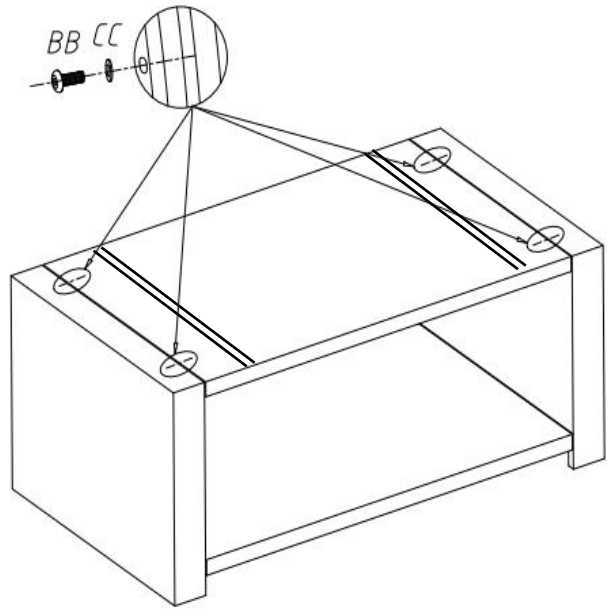
AA	 M6×35	20
BB		20
CC		8
DD		1
EE		1







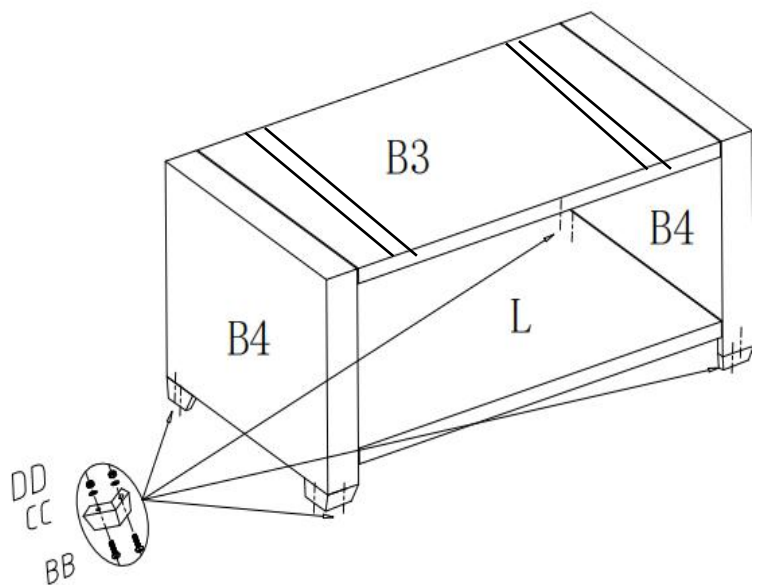
A1		2
C1		2
C2		1
		4









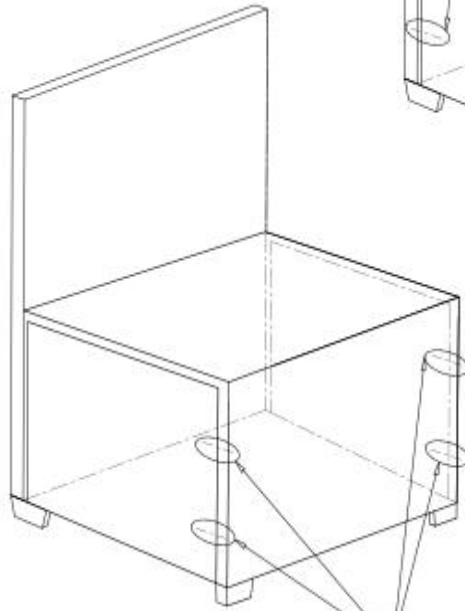
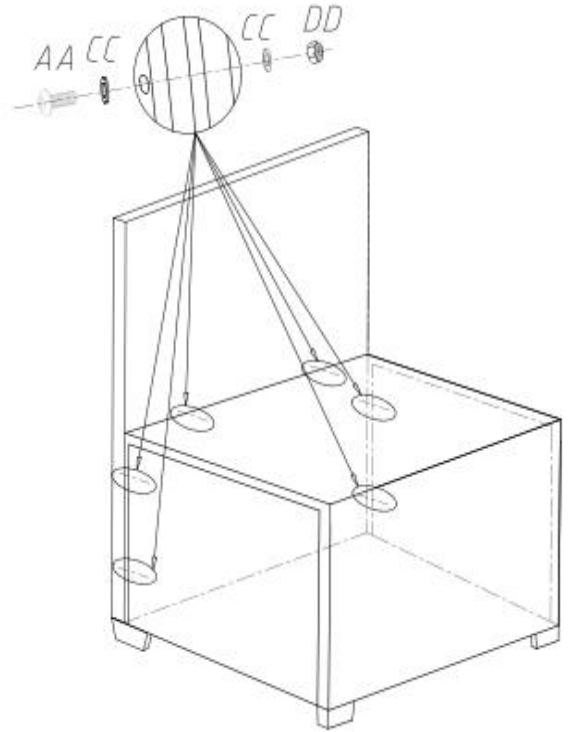
AA	 M6x50	4
BB	 M6x35	12
CC		20
DD		12
EE		1
FF		1








B4		2
L		1
B3		1
		4



AA	 M6x50	6
BB	 M6x35	12
CC		24
DD		14
EE		1
FF		1



F		1
G		2
E		1
		2
		2

