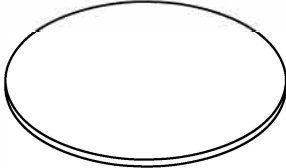
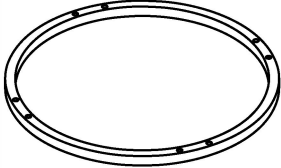
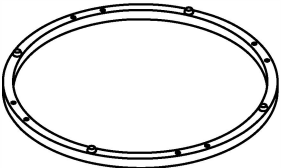
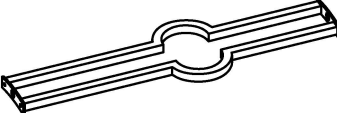
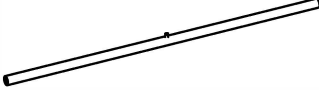
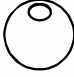


# ASSEMBLY INSTRUCTION







## END TABLE

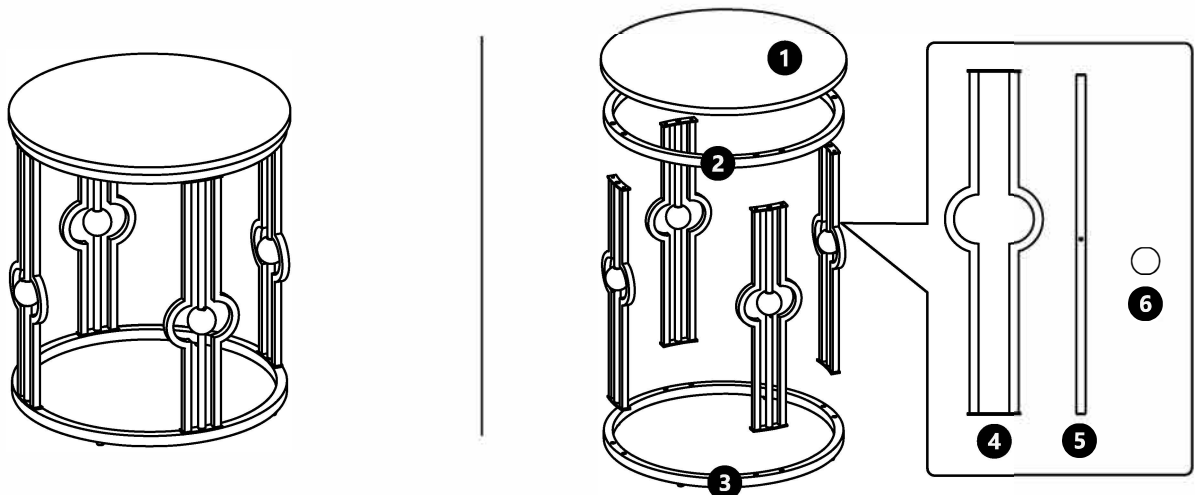
1. Extra Screws of A/B/C/D are provided in case of any screws missing in the boxes.
2. Please take the time to identify and count all parts as well as the hardware to this product.

### PART LIST

		
① × 1PC	② × 1PC	③ × 1PC
		
④ × 4PCS	⑤ × 4PCS	⑥ × 4PCS

### HARDWARE

					
M6×12mm	M6×35mm	M6×25mm		4mm	
A×8PCS	B×8PCS	C×8PCS	D×8PCS	E×1PC	F×8PCS



#### NOTED:

1. It is recommended that this item should be assembled by two adults.
  2. Assemble this item on a soft surface, such as cardboard or carpet, to protect finish.
- For product assistance and warranty information, please contact us before return this product:**  
Please provide us with following information, so that it will be easier to resolve your problem smoothly.

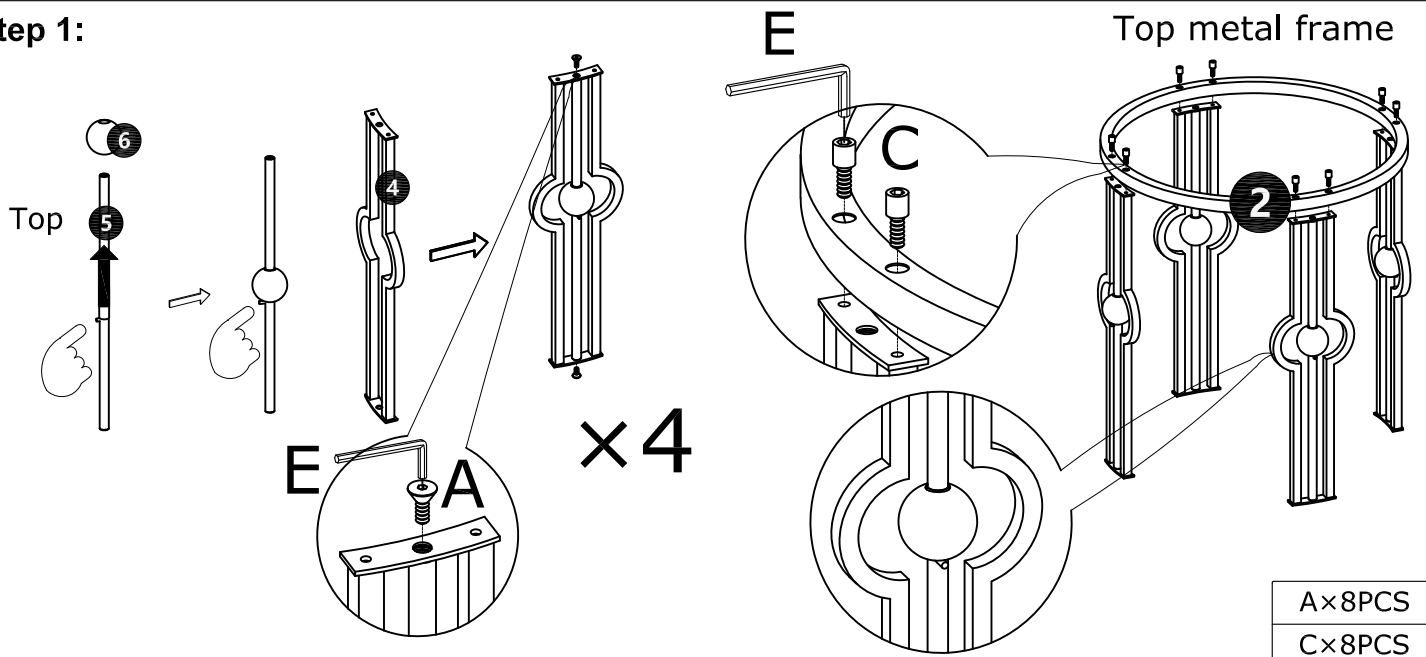
1、 Order ID:

2、 Pictures of Your Items Damage or Parts Missing:

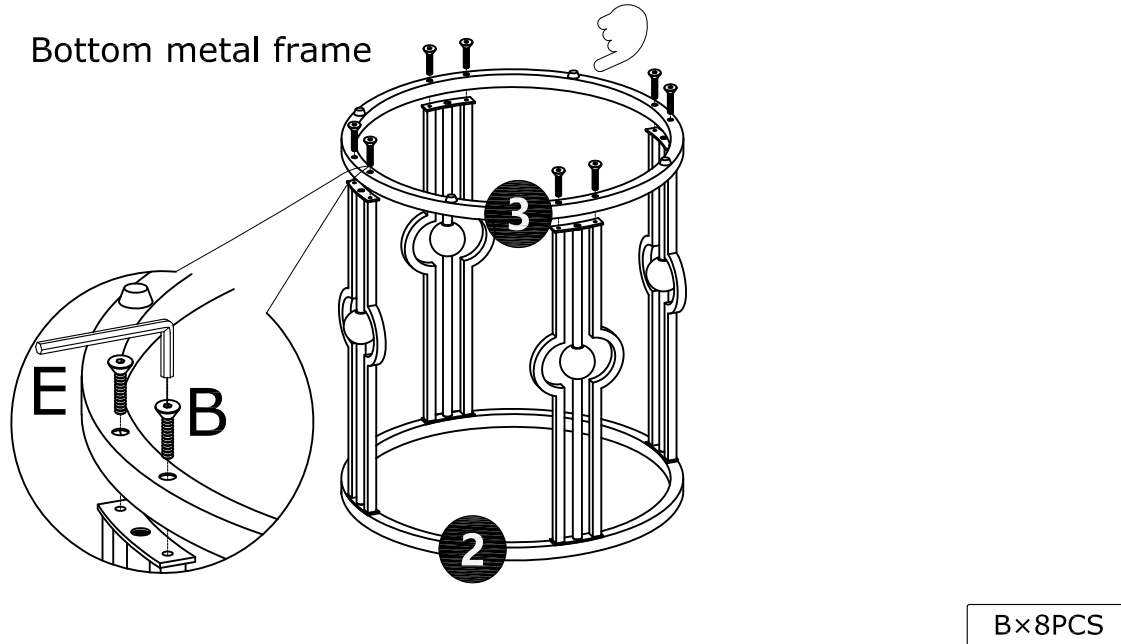
**THANK YOU FOR PURCHASING OUR FURNITURE, IT IS AN HONOR TO BE IN YOUR HOME!**

**NOTED: Please do not tighten all bolts until the products is assembled completely.**

**Step 1:**

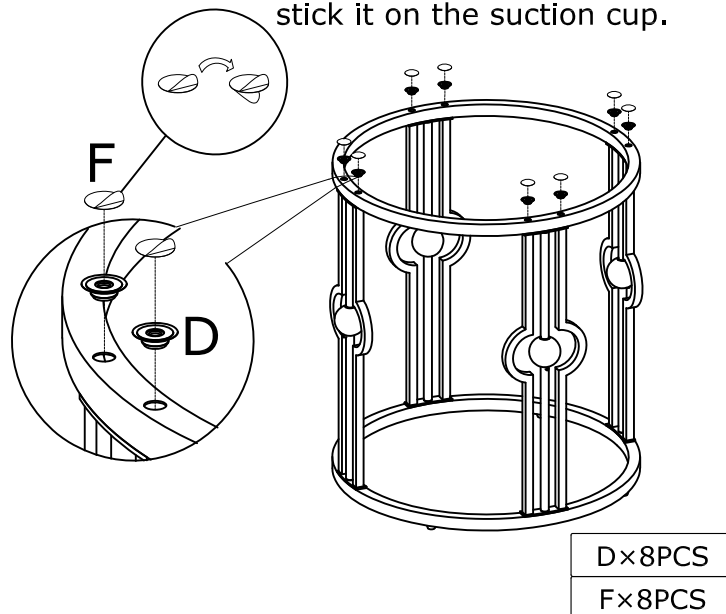


**Step 2:**



**Step 3:**

Tear off the adhesive sticker and stick it on the suction cup.



**Step 4:**

