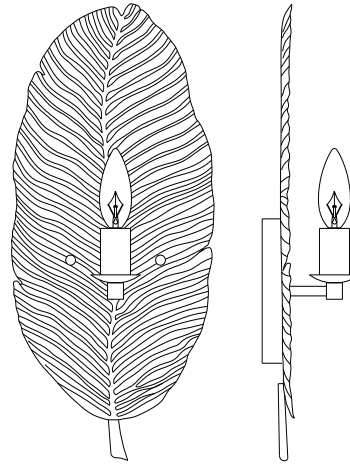


Assembly Instruction

CAUTION: Read instruction carefully and turn electricity off at main circuit breaker panel before beginning installation.



Care and Cleaning


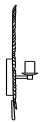



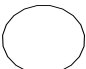
To clean the outside of the fixture, use a dry or slightly dampened clean cloth (use clean water, never a solvent) to wipe the surface of the fixture.

To clear the inside of the fixture, first disconnect power to the fixture by turning off the circuit breaker or by removing the fuse at the fuse box. Next, use a dry or slightly dampened clean cloth (use clean water, never a solvent) to wipe the interior surface of the fixture.

Do not use any cleaners with chemical, solvents or harsh abrasives. Use Only a dry soft cloth to dust or wipe carefully.

Estimated Assembly Time: 30 minutes

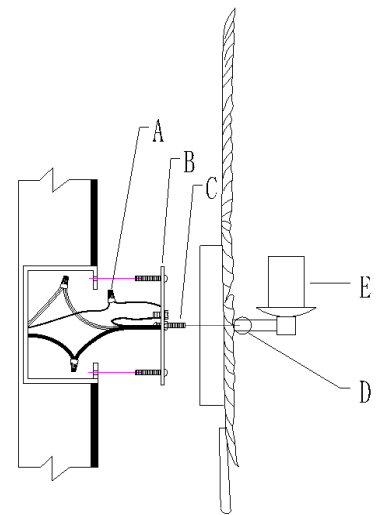
Part List and Hardware List

PIECE	DESCRIPTION	PICTURE	QUANTITY	PIECE	DESCRIPTION	PICTURE	QUANTITY
A	Wire Nut		3X	E	Lampbody		1X
B	Mounting bar		1X	F	Bulb		1X
C	machine screw		2X				
D	Canopy ball		2X				

Installation

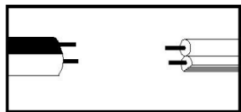
Step 1

Unpack all parts from cartons carefully
Fix the Mounting Plate(B) to the junction box
with Machine Screw (C).

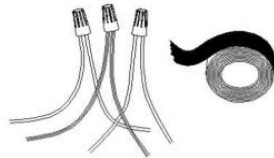


Step 2 Wire connection

Connect,Hot,Black or Red outlet Supply Wire to:	Connect,Neutral,White Outlet Supply Wire to:
Black	White
*Parallel Cord(round&smooth)	*Parallel Cord(square&ridged)
Clear,Brown,Gold or Black without Tracer(colored stripes)	Clear,Brwn,Gold or Black without Tracer(colored stripes)
Insulated Wire(not green)with copper metal conductor	Insulated Wire(not green)with Silver metal conductor



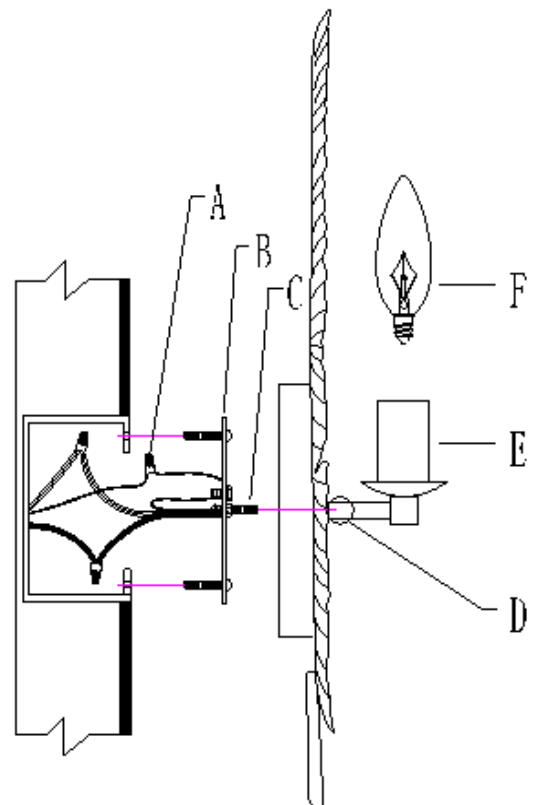
*Note: When parallel wire(SPTI&SPTII)is used. The neutral wire is square shaped and ridged and the hot wire will be round in shape and smooth.(See illustration on left)



Step 3

Attach the Canopy Assembly to the junction box and fix it
by turning the Canopy ball (D)
Install bulbs (F). Be sure to use bulb with wattage
no greater than specified on this fixture

**PLEASE USE ON/OFF TYPE "B" BULB MAX 40-WATT
OR CFL BULB MAX 9-WATT
THERE IS 25W TYPE "B" BULB IN THE BOX.**



Step 4

Consult a qualified electrician to ensure correct branch
circuit conductor