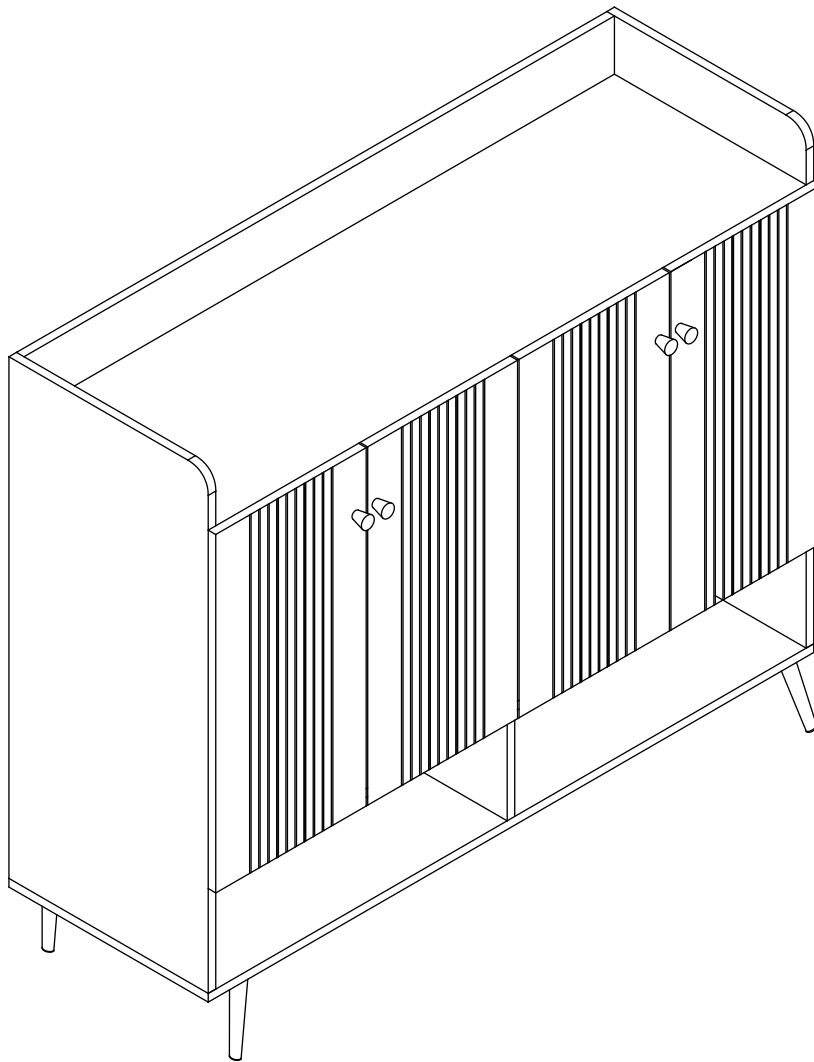


4 Doors Storage Cabinet



1 HOUR
ASSEMBLY TIME

2 PEOPLE
REQUIRED FOR ASSEMBLY

2 x 1 m
FLOOR SPACE REQUIRED

ASSEMBLY & INSTRUCTION MANUAL

SAFETY PRECAUTION

PLEASE READ ALL INSTRUCTIONS CAREFULLY BEFORE ASSEMBLING AND USING THE PRODUCT.

1. Please check that all parts are present before you start the assembly of your furniture. A Philips head screwdriver (not included) is required for the assembly.
2. For ease and speed of assembly, we recommend that you identify all parts required for the step before you start that step.
3. For larger items, please ensure that you have sufficient space and people to assemble your product safely.
4. We recommend that all items be assembled near to the area where it is placed in use to avoid moving the product unnecessarily once assembled.
5. For the protection of your furniture, we recommend that the product be placed on a protected surface during assembly to prevent potential damage.
6. During assembly, do not tighten bolts/screws completely until all bolts are lined up and inserted into holes. Do not over tighten screws and bolts to avoid stripping. Do not use power tools.
7. Always place the product on a flat, steady and stable surface.
8. Do not stand on the product. Do not use the product as a stepladder.
9. This product is intended for indoor, household use only as it is a non-industrial product.

CARE AND CLEANING

- Please periodically check all fittings and re-tighten as necessary.
- To clean your item, please use a dry cloth to wipe it clean.
- Never allow any kind of liquid to remain on your furniture. If liquid spills onto the product, please wipe it clean as soon as possible.

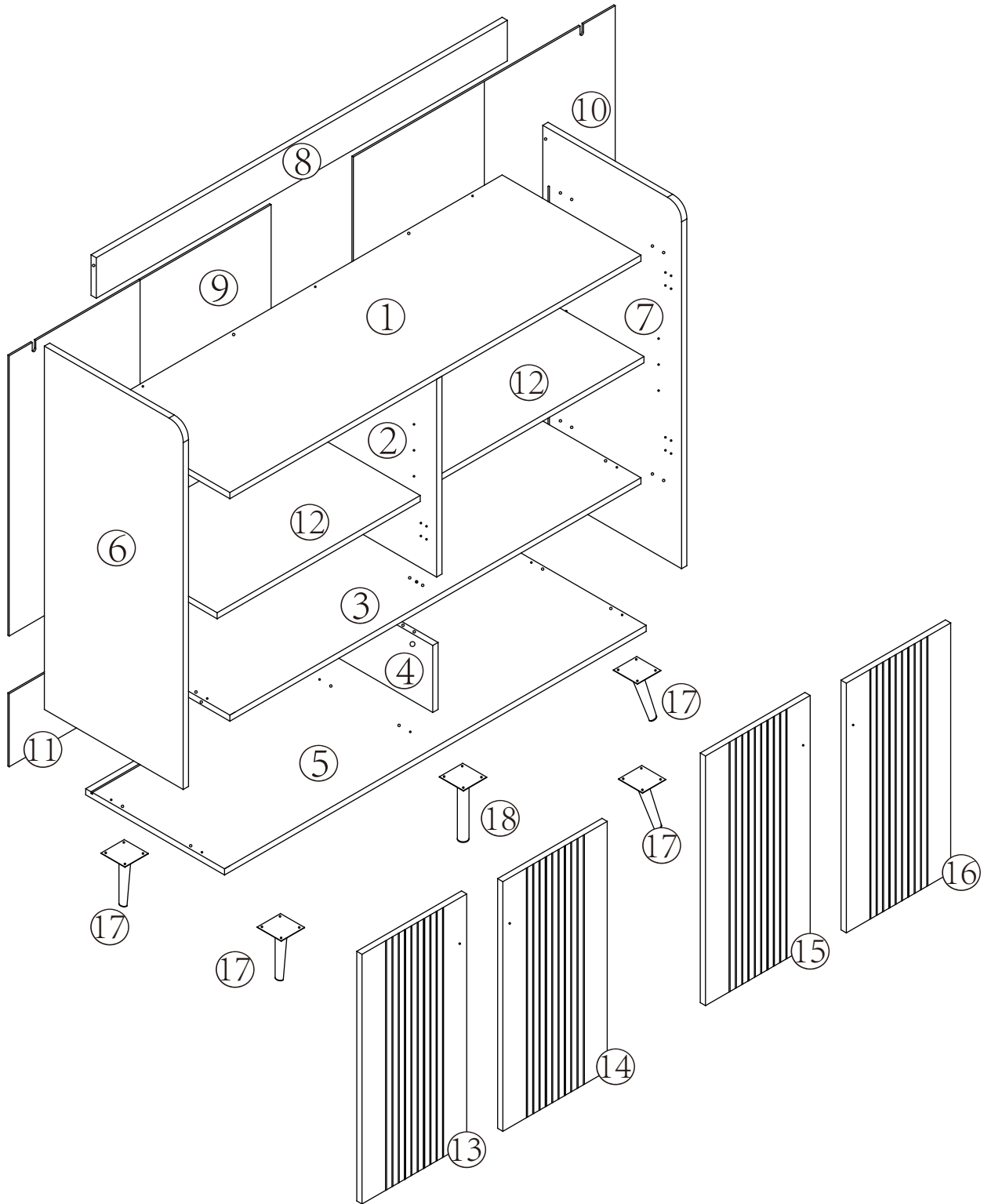


WARNING: ENSURE THE WALL STRAP IS ATTACHED TO AVOID SERIOUS INJURY.

To avoid any serious or fatal injury, this product has been fitted with a wall strap to prevent toppling. We strongly recommend that this product is permanently fixed to the wall or other suitable surface. Fixing devices are not included since different surface materials require different attachments. Please seek professional advice if you are in doubt of what fixing device to use. Do not stand on the product. Do not climb on the product. Do not swing on the product.

PLEASE READ AND SAVE THESE INSTRUCTIONS FOR FUTURE REFERENCE

ASSEMBLY DIAGRAM




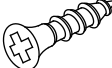
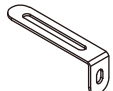

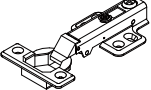

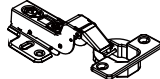



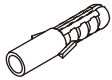
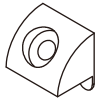
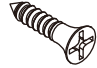
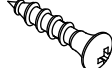


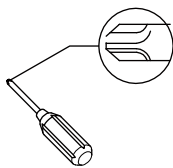
AFTER-SALES SUPPORT

If you have any general enquiry or require spare parts for this product, please feel free to contact us via the following email:

You can contact us for support at any time. We'll answer you in 24 hours.

HARDWARE LIST

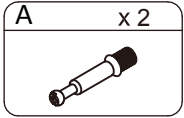
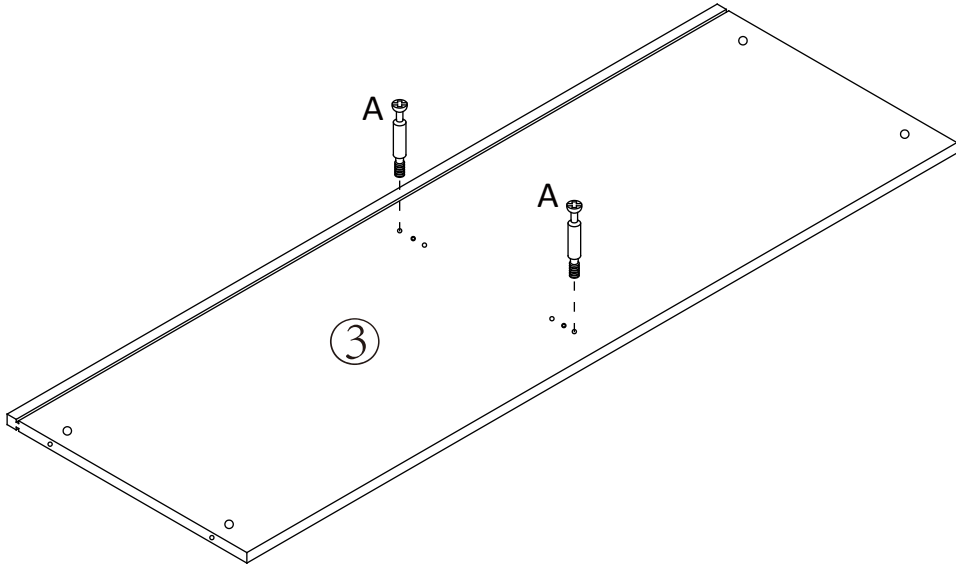
A x 14  6x35MM	B x 14  15 x10 MM	C x 22  6x30MM	D x 11  4x35MM	E x 2 
F x 22  4x12MM	G x 4 	H x 48  4x12MM	I x 4 	K x 4 
J x 4  4x18MM	L x 8 	M x 2  6x30MM	N x 12 	O x 12  3x16MM
P x 2  4x40MM				



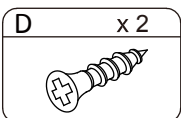
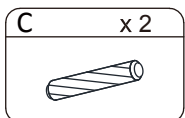
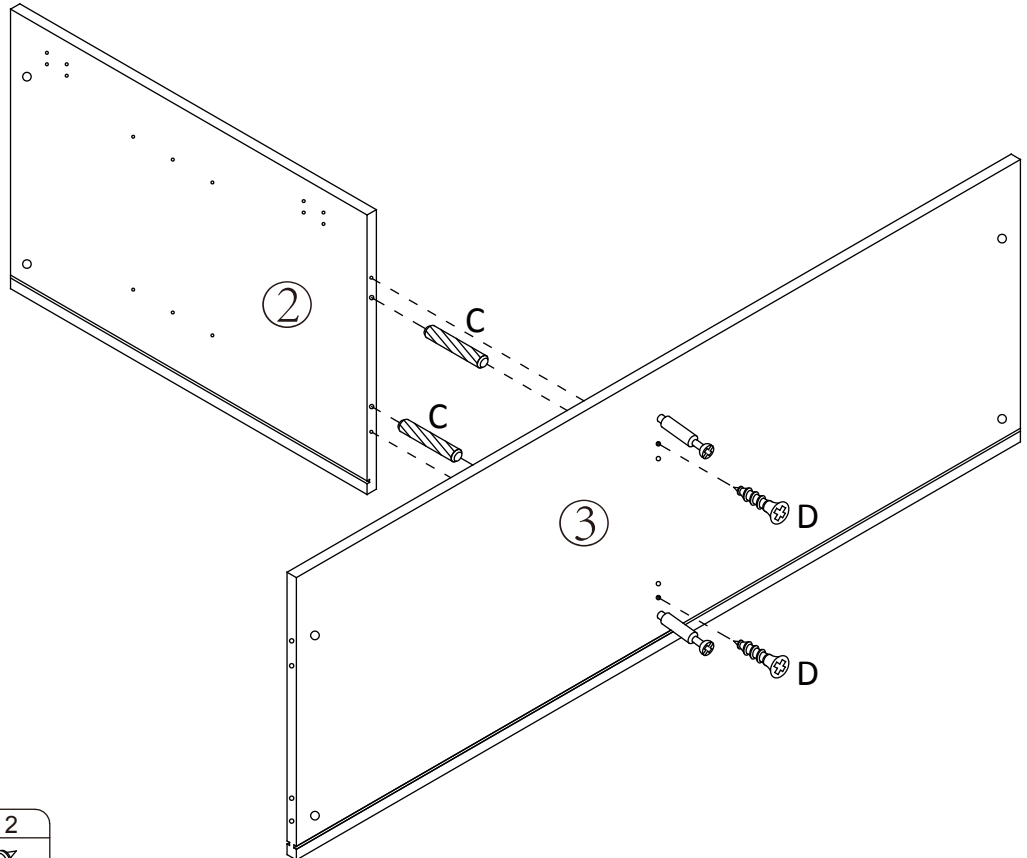
Philips head screwdriver required for assembly
(not included)

The hardware quantities listed above are required for proper assembly.
Some extra hardware may also have been included.

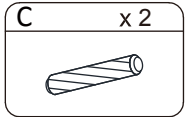
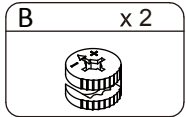
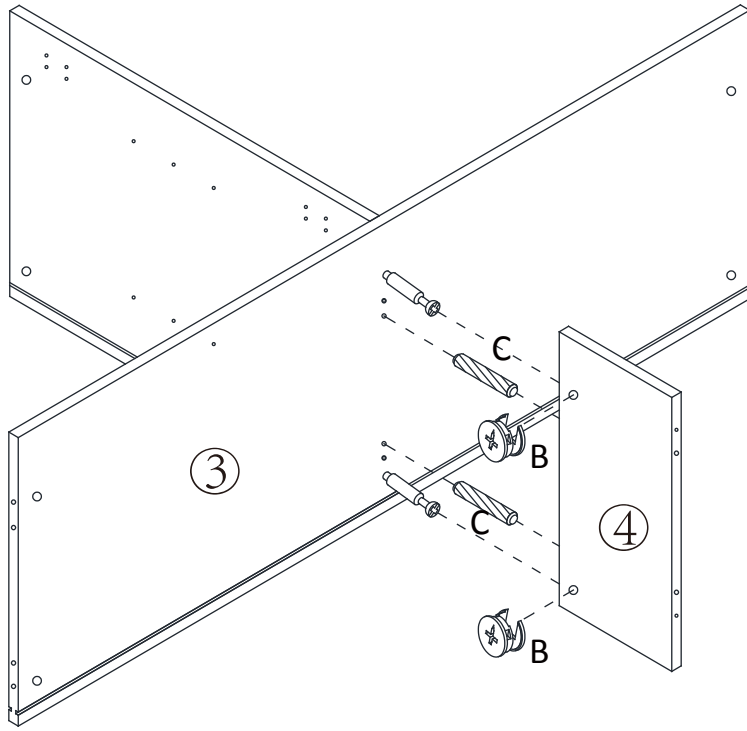
1



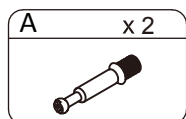
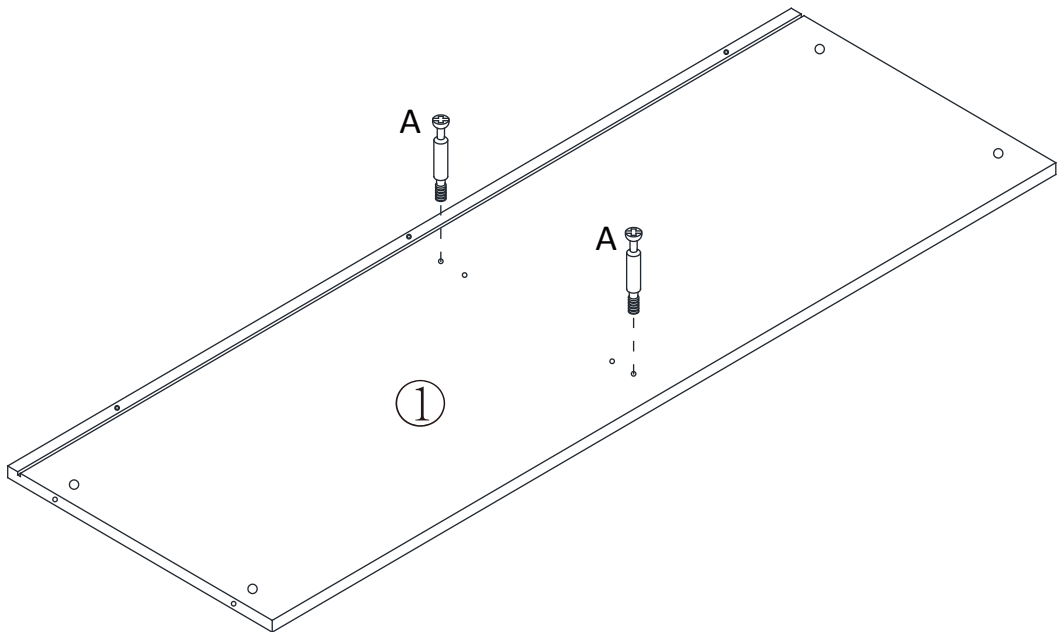
2



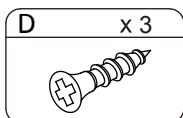
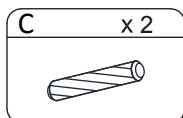
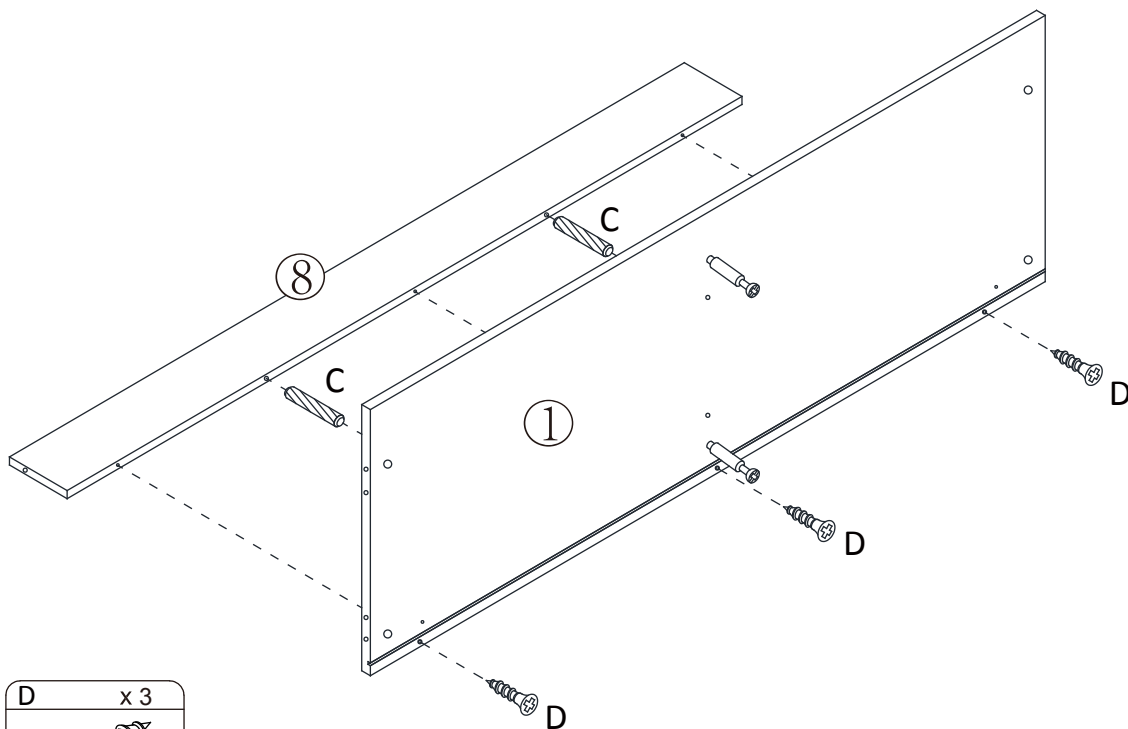
3



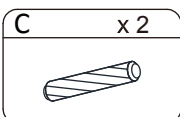
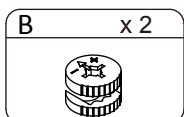
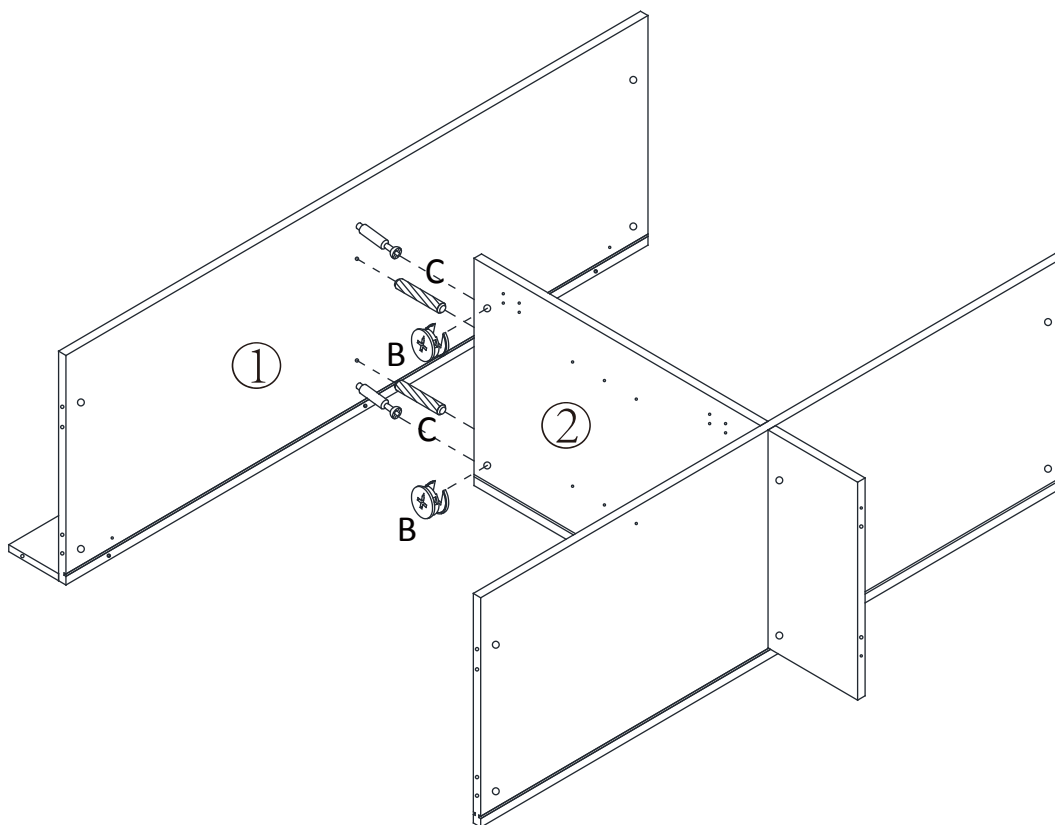
4



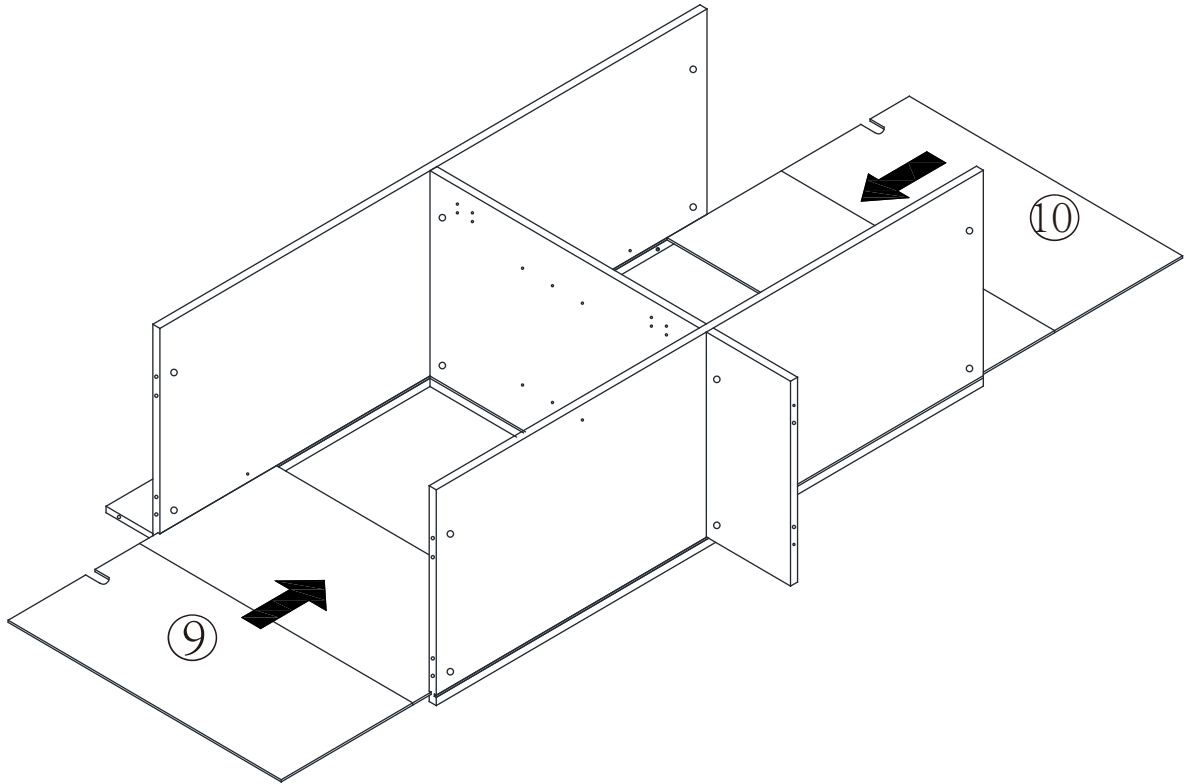
5



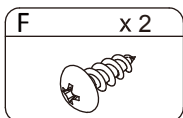
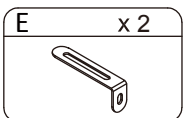
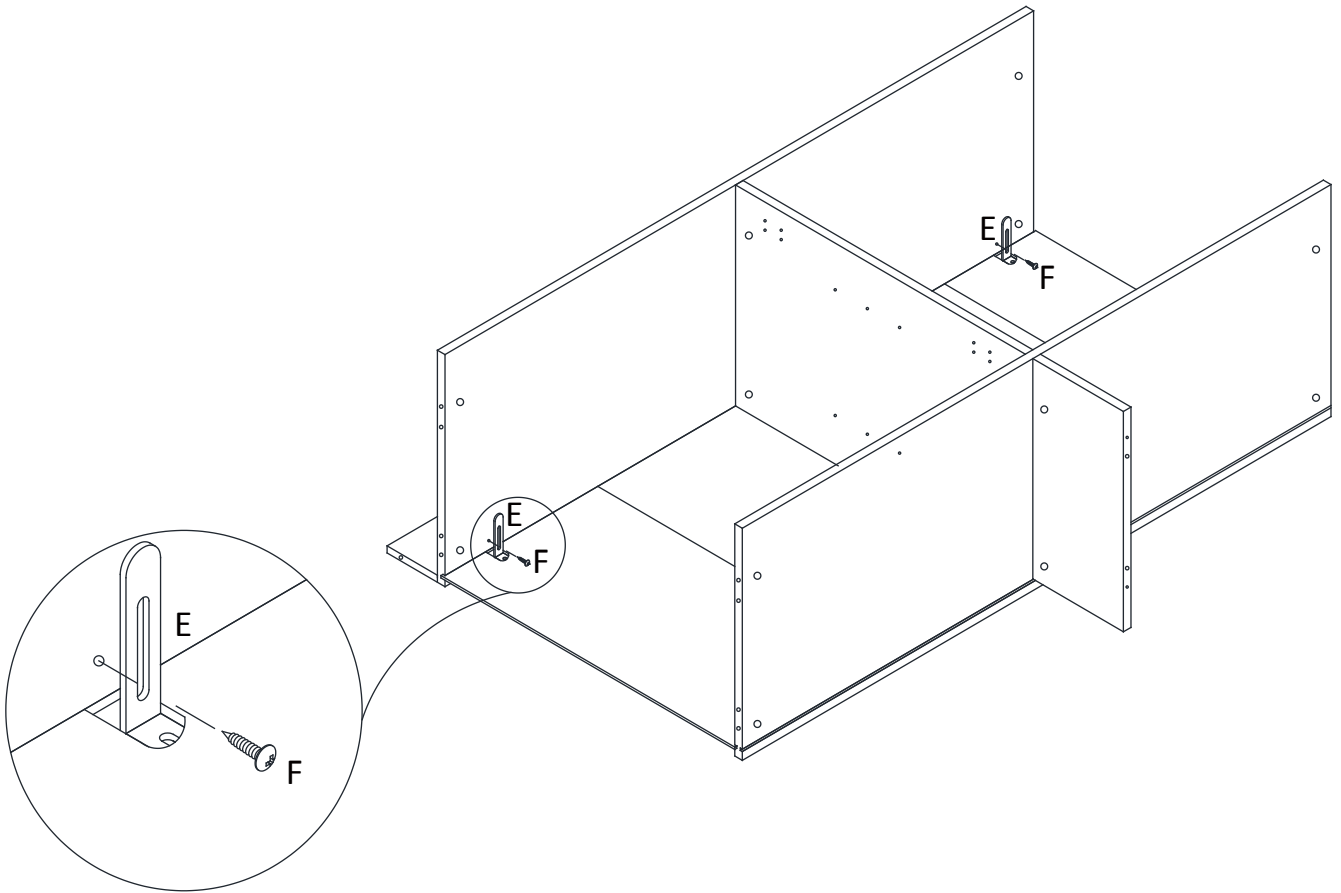
6



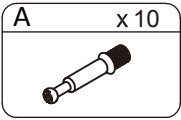
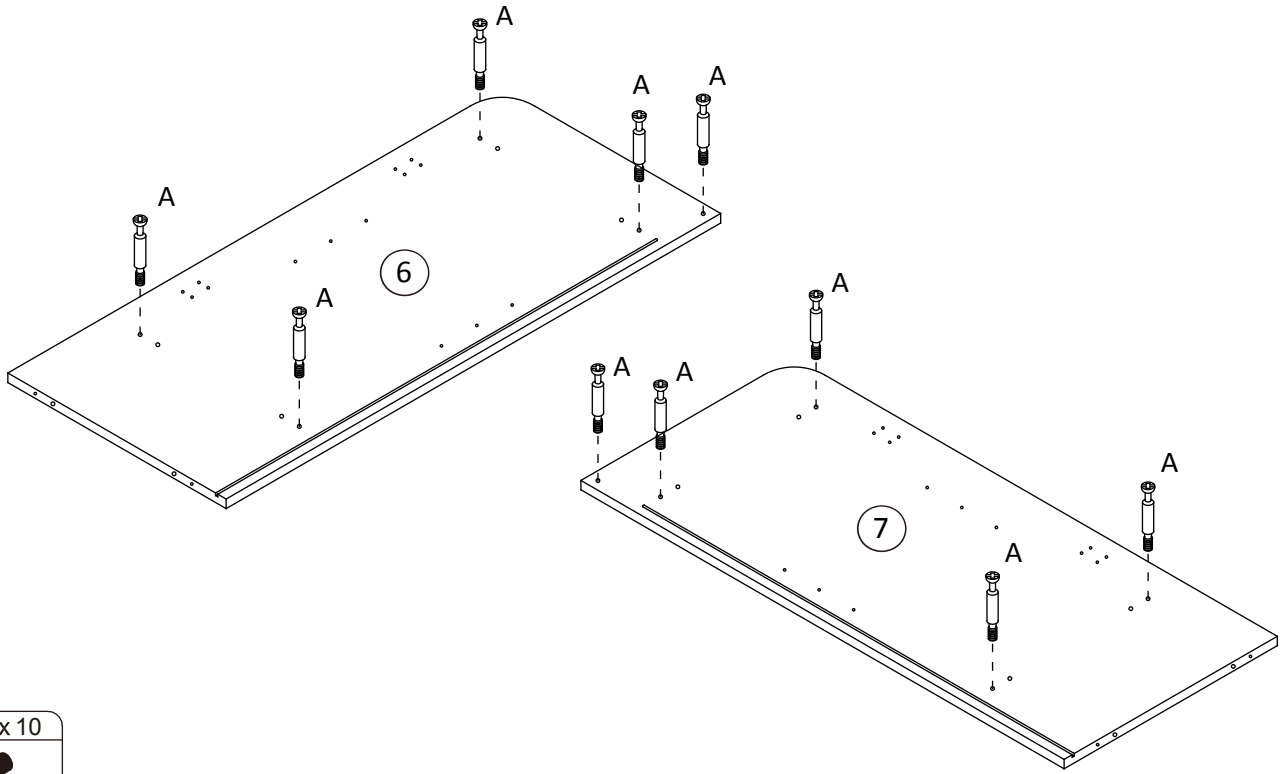
7



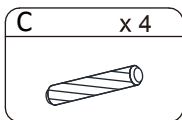
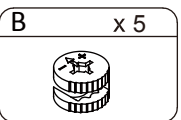
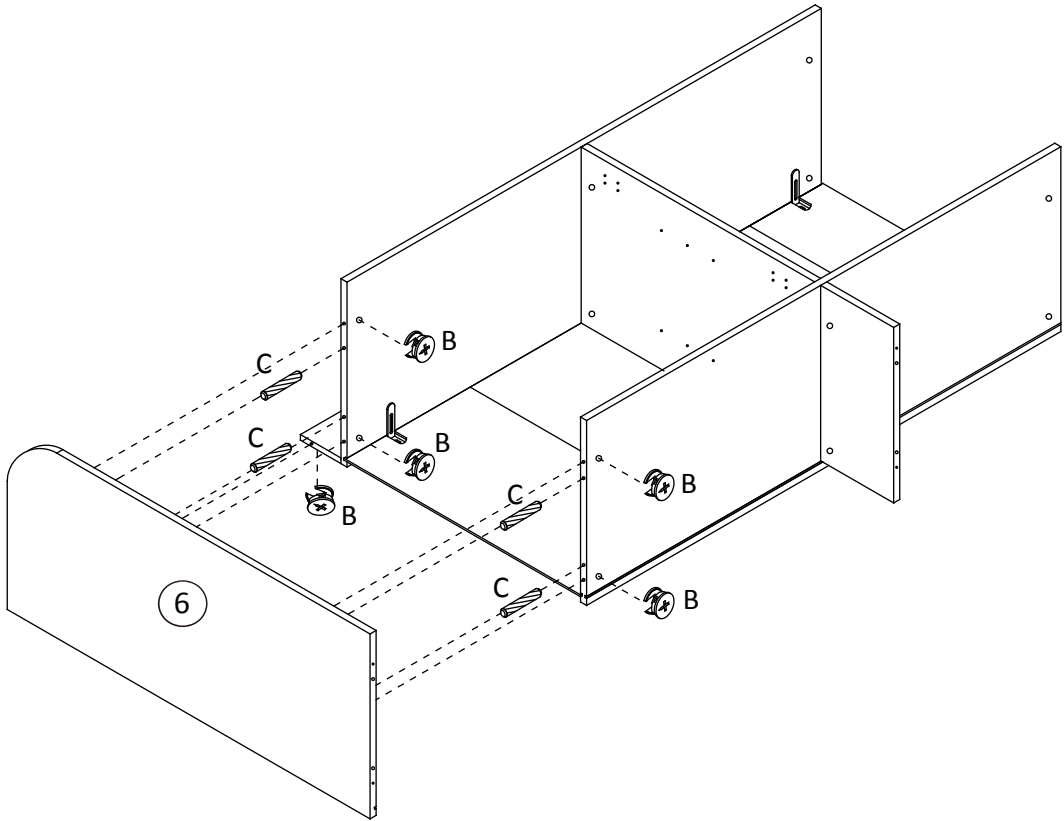
8



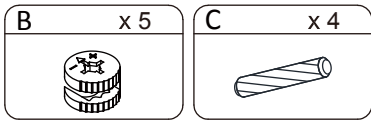
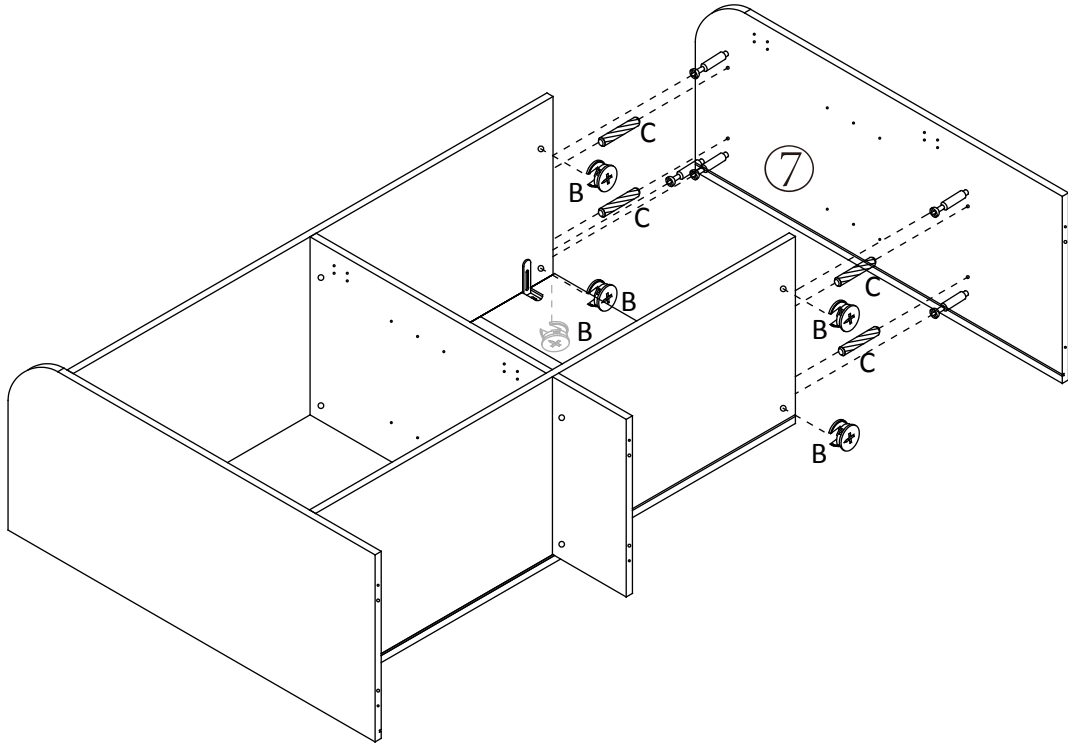
9



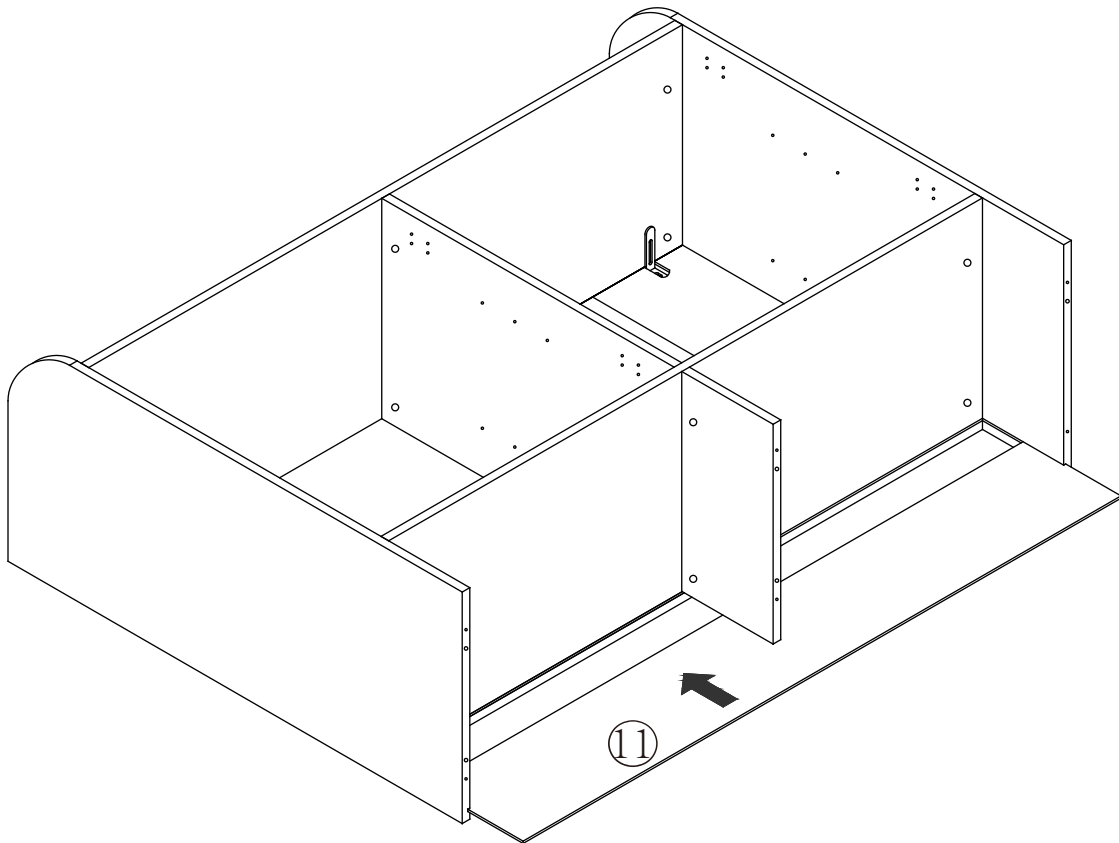
10



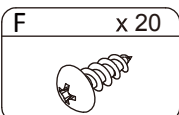
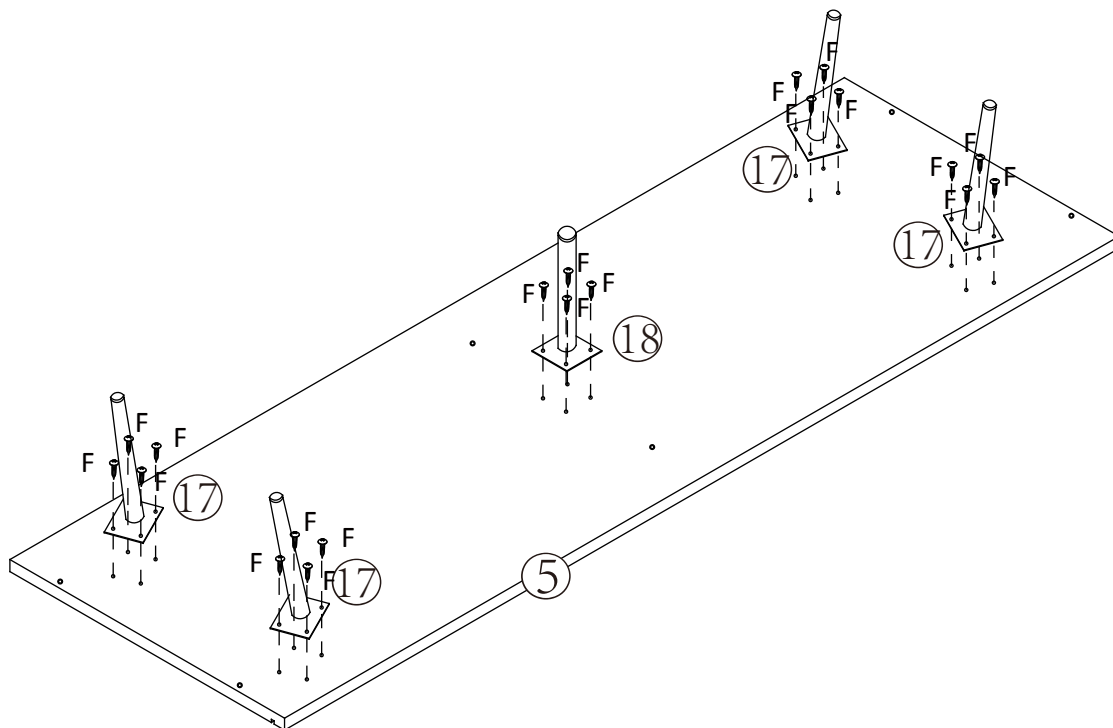
11



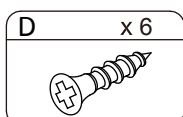
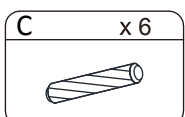
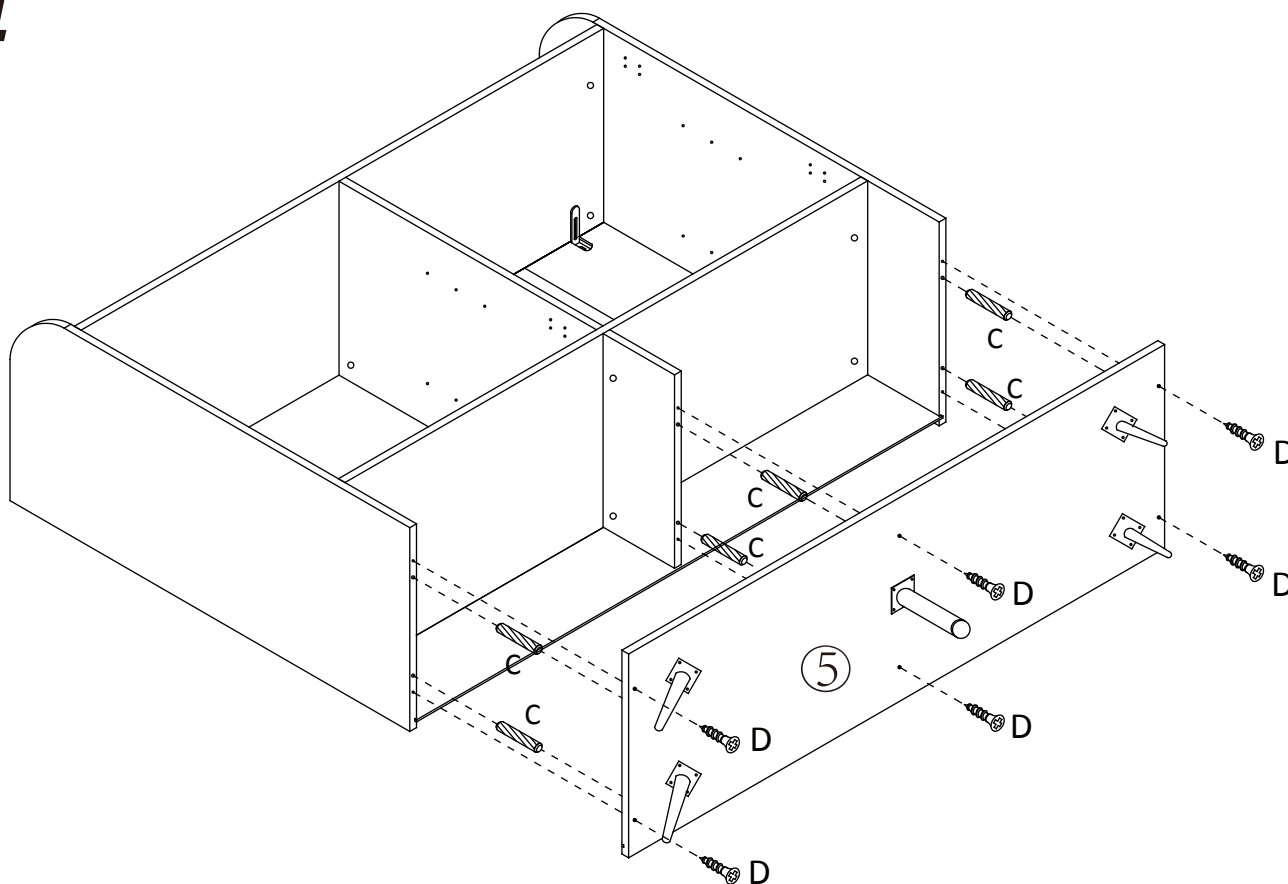
12



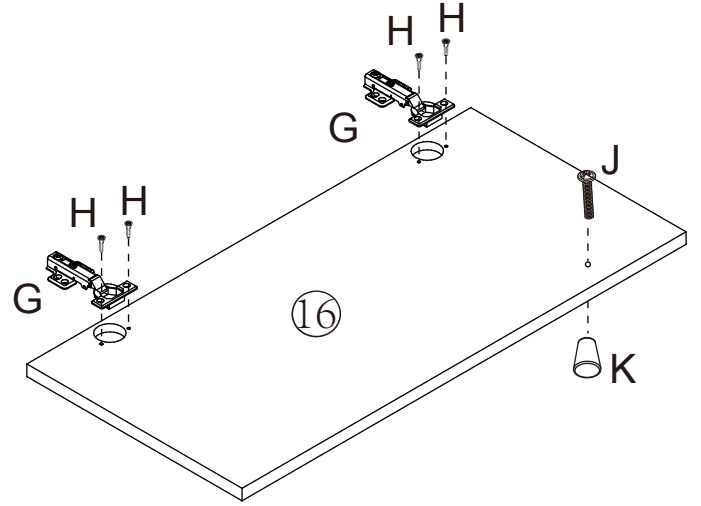
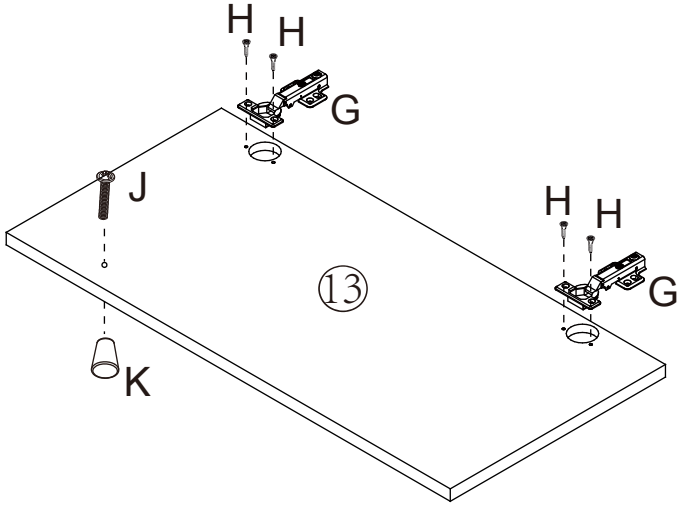
13

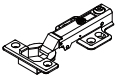





14

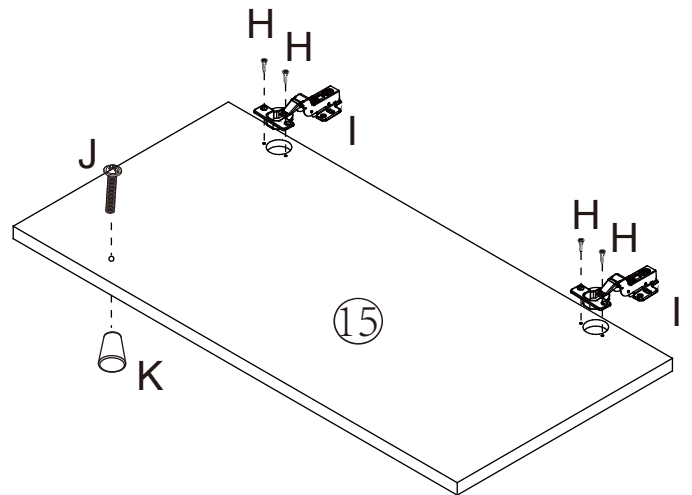
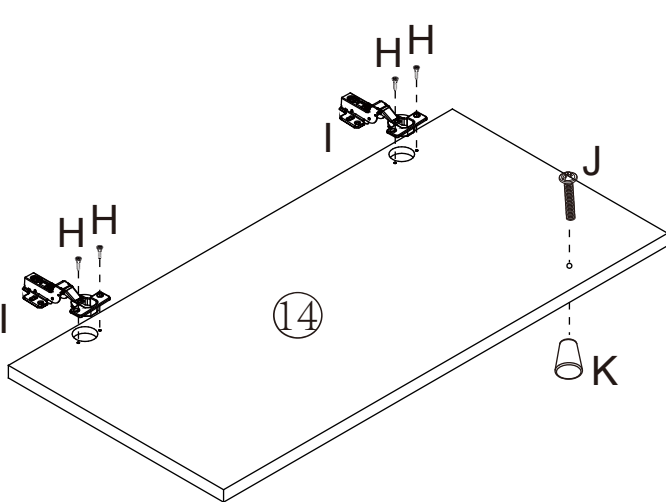


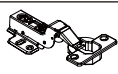



15



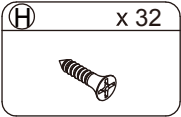
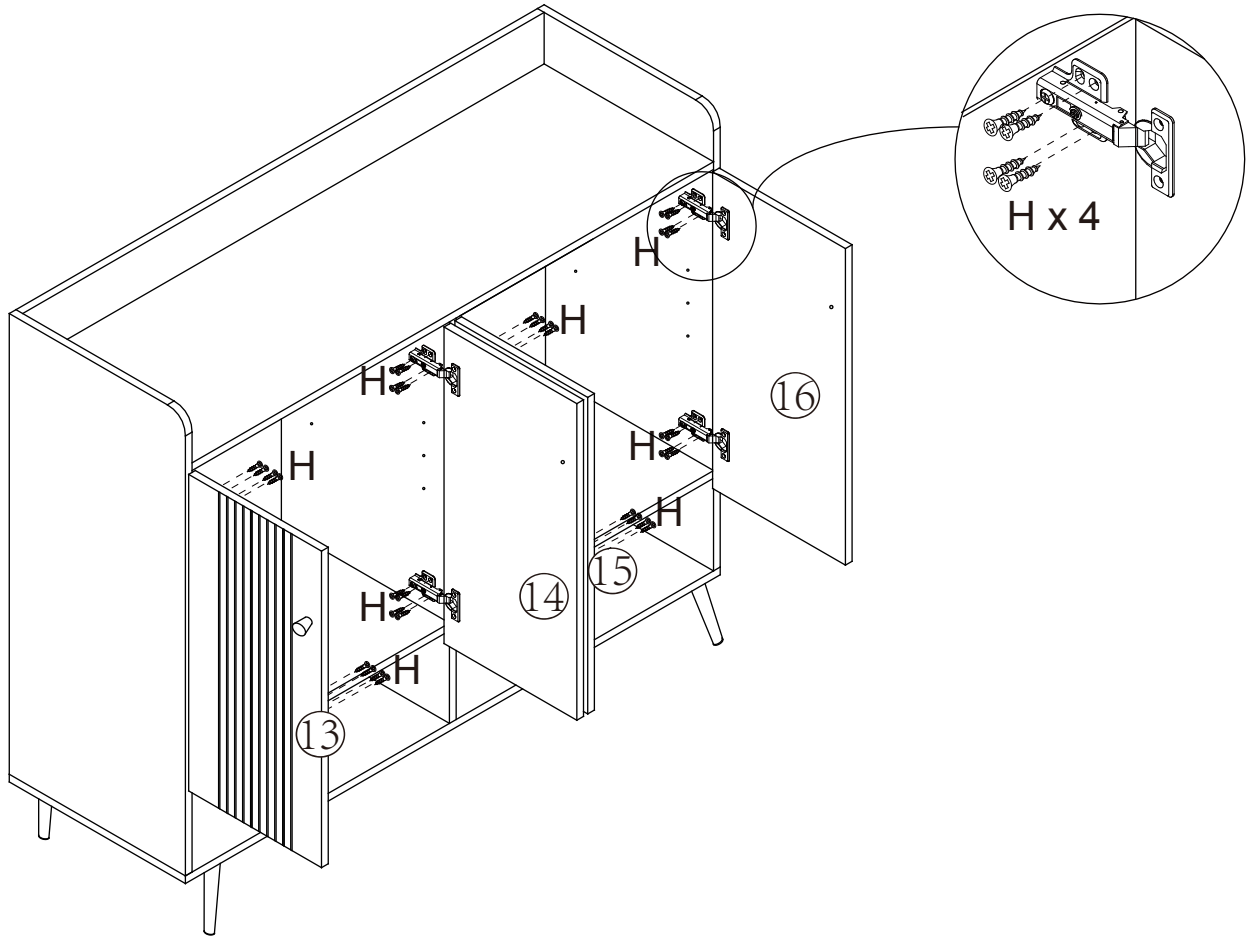
G	x 4	H	x 8	J	x 2	K	x 2
							

16

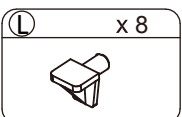
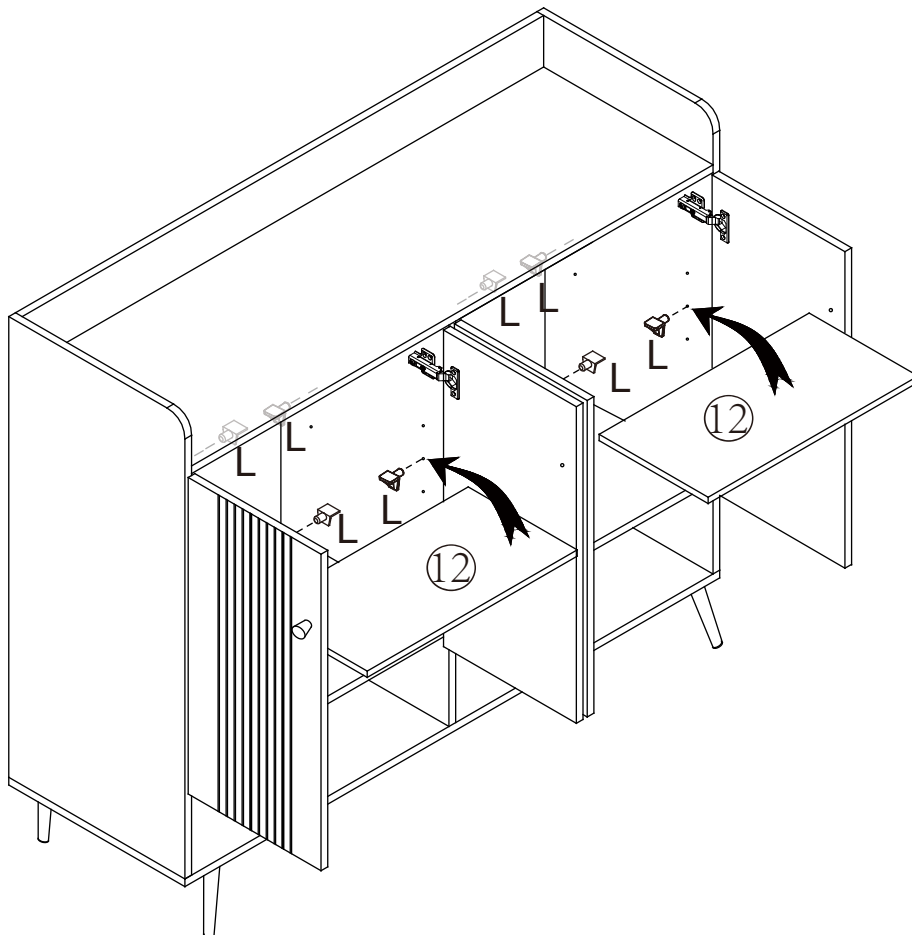


I	x 4	H	x 8	J	x 2	K	x 2
							

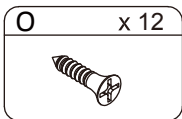
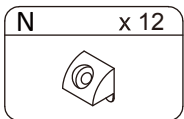
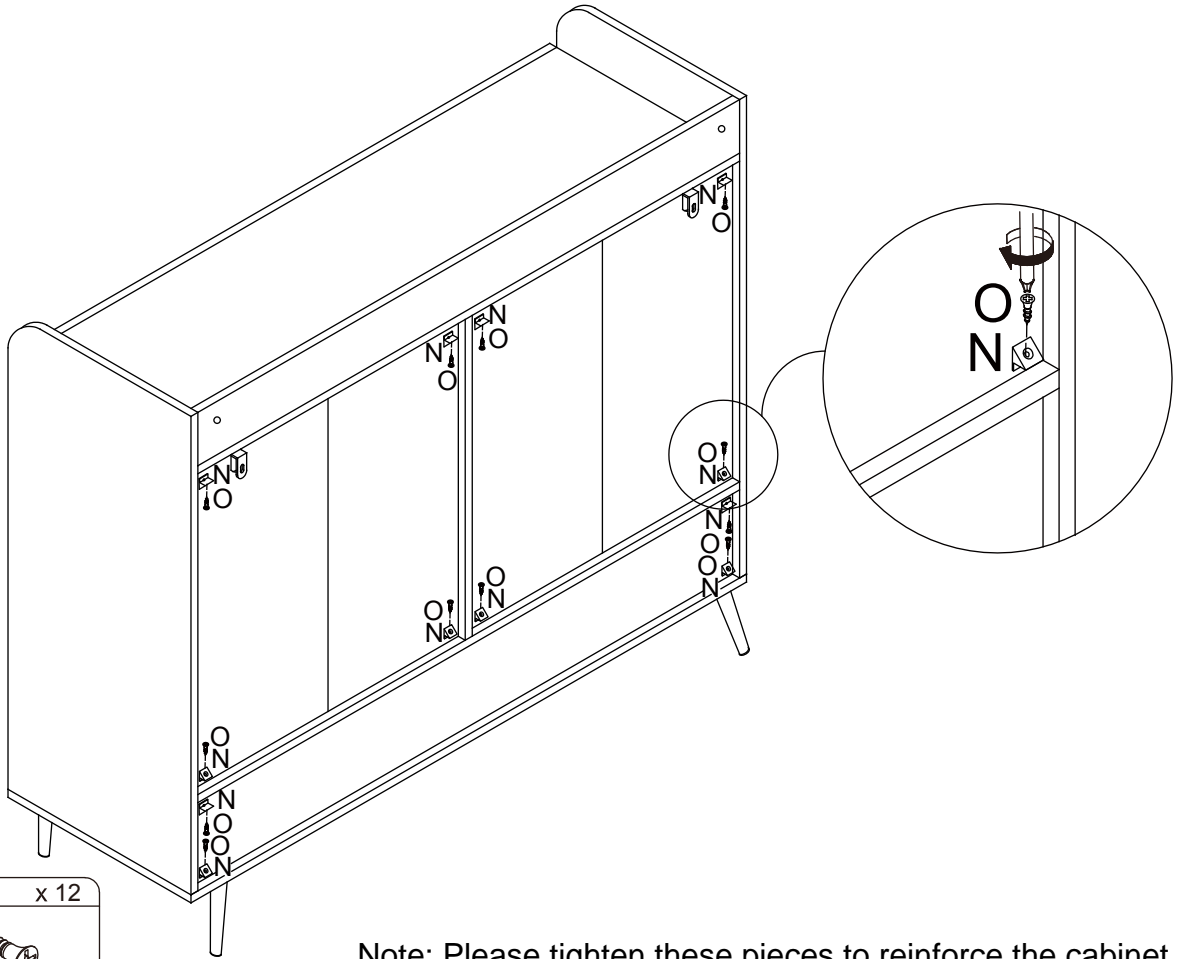
17



18

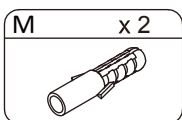
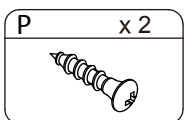
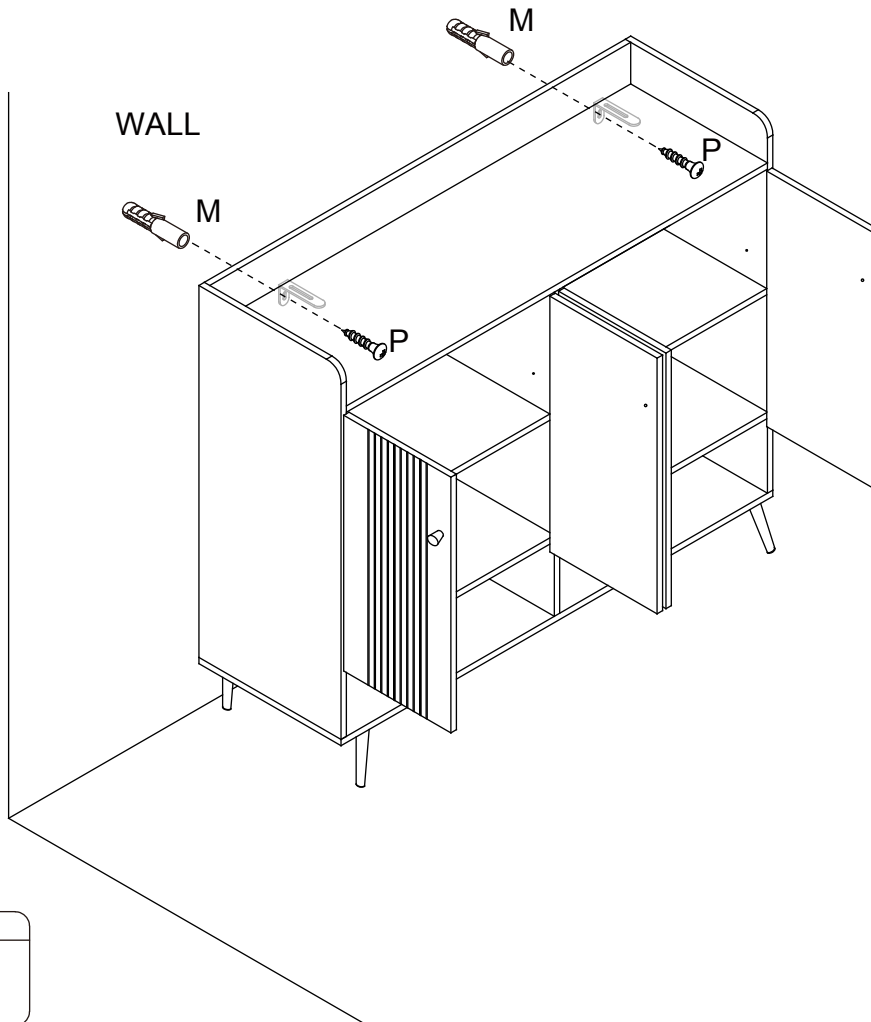


19



Note: Please tighten these pieces to reinforce the cabinet.

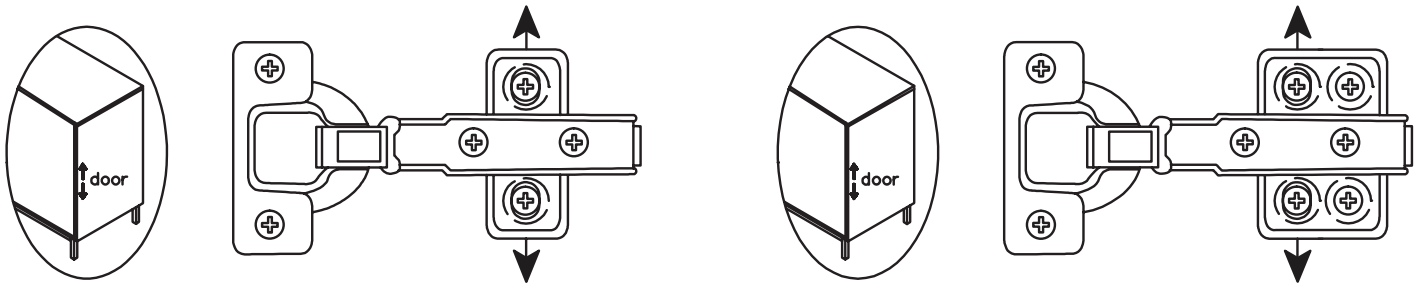
20



Is your cabinet door looking crooked or unevenly spaced?

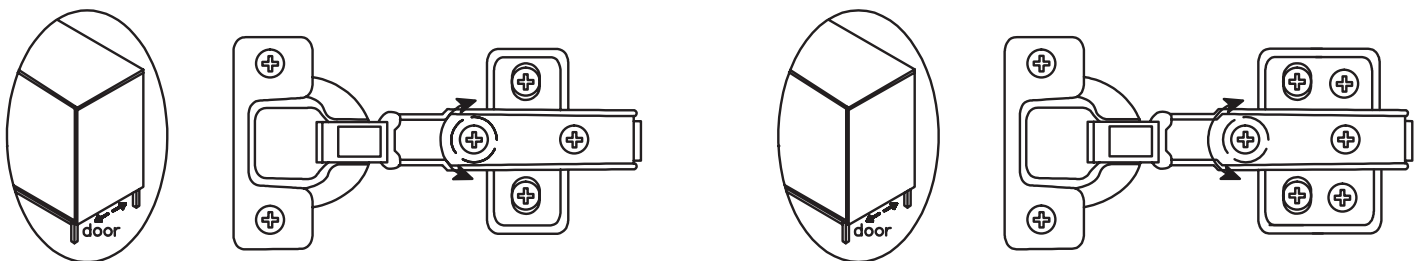
Then you've come to the right place. Follow the illustrations below to get your cabinet door aligned and ready for action.

If your door is too low or too high...



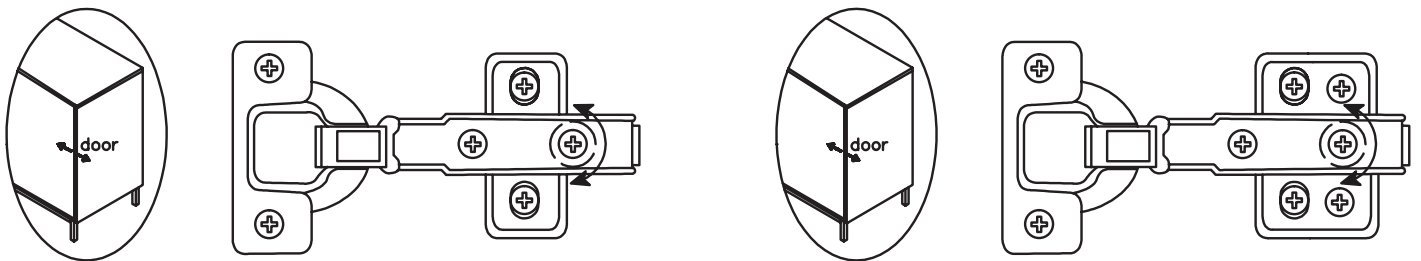
Loosen the height screws, then move the door up or down to make it level.

If the space between your doors is off...



Loosen the side-to-side screws, then screw counter-clockwise to make the gap wider or clockwise to close any gaps.

If you need to adjust the depth of the doors...



Adjust the in-and-out screws until the door is aligned with the side of the cabinet.

WALL FIXING GUIDE

NOTE: Supplied wall plugs are only suitable for use in masonry walls.

If you have any doubts about using the correct plug for your wall, please seek professional advice. Failure of the product due to using incorrect fixings is the responsibility of the installer.



IMPORTANT:

When drilling into walls, always check for hidden wires or pipes, etc.



Tips & Tricks

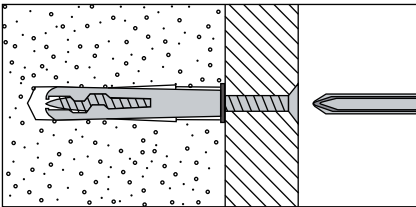
Make sure that the hardware used is suitable for supporting your unit.

Please consult a qualified trades person if unsure.

- ☑ If you are unsure, please select a larger screw and wall plug.
- ☑ Ensure that you use the recommended drill bit to match the wall plug and hole size.
- ☑ Take extra care when drilling high walls, ceiling and ceramic tiles. Ensure wall plugs are inserted beyond the thickness of the ceramic tiles to avoid splitting or cracking.
- ☑ Ensure that wall plugs are well fitted and are a tight fit in the drilled hole.

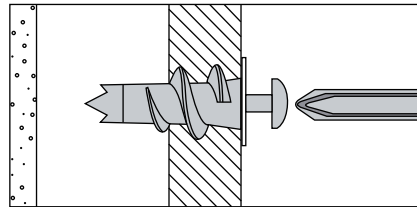
Types of Walls

Use one of the following types of wall plug (not included) if your walls are made of brick, breeze block, concrete, stone or wood. Screws may be able to be fixed directly to solid wood walls as they will provide a secure anchor point.



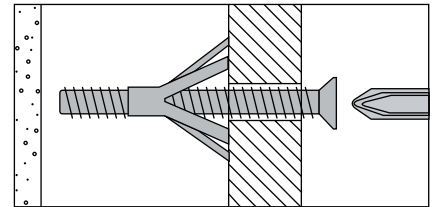
1. General Purpose Wall Plug

Generally, aerated blocks should not be used to support heavy loads, use a specialist fitting in this case. For light loads, general purpose wall plugs can be used.



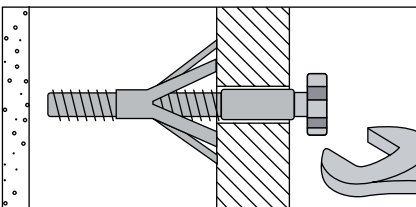
2. Plasterboard Wall Plug

For use when attaching light loads onto plasterboard partitions.



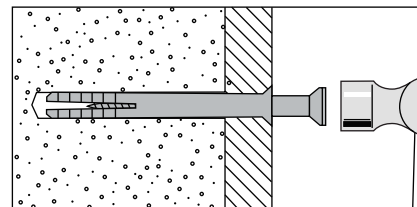
3. Cavity Fixing Wall Plug

For use with plasterboard partitions or hollow wooden doors.



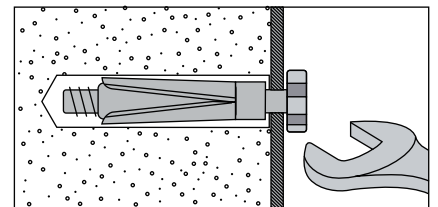
4. Cavity Fixing Heavy Duty Wall Plug

For use when fitting or supporting heavy loads such as shelving and wall cabinets.



5. Hammer Fixing Wall Plug

For use with concrete block or brick walls, or walls stuck with plasterboard. The hammer fixing allows it to be fixed to the wall rather than the plasterboard. Always check the fixing is secure to the retaining wall.



6. Shield Anchor Wall Plug Heavy Loads

For use with concrete or brick walls, or for use with heavier loads such as TV & HiFi speakers and satellite dishes, etc.