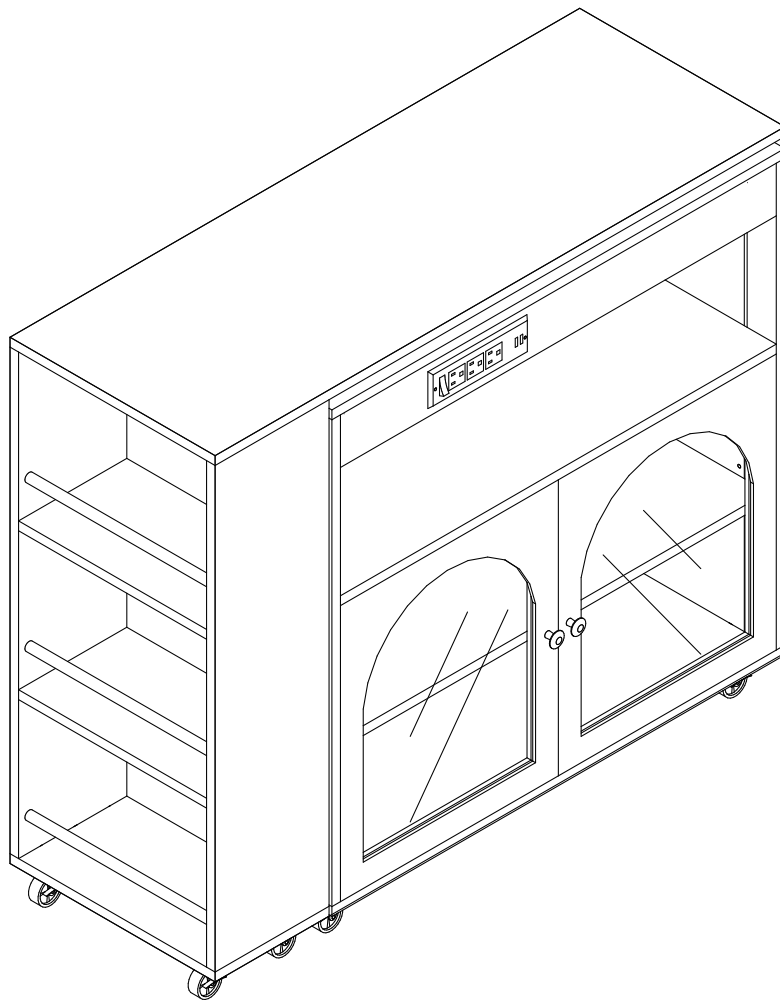
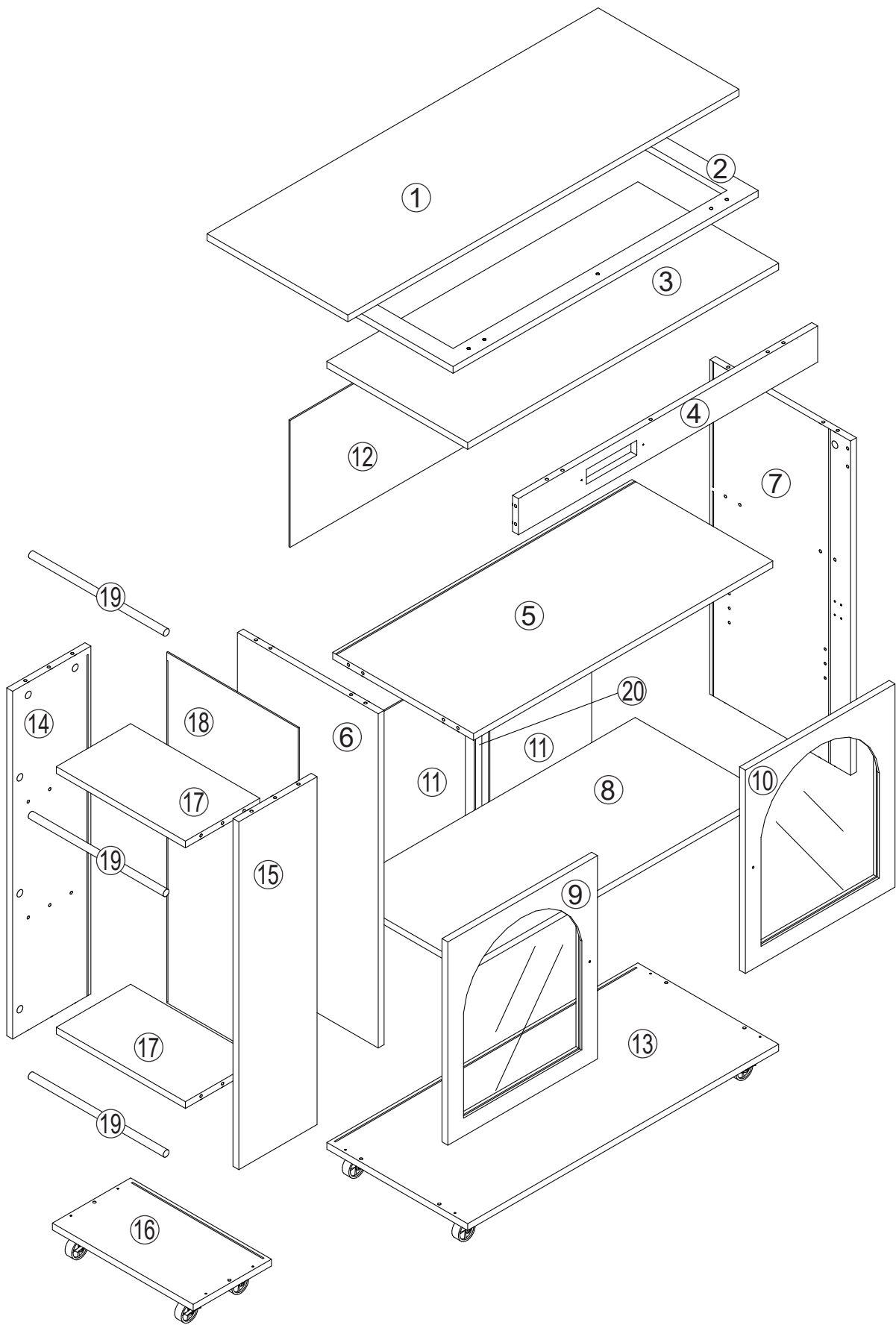
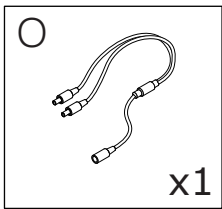
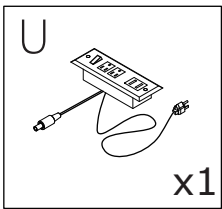
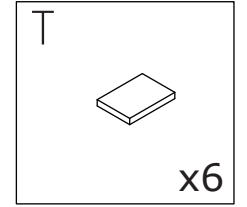
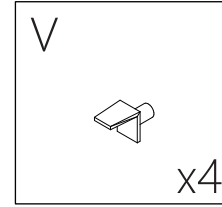
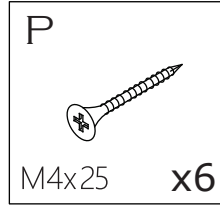
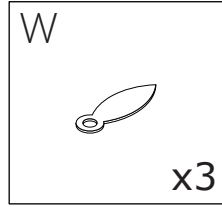
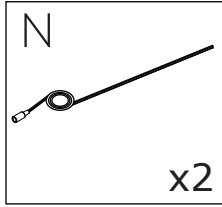
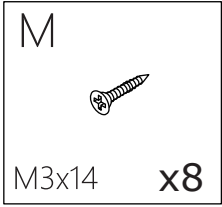
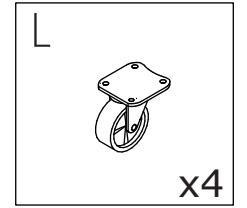
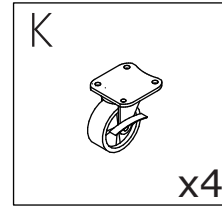
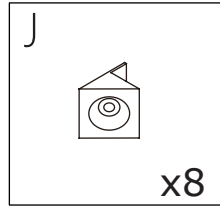
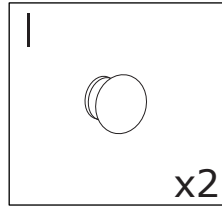
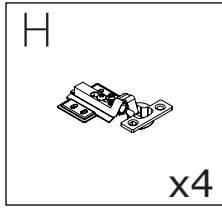
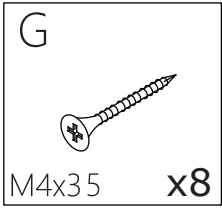
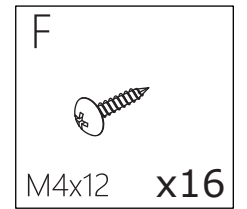
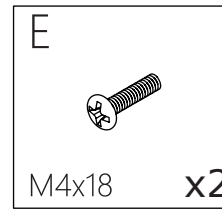
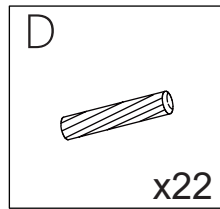
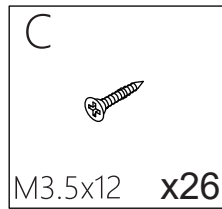
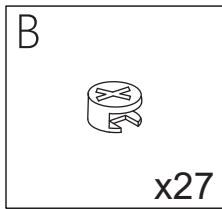
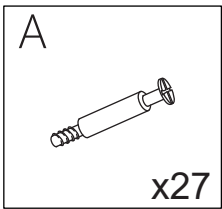


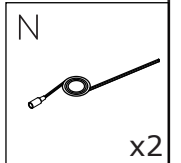
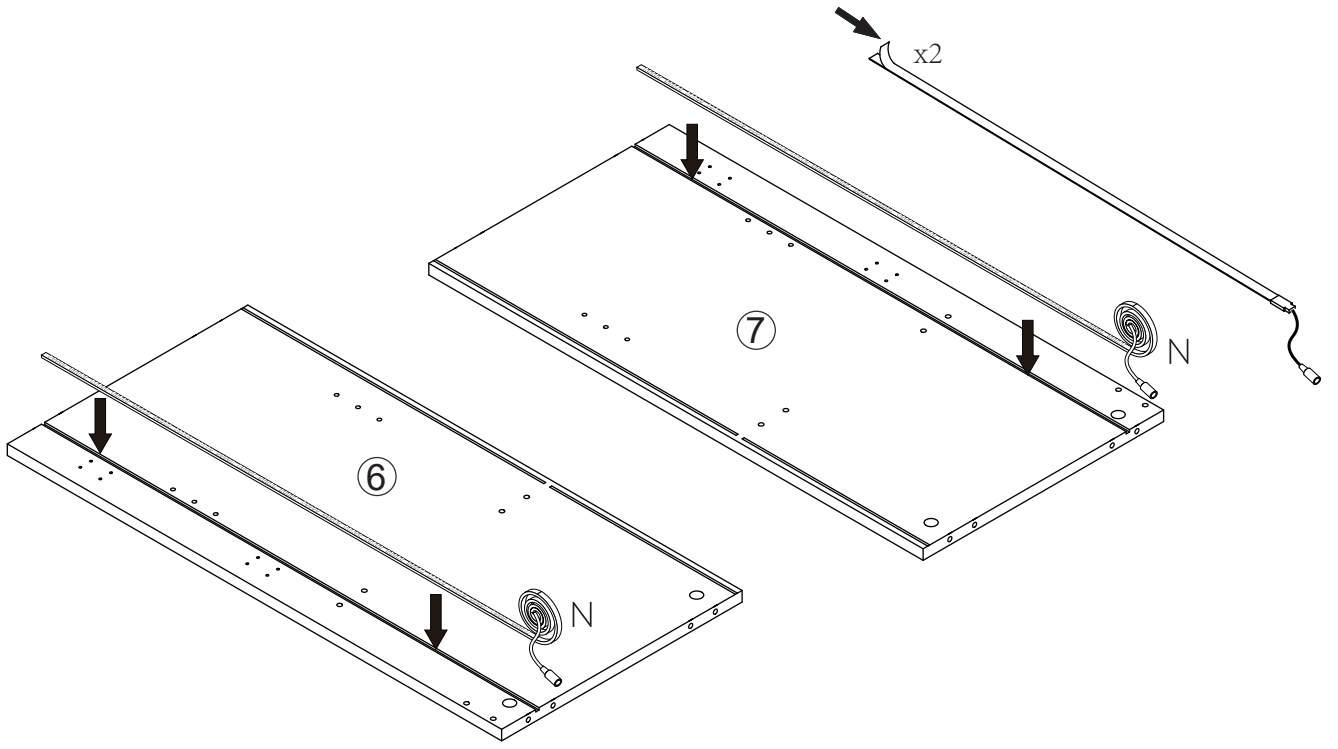
# ASSEMBLY INSRTRUCTION



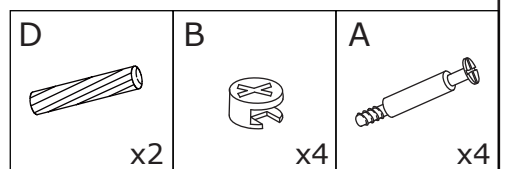
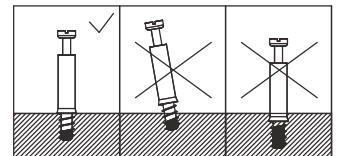
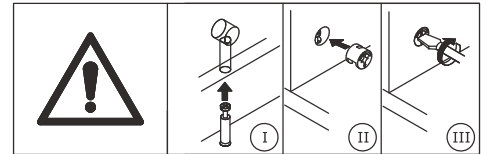
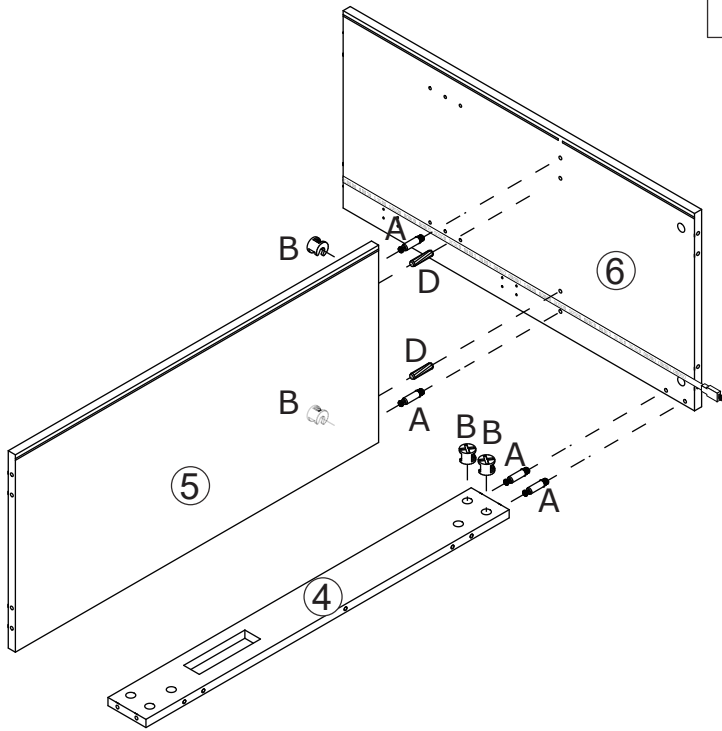




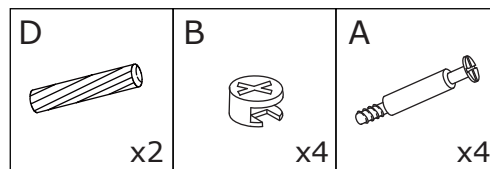
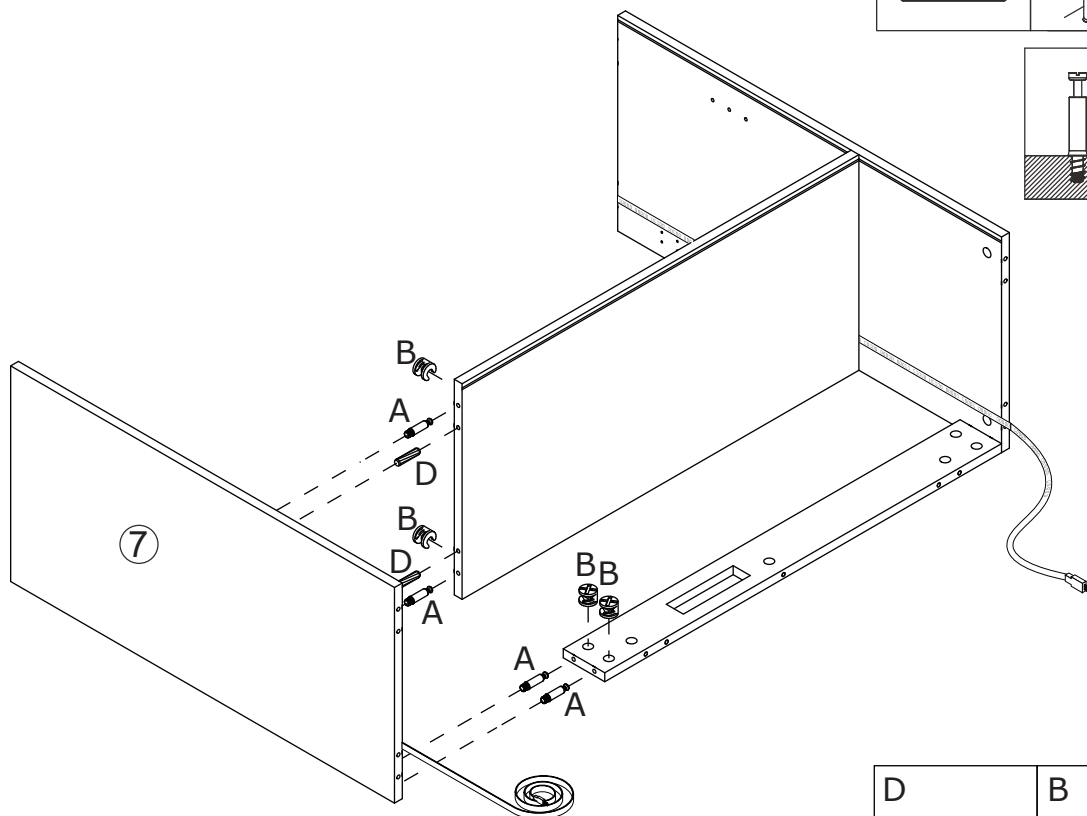
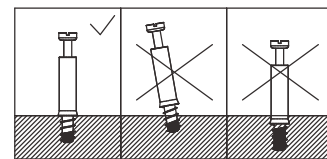
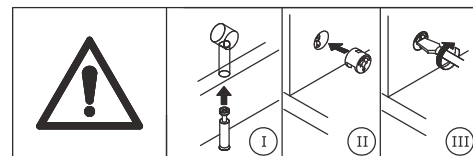
1



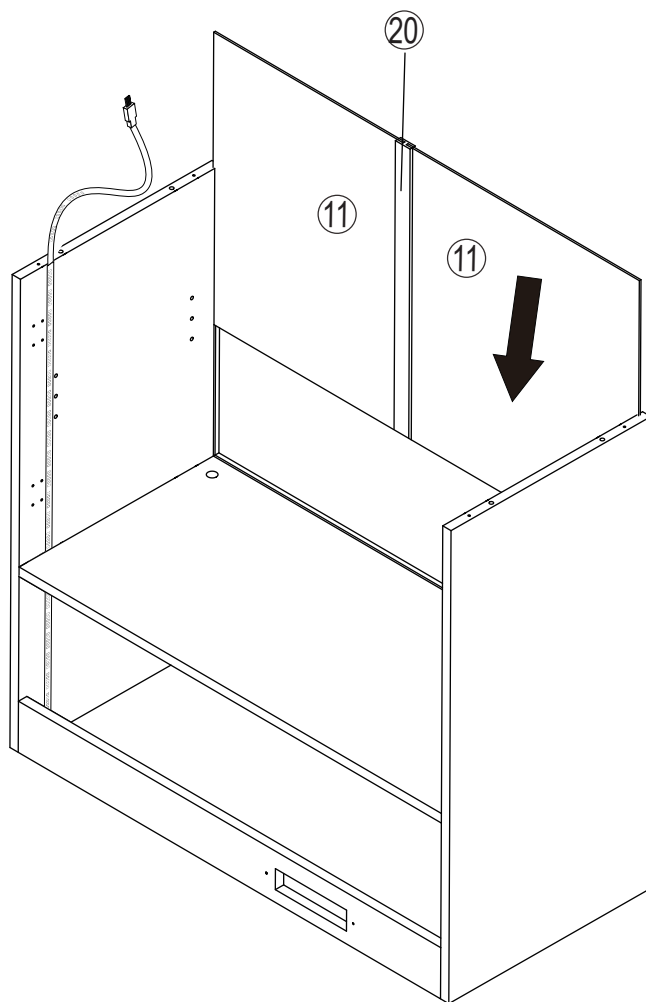
2



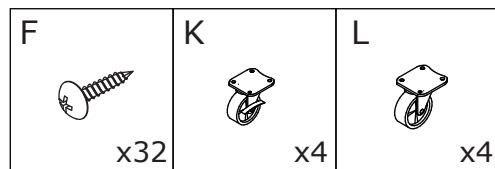
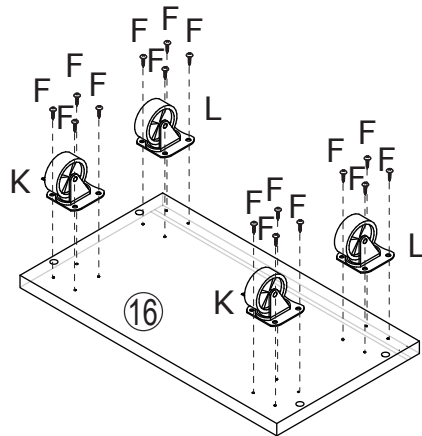
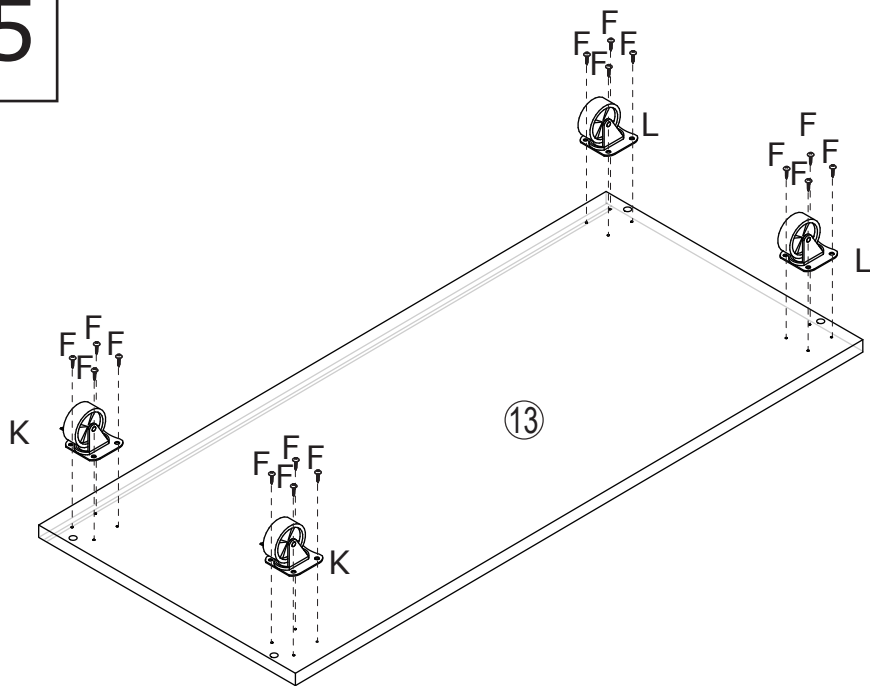
3



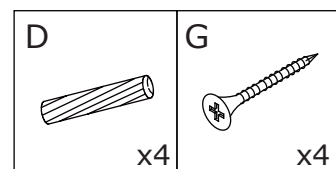
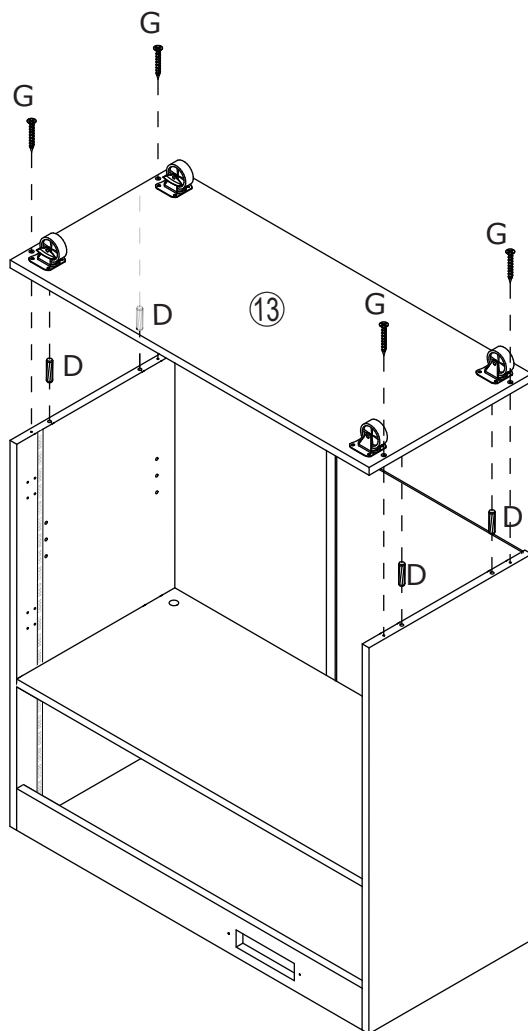
4



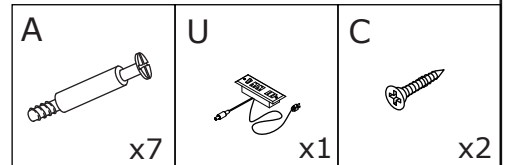
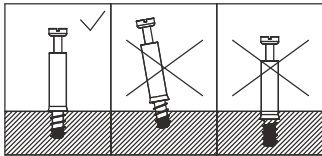
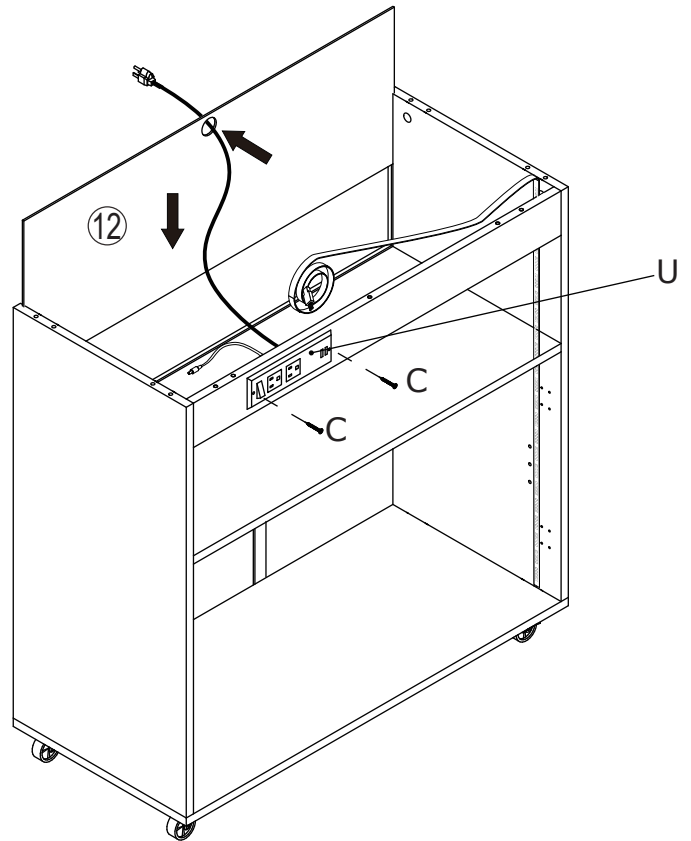
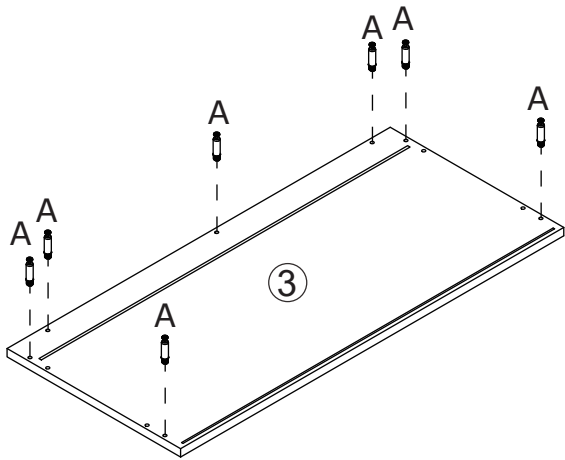
5



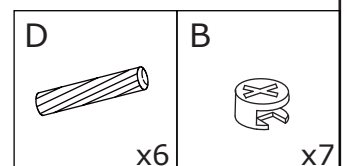
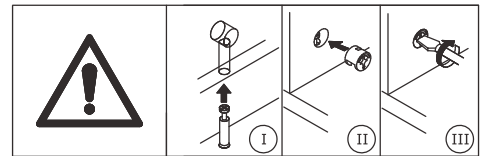
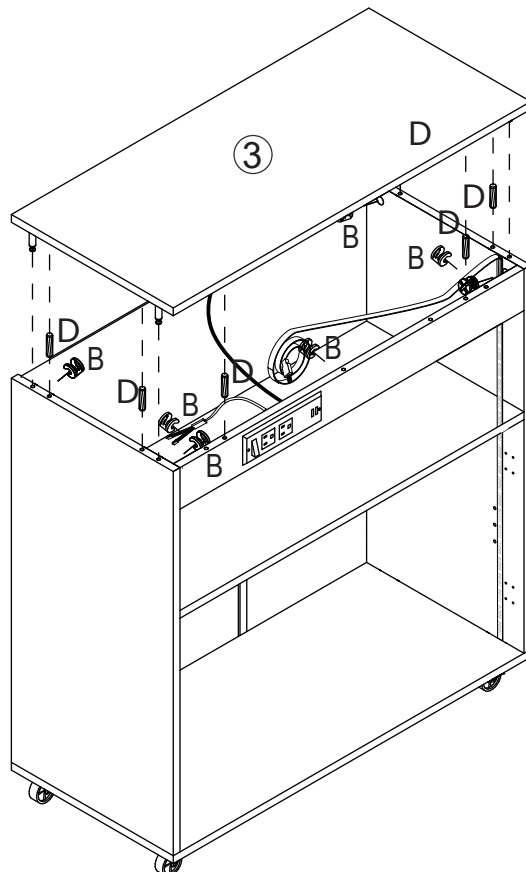
6



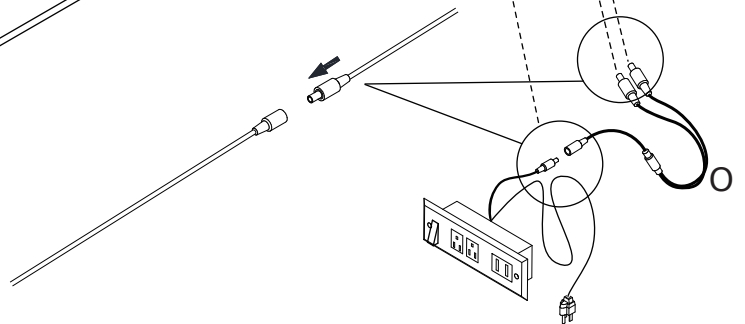
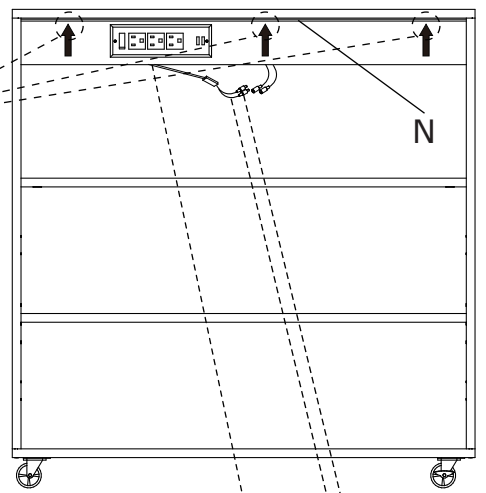
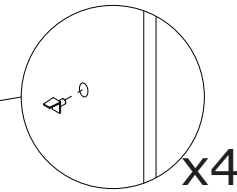
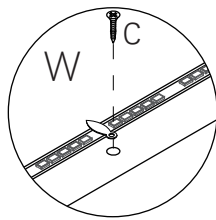
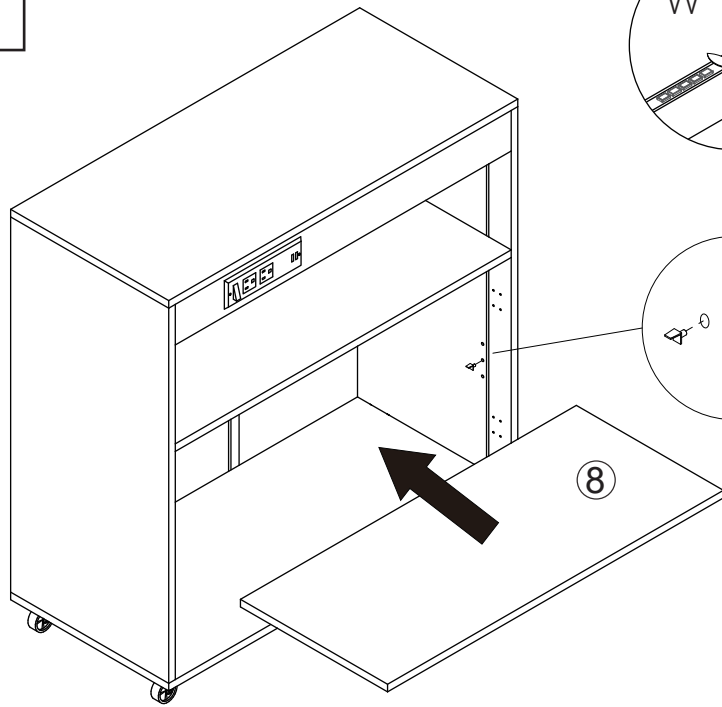
7



8

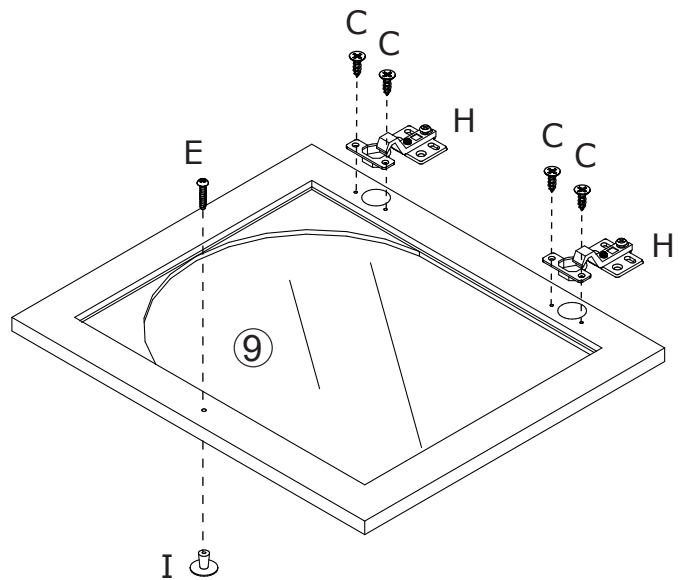
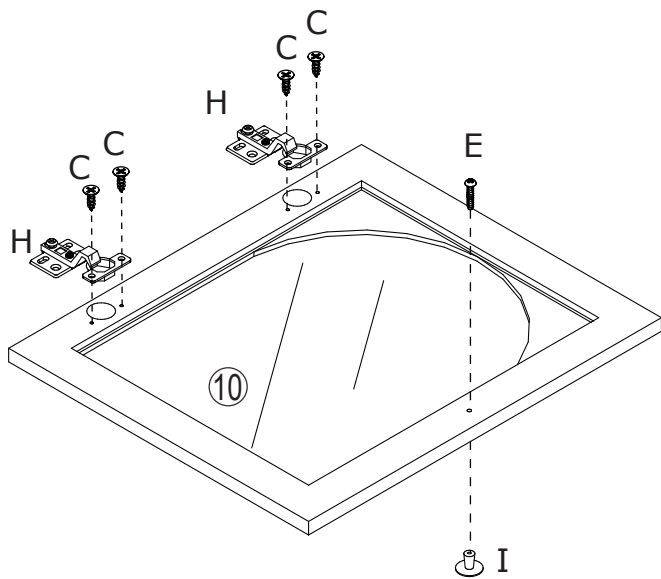


9



<p>O</p> <p>x1</p>	<p>C</p> <p>x3</p>	<p>W</p> <p>x3</p>	<p>V</p> <p>x4</p>
--------------------	--------------------	--------------------	--------------------

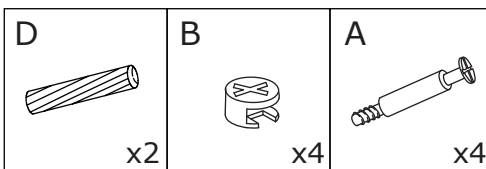
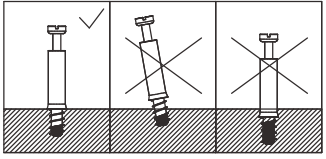
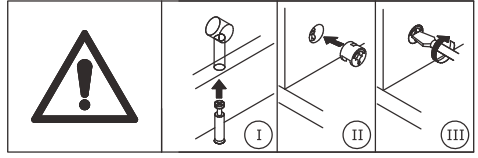
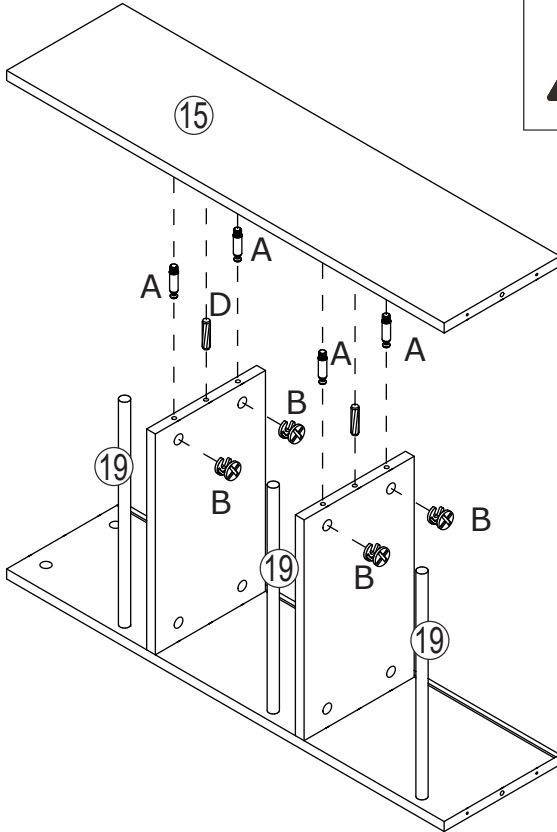
10



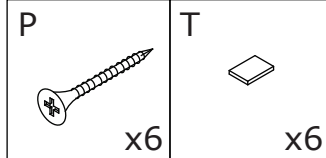
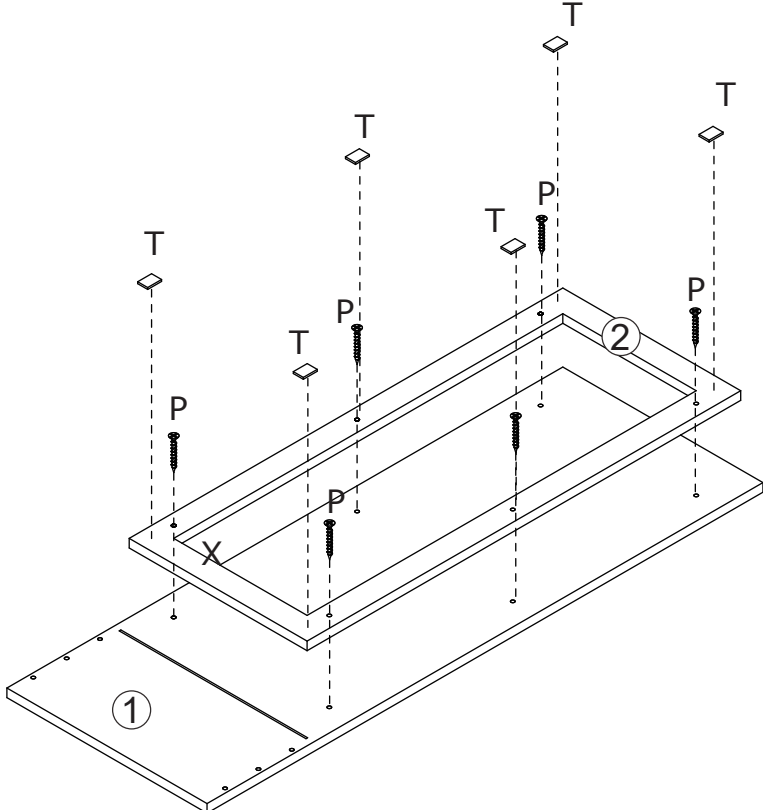
<p>C</p> <p>x8</p>	<p>E</p> <p>x2</p>	<p>I</p> <p>x2</p>	<p>H</p> <p>x4</p>
--------------------	--------------------	--------------------	--------------------



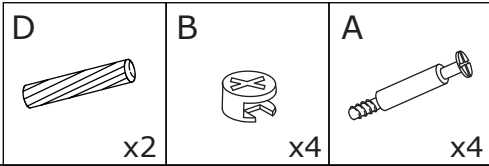
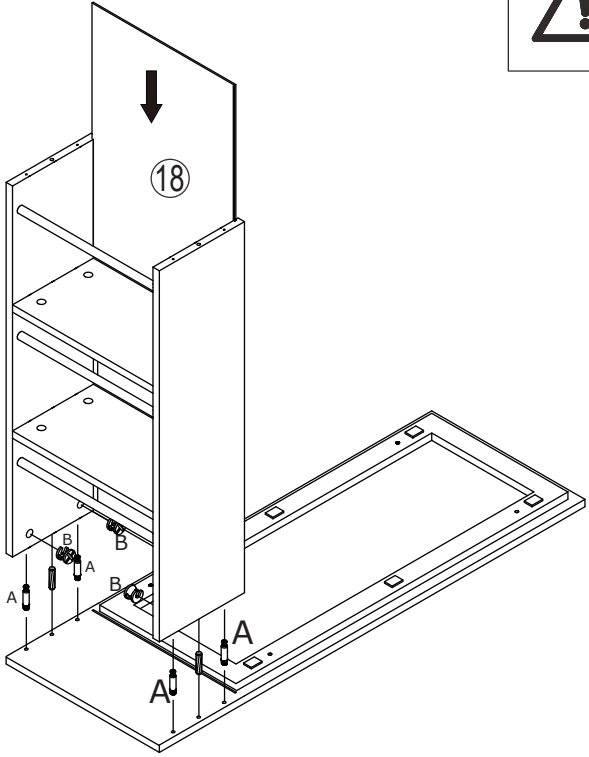
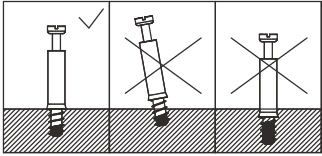
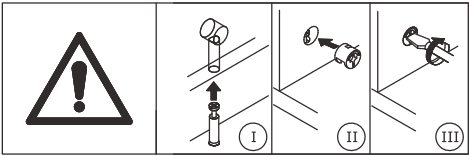
13



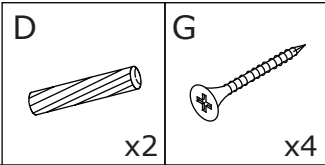
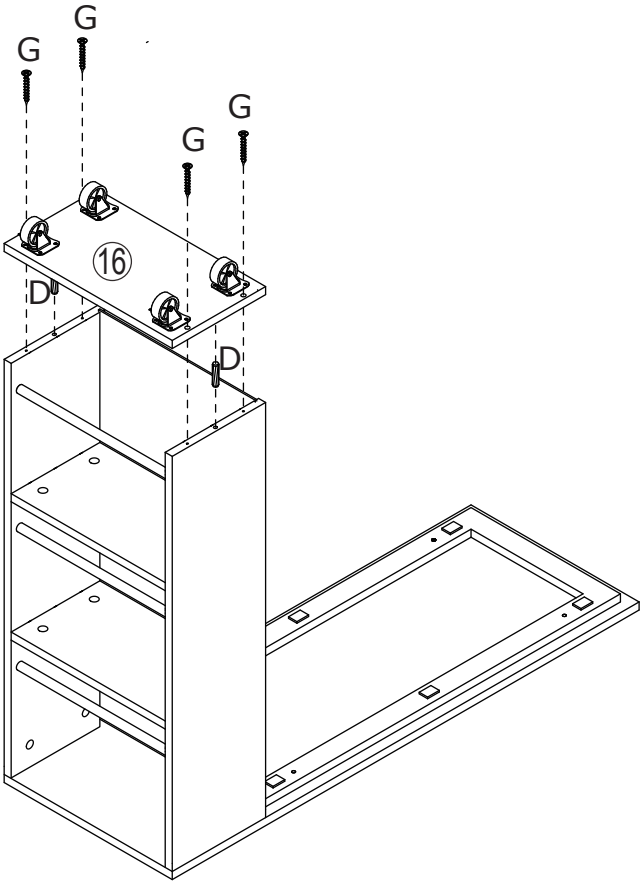
14



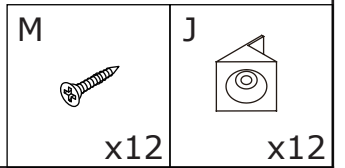
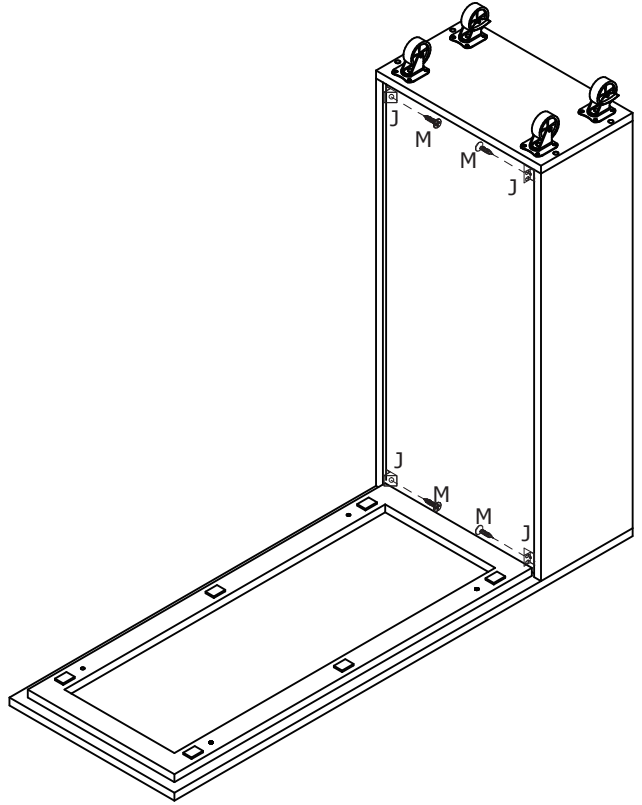
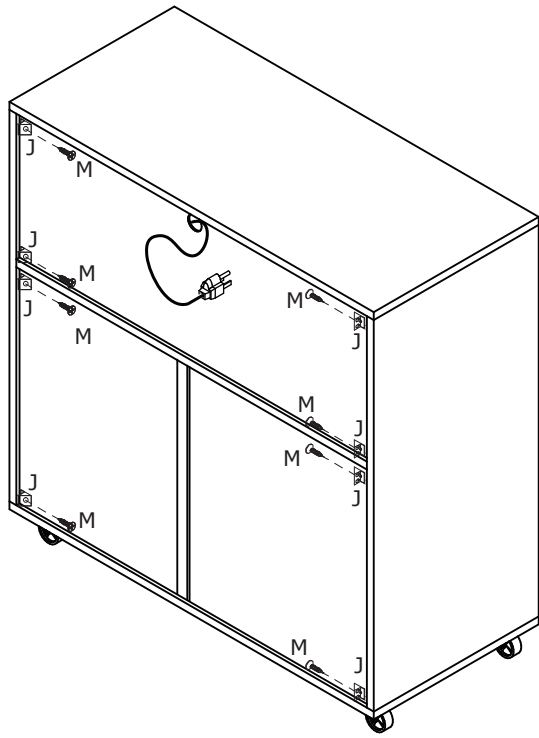
15



16



17



18

