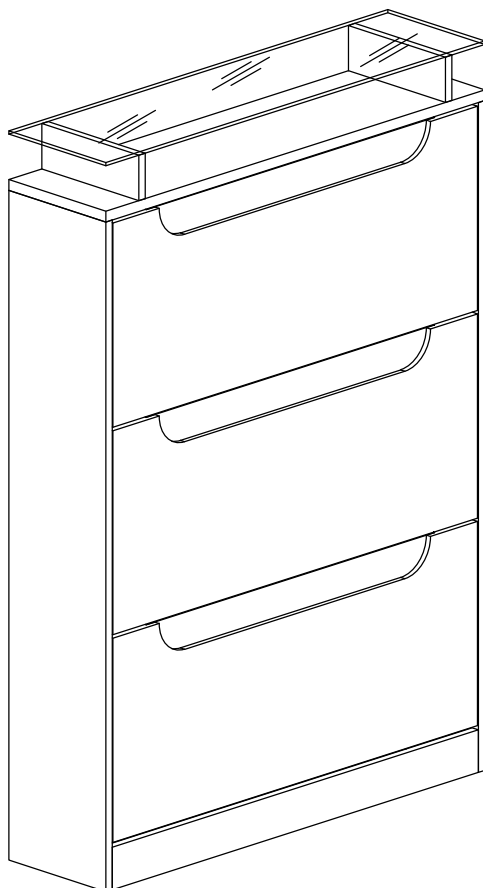


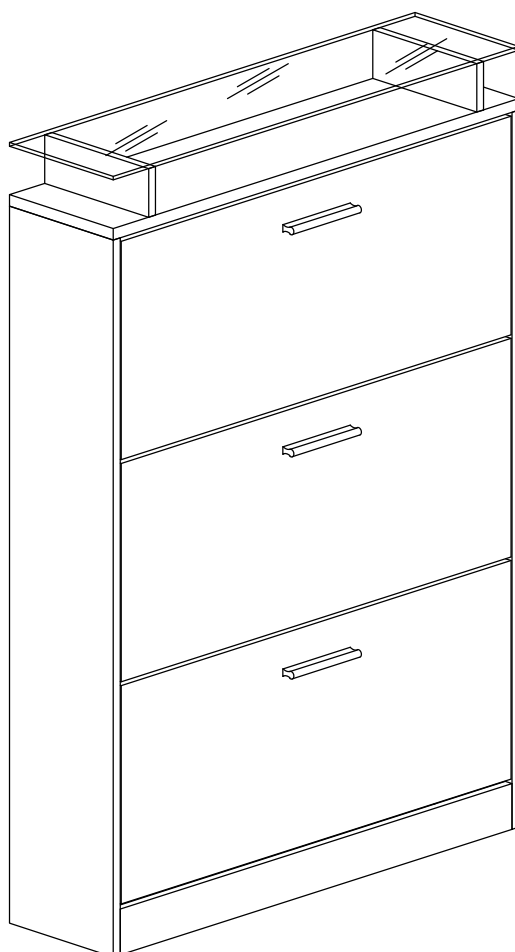
# SPACE



Space **1 - 8**

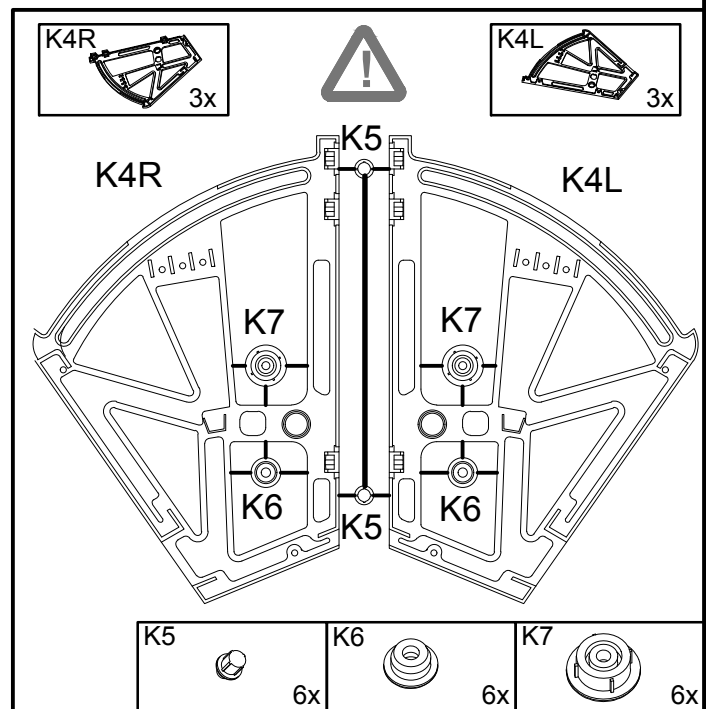
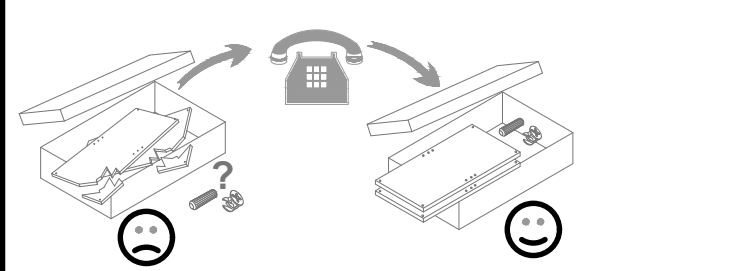
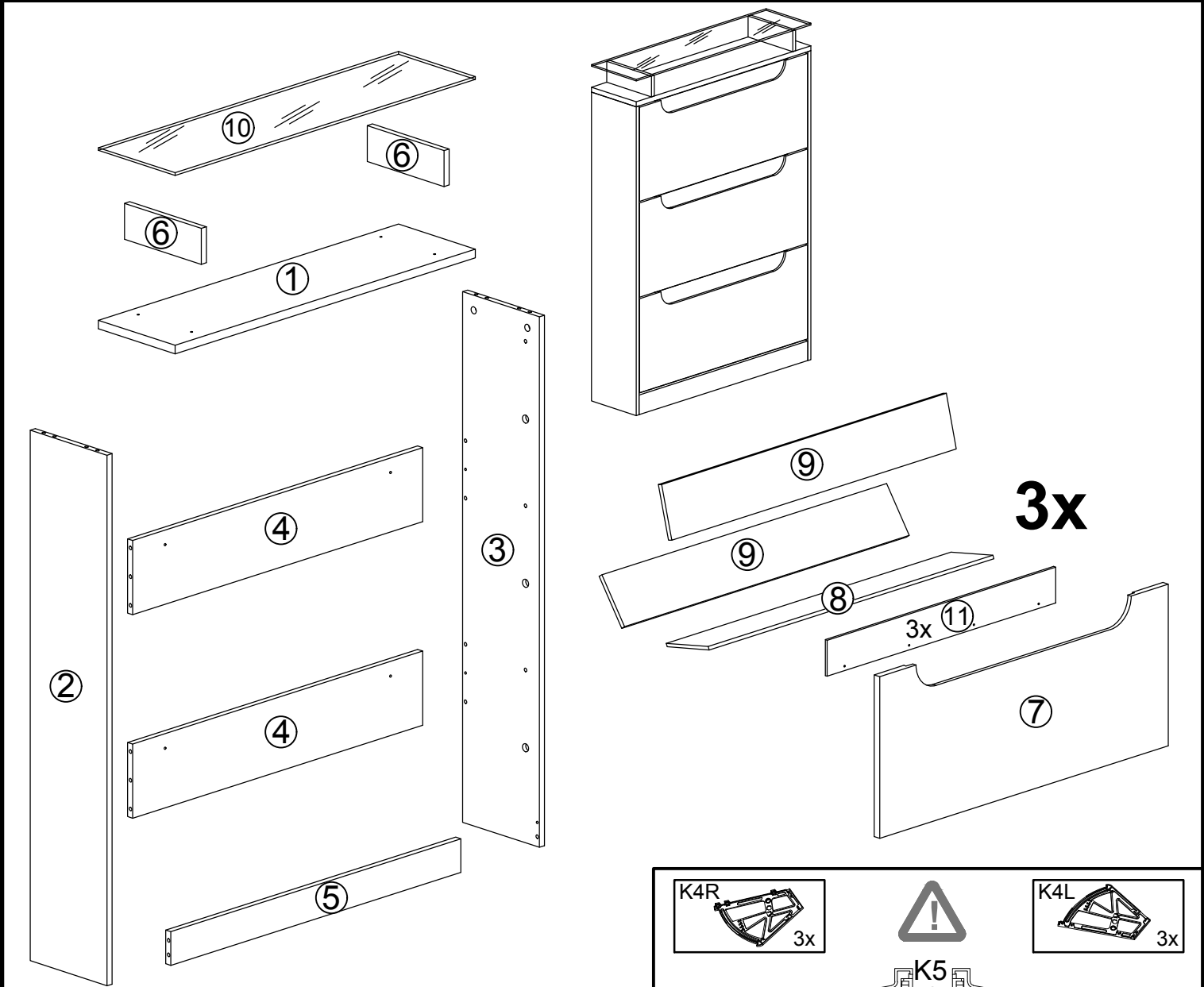
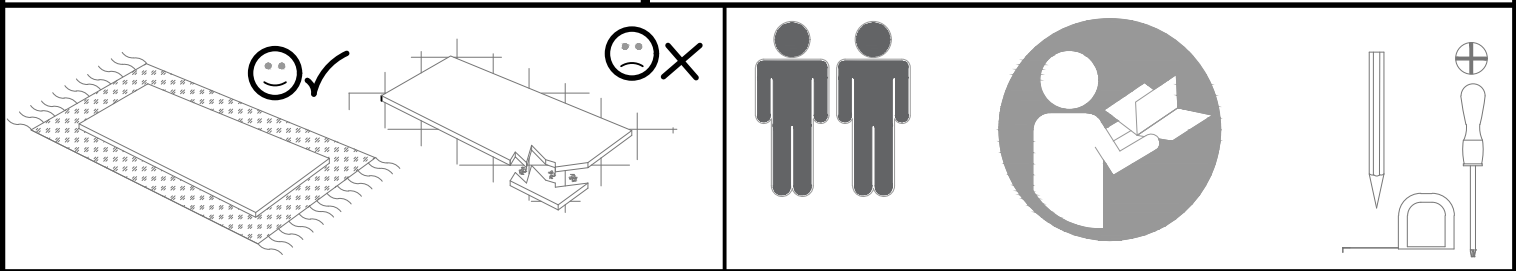
---

# LAVIA



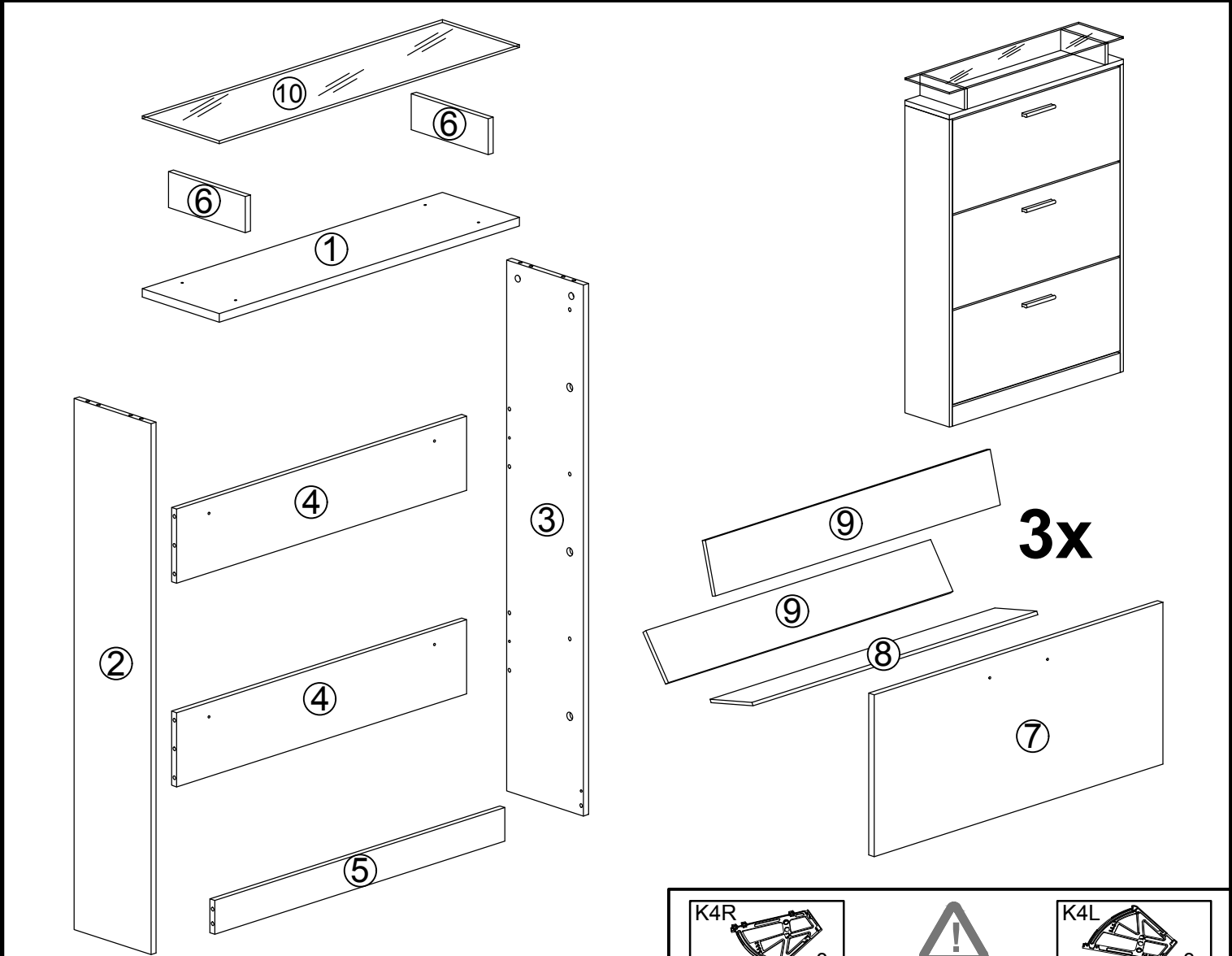
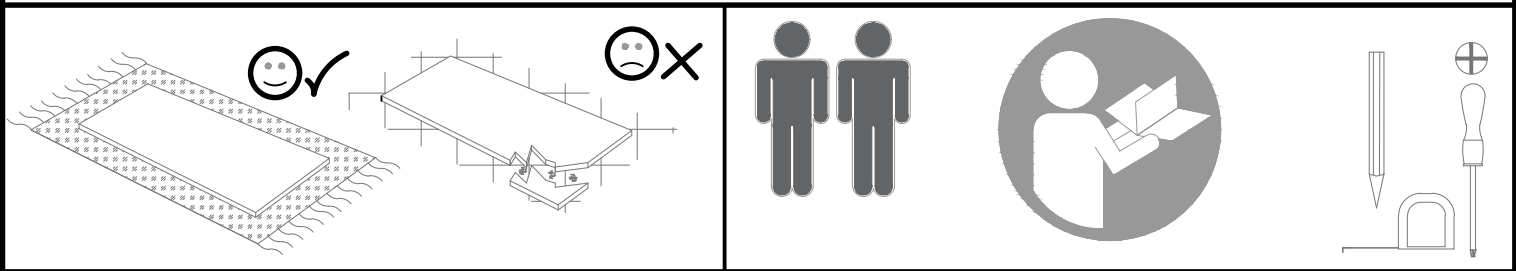
Lavia **1 - 4**

Lavia **9 - 11**

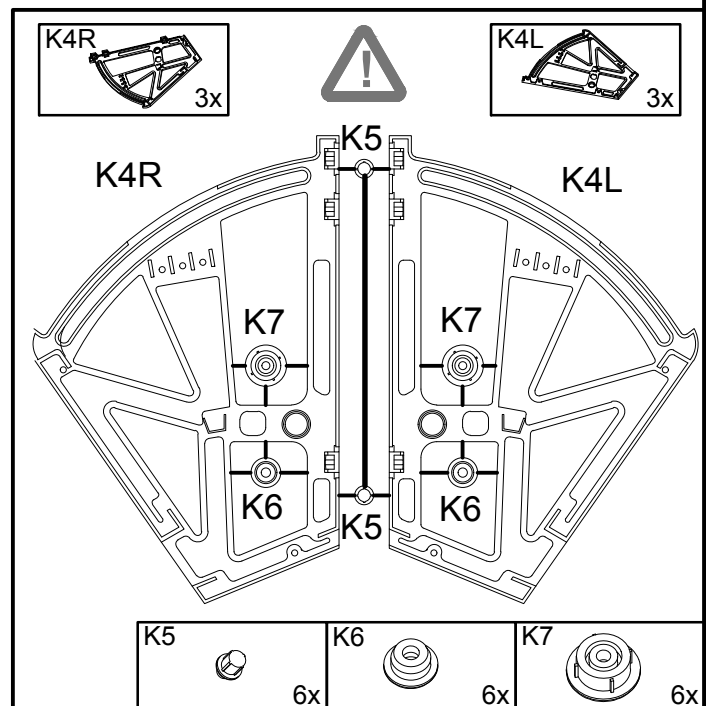
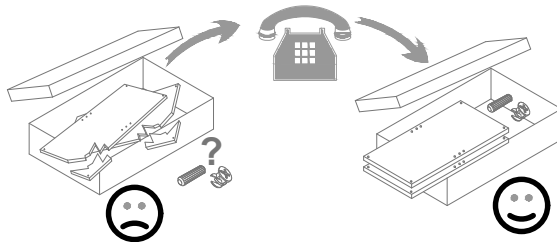
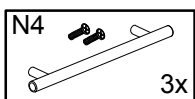


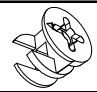
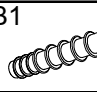
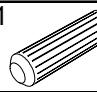
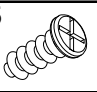
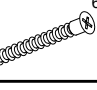
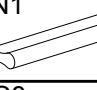
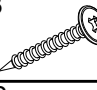
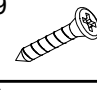
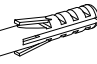



A1 10x 	B1 10x 	F5 6.3x16 18x 
S1 6.3x50 4x 	C2 8x40 4x 	G9 3x20 18x 
R2 1x 	G4 3x12 12x 	F2 6.3x13 6x 
		G8 5x50 4x 




K5 6x 	K6 6x 	K7 6x 
--------------	--------------	--------------



optional  
optionnel

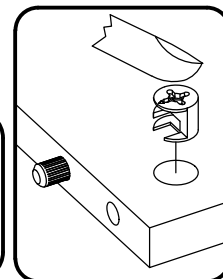
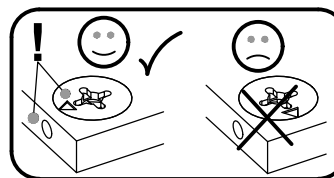
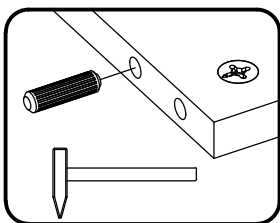
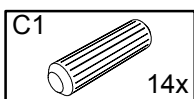
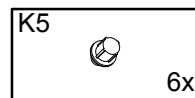
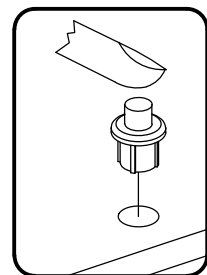
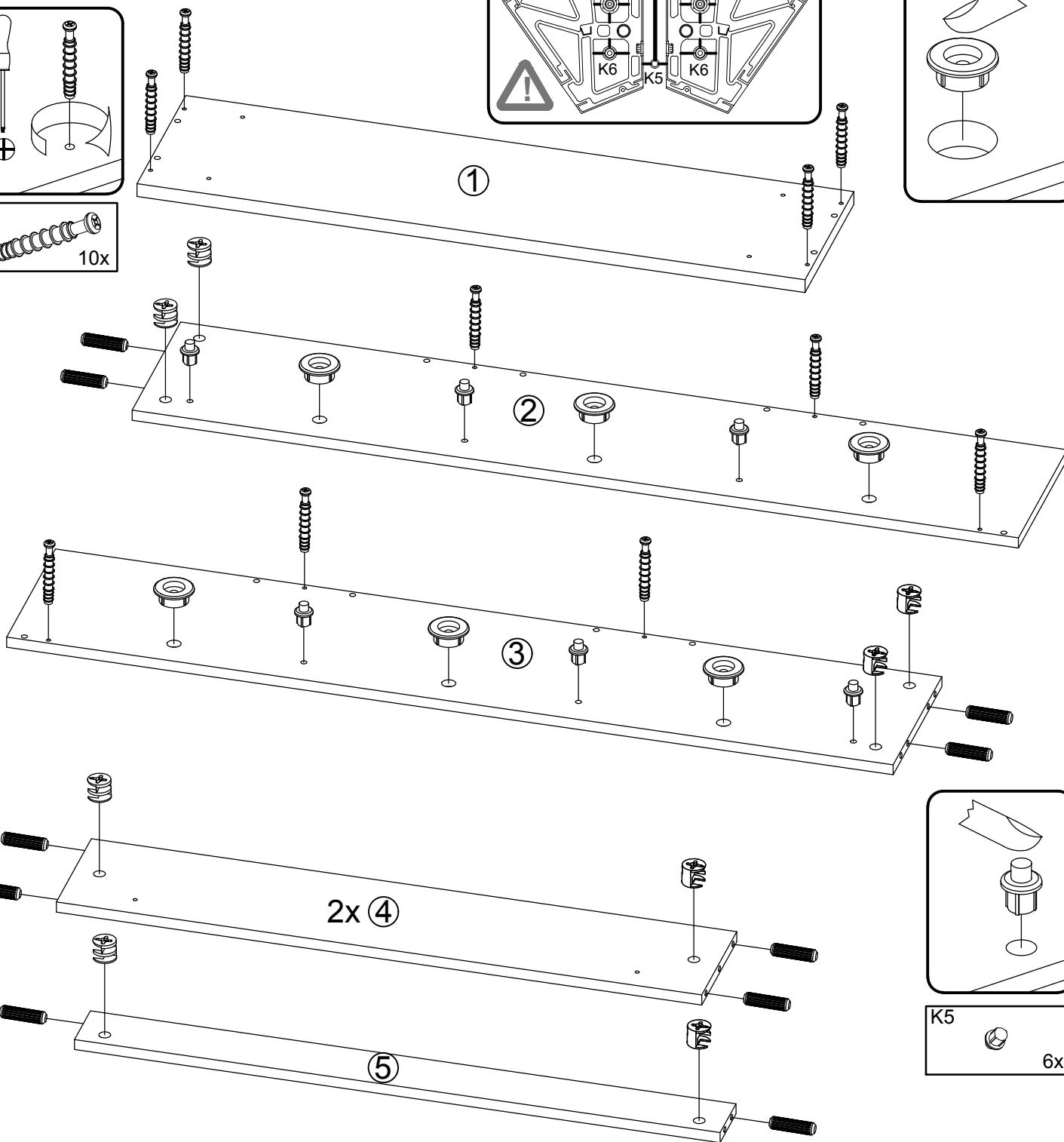
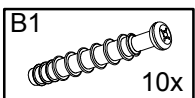
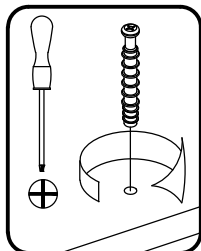
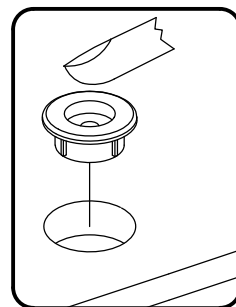
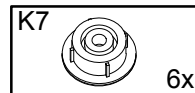
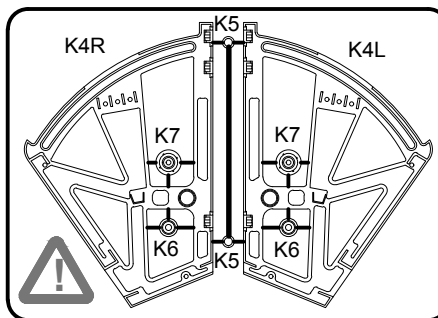


A1  10x	B1  10x	C1  14x	F5  6.3x16 18x
S1  6.3x50 4x	N1  3x	J3  4x27 6x	G9  3x20 18x
C2  8x40 4x	G8  5x50 4x	R2  1x	F2  6.3x13 6x

K5  6x	K6  6x	K7  6x
---------------------------------------------------------------------------------------------------	---------------------------------------------------------------------------------------------------	---------------------------------------------------------------------------------------------------

# Space/Lavia

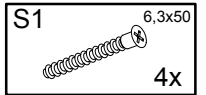
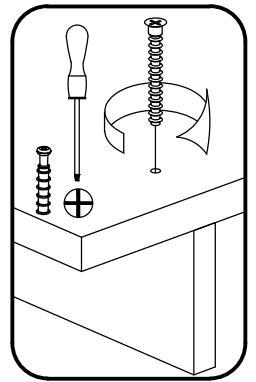
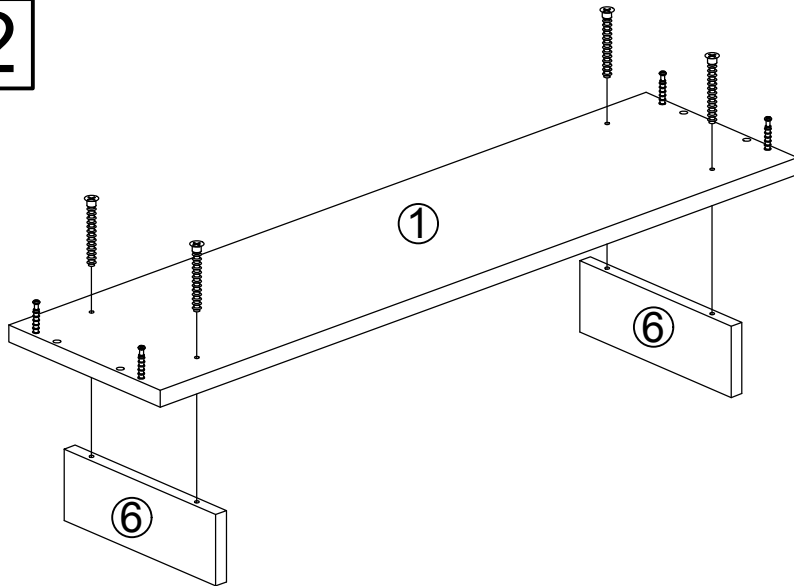
1



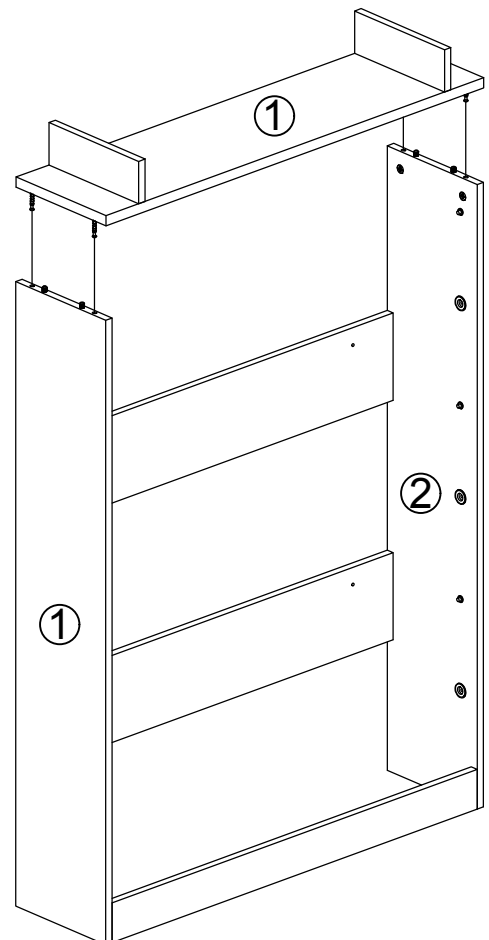
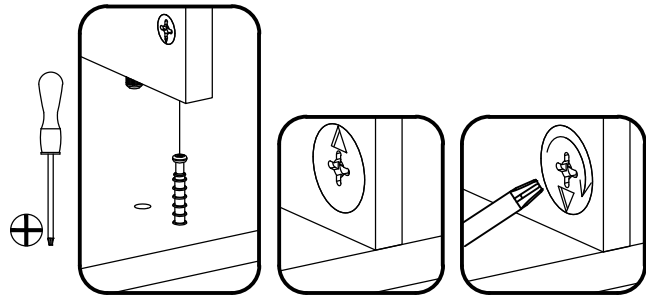
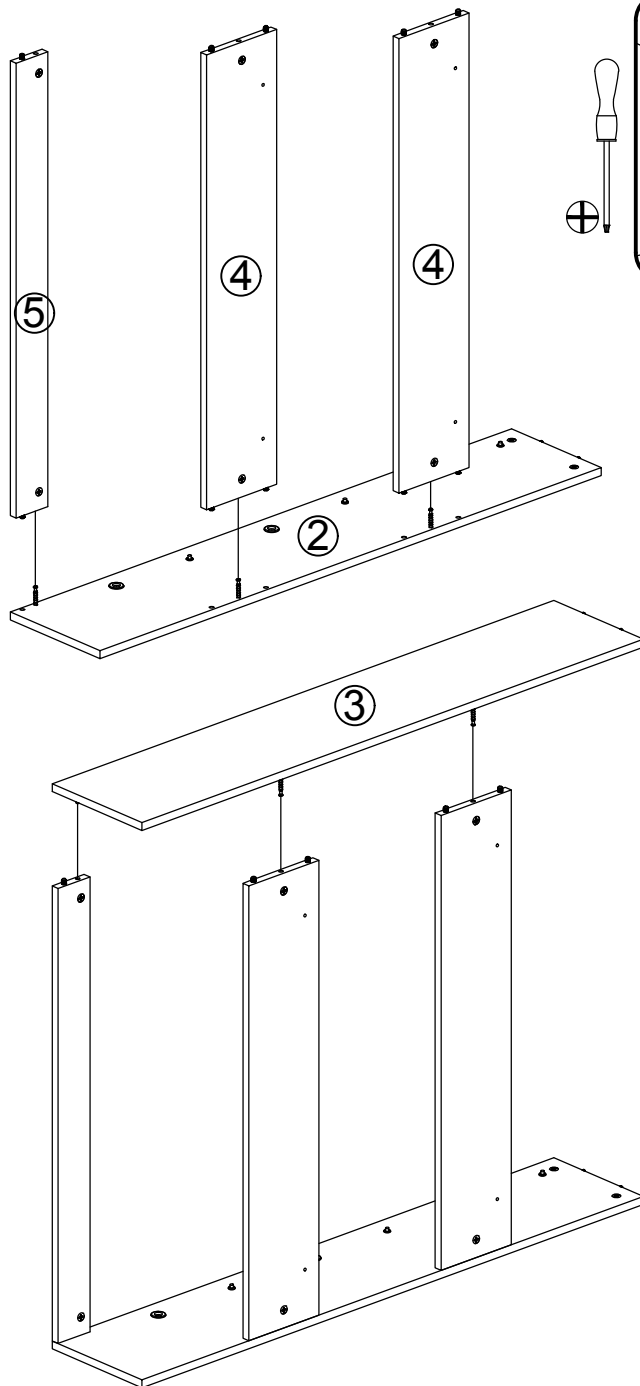
# Space/Lavia

4/8

2



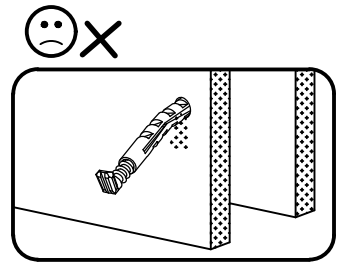
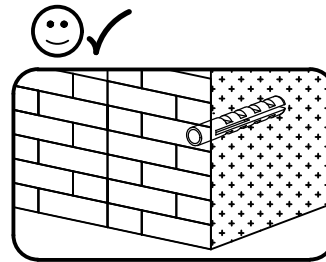
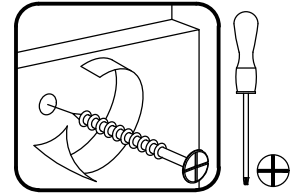
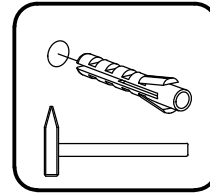
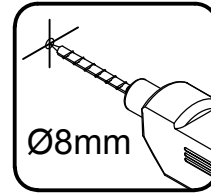
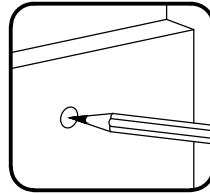
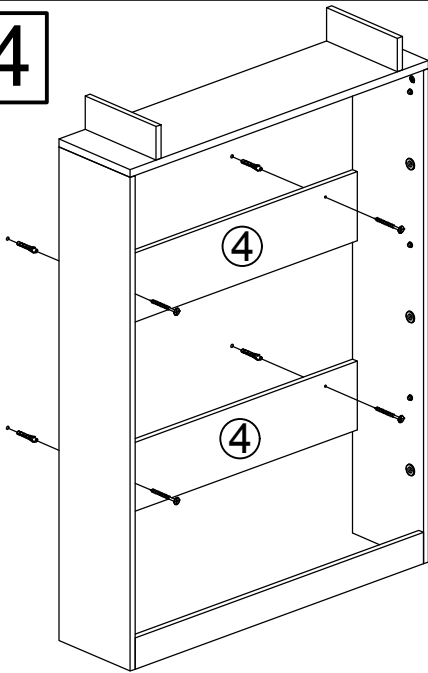
3



# Space/Lavia

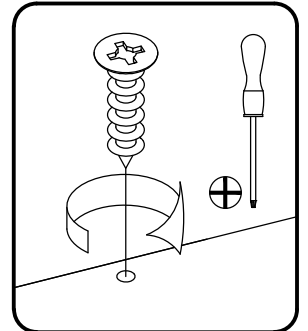
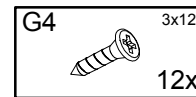
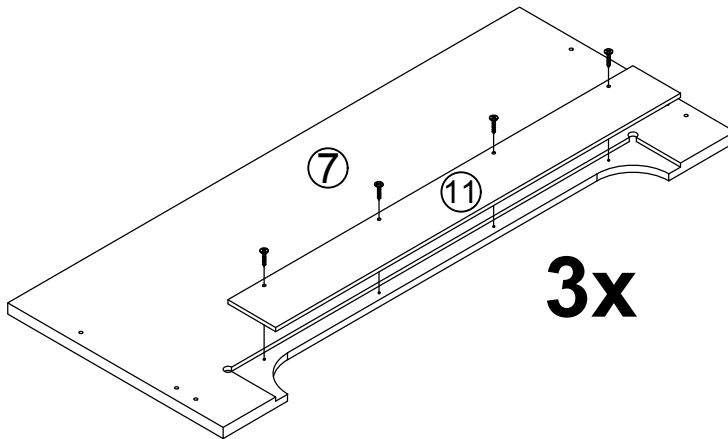
5/8

4

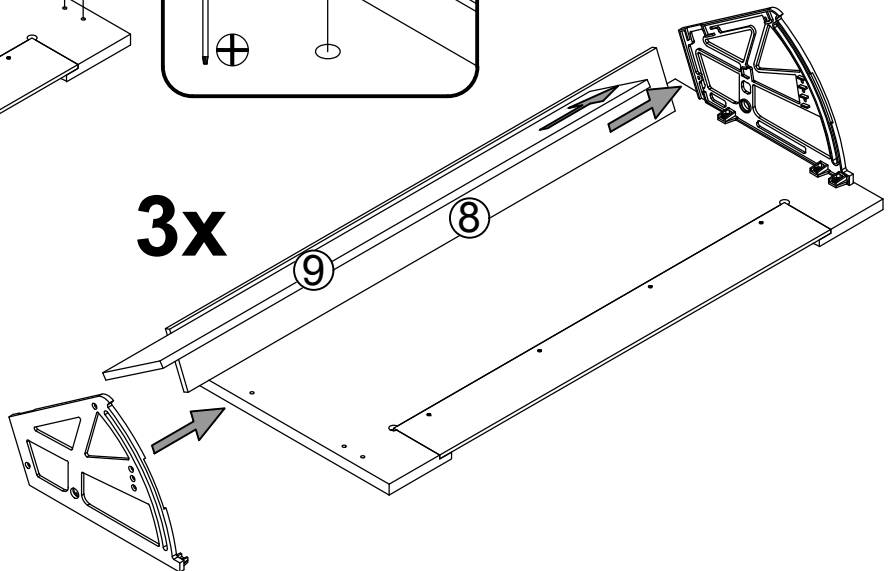
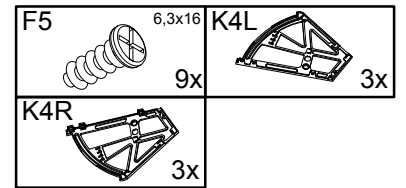
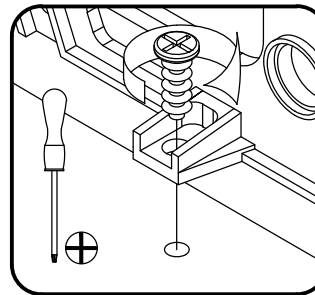
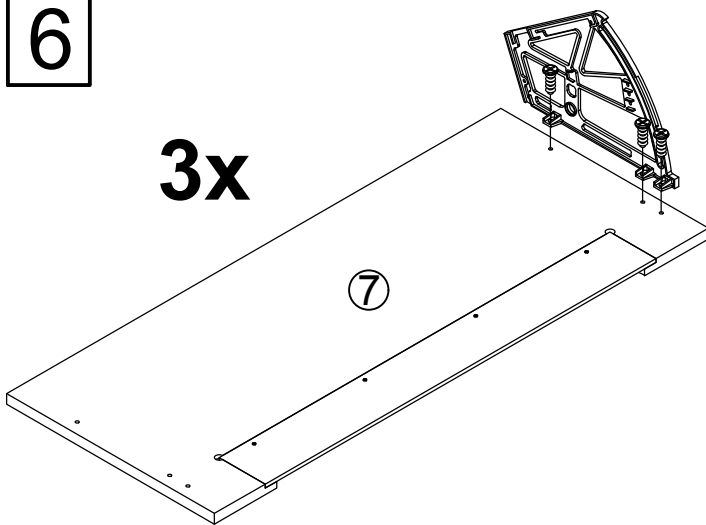


## Space

5



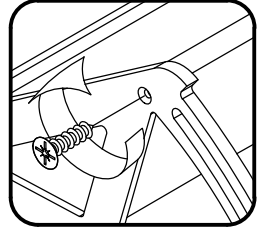
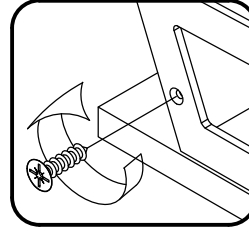
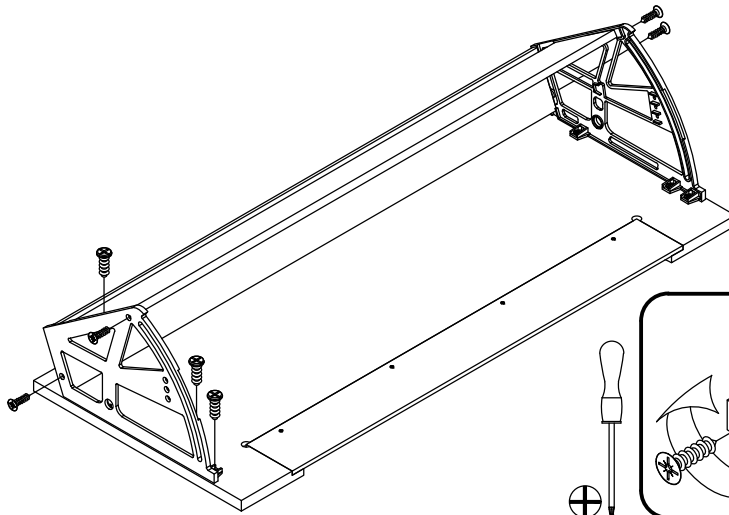
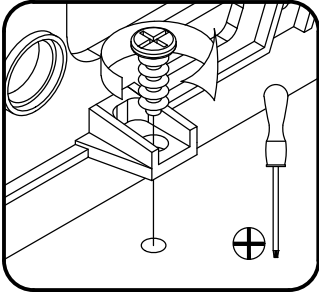
6



7

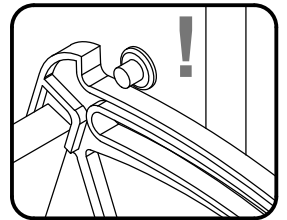
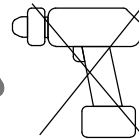
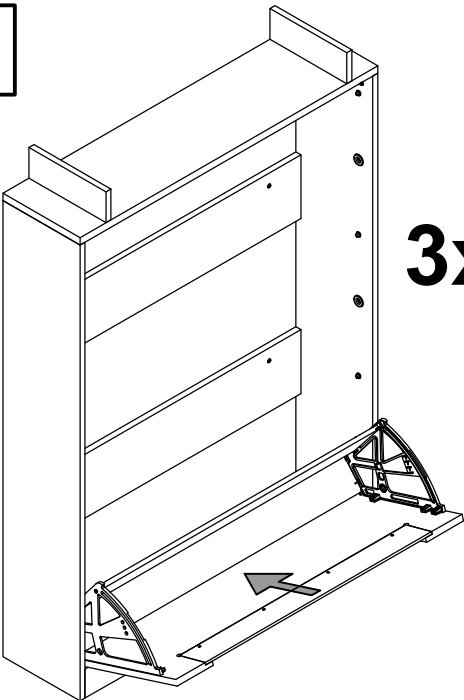
F5 6,3x16  
9x

G9 3x20  
12x

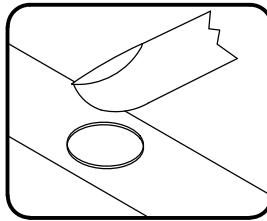


8

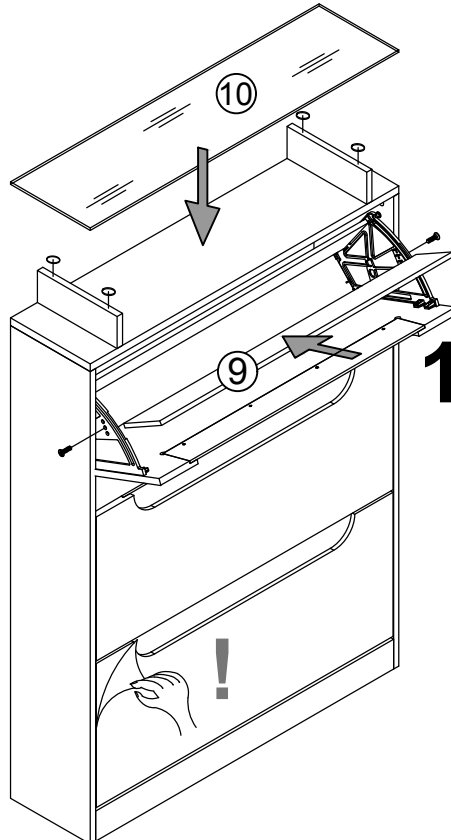
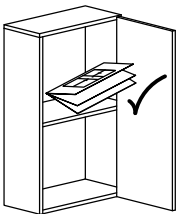
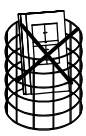
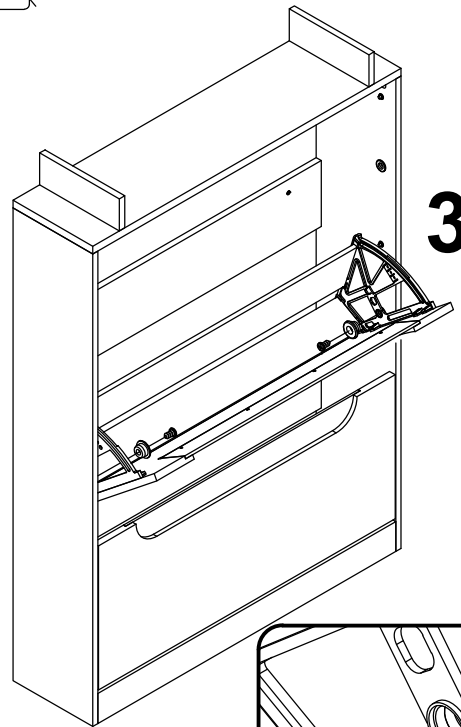
3x



R2 1x



3x

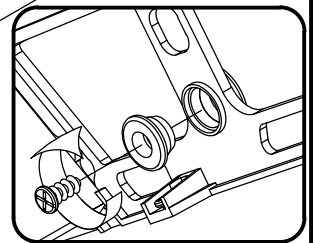


3x

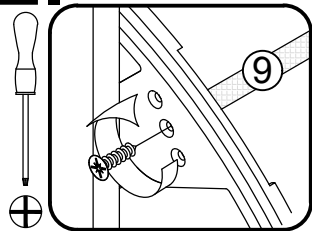
10

9

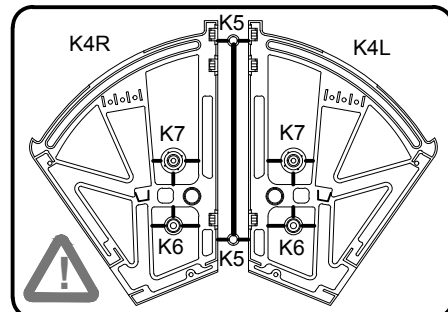
1.



2.

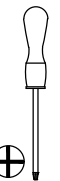


G9 3x20  
6x

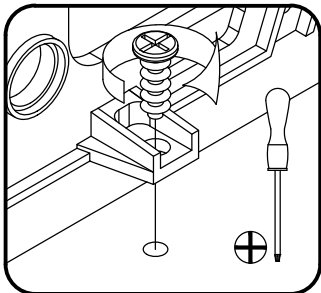
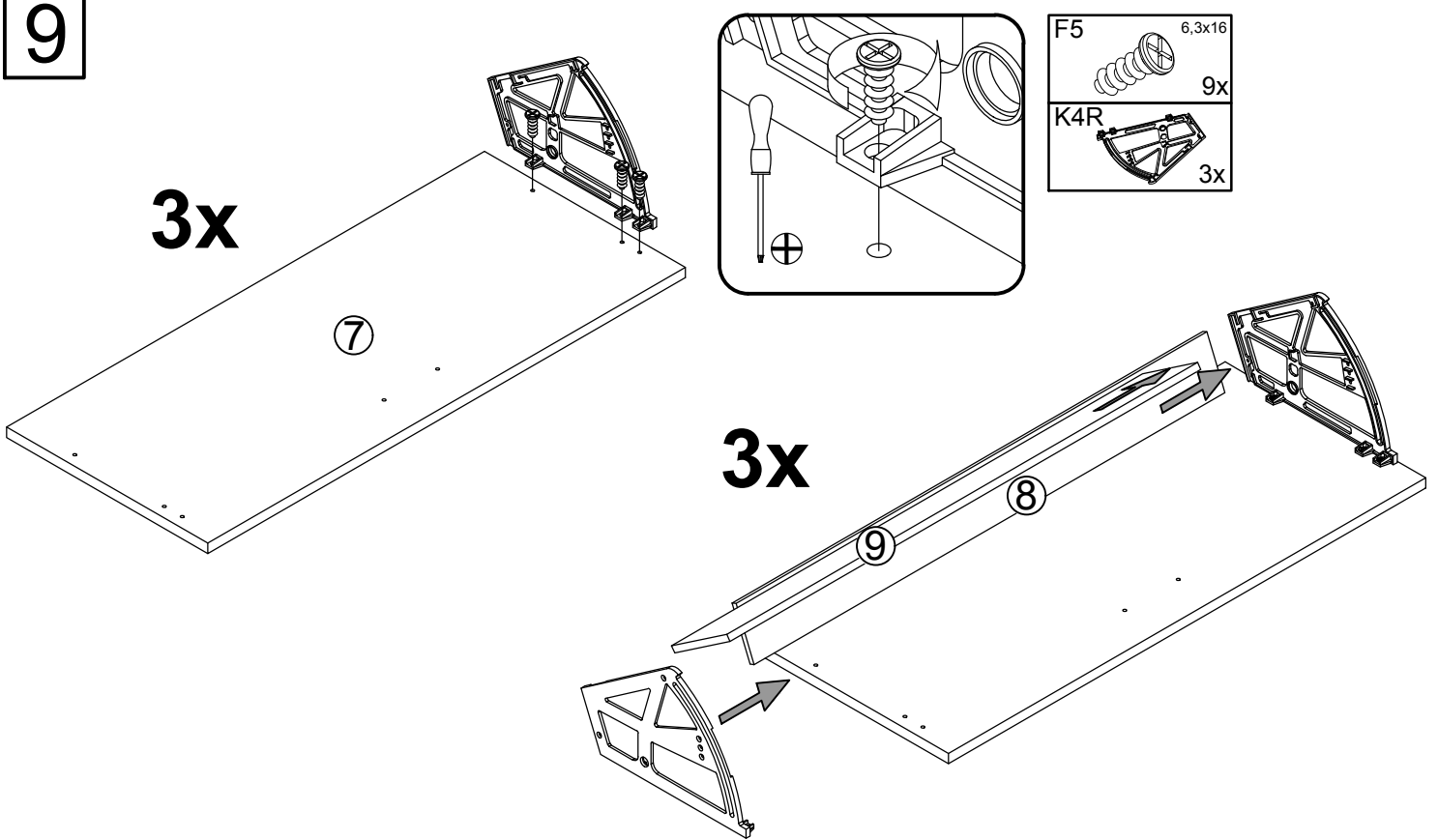


K6 6x

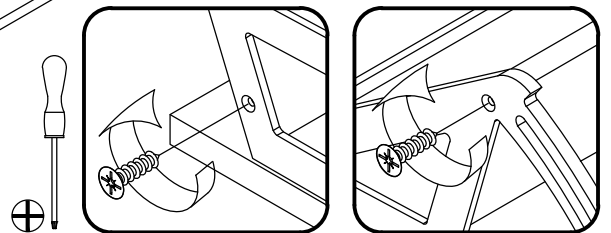
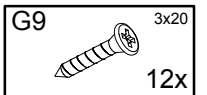
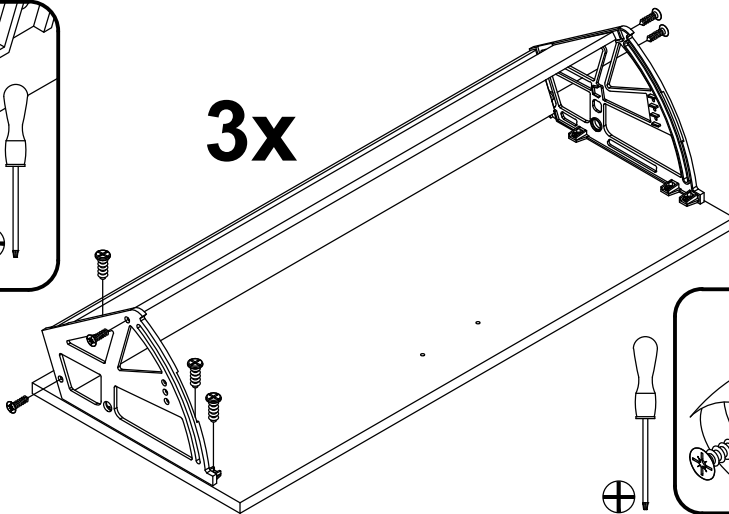
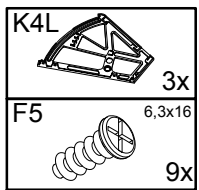
F2 6,3x13  
6x



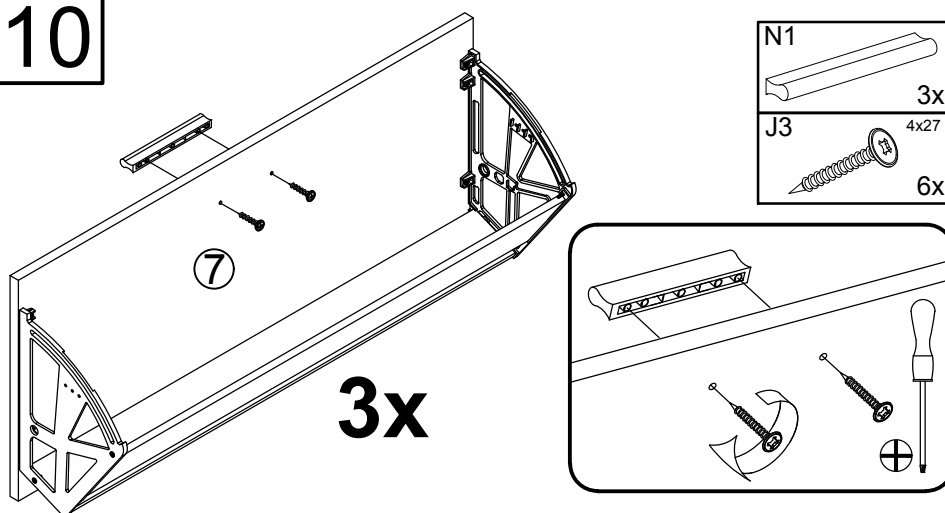
9



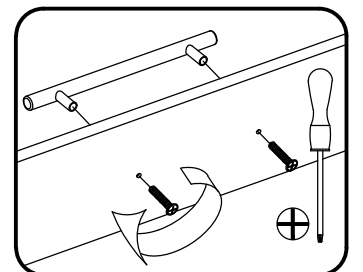
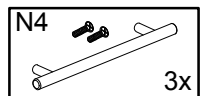
**3x**



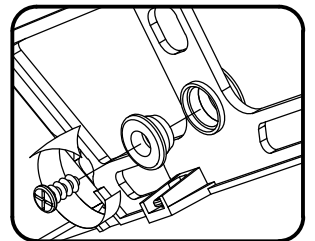
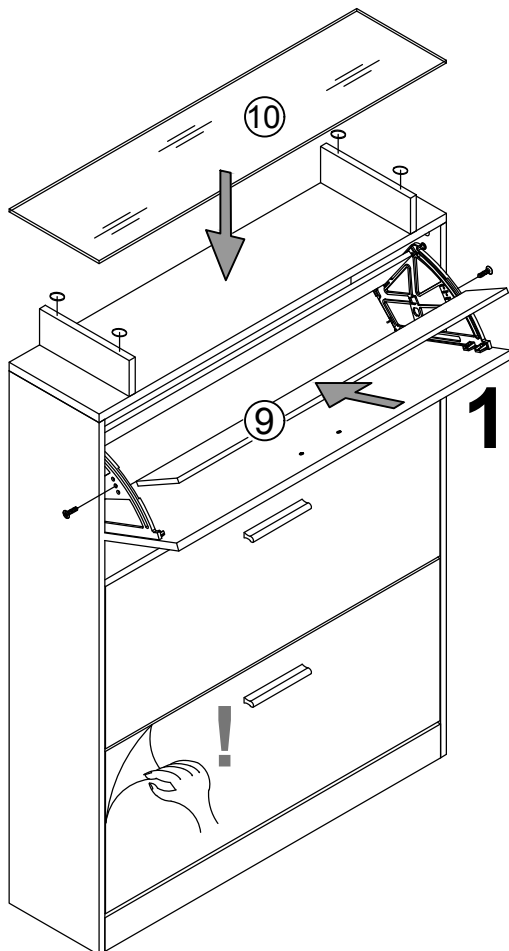
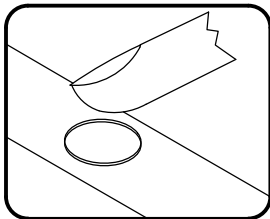
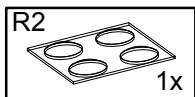
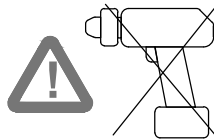
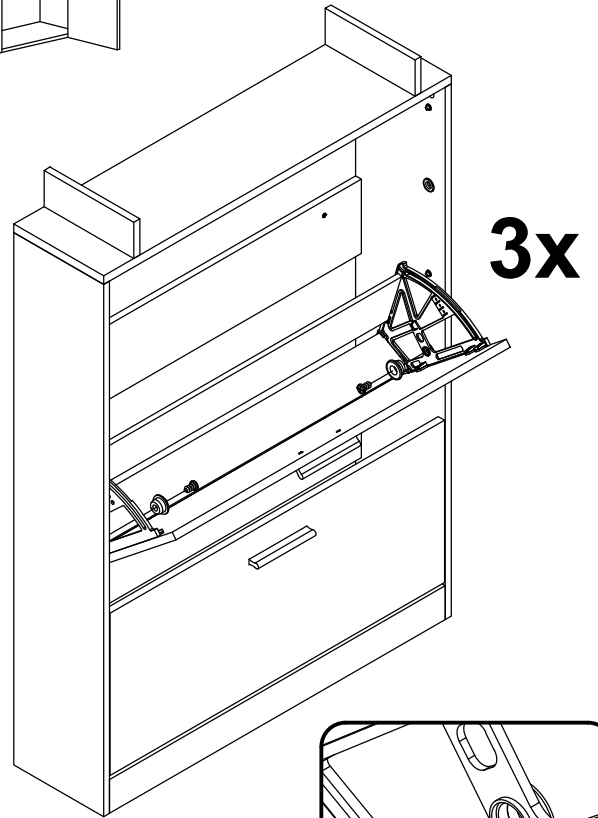
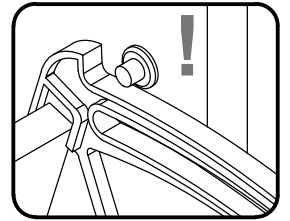
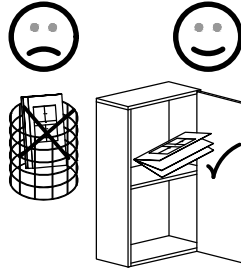
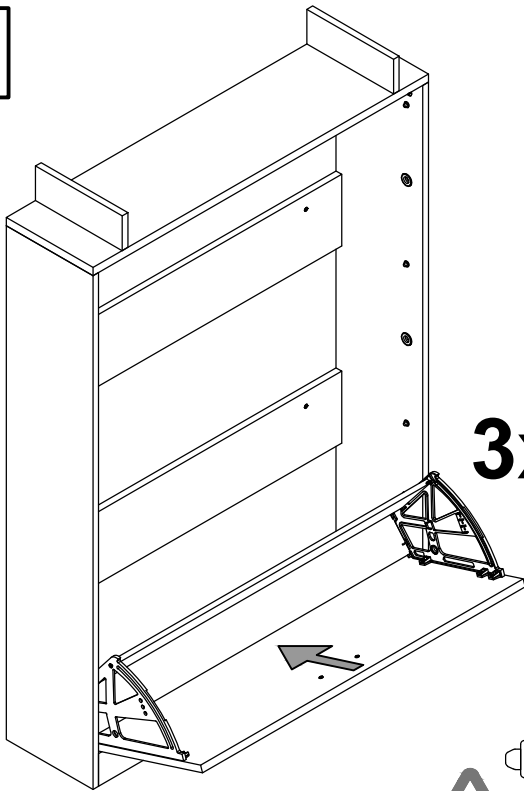
10



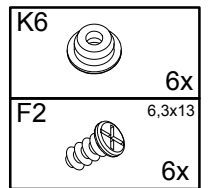
optional  
optionnel



11



3x



2.

