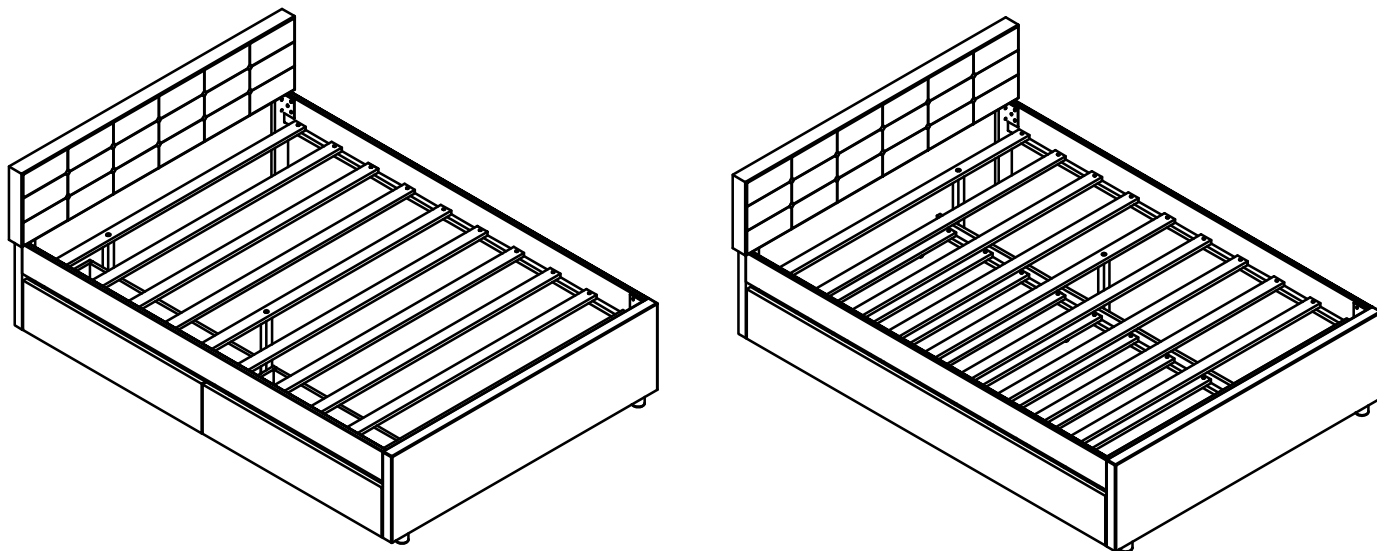


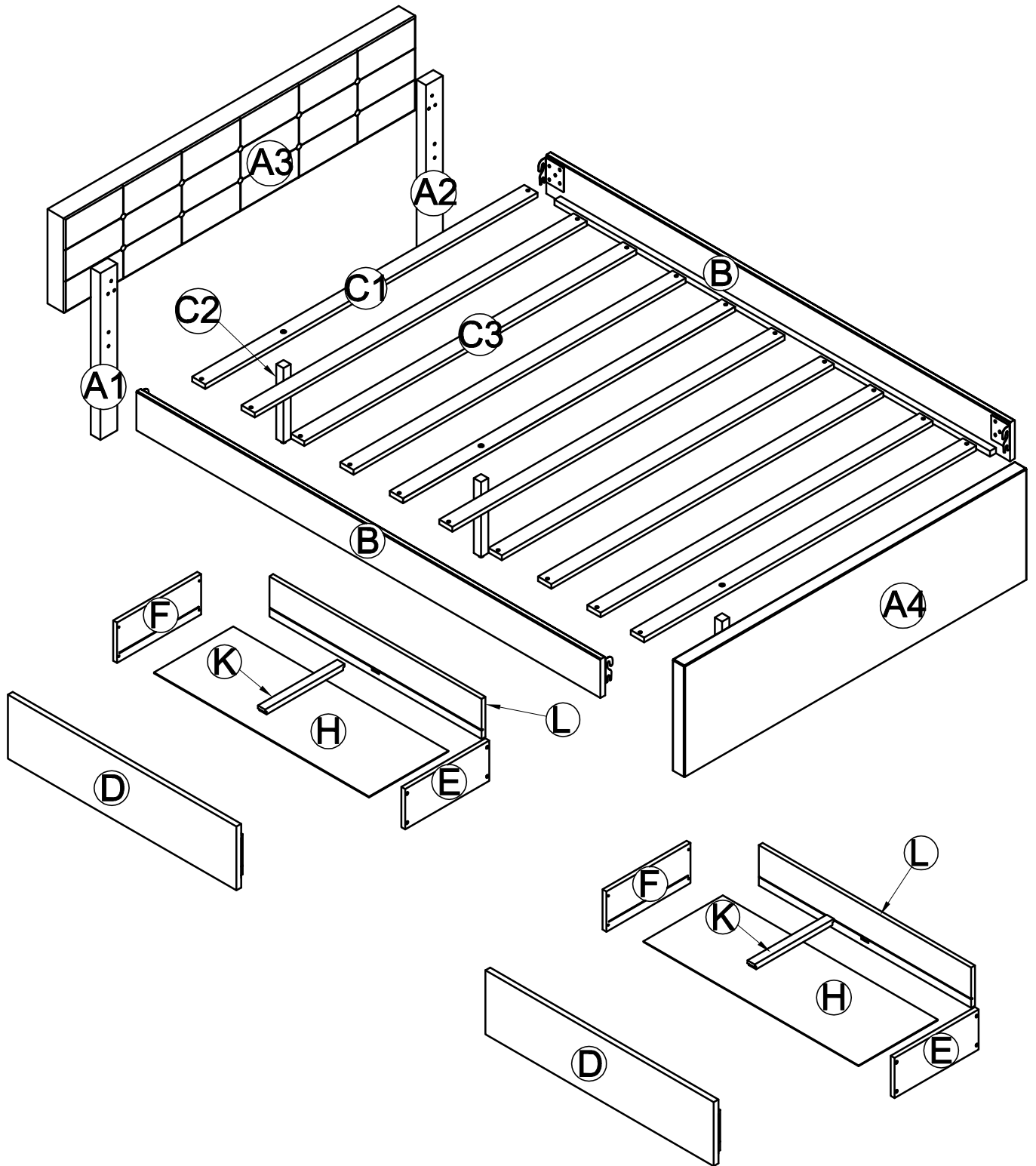
# ASSEMBLY INSTRUCTION



## SAFETY WARNINGS

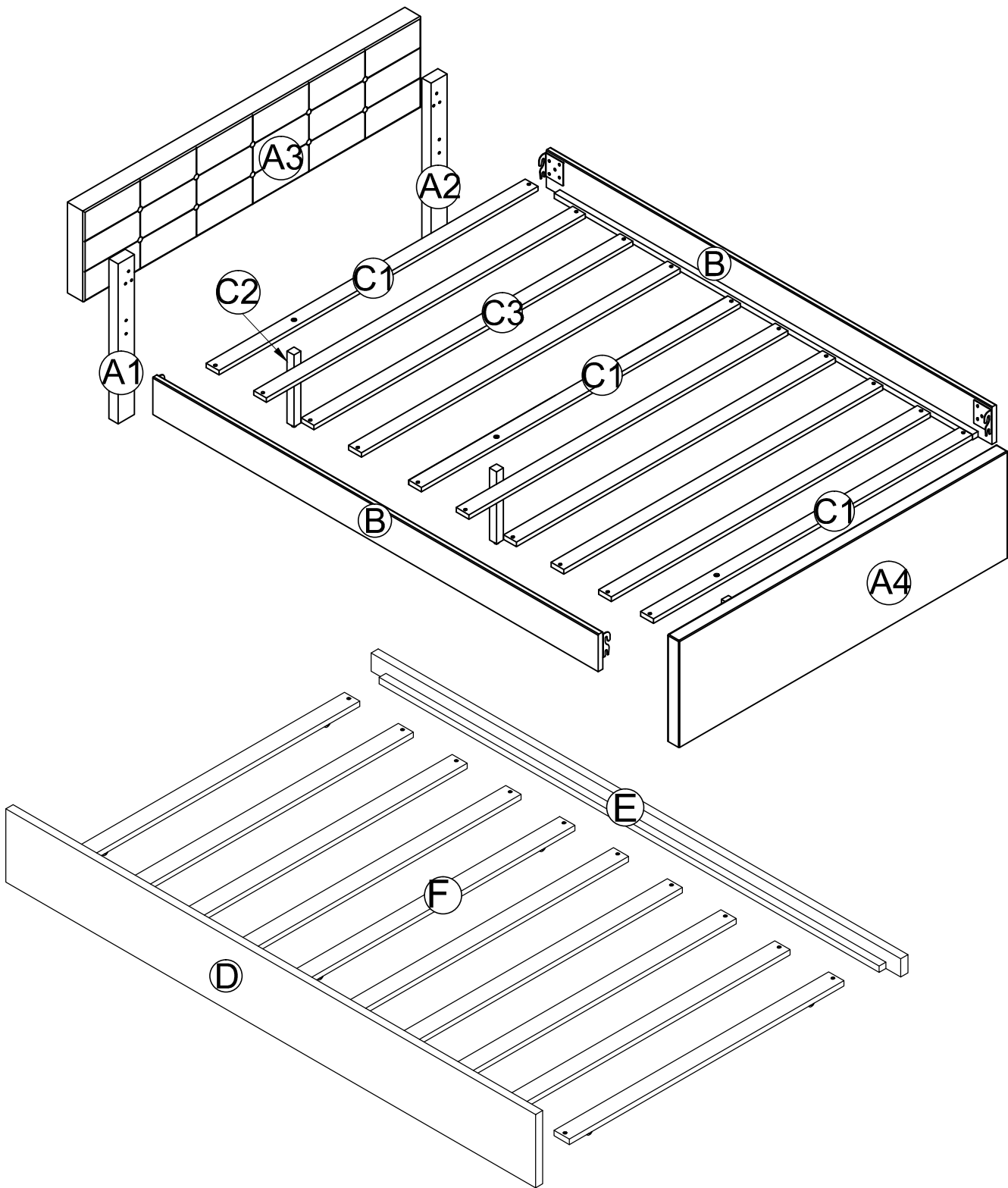
1. Follow the information on the warning label appearing on the upper bunk end structure and on the carton... Do not remove warning label from bed.
2. Always use the recommended size mattress or mattress support, or both, to help prevent the likelihood of entrapment or falls.
3. Surface of mattress must be at least 5 inches below the upper edge of guard rails.
4. Do not allow children under 6 years to use the upper bunk.
5. Prohibit more than one person on upper bunk.
6. Periodically check and ensure that the guardrail, ladder, and other components are in their proper position, free from damage, and that all connectors are tight.
7. Do not allow horseplay on or under the bed and prohibit jumping on the bed.
8. Always use the ladder for entering and leaving upper bunk.
9. Do not use substitute part. Contact the manufacturer or dealer for replacement part.
10. Use of night light may provide added safety precaution for a child using the upper bunk.
11. If the bunk bed will be placed next to a wall, the guardrail that runs the full length of the bed should be placed against the wall to prevent entrapment between the bed and the wall.
12. Always use guardrail on both long sides of the upper bunk.
13. The use of water or sleep flotation mattresses is prohibited.
14. Keep these instruction for future reference.
15. Strangulation Hazard - Never attach or hang items to any part of the bunk bed that are not designed for use with the bed, for example, but not limited to hooks, belts and jump rores.
16. Trundle : Only use for mattress 6 inch.

# ASSEMBLY INSTRUCTION BED WITH 2 DRAWES



# ASSEMBLY INSTRUCTION

## BED WITH TRUNDLE



# Part List

A1



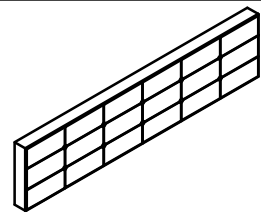
Leg(HB-Front)-1pcs

A2



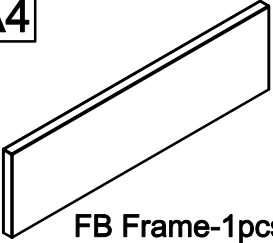
Leg(HB-Back)-1pcs

A3



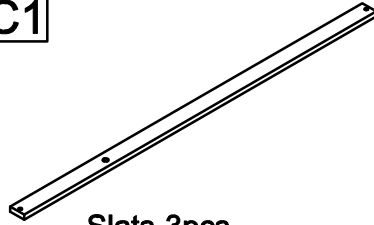
HB Frame-1pcs

A4



FB Frame-1pcs

C1



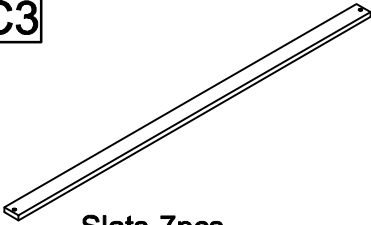
Slats-3pcs

C2



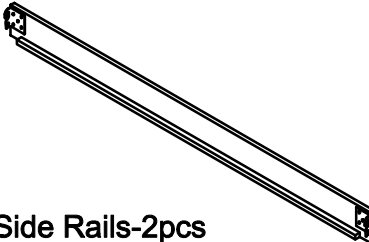
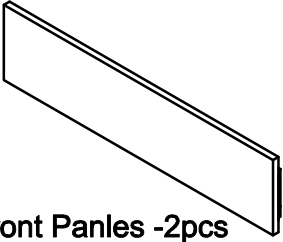
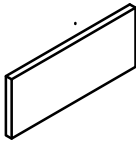
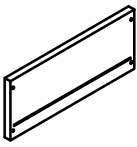
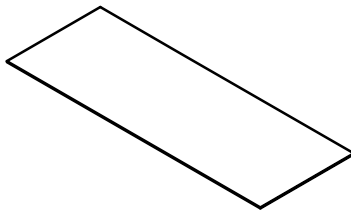
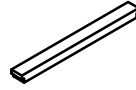
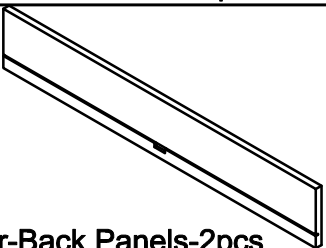
Support Slats-3pcs

C3




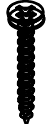
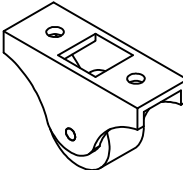
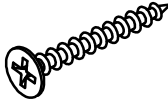


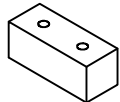



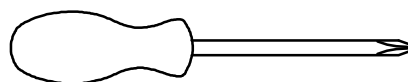
Slats-7pcs

# Part List

<p><b>B</b></p>  <p>Side Rails-2pcs</p>	<p><b>D</b></p>  <p>Drawer-Front Panles -2pcs</p>	<p><b>E</b></p>  <p>Drawer-Side Panles -2pcs</p>
<p><b>F</b></p>  <p>Drawer-Side Panles -2pcs</p>	<p><b>H</b></p>  <p>Drawer-Bottom Panles-2pcs</p>	<p><b>K</b></p>  <p>Drawer-Support Bottom-2pcs</p>
<p><b>L</b></p>  <p>Drawer-Back Panels-2pcs</p>		

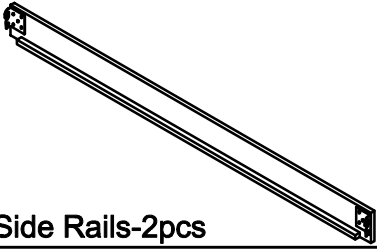
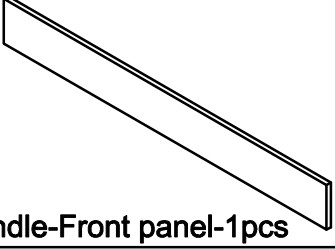
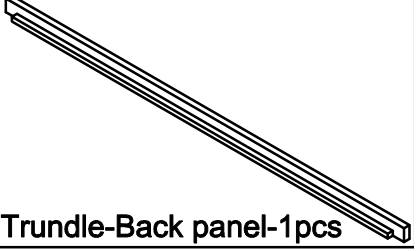
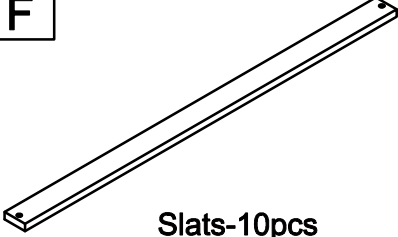
# Hardware List

<p><b>1</b></p>  <p>Plastic Feet(Ø50x40) 2pcs</p>	<p><b>2</b></p>  <p>Ø1/4" x 30 mm Hex-Head bolts 7pcs</p>	<p><b>3</b></p>  <p>Ø1/4" x 20 mm Hex-Head bolts 4pcs</p>
<p><b>4</b></p>  <p>M4 x 30 mm Wood Screws 36pcs</p>	<p><b>5</b></p>  <p>Wheels 8pcs</p>	<p><b>6</b></p>  <p>M4 x 15 mm Wood Screws 16pcs</p>
<p><b>7</b></p>  <p>Allen Key 1pc</p>	<p><b>8</b></p>  <p>Ø1/4" x 50 mm Hex-Head bolts 6pcs</p>	<p><b>9</b></p>  <p>Stopper 3pcs</p>  <p>M4 x 38 mm Wood Screws 6pcs</p>





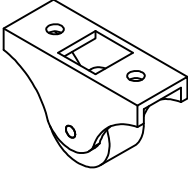
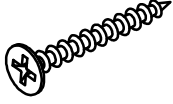


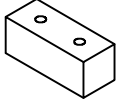




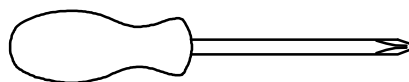
**Assembly Tools Required (Not Included)**

# Part List

<p><b>B</b></p>  <p>Side Rails-2pcs</p>	<p><b>D</b></p>  <p>Trundle-Front panel-1pcs</p>	<p><b>E</b></p>  <p>Trundle-Back panel-1pcs</p>
<p><b>F</b></p>  <p>Slats-10pcs</p>		

# Hardware List

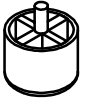
<p><b>1</b></p>  <p>Plastic Feet(Ø50x40) 2pcs</p>	<p><b>2</b></p>  <p>Ø1/4" x 30 mm Hex-Head bolts 7pcs</p>	<p><b>3</b></p>  <p>Ø1/4" x 20 mm Hex-Head bolts 4pcs</p>
<p><b>4</b></p>  <p>M4 x 30 mm Wood Screws 40pcs</p>	<p><b>5</b></p>  <p>Wheels 6pcs</p>	<p><b>6</b></p>  <p>M4 x 15 mm Wood Screws 21pcs</p>
<p><b>7</b></p>  <p>Allen Key 1pc</p>	<p><b>8</b></p>  <p>Ø1/4" x 50 mm Hex-Head bolts 6pcs</p>	<p><b>9</b></p>  <p>Stopper 3pcs</p>  <p>M4 x 38 mm Wood Screws 6pcs</p>
<p><b>10</b></p>  <p>Steel Bracket 3pcs</p>		



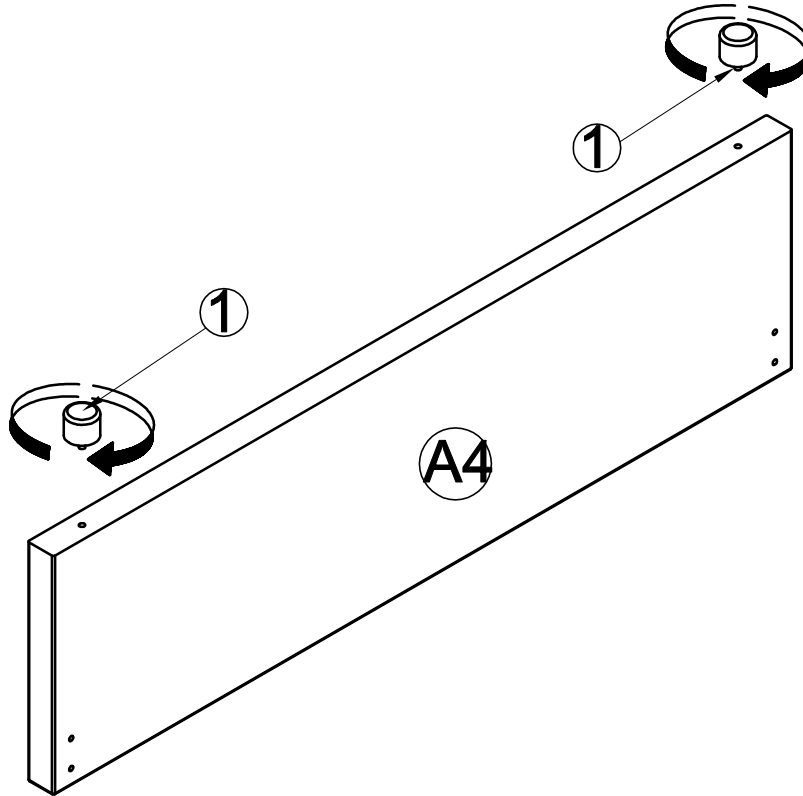
**Assembly Tools Required (Not Included)**

**STEP 1:** Following below illustration Assembly Plastic Feet #1 With Footboard(A4)  
to complete Footboard

1



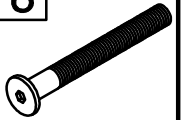
2pcs



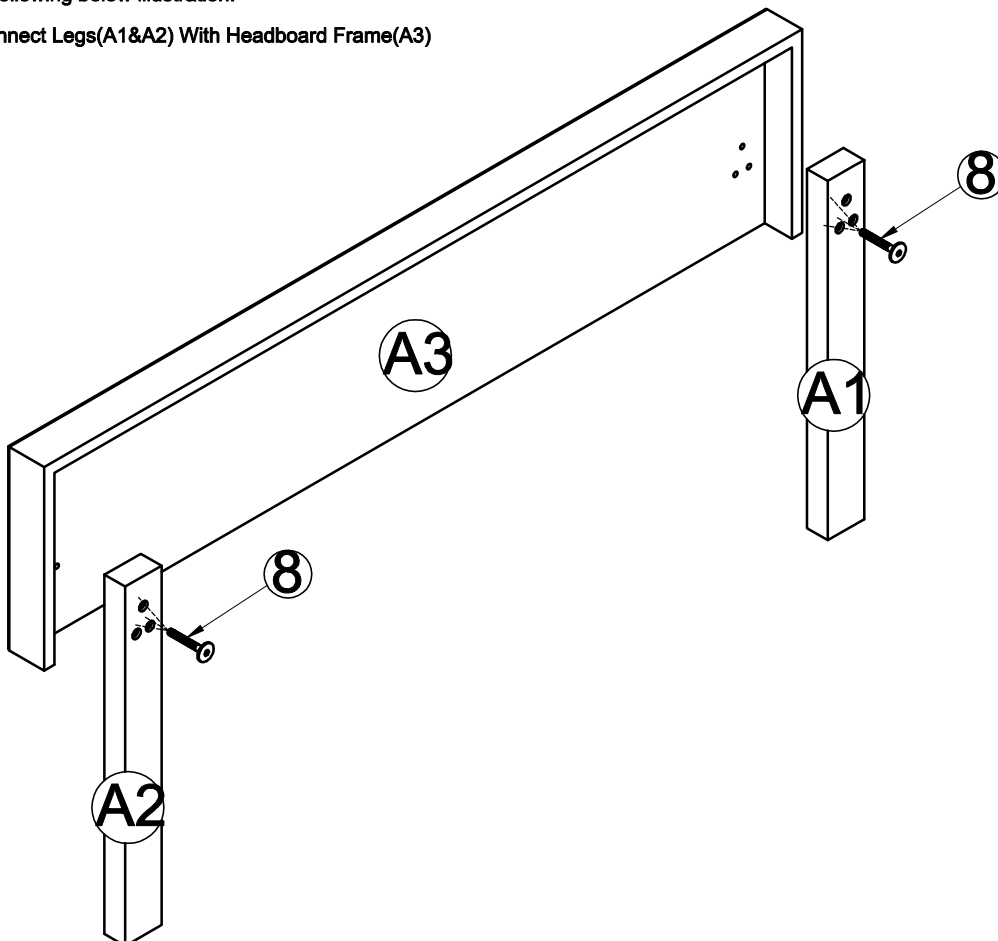
**STEP 2:** Following below illustration:

-Using hardware #8 to connect Legs(A1&A2) With Headboard Frame(A3)  
to complete Headboard

8

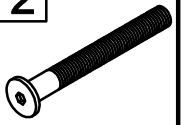


6pcs



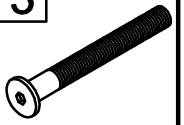
**STEP 3:** Following below illustration Using hardware #2,#3 to Assembly Headboard (Completed on step 2) and Footboard (Completed on step 1) with siderail B(x2) .Look at detail view for more detail

2



4pcs

3



4pcs

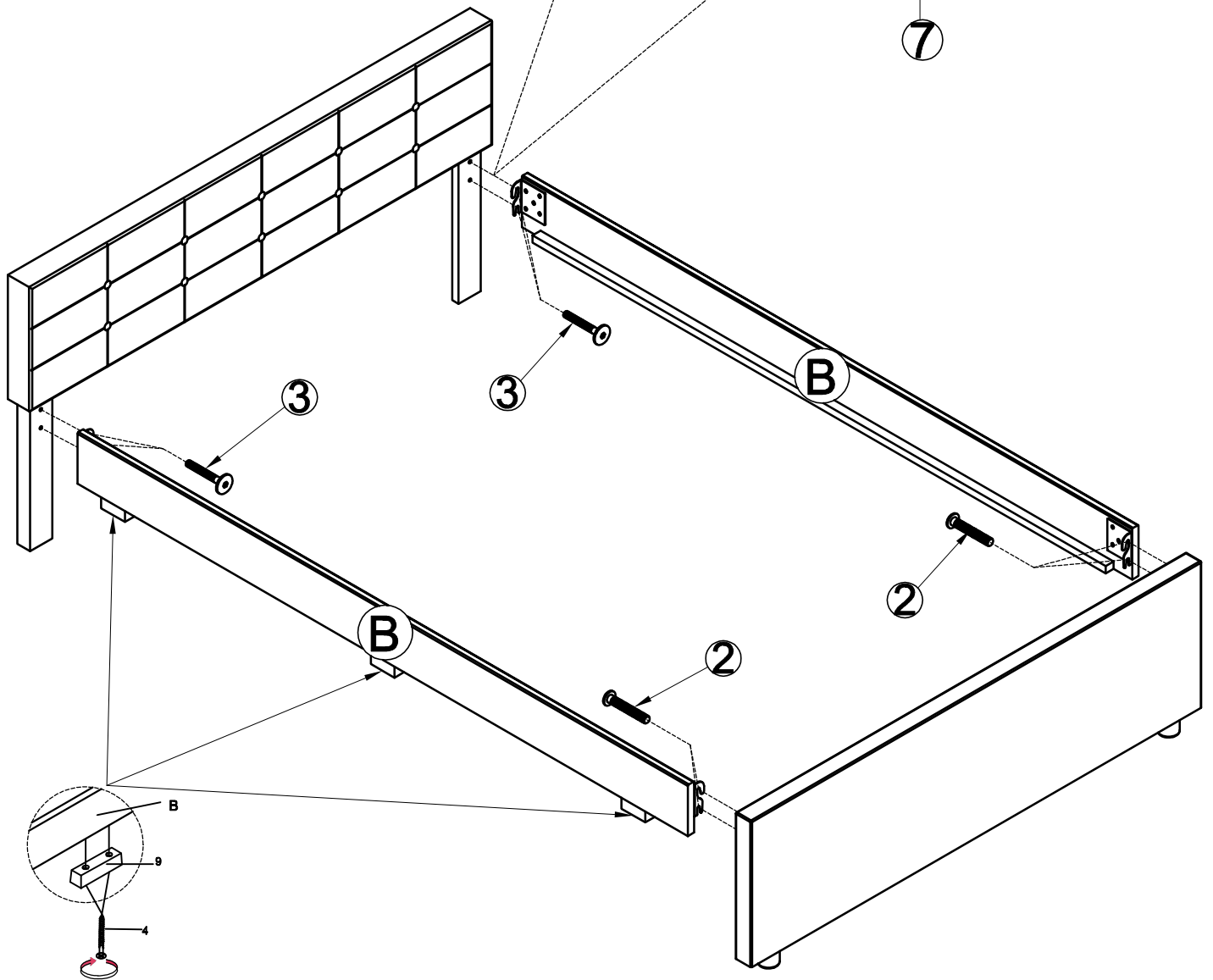
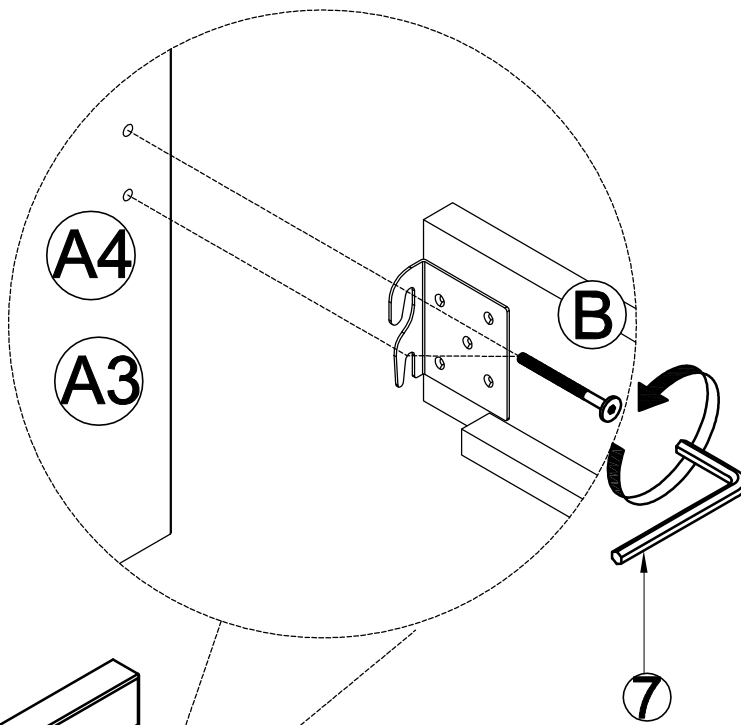
9



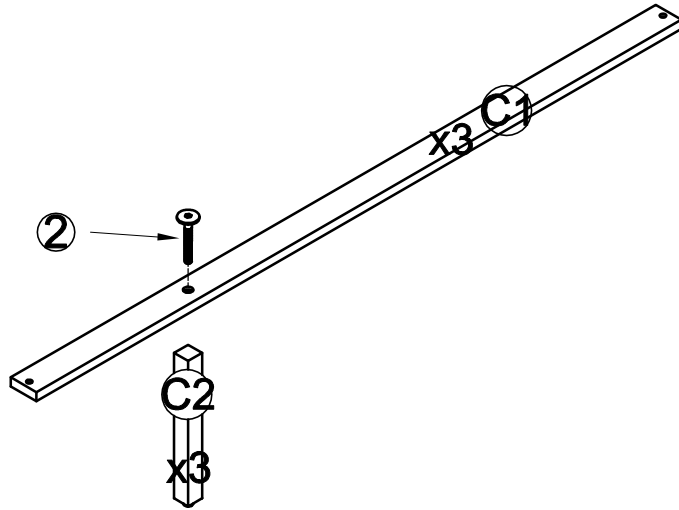
Stopper  
3pcs



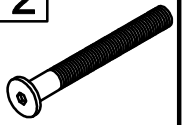
M4 x 38 mm  
Wood Screws 6pcs



**STEP 4:** Following below illustration Using hardward #2 to Assembly Slats C1(x3) with Support Slats C2(x3) .Look at detail view for more detail



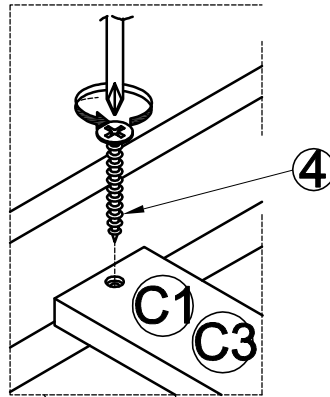
2



3pcs

**STEP 5:** Following below illustration:

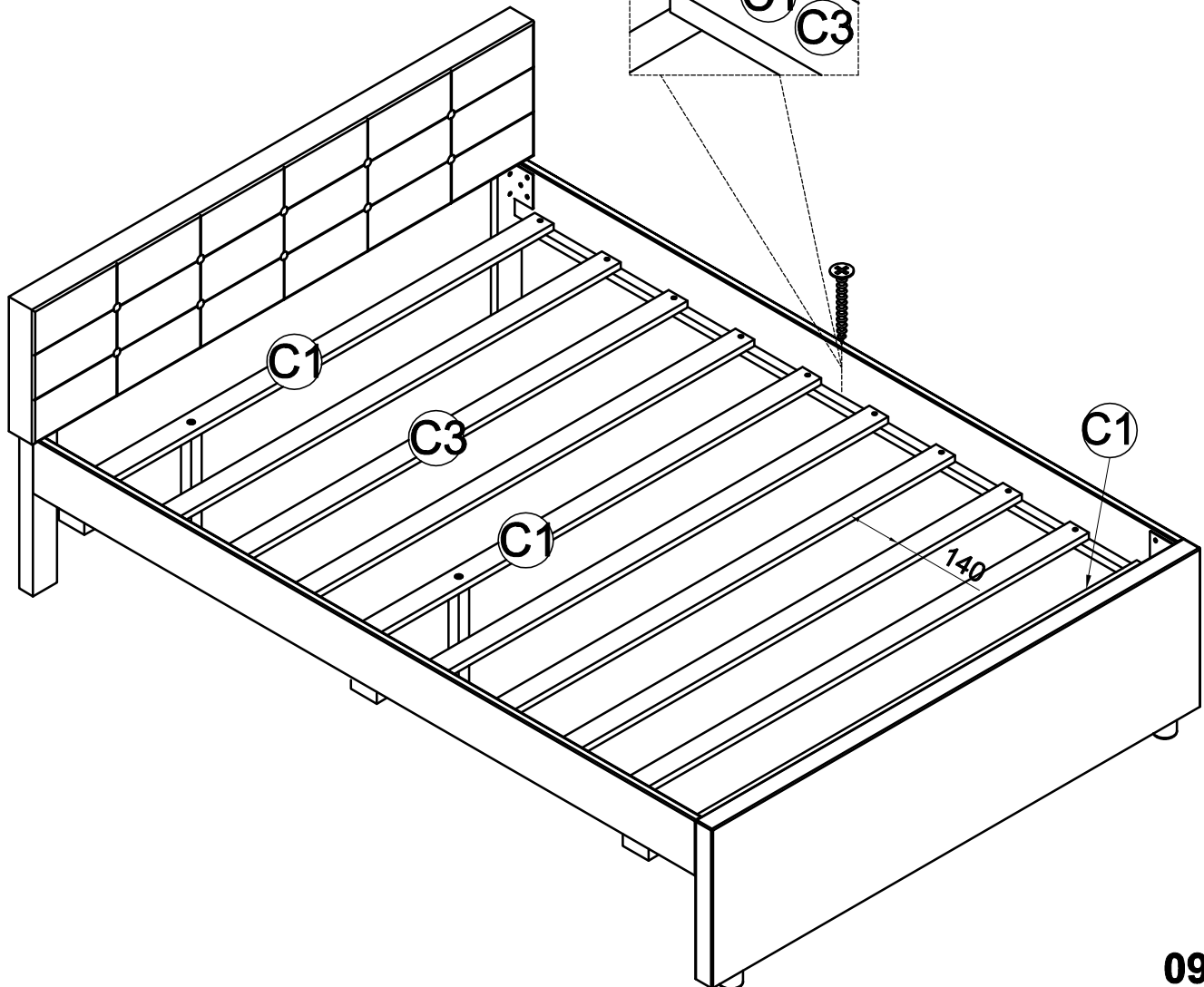
-Screw 3 slats (Completed on step 4) and 7 slats C3 by using hardward #4.  
-Look at detail view for more detail



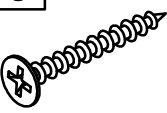
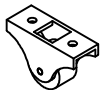
4

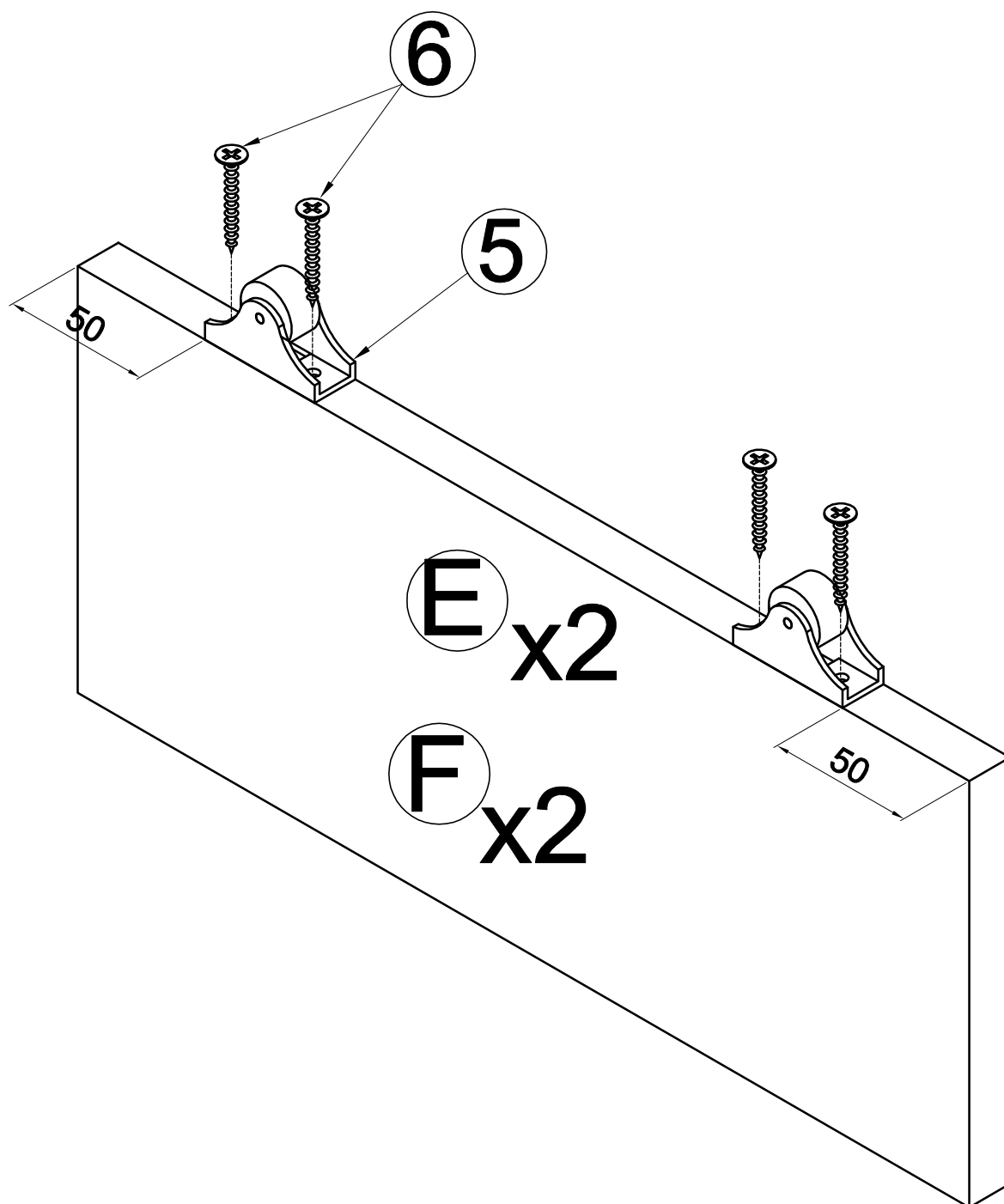


20pcs

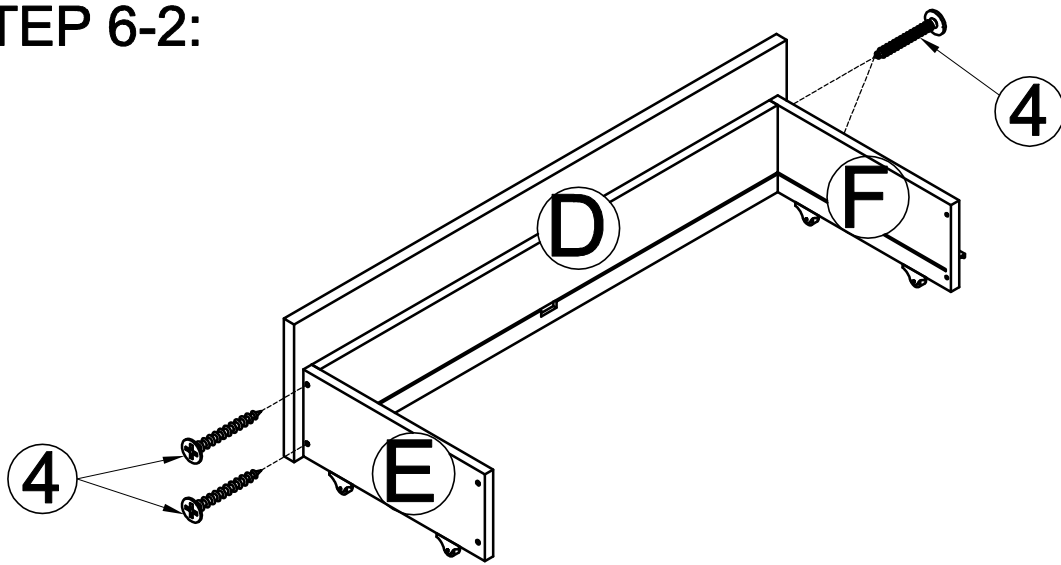



STEP 6-1: Following below illustration. Assembly Drawers (x2). if you bought Combo Bed with Trundle please skip this step and move ahead to step 8-1

<b>6</b> 	<b>5</b> 
8x2pcs	4x2pcs

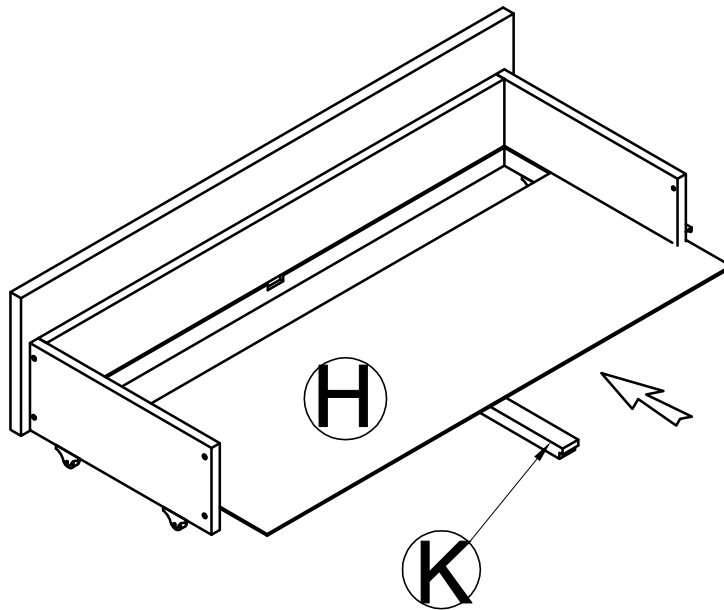


**STEP 6-2:**

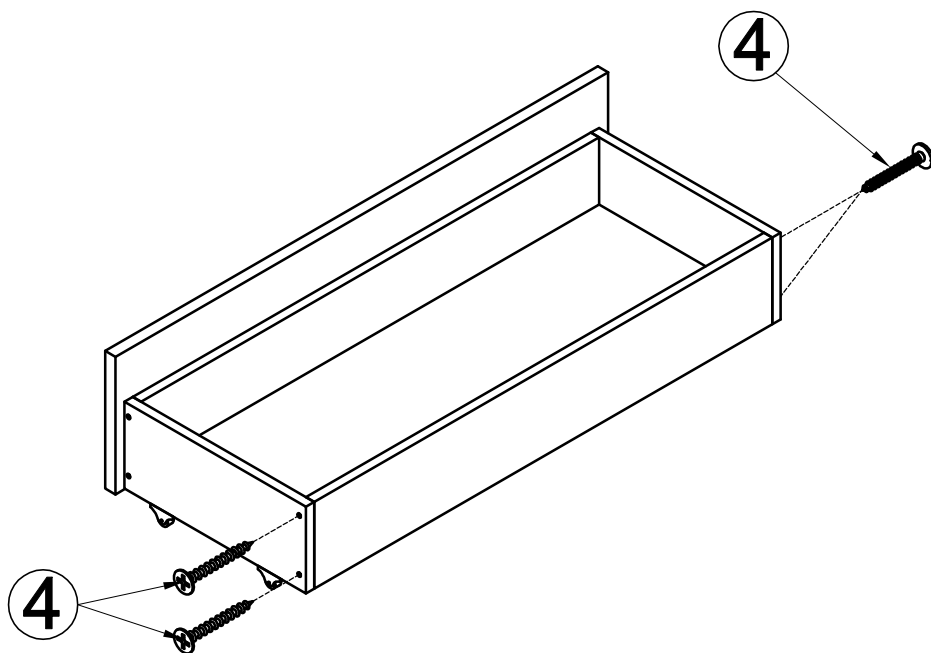



4  
  
4x2pcs

**STEP 6-3:**



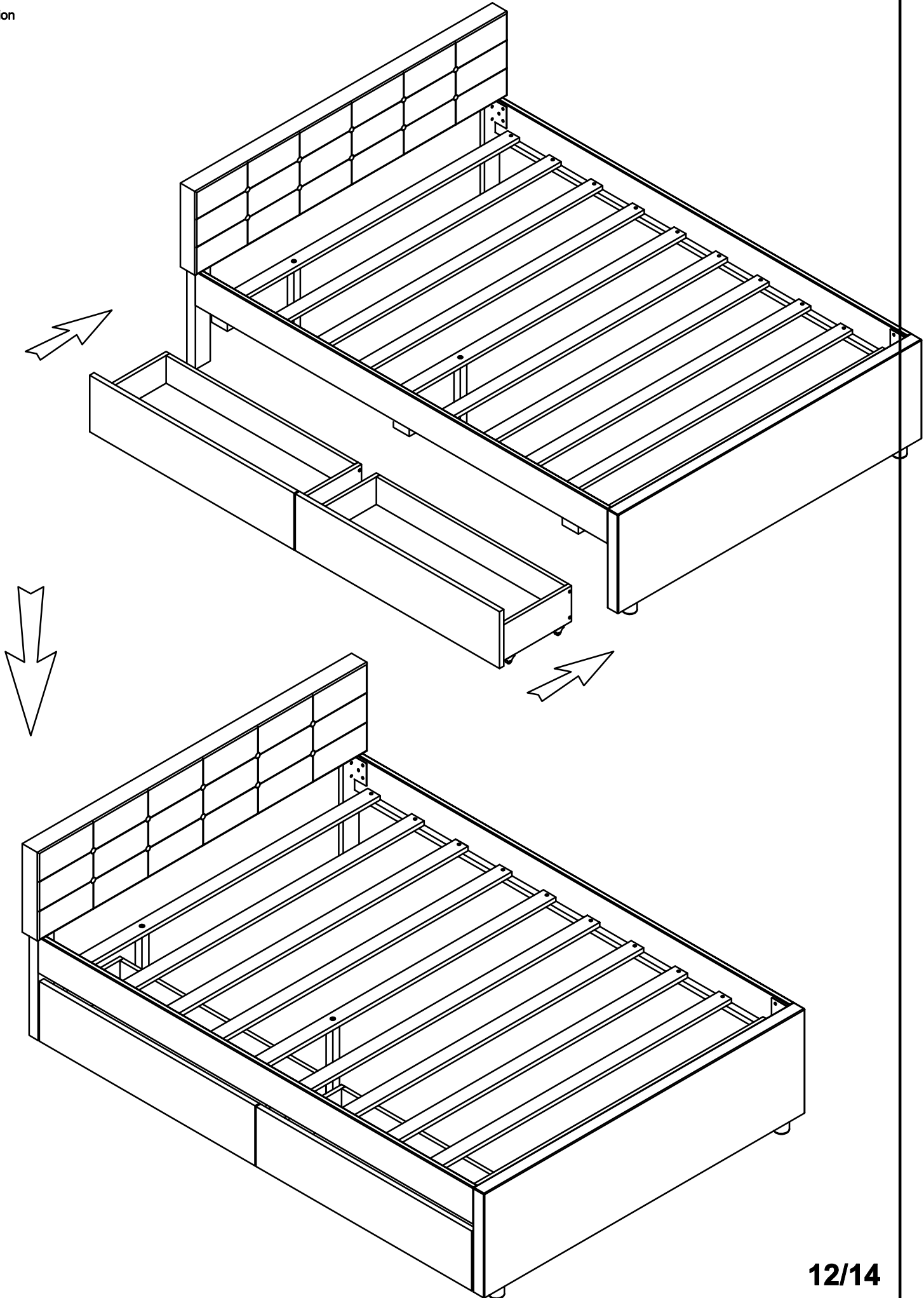
**STEP 6-4:**



4  
  
4x2pcs

**STEP 7:** CONGRARULATION. YOU HAVE COMPLETED THE BED. just one more step to push the Under Drawer into it

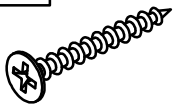
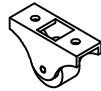
position

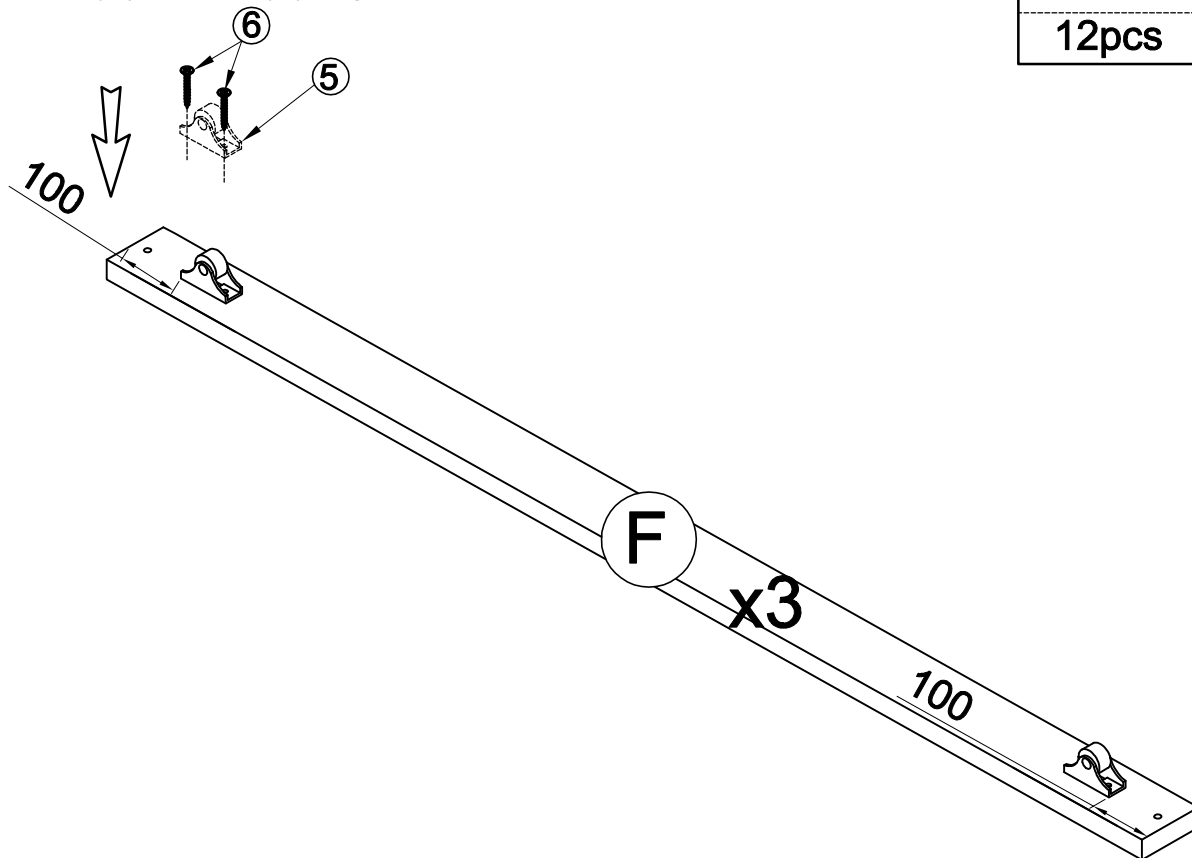


# STEP 8-1: Following below illustration. Assembly Trundle. If you

bought Combo Bed with 2 Drawers please ignore this step.

-Screw Wheels (#5) With Slats F(x3) using hardware #6.

<div style="text-align: center;">6</div> 	<div style="text-align: center;">5</div> 
<div style="text-align: center;">12pcs</div>	<div style="text-align: center;">6pcs</div>


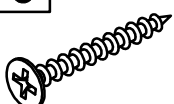



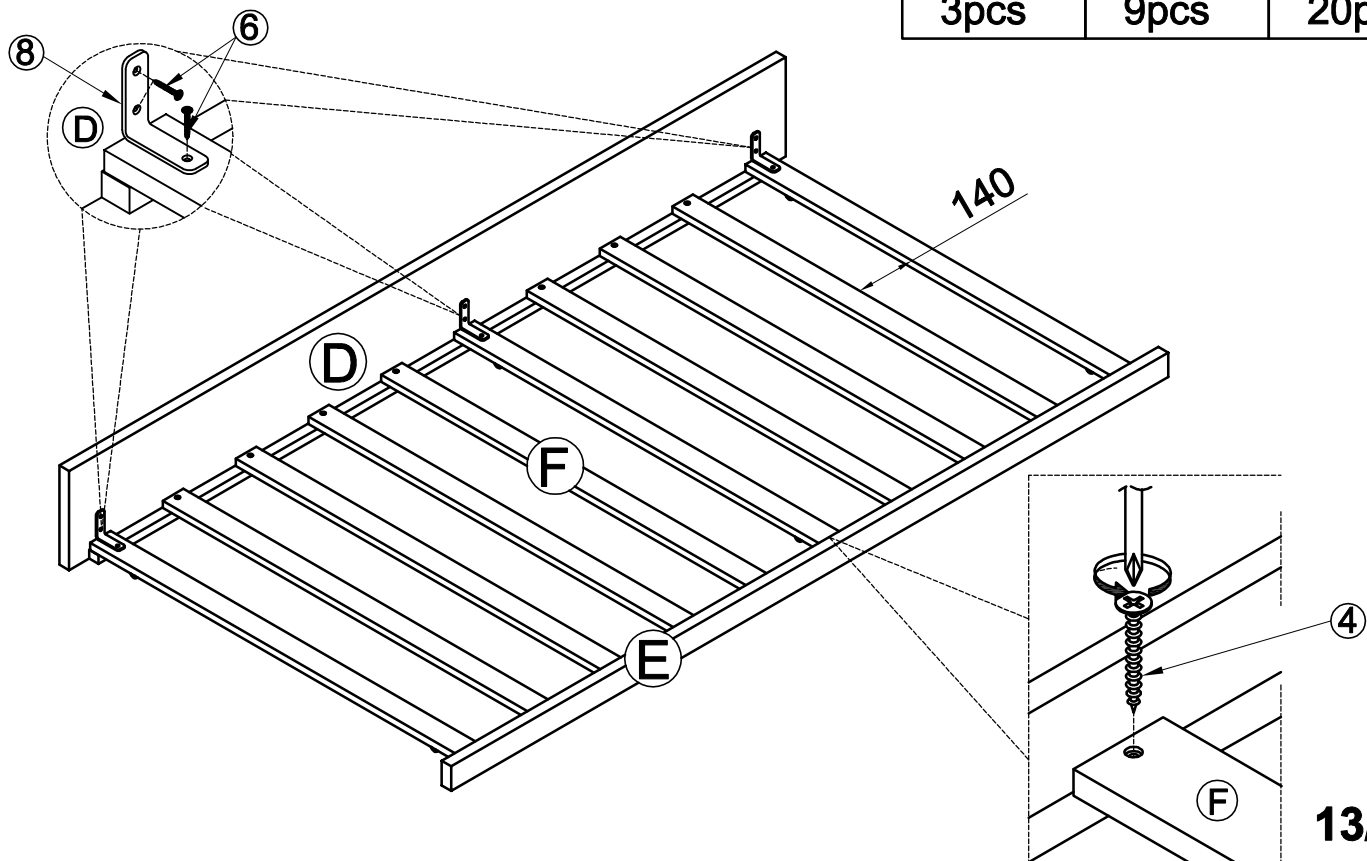
# STEP 8-2: Following below illustration:

-Screw 10 slats F with Front Trundle(D) and Back Trundle(E) using hardware #4.

-Screw Steel Bracket (#7) with Front Trundle(D) and slats F using hardware #6

-Look at detail view for more detail

<div style="text-align: center;">8</div> 	<div style="text-align: center;">6</div> 	<div style="text-align: center;">4</div> 
<div style="text-align: center;">3pcs</div>	<div style="text-align: center;">9pcs</div>	<div style="text-align: center;">20pcs</div>



**STEP 9:** CONGRARULATION. YOU HAVE COMPLETED THE BED. just one more step to push the Under Drawer into it  
position

